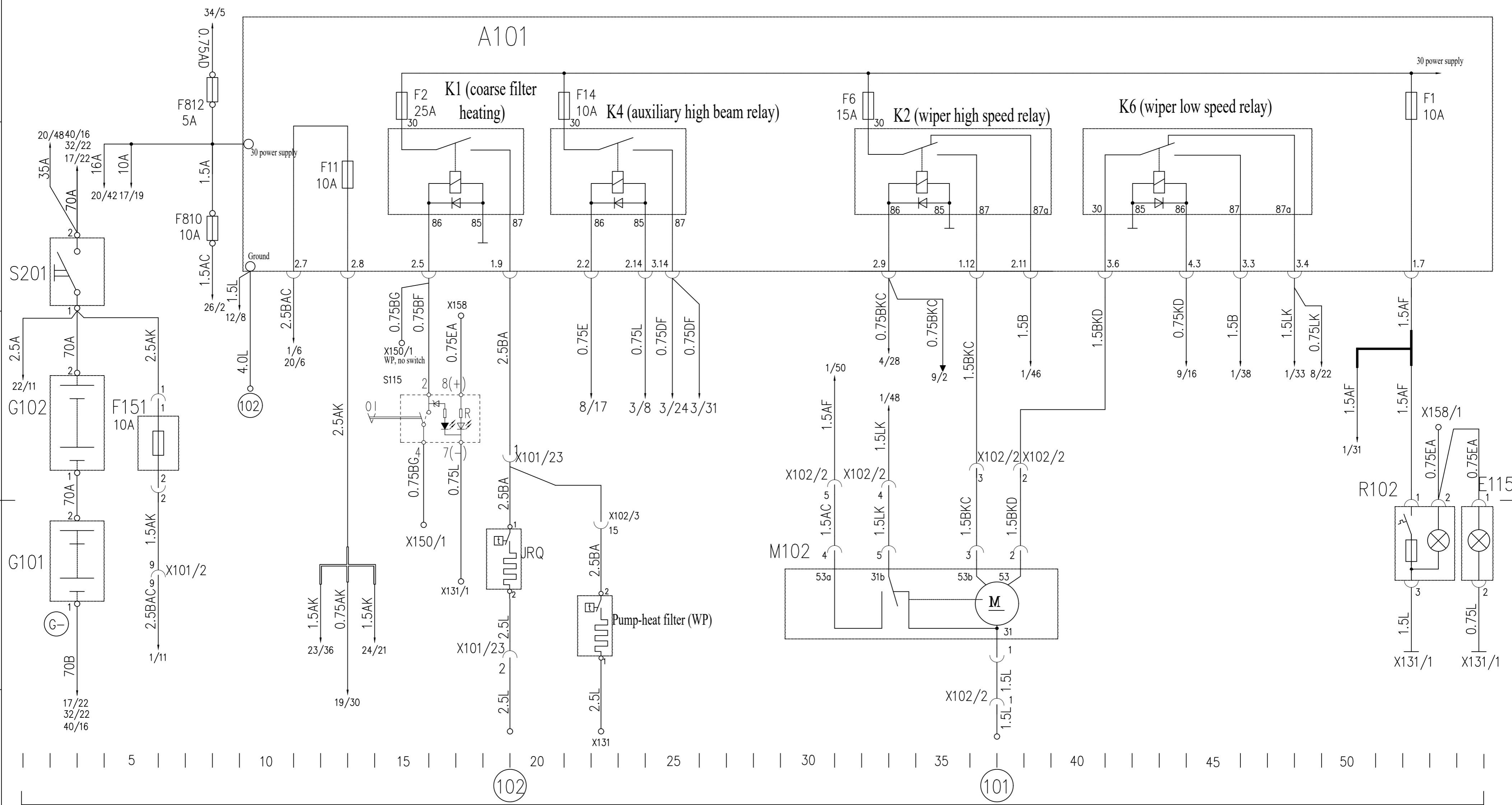


712-99192-1322



A101	Electrical junction box	K2	Wiper high-speed relay	X131	Bonding point of left cowl wire box	E115	Ash tray lamp
G101	Battery I	K4	Auxiliary high beam relay	X158/2	Symbol lighting power splitter	S115	Fuel oil heating switch
G102	Battery II	K6	Wiper low-speed relay	X131/3	Ground wire splitter		
S201	Main mechanical power switch	F1	Cigar lighter, wiper reset fuse	S115	Coarse filter heating switch		
M102	Wiper motor	F2	25A coarse filter heating relay fuse	JRQ	Coarse filter heater		
R102	24V cigar lighter	F6	15A wiper high-speed relay fuse	E115	Left ash tray lighting		
F151	Primary electric fuse	F11	10A constant power fuse	F1	Inverter fuse		
K1	Fuel heating relay	F14	10A auxiliary high beam relay fuse	NBQ	220V inverter		

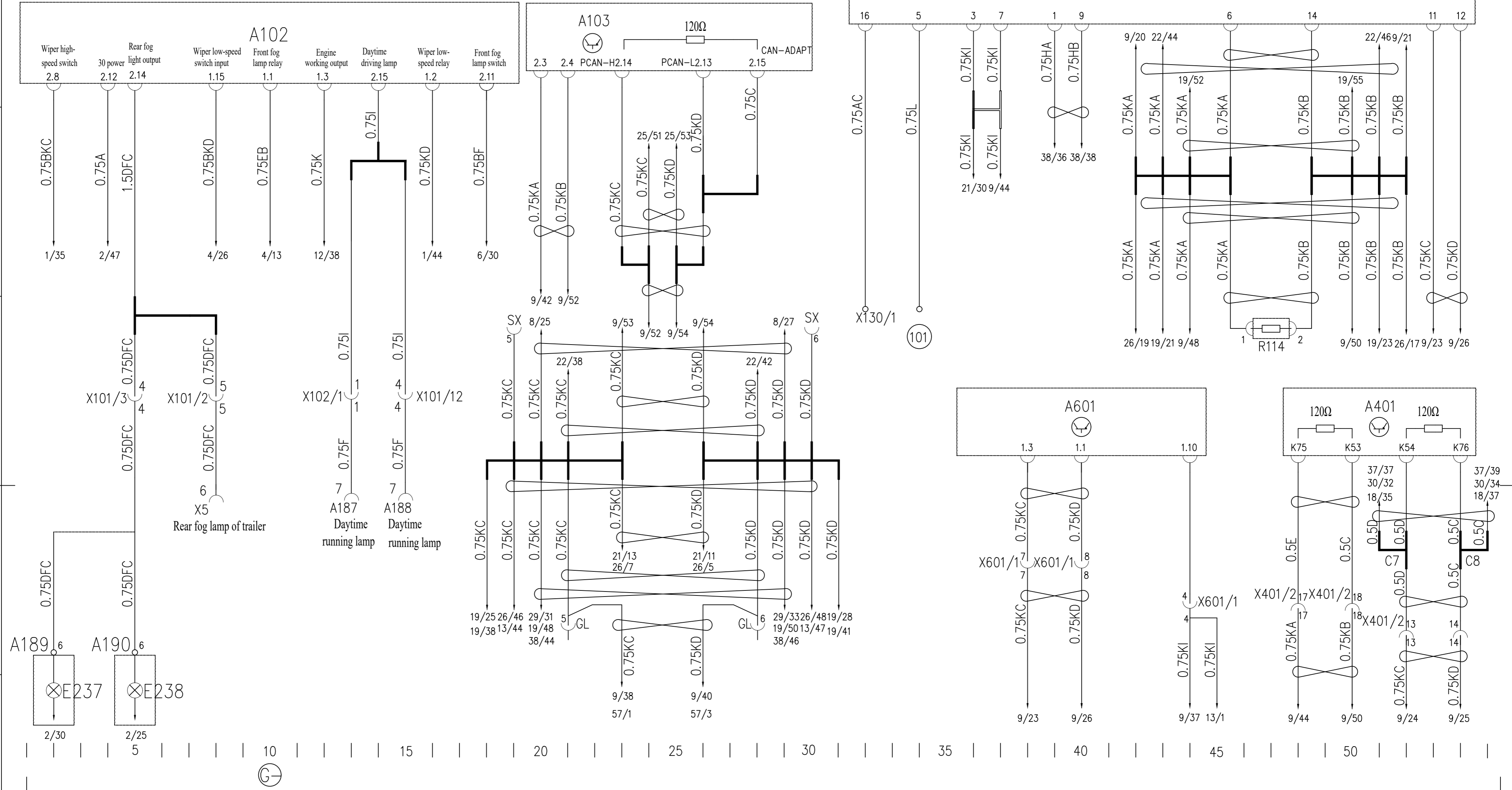
- (101) Instrument-side bonding point
- (102) Bonding point of relay box bracket
- G- Negative electrode of battery
- X150/1 15 electric splitter

Central electrical junction box, power system, wiper motor, cigarette lighter

DSGN		Electrical Schematic Diagram of C7H (Full Engine/NANOBCU)	712-99192-1322	
REWD			Drawing Mark	Qty. Scale
CHKD		Small		
STD.				
Process				Sheet 1 of 53
CTSG				
APPR				

712-99192-1322

Note: When the paper disc recorder MTCO is not loaded, insert the DZ connector.
When loading the paper disc recorder MTCO, disconnect the DZ connector.



A102	NANO controller	A601	ABS controller
A189	Left combination rear tail lamp	E237	Left rear fog light
A190	Right combination rear tail lamp	E238	Right rear fog light
A103	Instrument cluster assembly	ZW	Right turning alarm
XOBD	Diagnostic interface		
R114	Resistor of 120 ohm		
A401	Engine controller		

(101) Driver-side bonding point in cab

NANO controller, right turning alarm, vehicle CAN

DSGN			Electrical Schematic Diagram of C7H (Full Engine/NANOBCU)	712-99192-1322	
REWD				Drawing Mark	Qty.
CHKD				Small	
STD.					
Process				Sheet 9 of 53	
CTSG				China National heavy Duty Truck Group Co., Ltd.	
APPR					

New	MY202011835	Li Tianle	20201217
Mark	No. of Places	File No.	Signature

712-99192-1322

A

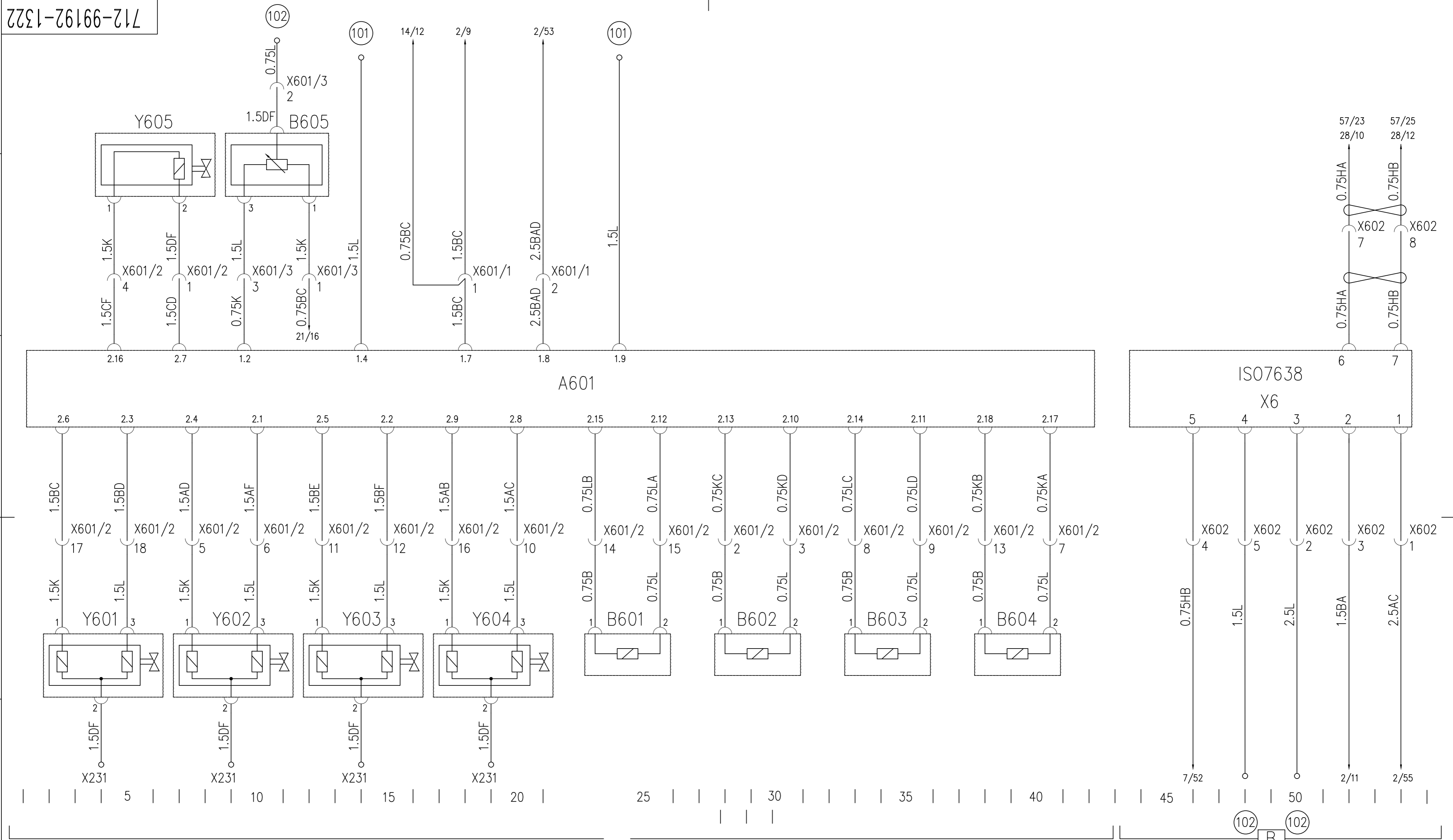
B

C

D

E

F



A601	ABS controller	Y604	Right rear wheel solenoid valve
B601	Left front wheel sensor	Y605	ASR solenoid valve
B602	Right front wheel sensor	X6	ABS 7-hole trailer socket
B603	Left rear wheel sensor	Y601	Left front wheel solenoid valve
B604	Right rear wheel sensor	Y602	Right front wheel solenoid valve
B605	EBL sensor	Y603	Left rear wheel solenoid valve

A

101 Driver-side bonding point in cab

102

Bonding point at co-driver's side in cab

A ABS E-VERSION BASIC 4S/4M WABCO

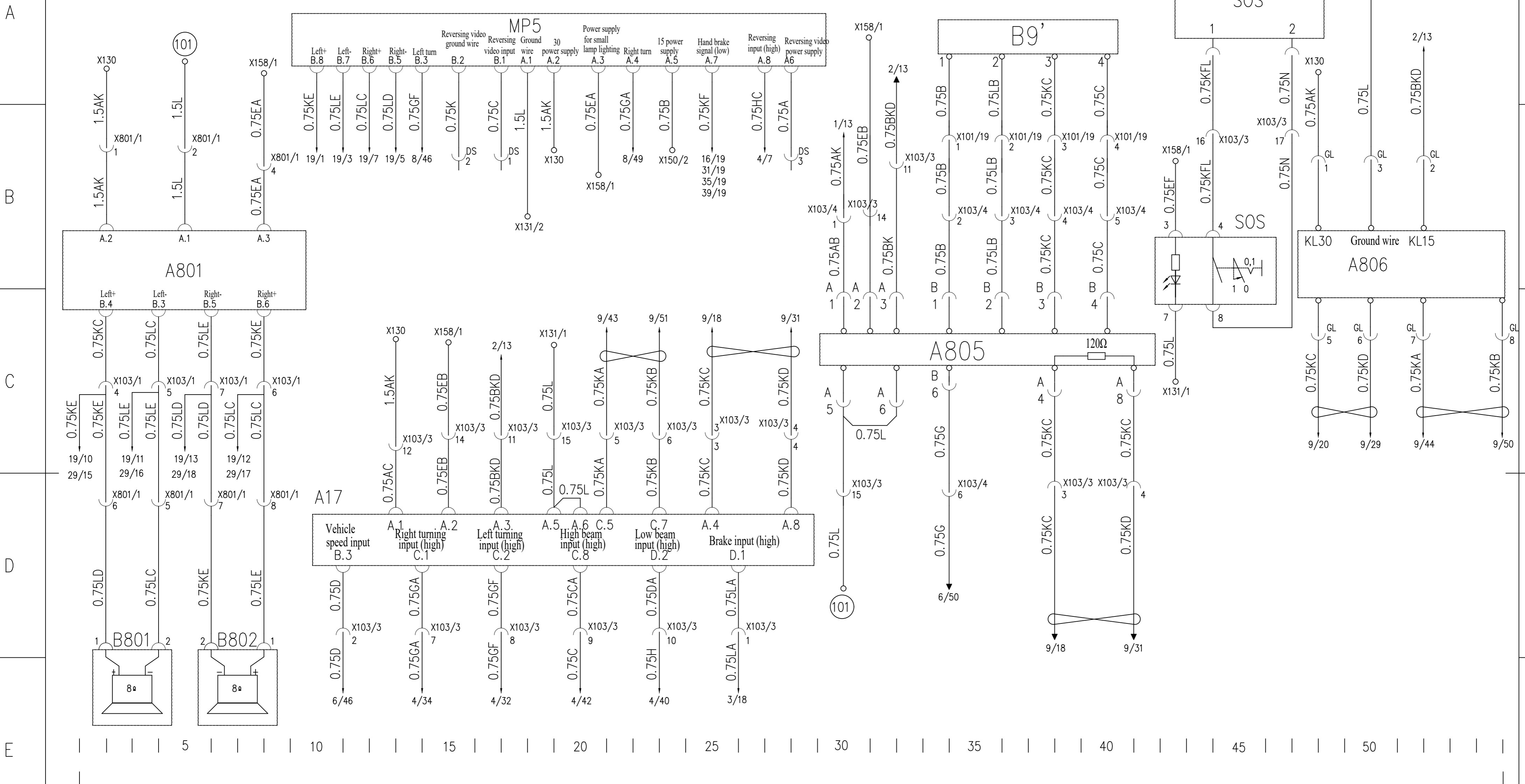
B. Trailer ABS socket

DSGN				Electrical Schematic Diagram of C7H (Full Engine/NANOBCU)	712-99192-1322		
REWD					Drawing Mark	Qty.	Scale
CHKD					Small		
STD.							
Process						Sheet 14 of 53	
CTSG							
APPR							

New	MY202011835	Li Tianle	20201217
Mark	No. of Places	File No.	Signature

China National heavy Duty Truck Group Co., Ltd.

712-99192-1322



A17	Vehicle-mounted monitoring equipment assembly	X240	24V power connector		
A806	On-board monitoring equipment	SOS	Emergency button		
A801	MP3	MP5	Touch screen MP5		
B801	Internal speaker at left door				
B802	Internal speaker at right door				
A805	Paper disc recorder MTCO				
B9'	Intelligent vehicle speed sensor				

- ① Instrument bonding point
- ② Bonding point at co-driver's side in cab

MP3/MP5, MTCO, vehicle-mounted monitoring equipment, SOS switch, 24V power socket
Refrigeration

DSGN	
REWD	
CHKD	
STD.	
Process	
CTSG	
APPR	

Electrical Schematic Diagram of C7H (Full Engine/NANOBCU)

712-99192-1322	
Drawing Mark	Qty.
Small	
Sheet 19 of 53	

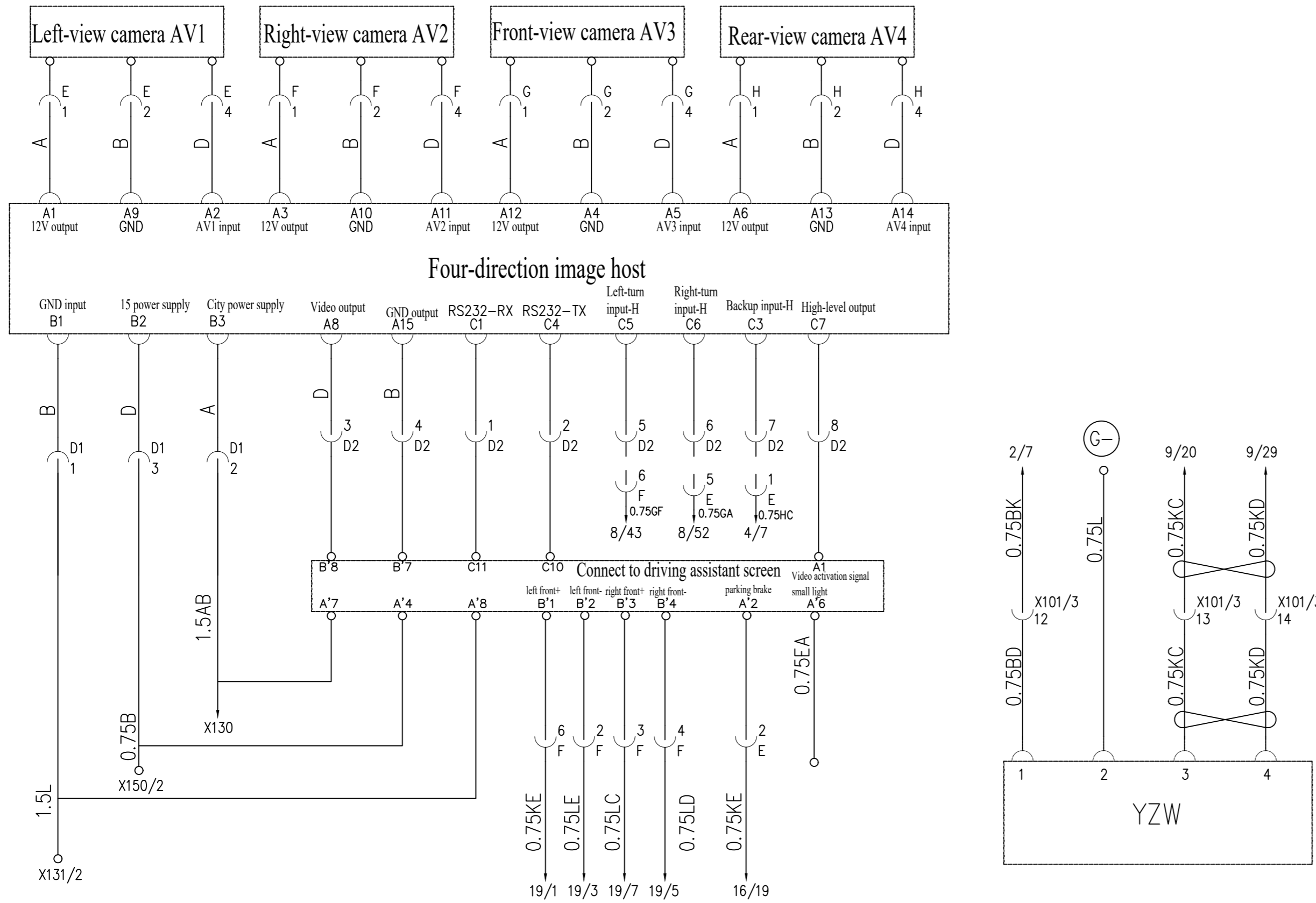
China National heavy Duty Truck Group Co., Ltd.

New	MY202011835	Li Tianle	20201217
Mark	No. of Places	File No.	Signature

F

F

712-99192-1322



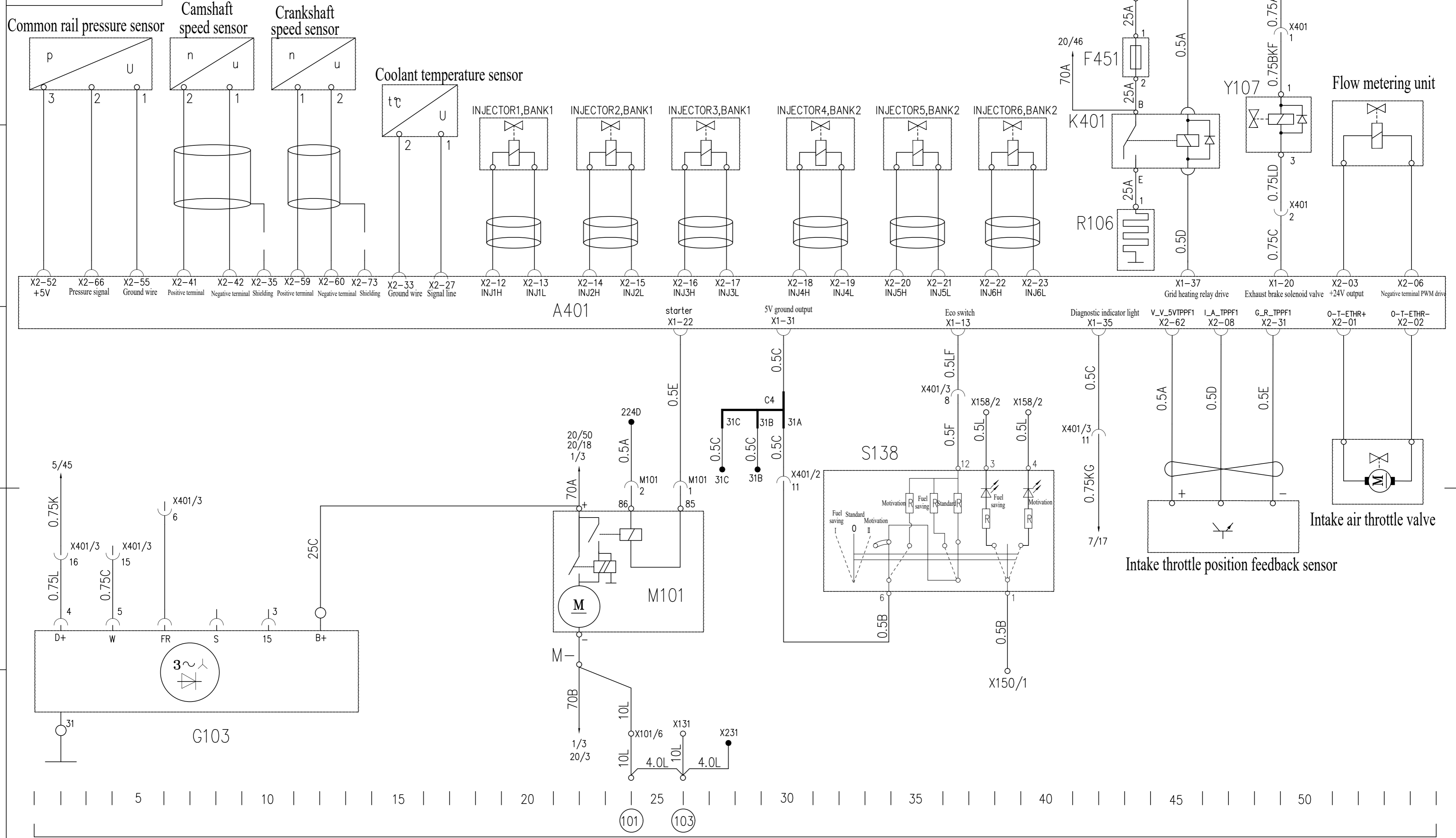
Tetragonal image system, headlight adjustment device, right turn alarm device

MP5	Driving assistant screen				
YZW	Right turn alarm device				
	Four-direction image host				

	DSGN			Electrical Schematic Diagram of C7H (Full Engine/NANOBCU)	712-99192-1322	
	REWD				Drawing Mark	Qty.
	CHKD			Small		
	STD.					
	Process					Sheet 29 of 53
	CTSG					
	APPR					

New	MY202011835	Li Tianle	20201217
Mark	No. of Places	File No.	Signature

712-99192-1322



A401	Engine ECU	R106	Preheater			
F451	Preheat 200A fuse	Y107	Exhaust brake solenoid valve			
M101	Starter	S138	Fuel saving switch			
G103	Alternator					
B269	Ambient temperature sensor					
K401	Preheating relay					

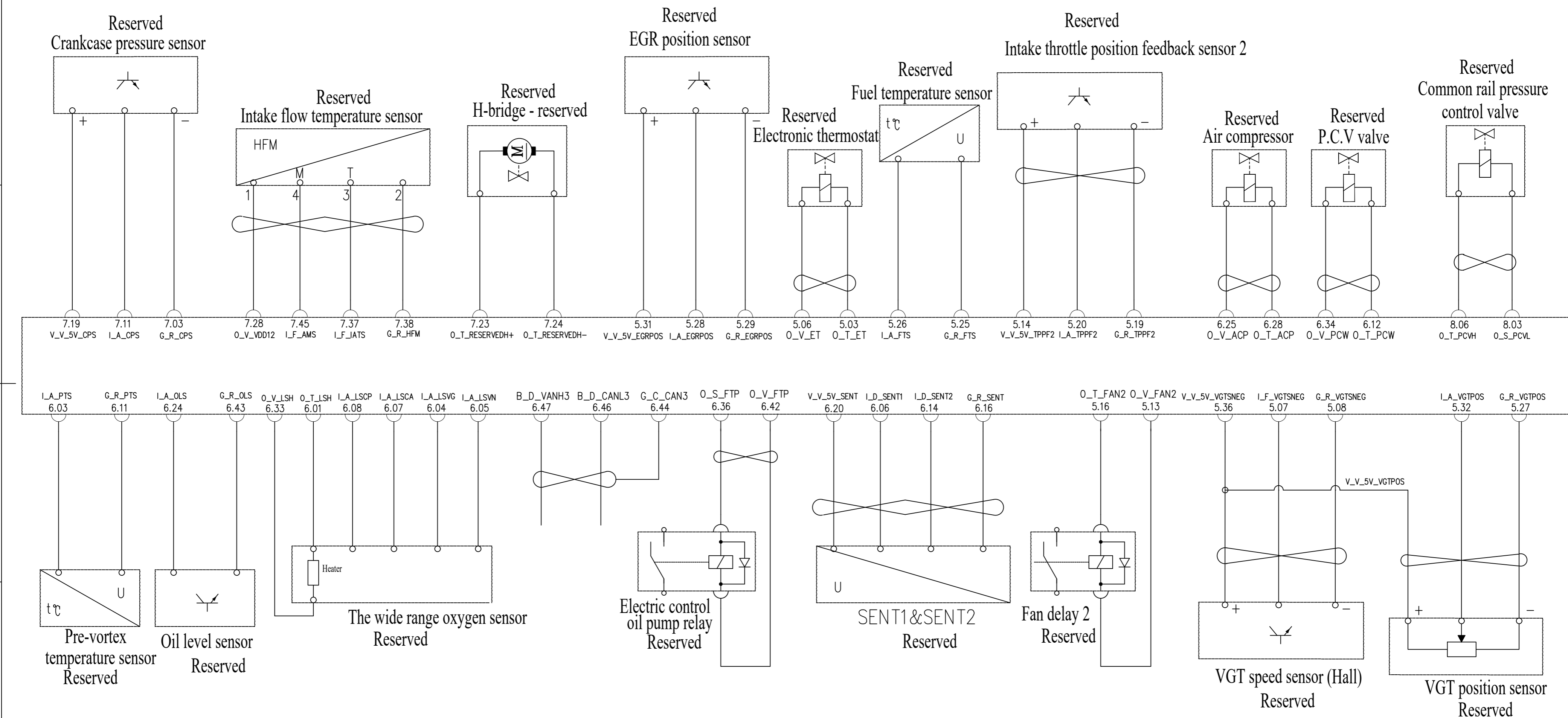
- (101) Driver-side bonding point in cab
- (102) Bonding point at co-driver's side in cab

Engine ECU peripheral circuit - Weichai national standard V

DSGN				Electrical Schematic Diagram of C7H (Full Engine/NANOBCU)	712-99192-1322 Drawing Mark Qty. Scale Small
REWD					
CHKD					
STD.					
Process					
CTSG					
APPR					Sheet 36 of 53

New	MY202011835	Li Tianle	20201217
Mark	No. of Places	File No.	Signature

712-99192-1322



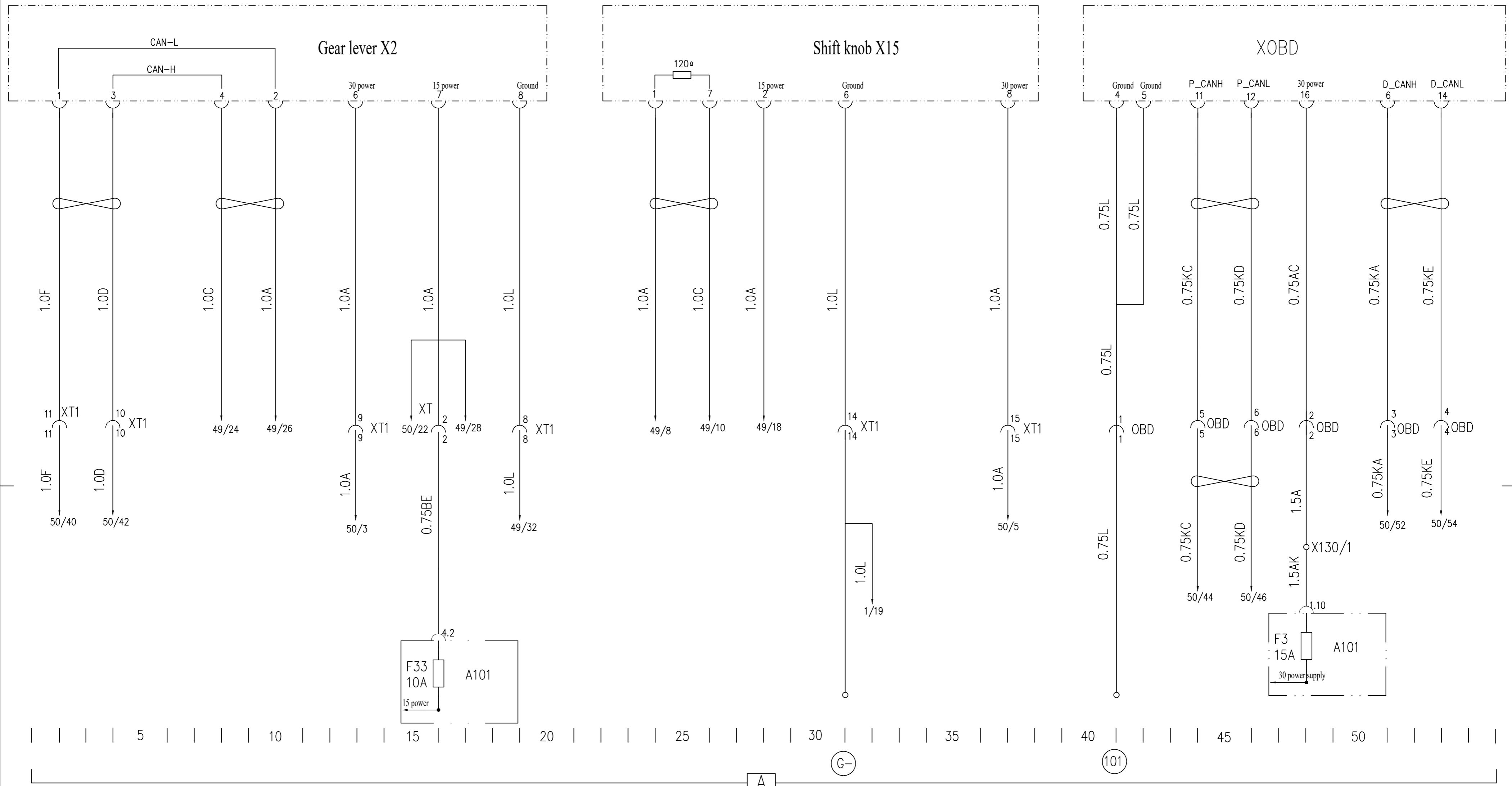
Engine ECU peripheral circuit - Weichai national standard VI

Mark	No. of Places	File No.	Signature	Date
New		MY202011835	Li Tianle	20201217

DSGN	
REWD	
CHKD	
STD.	
Process	
CTSG	
APPR	

Electrical Schematic Diagram of C7H (Full Engine/NANOBCU)

712-99192-1322		
Drawing Mark	Qty.	Scale
Small		
Sheet 43 of 53		
China National heavy Duty Truck Group Co., Ltd.		



X2	Gear lever				
X15	Shift knob				
XOBD	ZF-AMT diagnostic interface				
A101	Complete vehicle electrical junction box				

(G-) Negative electrode of battery

(101) Instrument-side bonding point

X130/1 Instrument 30 electric splitter

	DSGN		
	REWD		
	CHKD		
	STD.		
	Process		
	CTSG		
	APPR		

Electrical Schematic Diagram of C7H (Full Engine/NANOBCU)

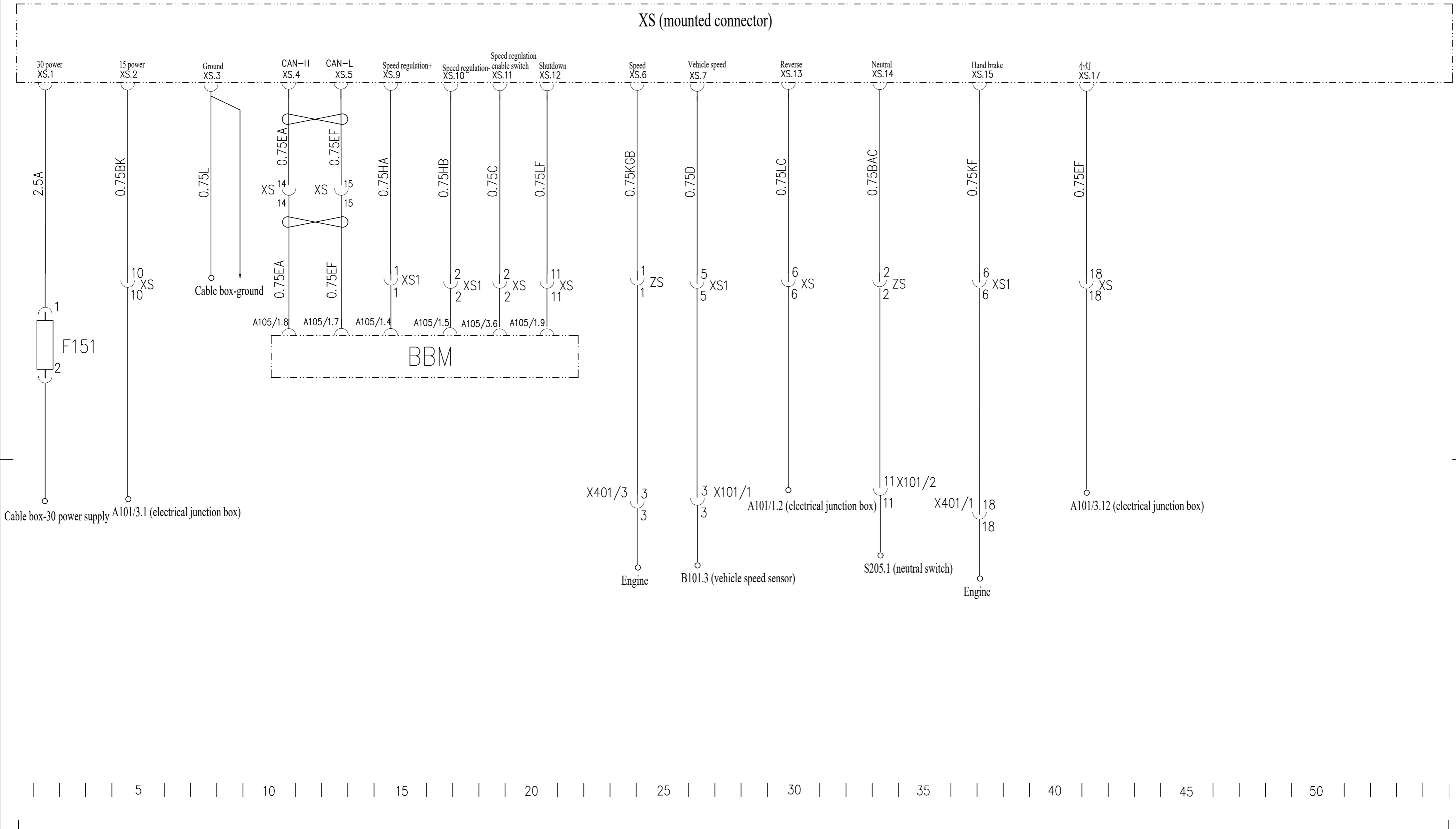
712-99192-1322

Drawing Mark Qty. Scale

Page(s) in total 53 Page 49

Mark	No. of Places	File No.	Signature	Date

712-99192-1322



Mark	No. of Places	File No.	Signature	Date

BBM	Mounted controller				

	DSGN		
	REWD		
	CHKD		
	STD.		
	Process		
	CTSG		
	APPR		

Electrical Schematic Diagram of C7H (Full Engine/NANOBCU)

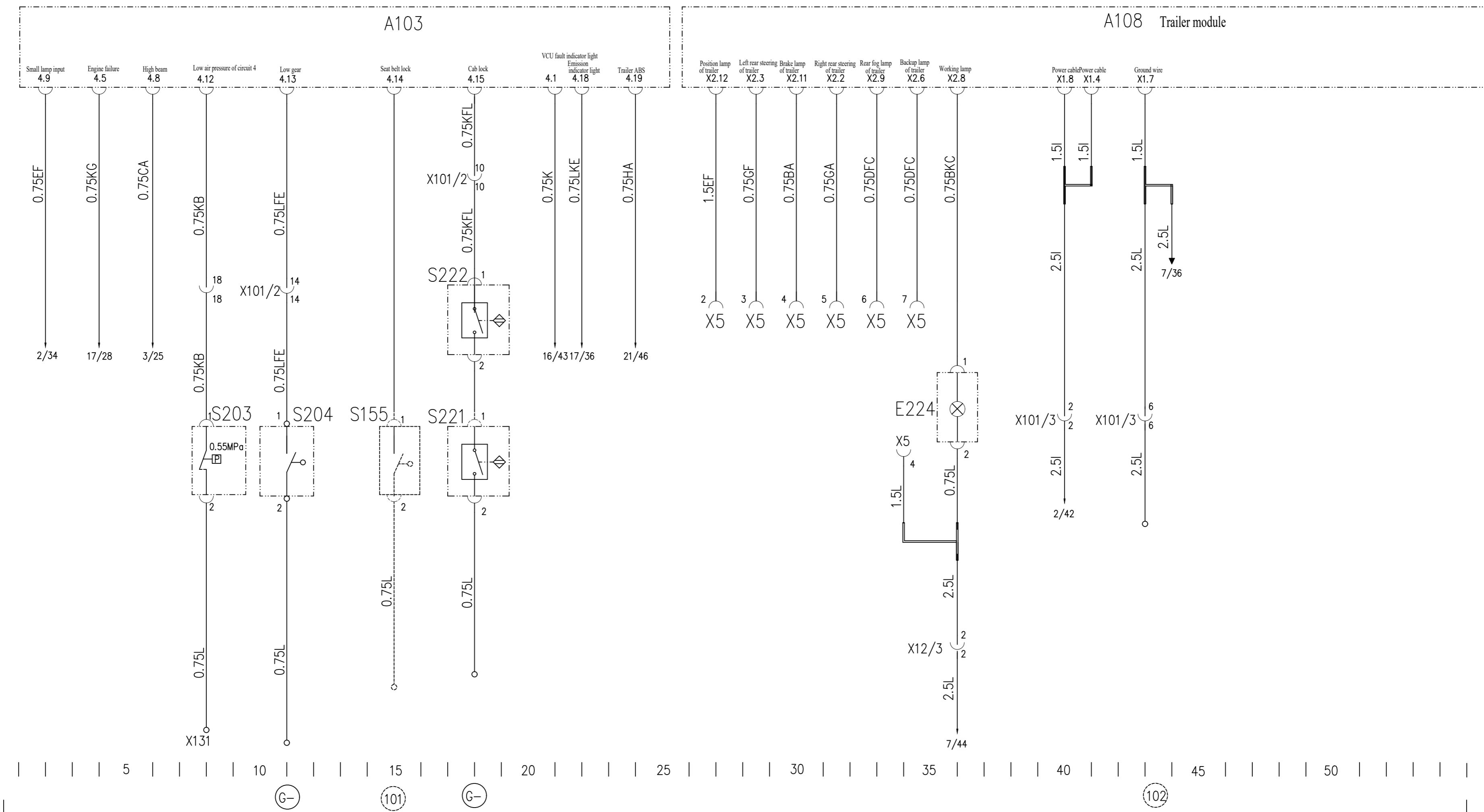
712-99192-1322

Drawing Mark	Qty.	Scale

Page(s) in total: 60

China National heavy Duty Truck Group Co., Ltd.

Electrical Schematic Diagram of SITRAK-C7H Vehicles (Nano+TFT) (Ver. 2022-01)-7



A103	Instrument cluster assembly	S222	Right cab lock signal switch		
A108	Trailer module	S221	Left cab lock signal switch		
S155	Lock signal switch of seat belt	E224	Working lamp		
S203	Signal switch of brake circuit 4	X131	Bonding point of left wire box		
S204	Low gear signal switch of transmission	X5	Trailer socket		

G- Negative electrode of battery
 Instrument cluster assembly, signal switch of brake circuit 4, low gear signal switch, seat belt/cab lock signal switch, trailer module

**This electrical schematic diagram shows the technical status of this model as of July 30, 2022.
 Subject to change without prior notice.**

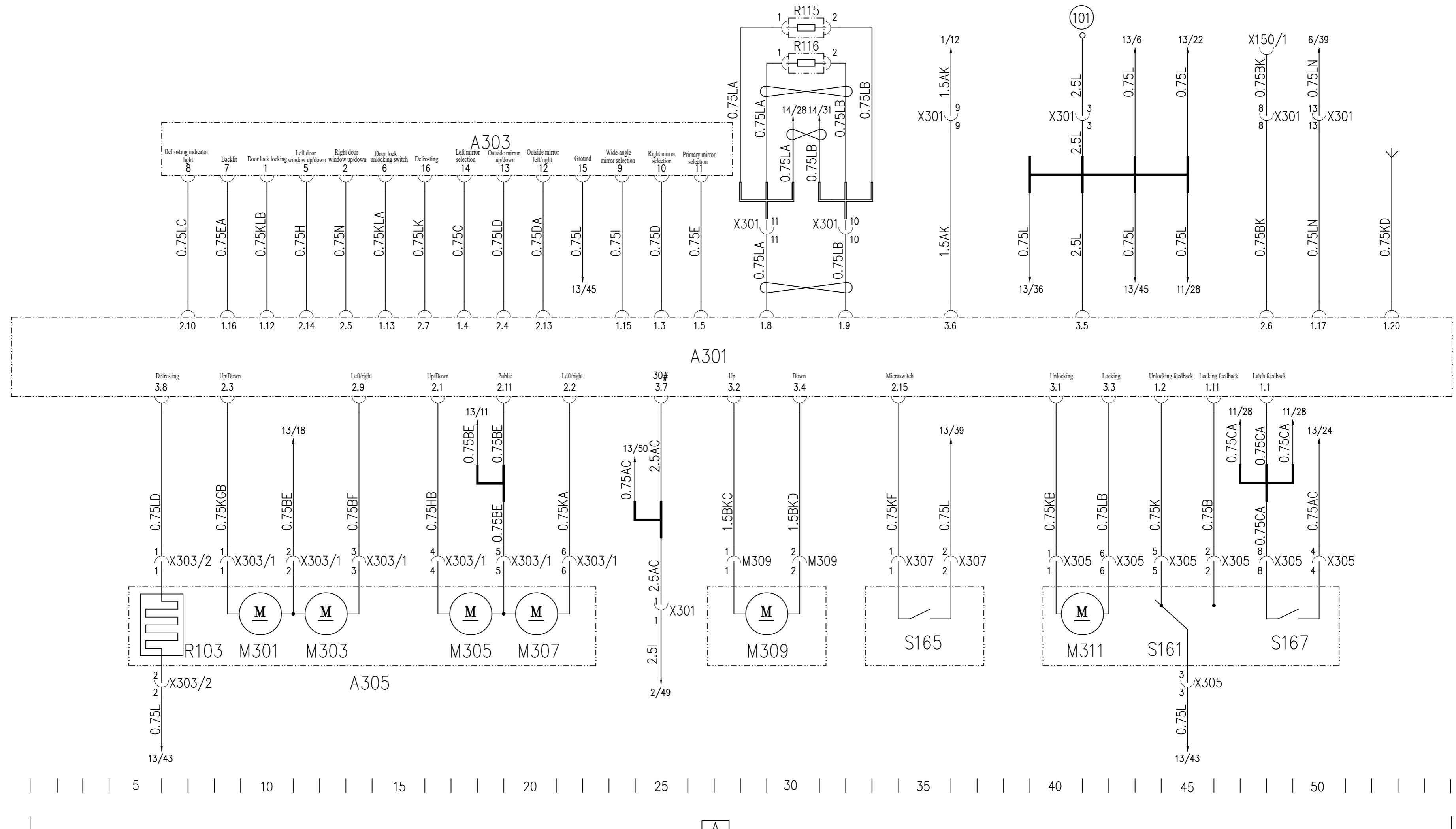
No. of Mark	File No.	Signature	Date

DSGN			
REWD			
CHKD			
STD.			
Process			
CTSG			
APPR			

Drawing Mark	Qty.	Scale
Trial	Small	Finished
page(s) in total		Page

China National heavy Duty Truck Group Co., Ltd.

Electrical Schematic Diagram of SITRAK-C7H Vehicles (Nano+TFT) (Ver. 2022-01)-13



A301	Door control module at driver's side	M303	Left/right moving motor of wide-angle mirror at driver's side
A303	Door control operation panel at driver's side	M305	Up/down moving motor of outside mirror at driver's side
A305	Outside mirror at driver's side	M307	Left/right moving motor of outside mirror at driver's side
S161	Unlock/lock switch of operation panel at driver's side	M309	Up/down motor of door window at driver's side
S165	Key locking signal switch at driver's side	M311	Door lock motor at driver's side
S167	Latch feedback switch at driver's side	R103	Defroster of outside mirror at driver's side
M301	Up/down moving motor of wide-angle mirror at driver's side		

(101) Driver-side bonding point in cab

Peripheral circuit of door control module at driver's side

This electrical schematic diagram shows the technical status of this model as of July 30, 2022.
Subject to change without prior notice.

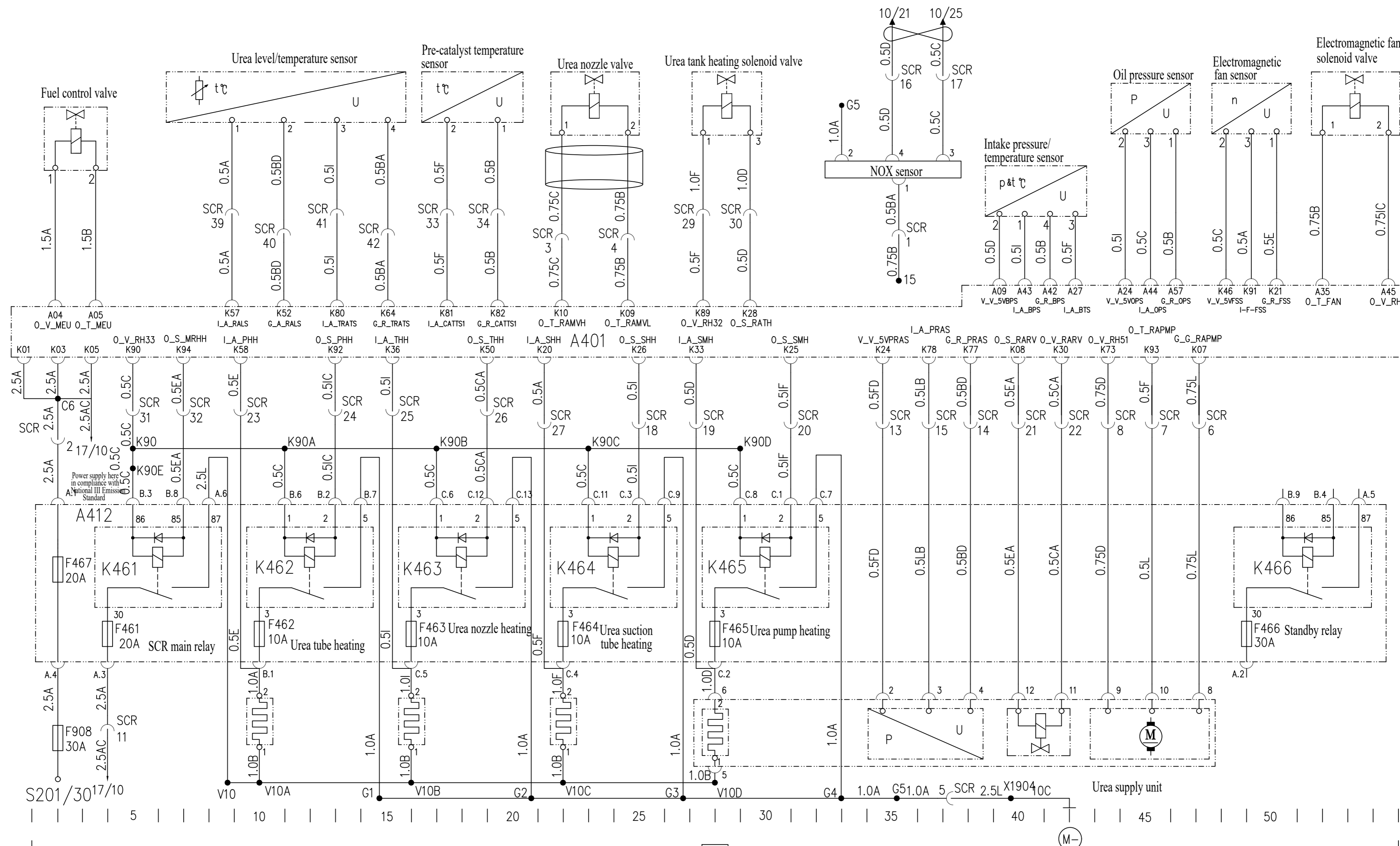
Mark	No. of Pieces	File No.	Signature	Date

DSGN			
REWD			
CHKD			
STD.			
Process			
CTSG			
APPR			

Drawing Mark	Qty.	Scale
Trial	Small	Finished
Page(s) in total	Page	

China National heavy Duty Truck Group Co., Ltd.

Electrical Schematic Diagram of SITRAK-C7H Vehicles (Nano+TFT) (Ver. 2022-01)-18



A401	Engine ECU	R106	Preheater	INJ23	#6 fuel injector	F466	Standby fuse	K465	Urea pump heating relay
F451	Preheating fuse	INJ11	#1 fuel injector	F461	SCR main relay fuse	F907	ECU-30 power fuse	K466	Standby relay
K451	Preheating relay	INJ12	#2 fuel injector	F462	Urea tube heating fuse	K461	SCR main relay	F908	Primary electric fuse
Y107	Exhaust brake solenoid valve	INJ13	#3 fuel injector	F463	Urea nozzle heating fuse	K462	Urea tube heating relay		
B269	Ambient temperature sensor	INJ21	#4 fuel injector	F464	Urea suction tube heating fuse	K463	Urea nozzle heating relay		
A412	Electrical junction box on chassis	INJ22	#5 fuel injector	F465	Urea pump heating fuse	K464	Urea suction tube heating relay		

(M-) Bonding point of engine

Peripheral circuit of engine ECU

This electrical schematic diagram shows the technical status of this model as of July 30, 2022.
Subject to change without prior notice.

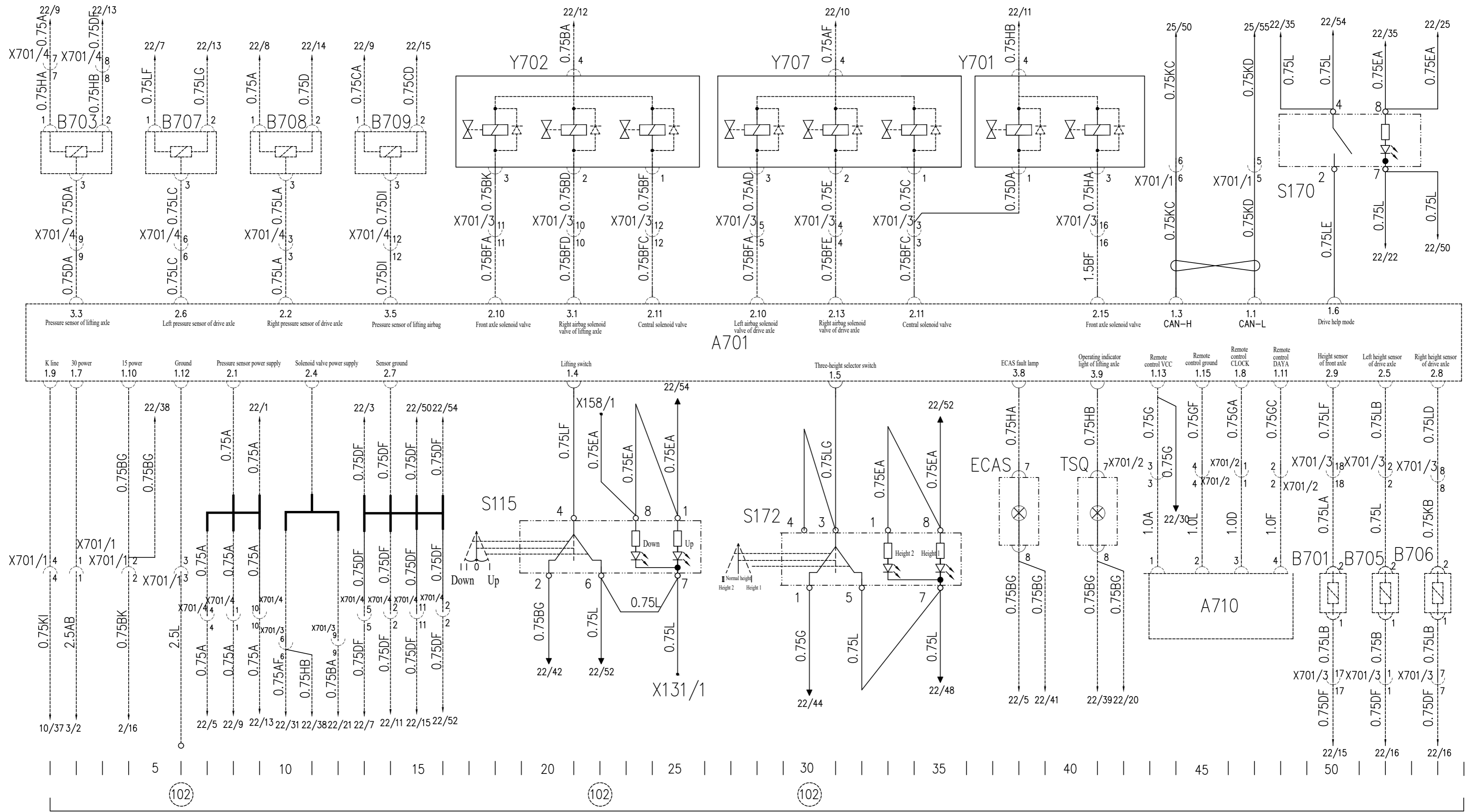
Mark	No. of Pages	File No.	Signature	Date

DSGN				
REWD				
CHKD				
STD.				
Process				
CTSG				
APPR				

Drawing Mark	Qty.	Scale
Trial	Small	Finished
page(s) in total	Page	

China National heavy Duty Truck Group Co., Ltd.

Electrical Schematic Diagram of SITRAK-C7H Vehicles (Nano+TFT) (Ver. 2022-01)-22



A701	ECAS controller	B701	Height sensor of front axle	B709	Main airbag pressure sensor of lifting axle
A710	ECAS remote control	B703	Pressure sensor of lifting shaft	Y701	Airbag solenoid valve of front axle
S115	Lifting switch of lifting shaft	B705	Left height & pressure sensor of drive axle	Y702	Main solenoid valve of lifting axle
S172	Three-height selector switch	B706	Right height & pressure sensor of drive axle	Y707	Solenoid valve of drive axle
S170	Drive help switch	B707	Left pressure sensor of drive axle	TSQ	Lifting axle indicator light
ECAS	ECAS fault lamp	B708	Right pressure sensor of drive axle		

ECAS BASIC 6x2 DA+LA

⑩ Bonding point at co-driver's side in cab

This electrical schematic diagram shows the technical status of this model as of July 30, 2022. Subject to change without prior notice.

Mark	No. of pieces	File No.	Signature	Date

DSGN			
REWD			
CHKD			
STD.			
Process			
CTSG			
APPR			

Drawing Mark	Qty.	Scale
Trial	Small	Finished
page(s) in total		Page
China National heavy Duty Truck Group Co., Ltd.		