

BEFORE USING THIS PUBLICATION

jlrext.com

HEALTH AND SAFETY

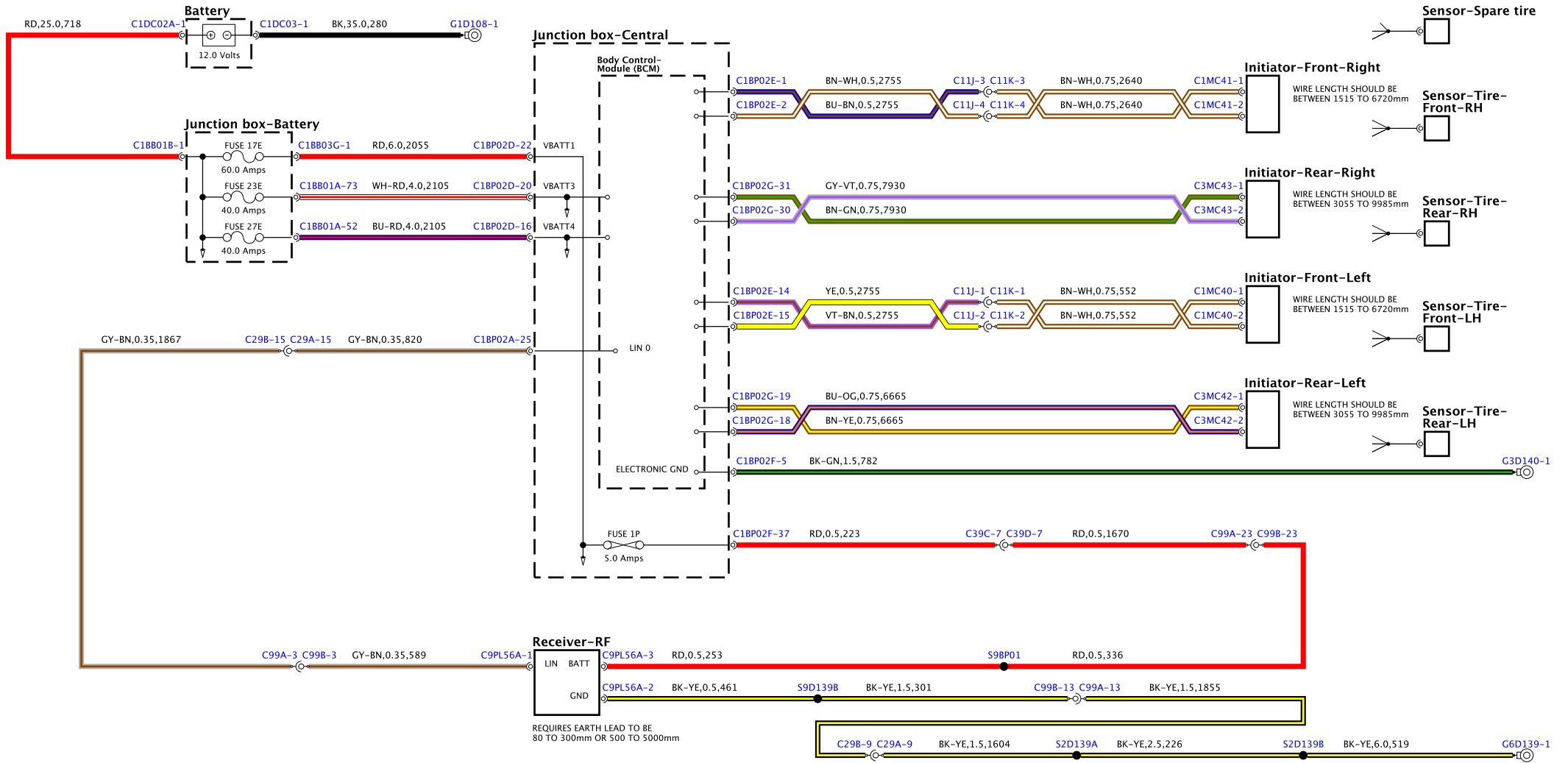
Always follow health and safety guidelines, specifically the Electrical Precautions detailed in the Workshop Manual.

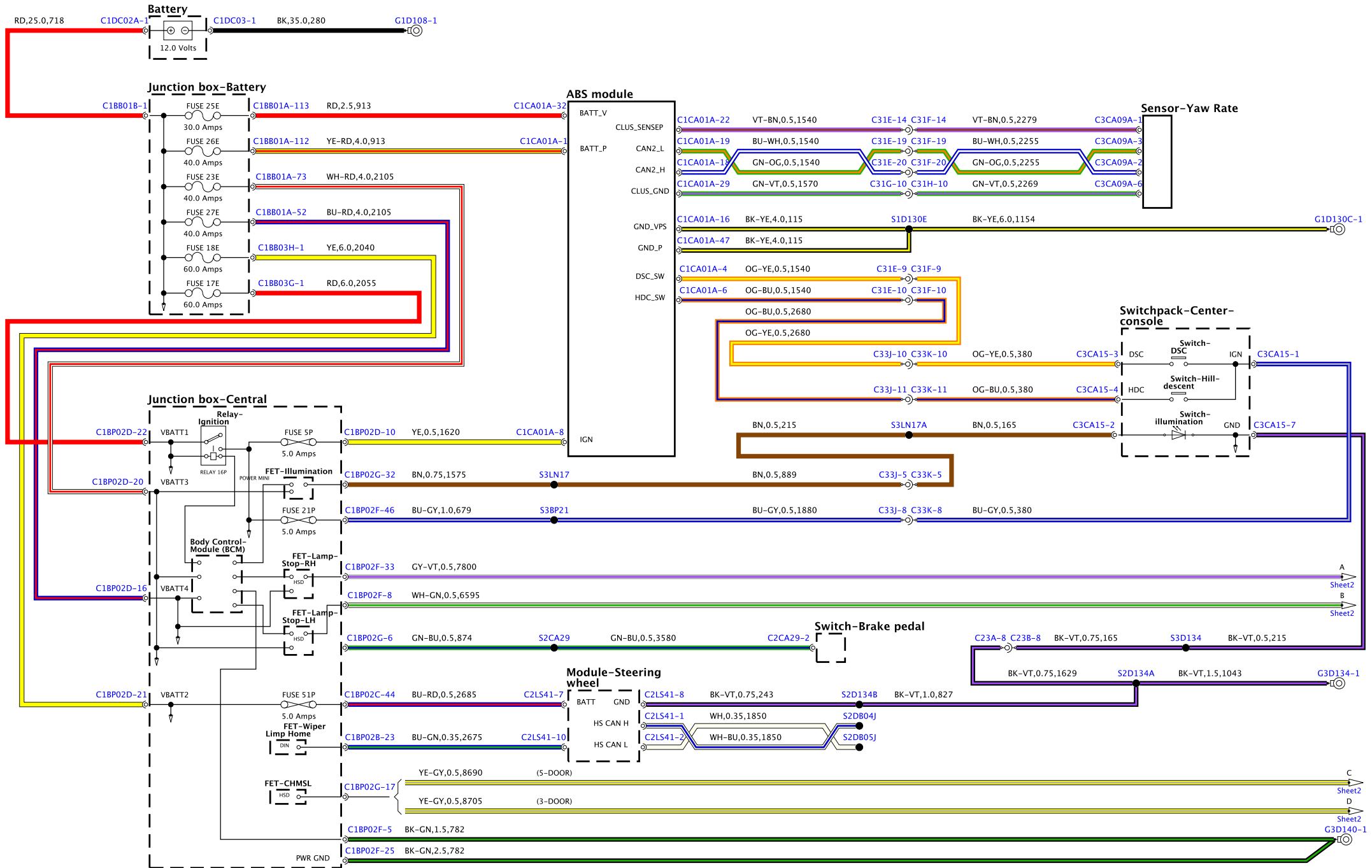
Important

The information provided in this publication is for use only by competent, qualified auto-electricians. Good product knowledge is assumed, as well as the ability to access and use recommended test equipment and other reference material provided.

Test equipment and other reference material

The information in this publication should be used in conjunction with the recommended test equipment; refer to Workshop Manual. Other reference material includes: Electrical Revision Documents (ERD), Technical Service Bulletins (TSB) and the Workshop Manual.

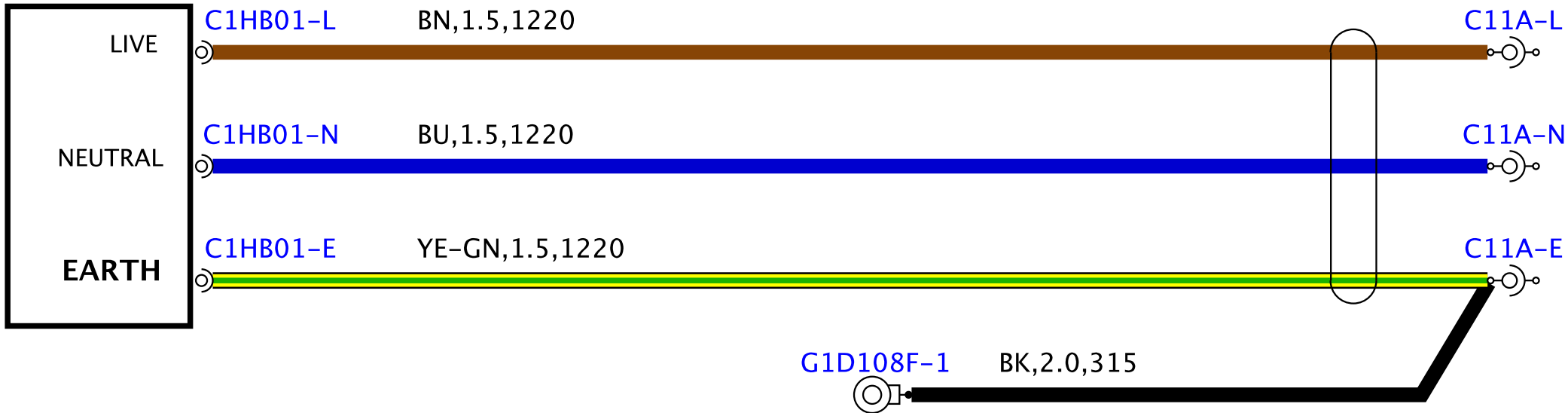


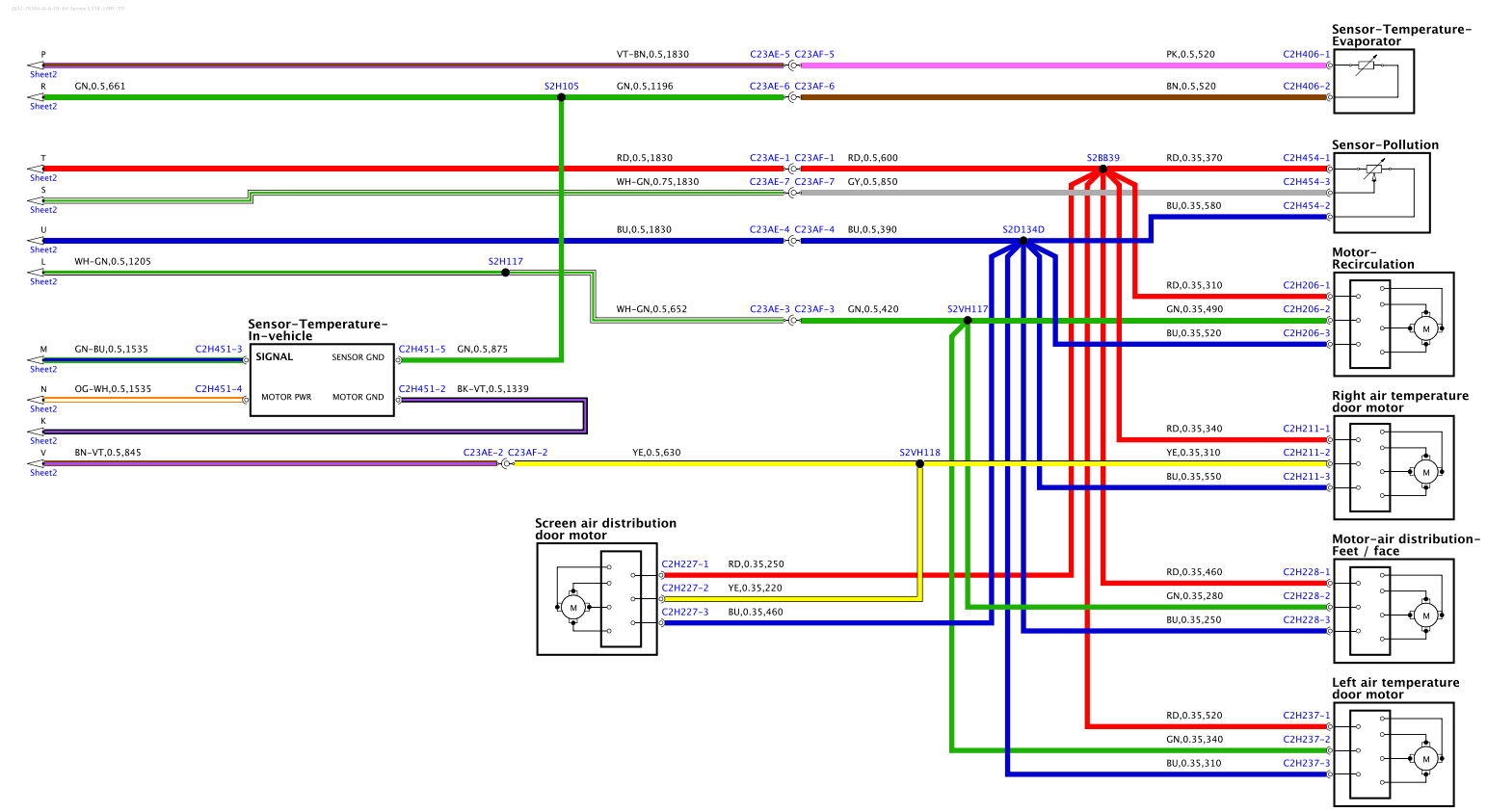


A
Sheet2
B
Sheet2

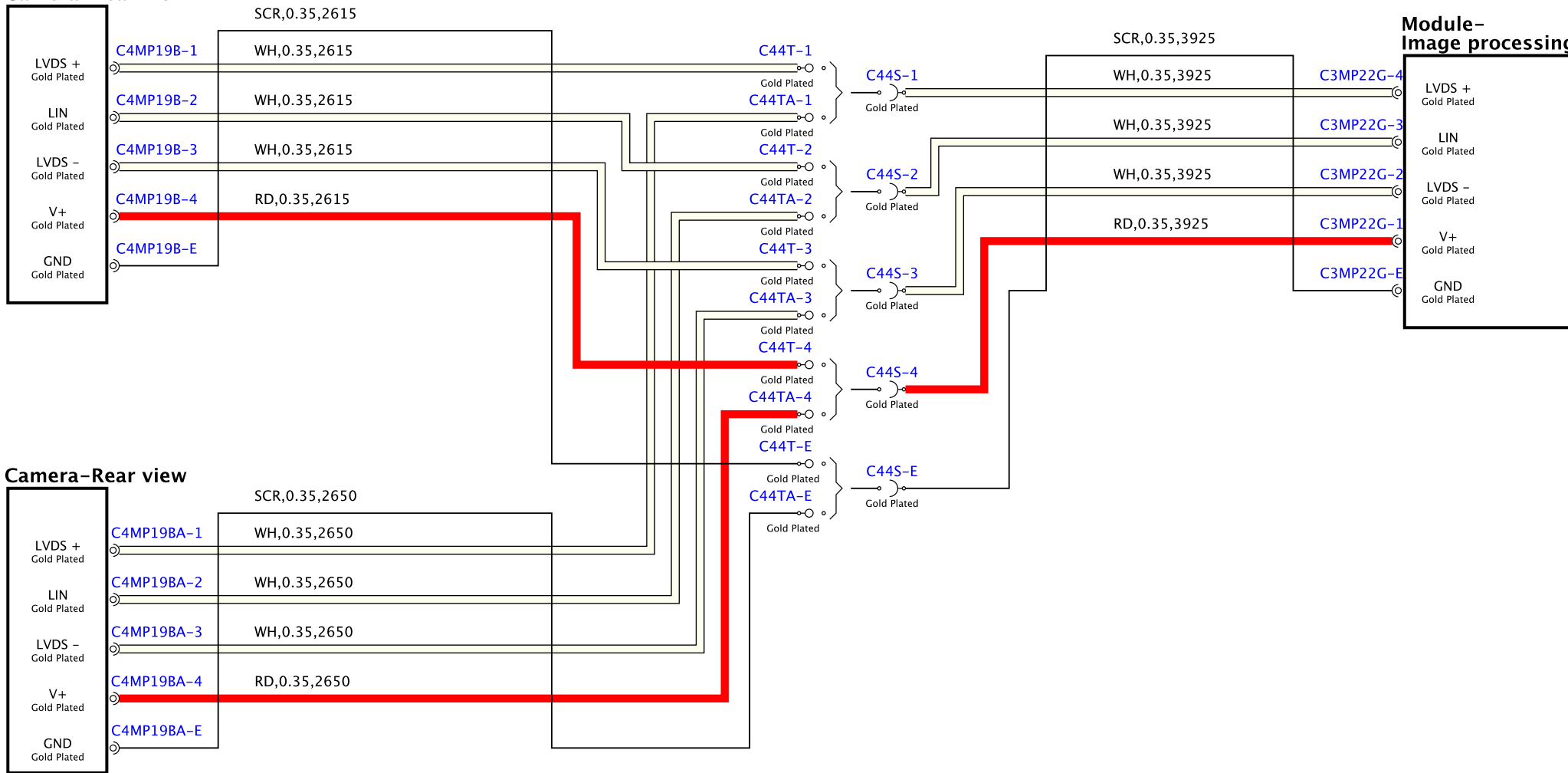
C
Sheet2
D
Sheet2
G3D140-1

Heater-Block

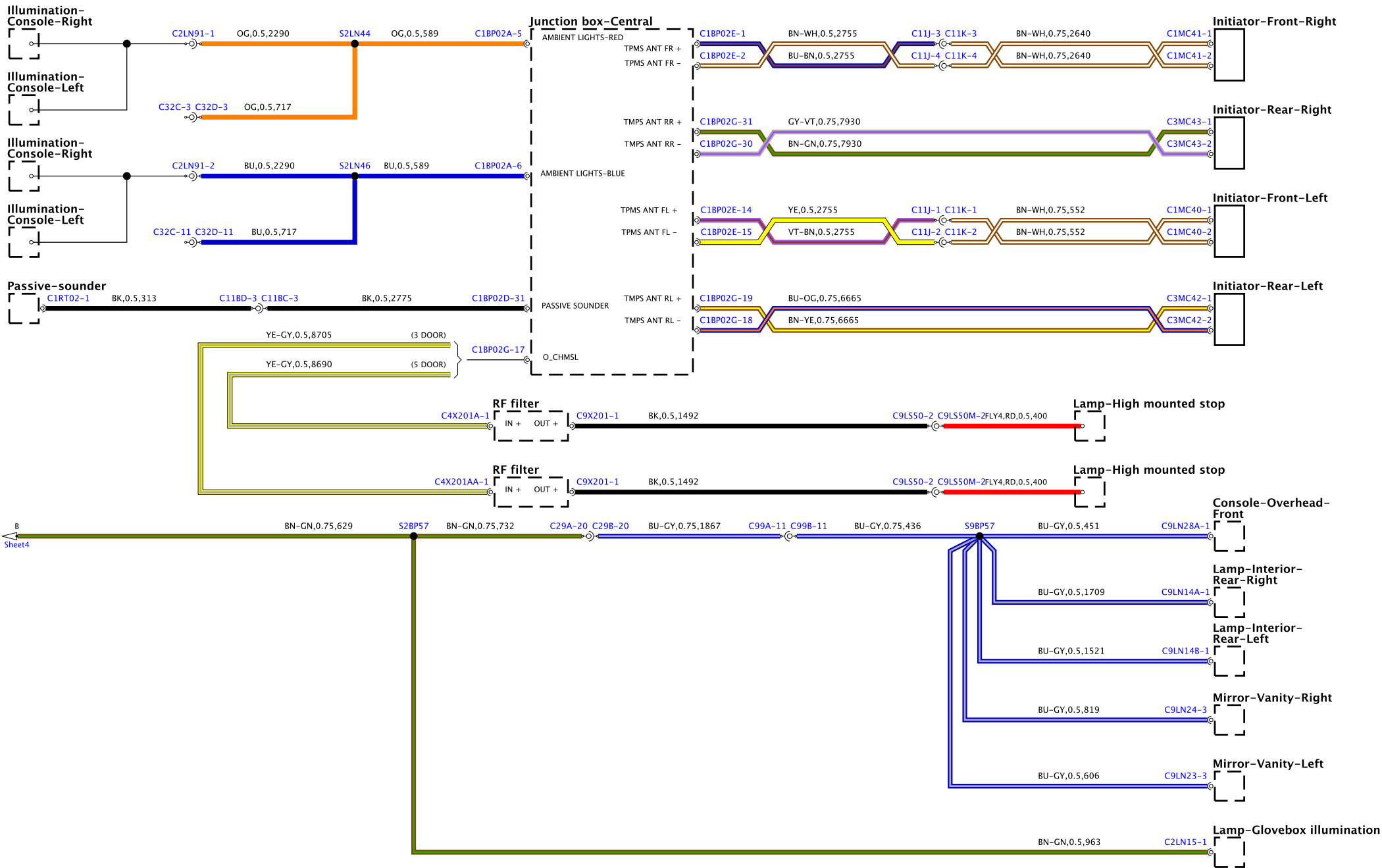


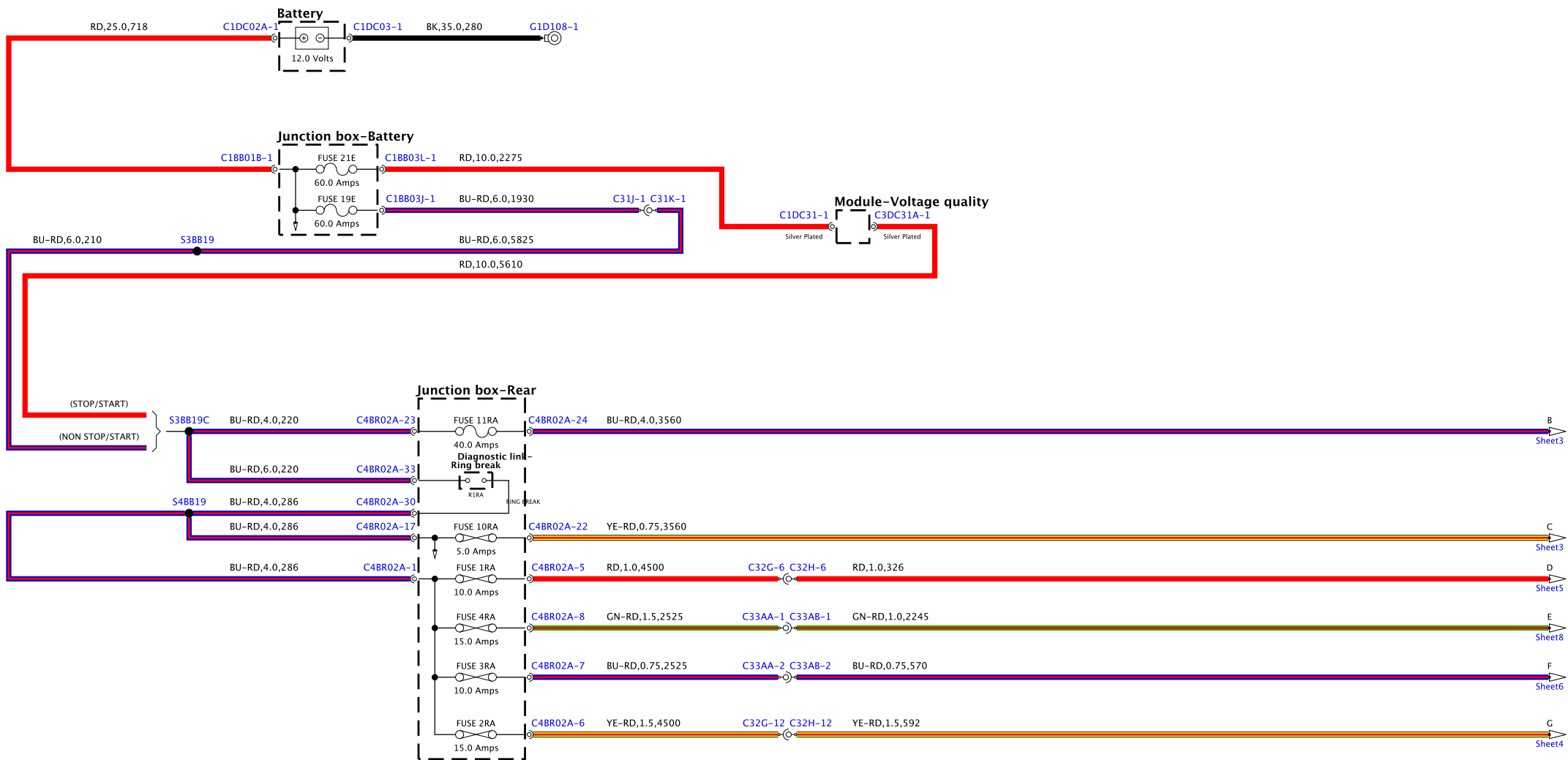


Camera-Rear view



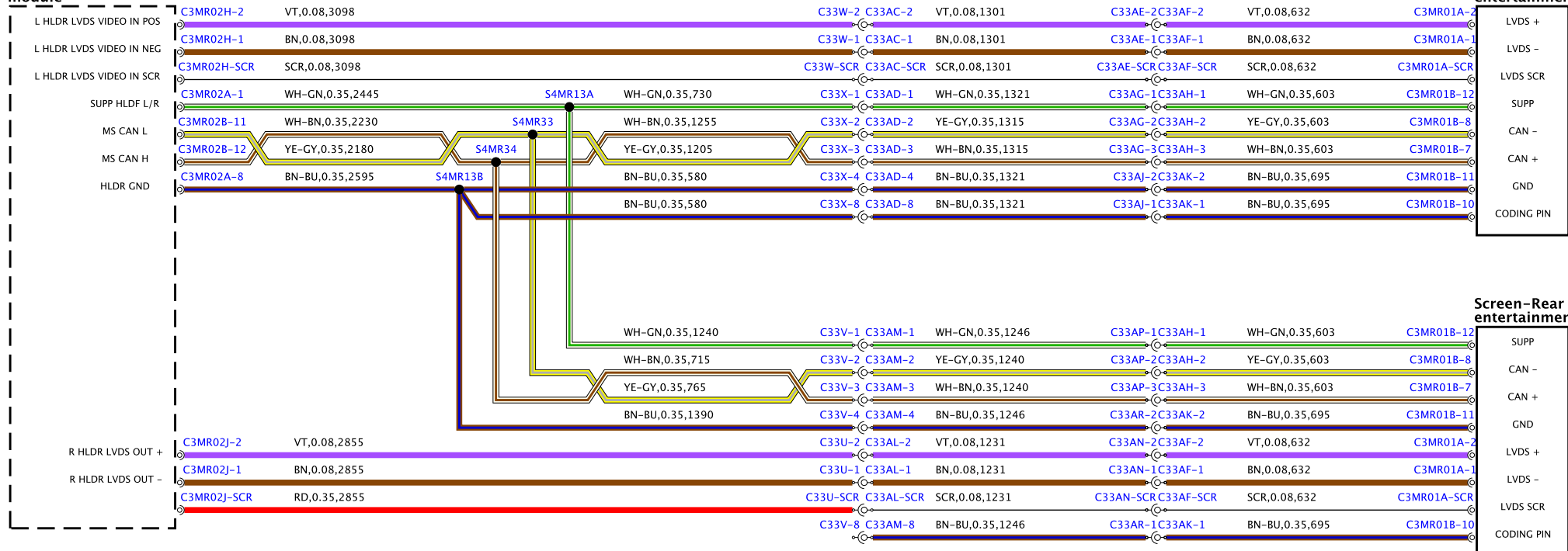
032-70010-0-A-12-12-Service (1338-13M)-IT





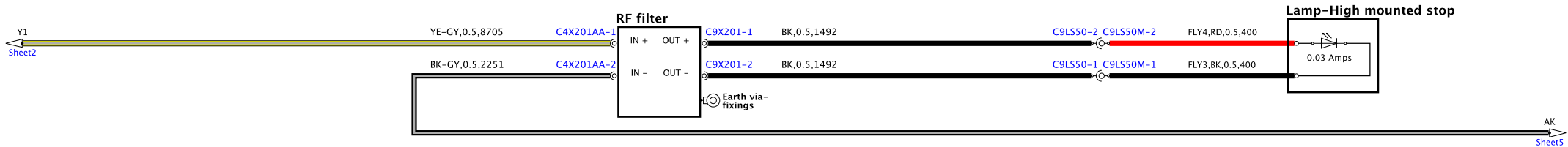
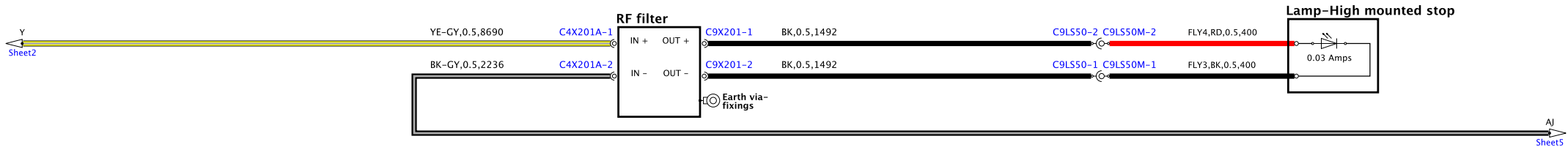
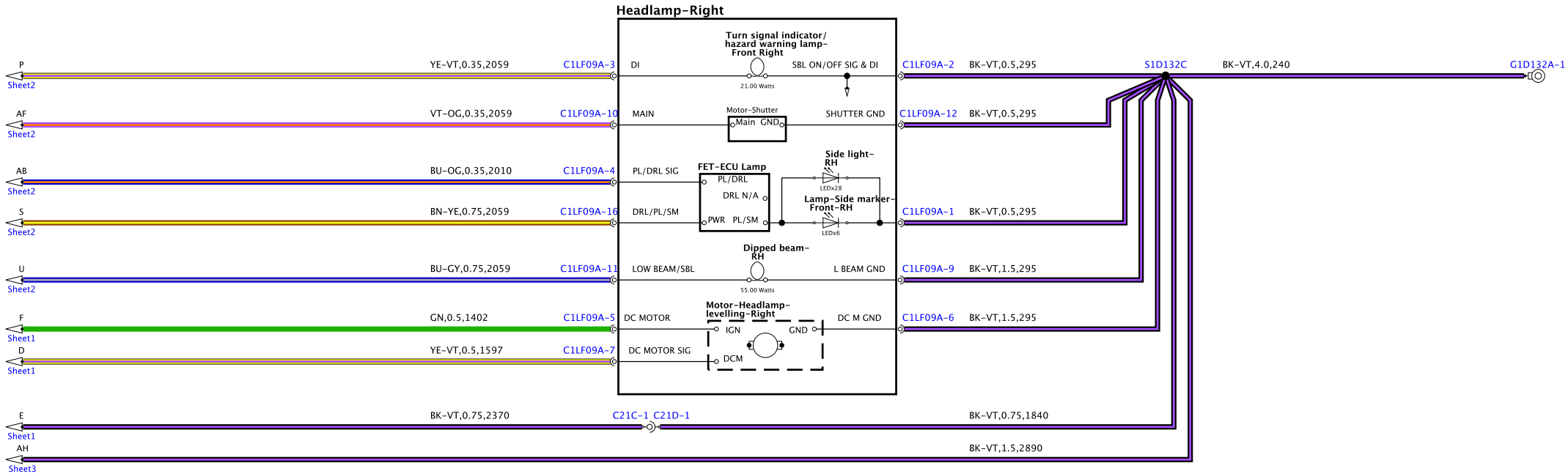
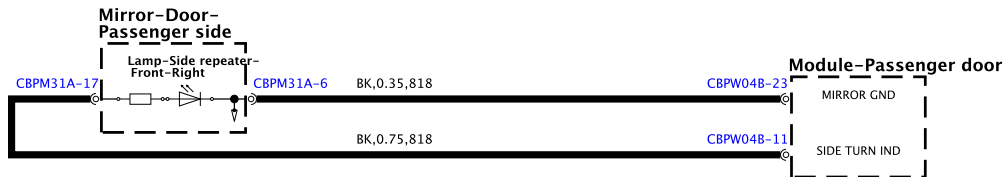
D32-70441-B-A-07-09-Service-0338-13MY-TT

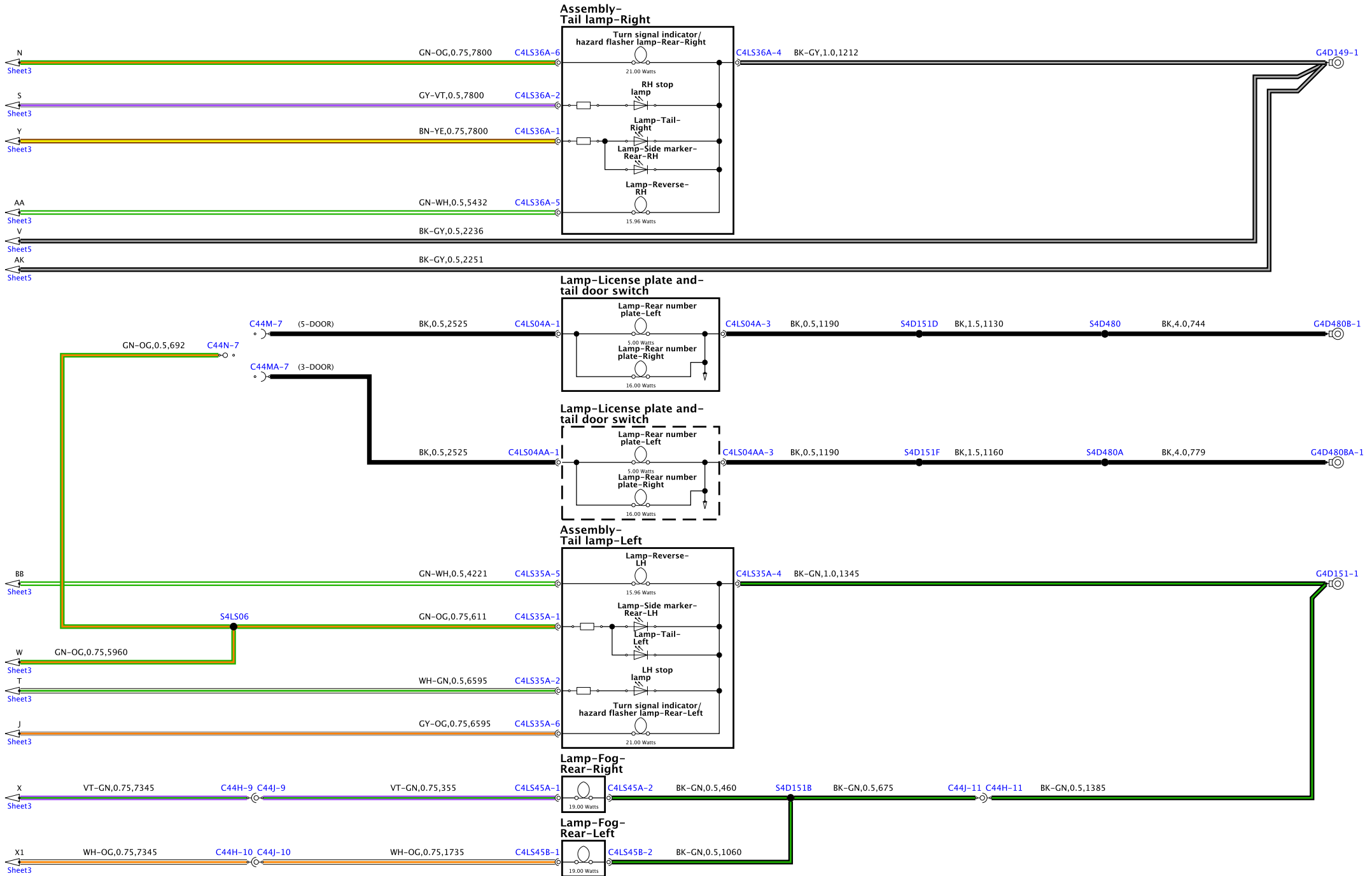
Rear seat entertainment module



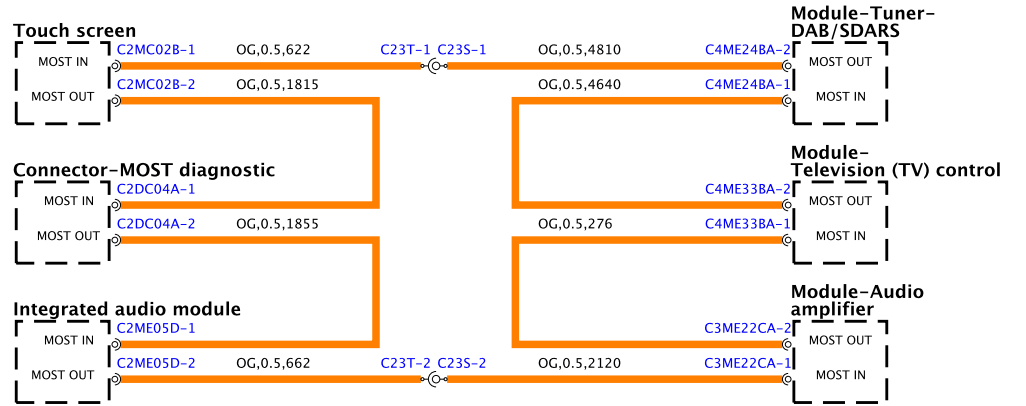
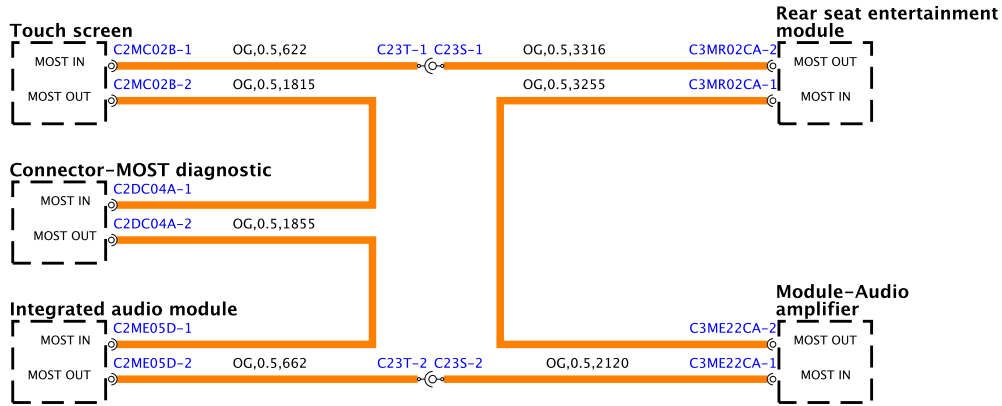
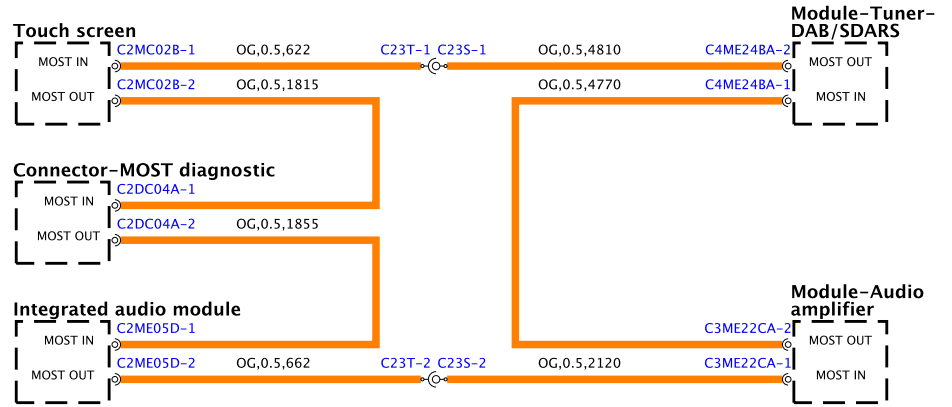
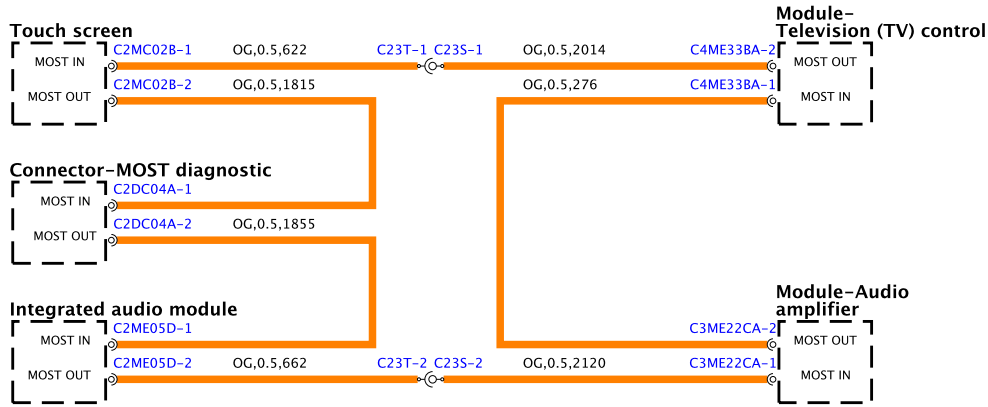
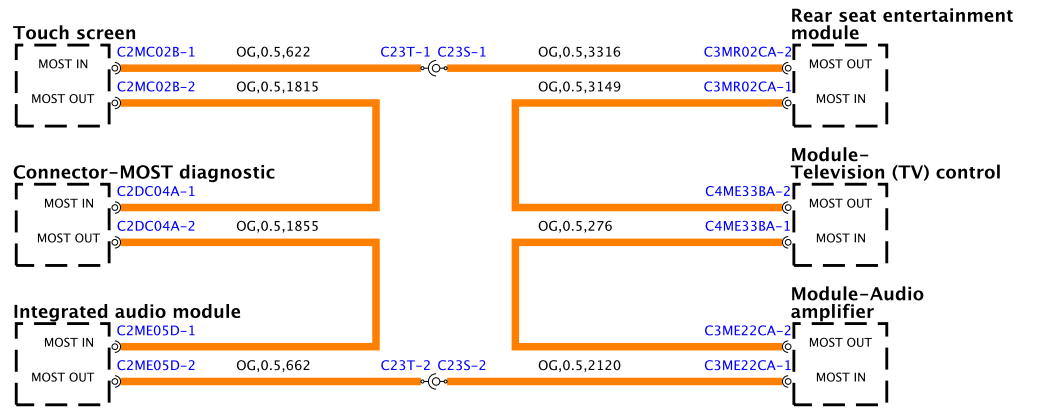
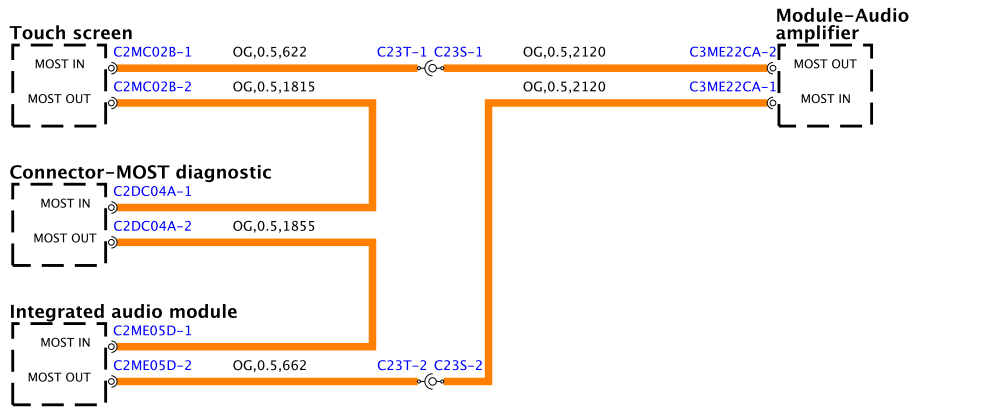
Screen-Rear seat-entertainment-Left

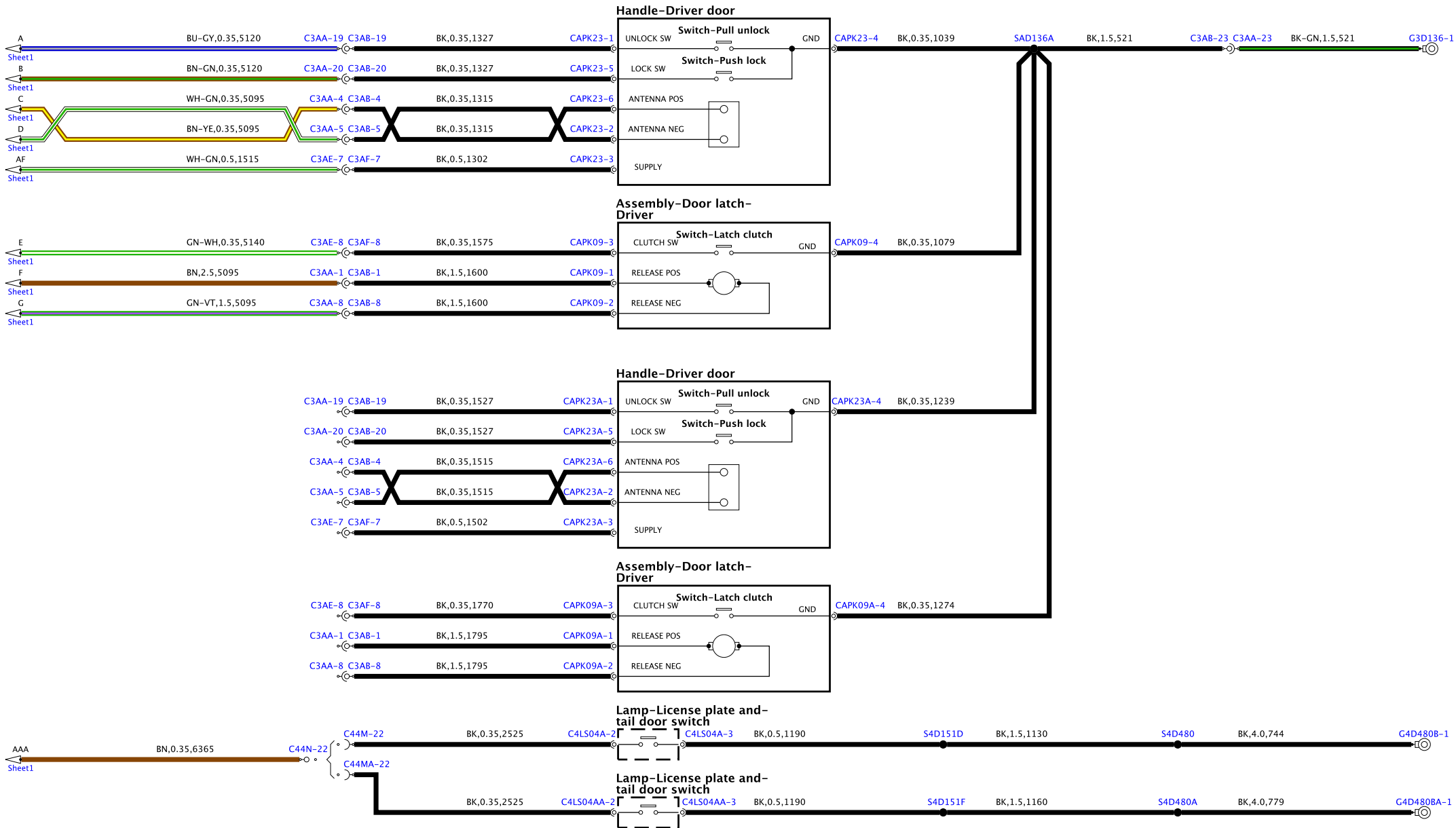
Screen-Rear seat-entertainment-Right





032-70016-1-A-01-02-Service (538-13M-17)





**Module-
Twin speed motor**

- O MOTOR PLUS PWM
- O MOTOR MINUS PWM
- EMC CAPACITOR
- +VBAT CONFORT RELAY
- I HI SPEED5 SW B
- I HI SPEED5 SW A
- I MOTOR MINUS
- I MOTOR PLUS
- GND OPTION



**Module-
Twin speed motor**

- O MOTOR PLUS PWM
- O MOTOR MINUS PWM
- EMC CAPACITOR
- +VBAT CONFORT RELAY
- I HI SPEED5 SW B
- I HI SPEED5 SW A
- I MOTOR MINUS
- I MOTOR PLUS
- GND OPTION

