

INDEX

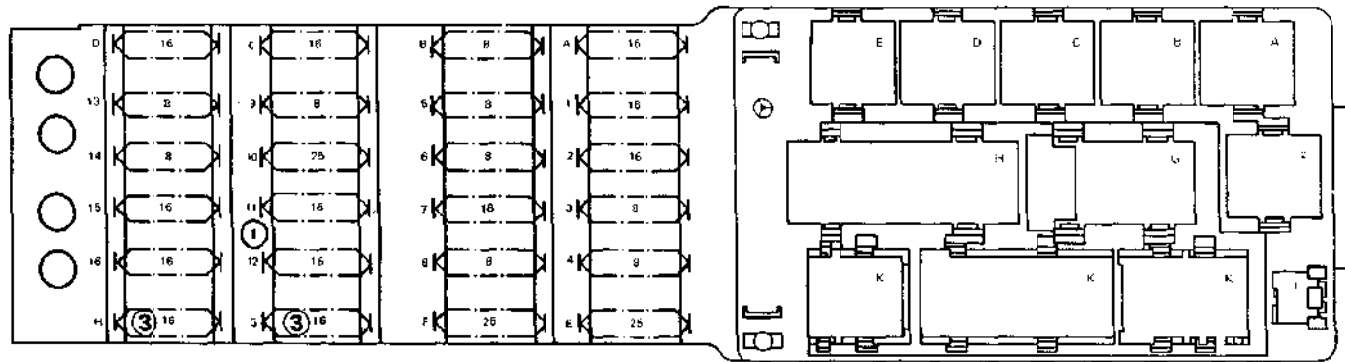
MODEL	SALES DESIGNATION	MODEL	SALES DESIGNATION
124.026	260E	124.090	300TE
	300E 2.6 ①	124.128	300D 2.5 Turbo
124.030	300E	124.133	300D Turbo
124.034	400E	124.193	300TD Turbo
124.036	500E	124.230	300E 4MATIC
124.050	300CE	124.290	300TE 4MATIC
124.051	300CE		

CIRCUIT	PAGE	CIRCUIT	PAGE
Active Bass: Amplifiers and Speakers	132	Lamps (continued)	
Anti-Lock Brake System (ABS)	150	—Fog	124
ABS with ASD/4matic	151	—Glove Box	131
ABS with ASR	152	—Hazard	127
ABS with ASR/Electronic Accelerator	152/4	—Headlamps	124
		—Instrument Cluster	130
Automatic Antenna	131	—License	126
Automatic Climate Control	301	—Park	126
Automatic Locking Differential (ASD)	153	—Reading	129
Auxiliary Fan	121	—Side Marker	126
CD Changer	131/8	—Stop	125
Cellular Telephone	134	—Tail	126
Central Locking System	146	—Turn Signal	127
Charging System	123	—Trunk	128
Cigar Lighter	131	—Vanity	129
Clock	136	Orthopedic Seat	155
Component Locations	201	Outside Heated Mirrors	149
Controller Area Network (CAN) Data Bus	122	Power Distribution	105
Cruise Control	137	Power Seats	148
Diagnostic Module	113/6	Power Windows	144
Diagnostic Socket	113	Preglow System	112
Electronic Accelerator System	138	Radio	131
Electronic Diesel System	115	Rear Defogger	141
Electronic Engine Controls	117	Rear Head Restraint System	139
Engine Overload Protection	121	Rear Window Sun Shade	143
4MATIC System	154	Rear Wiper/Washer	161
First Gear Start	164	Seat Backrest Locking System	156
Fuel Delivery	114	Seat Belt Extenders	157
Fuse Block Details	108	Sliding Roof	140
Fuse Circuit List	103	Sound System: Amplifiers and Speakers	133
Fuse/Relay Box	102	Start	111
Gauges	136	Supplemental Restraint System (SRS)	158
Ground Distribution	165	Tachometer	133
Headlamp Wiper/Washer	162	Tailgate Closing Assist	129/2
Heated Seats	142	Telescopic Steering Column	147
Heated Windshield Washer System	162	Transmission Shift Point Relay	120/2
Horns	145	Transmission Kick-down	113
Ignition	113	Two-Piece Radio with Sound System	131/6
Lamps		Warning Indicators	136
—Backup	125	Warning System	135
—Center Console	130	Wiper/Washer	159
—Courtesy	128		

REVISIONS: ① AS OF MY 1990

FUSE/RELAY BOX
TOP VIEW

AS OF MY 1986



← Driving Direction

RELAY CODE	RELAY USE	RELAY CODE	RELAY USE
A	K5 Power Seat Relay	G	K18 Seat Belt Warning Relay ⑤
B	K10 Auxiliary Fan Preresistor Relay K9k1 Auxiliary Fan Relay ④	H	N10 Combination Relay
C	K9 Auxiliary Fan Relay K9k2 Auxiliary Fan Relay Preresistor ④	I	V1 Power Seat Diode ④ V5 Parking Brake/ASR/Electronic Accelerator ④
D	K2 Headlamp Washer Relay	K	N7 Exterior Lamp Failure Monitoring Unit
E	F14 Auxiliary Fuse Holder K7 Air Injection Relay ④		
F	K4 Power Window Relay K24 Convenience Relay ②		

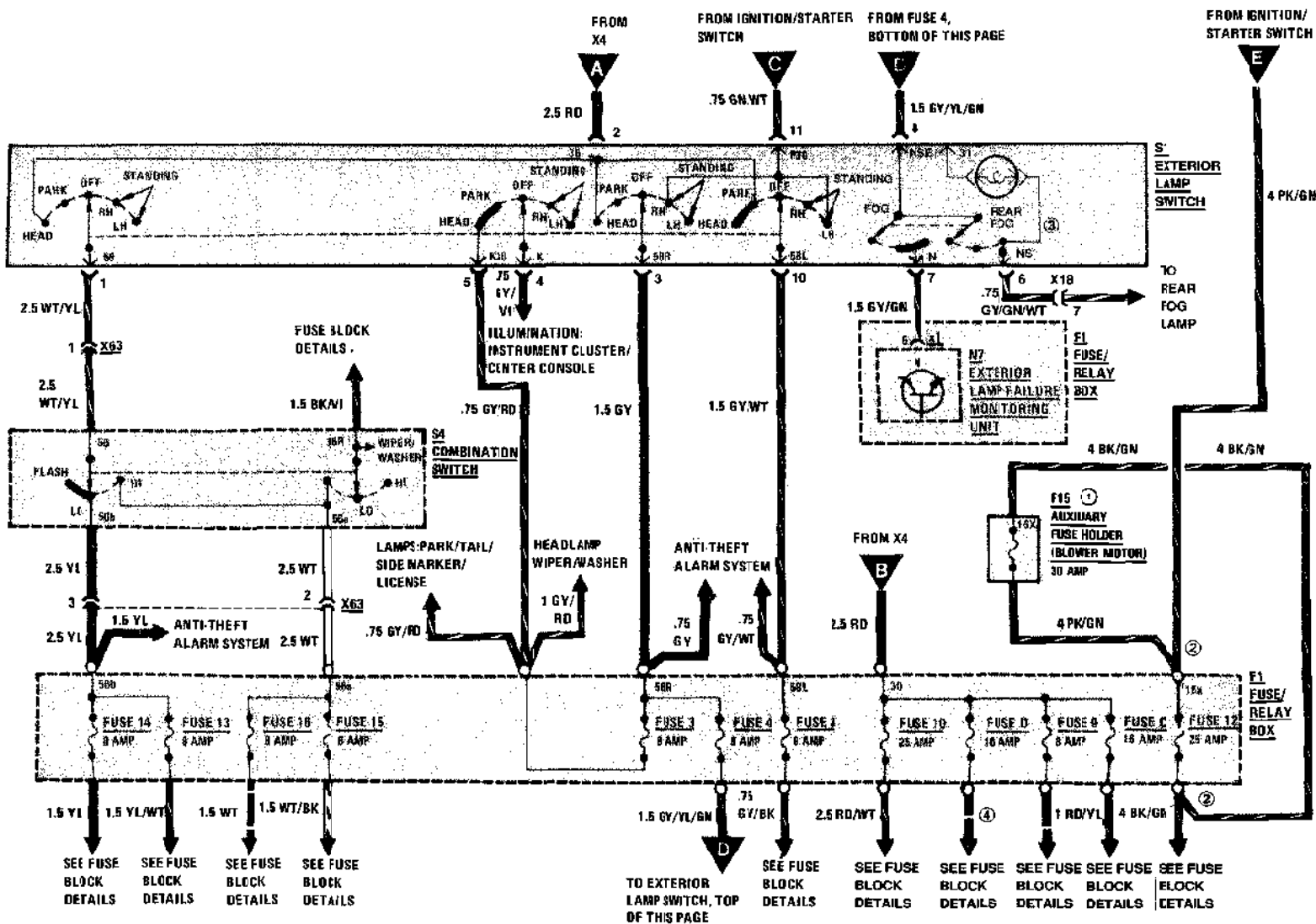
REVISIONS: ① IN LINE FUSE REPLACES FUSE NO. 12 AS OF CHASSIS END NUMBER A292112, F023505 ② AS OF MY 1990 ③ 25 AMP AS OF MY 1990	④ REPLACED BY K24 AS OF MY 1990 ⑤ COUPE MODEL ONLY ⑥ AS OF MY 1992, MODELS 400E/500E
---	--

POWER DISTRIBUTION

AS OF MY 1986

Supplement 14

124.0/1/2



- REVISIONS:
- ① AS OF A CHASSIS END NUMBER A292112, F023505
 - ② AS OF MODEL YEAR 1986, WIRED DIRECTLY THROUGH F15 (F12 NOT USED)
 - ③ AS OF MY 1991
 - ④ EXCEPT MODELS 400E/500E

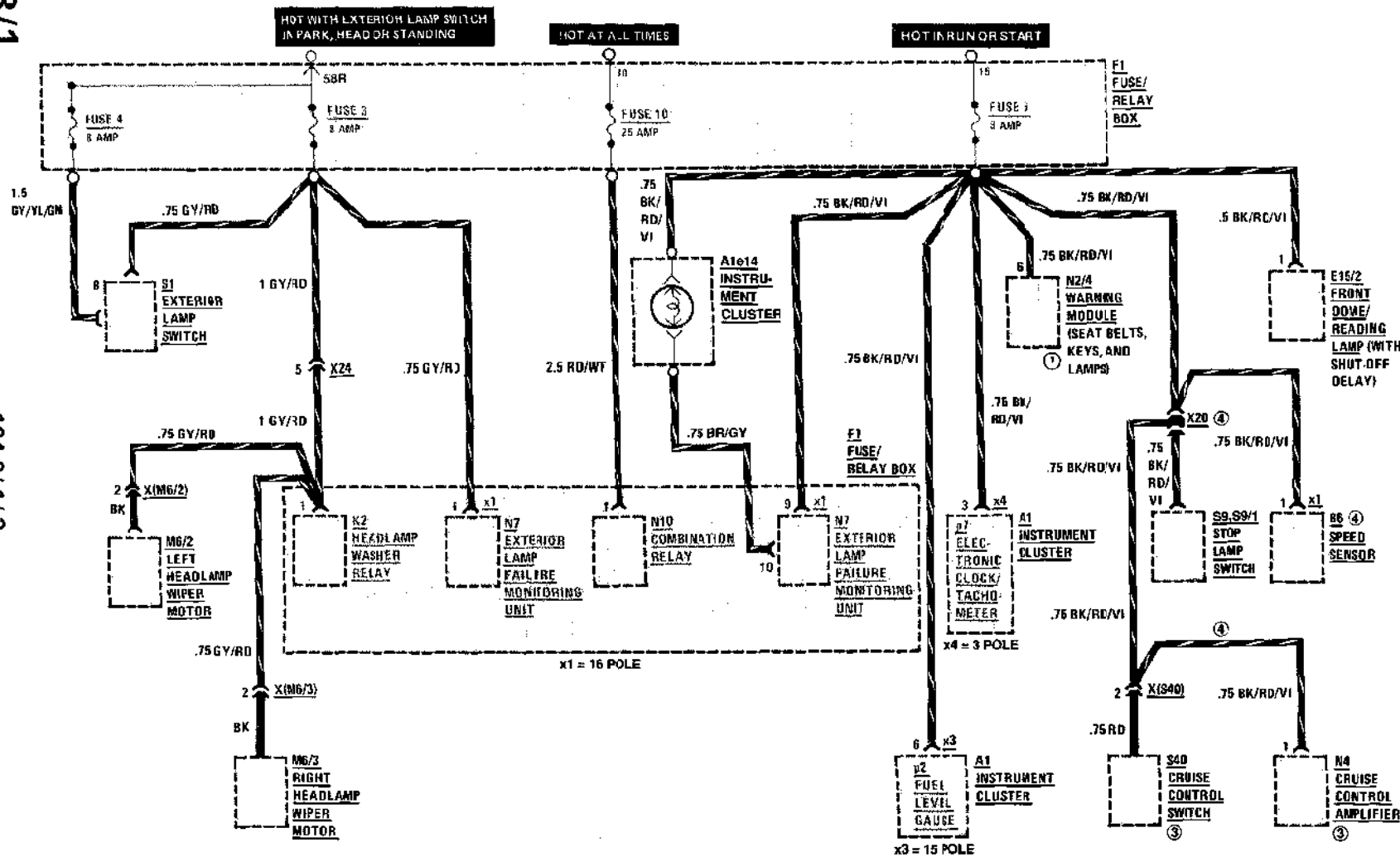
106

FUSE BLOCK DETAILS

AS OF MY 1986

108/1

124.0/1.2

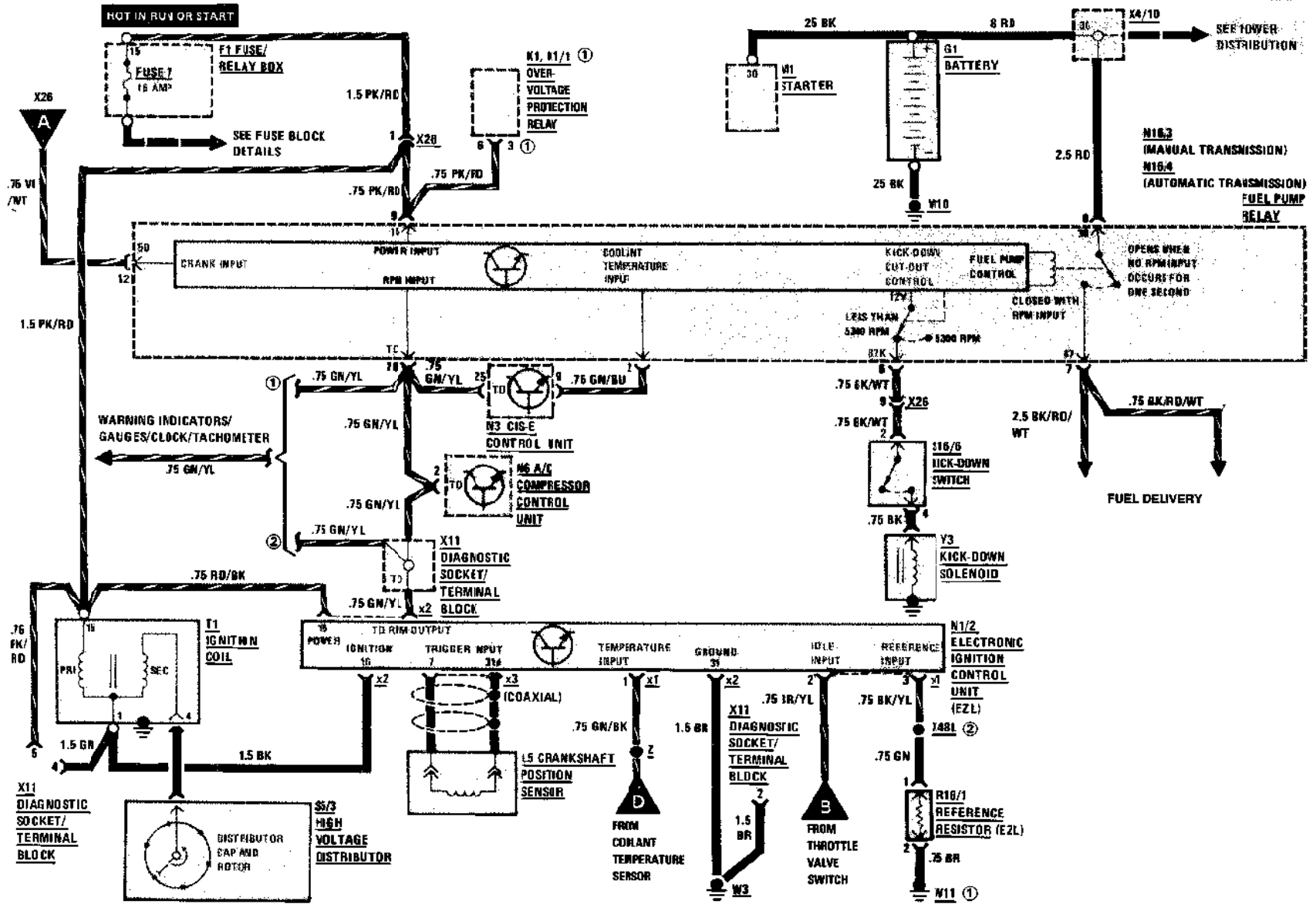


- REVISIONS:**
- ① AS OF MODEL YEAR 1987
 - ② MODELS 400E/500E
 - ③ DIRECTLY CONNECTED TO FUSES, MODELS 400E/500E
 - ④ EXCEPT MODELS 400E/500E

IGNITION/DIAGNOSTIC SOCKET/ KICK-DOWN

MY 1986-1989

GASOLINE



REVISIONS: ① AS OF MY 1988
② MY 1986-1988

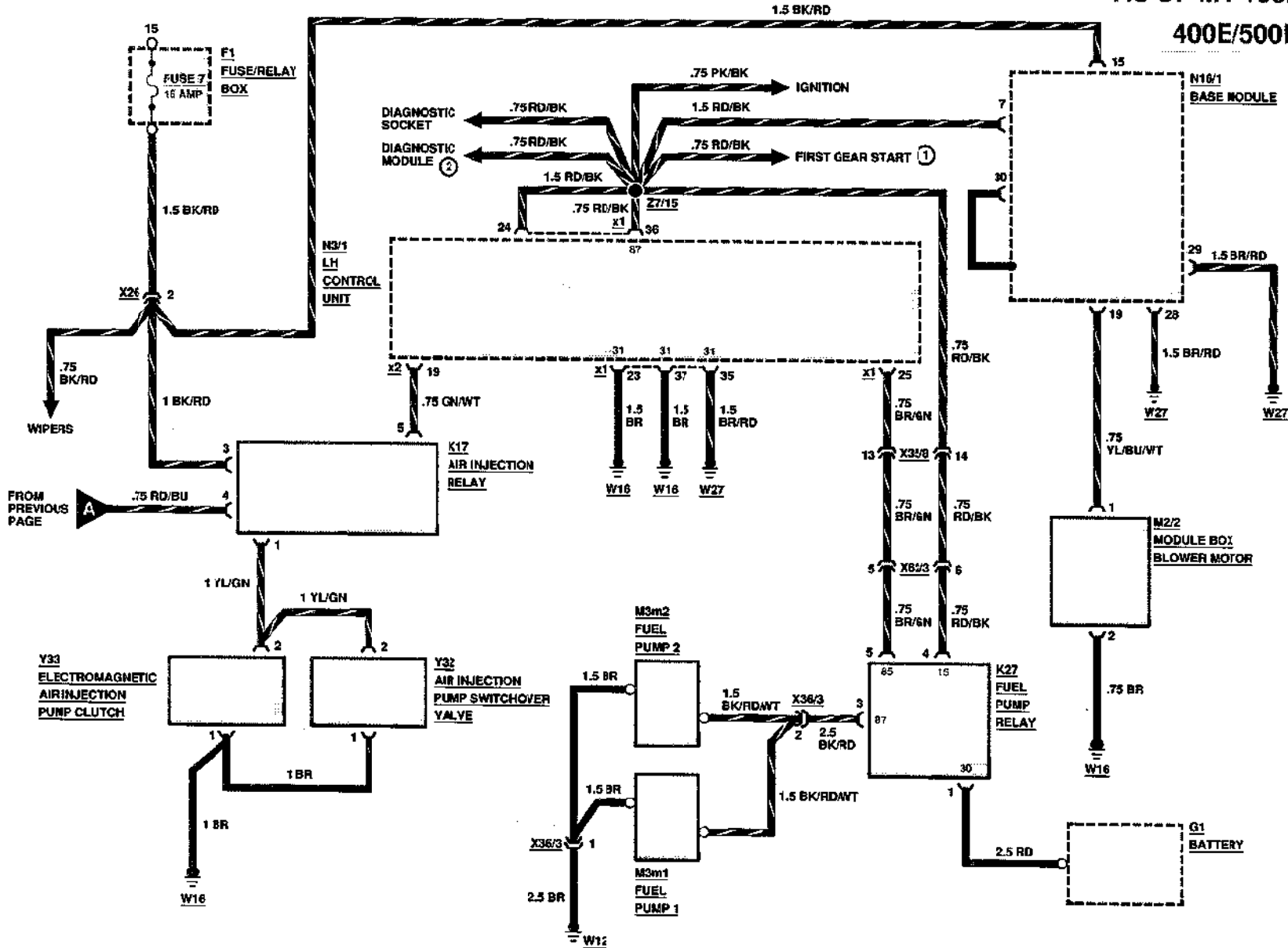
114/4

124.034/036

Supplement 14

FUEL DELIVERY

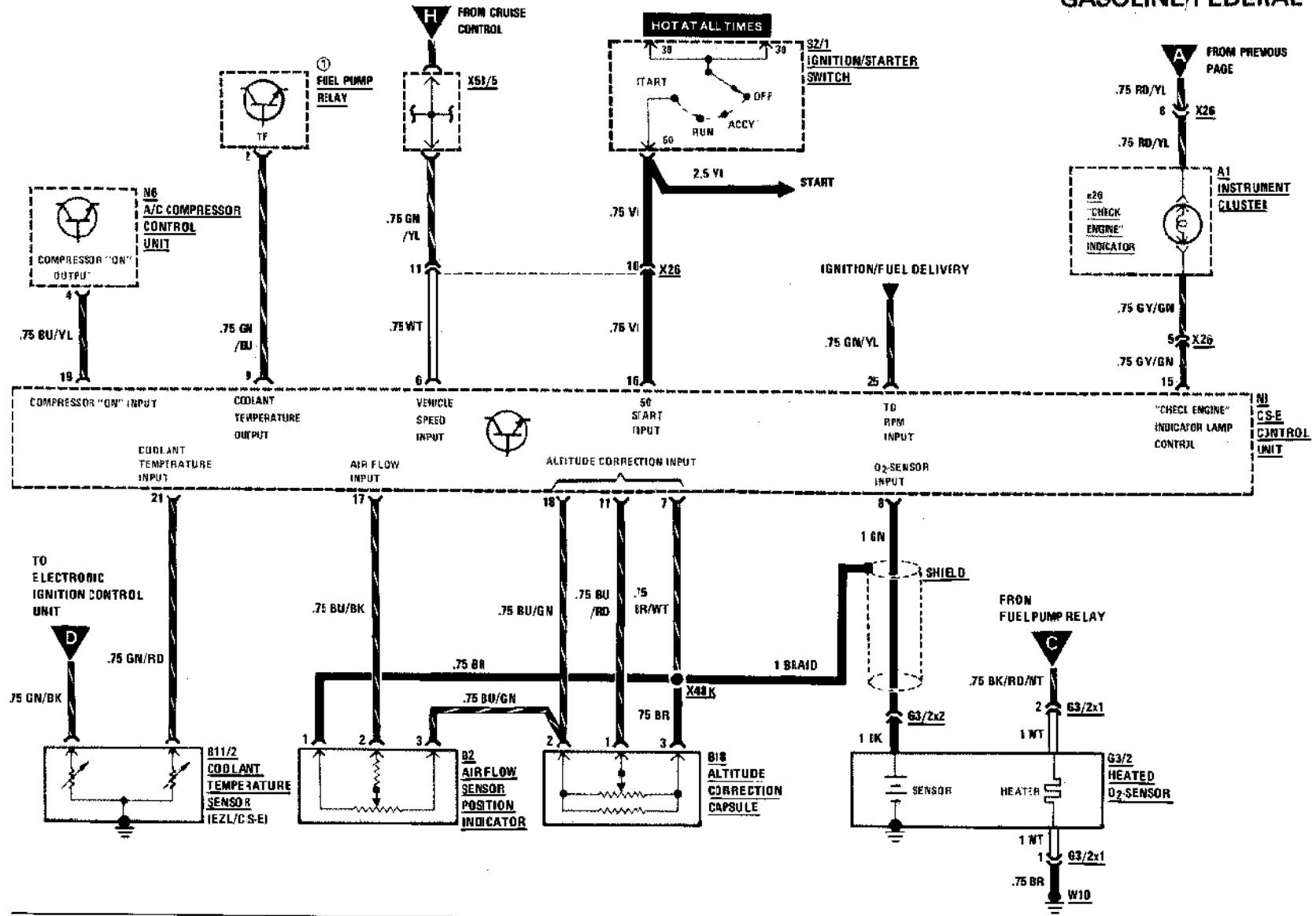
AS OF MY 1992
400E/500E



REVISIONS: ① MODEL 400E
② CALIFORNIA VERSION

ELECTRONIC ENGINE CONTROLS

MY 1988-1989
GASOLINE/FEDERAL



REVISIONS: ① N16/3 (MANUAL TRANSMISSION)
N16/4 (AUTOMATIC TRANSMISSION)

118/1

124.026/.030/.050/.090

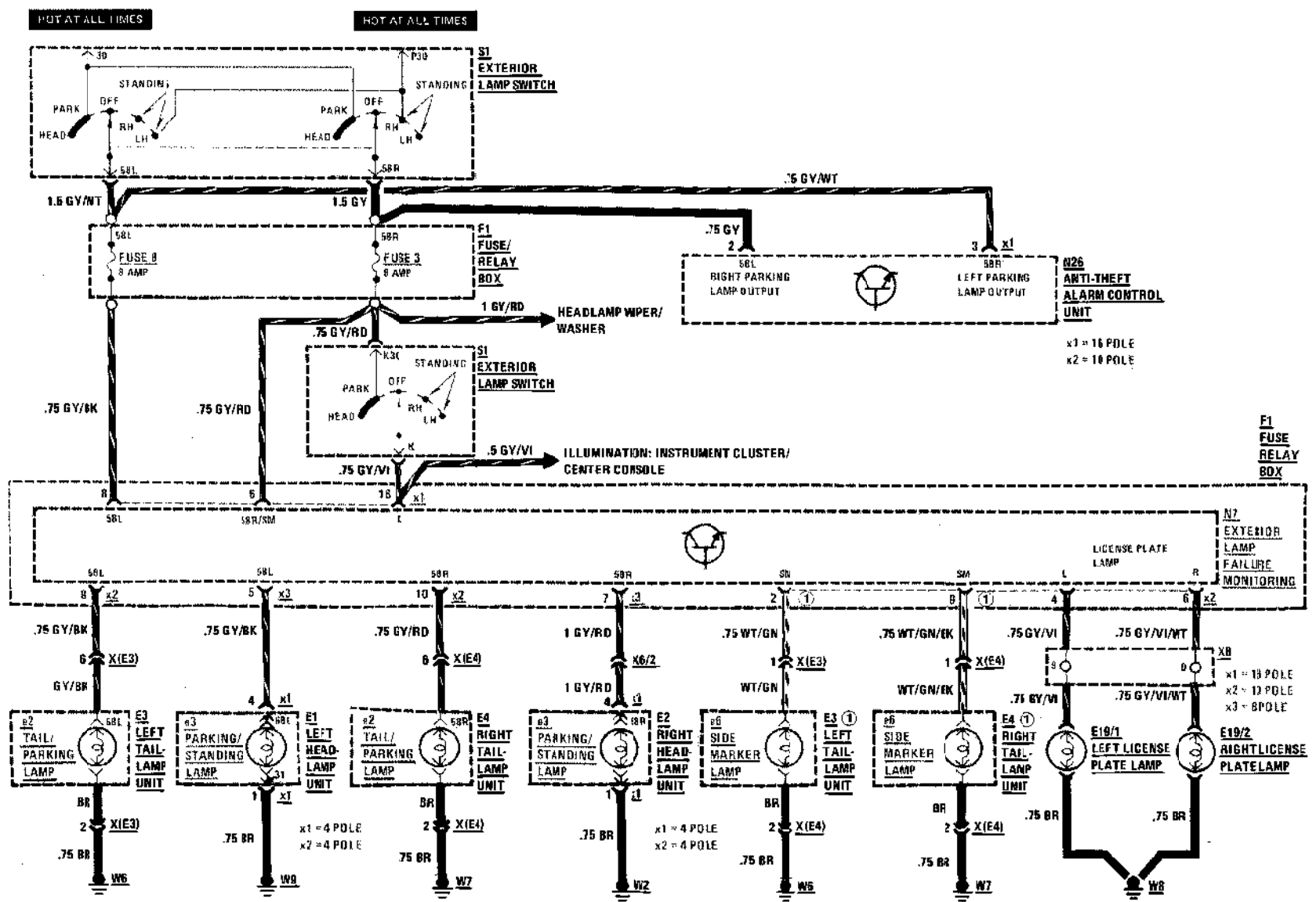
Supplement 7

LAMPS: PARK/TAIL/SIDE MARKER/LICENSE

AS OF MY 1987
300TD/300TE

Supplement 12

124.090/193/290



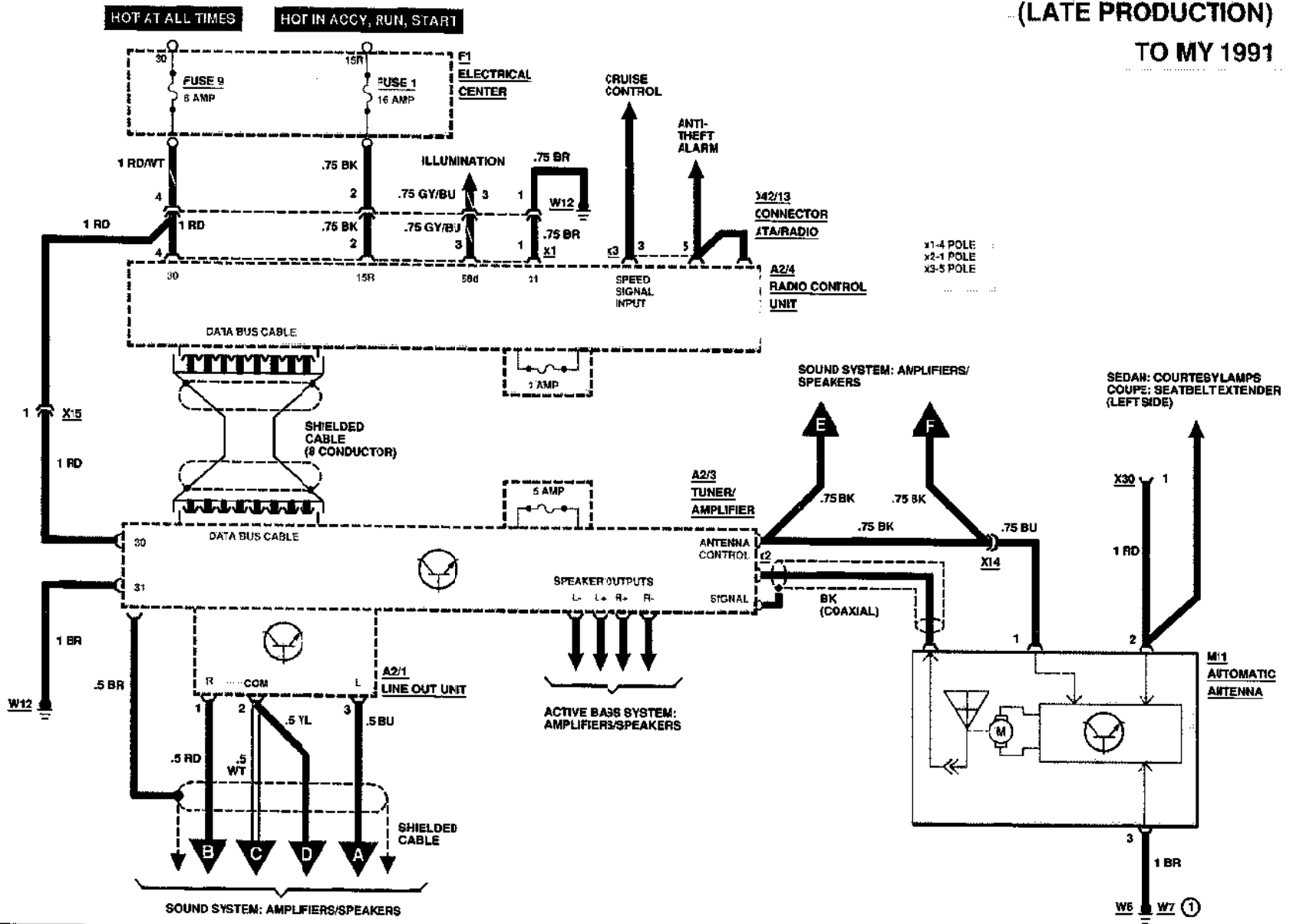
REVISIONS: ① NOT USED AS OF NY 1991

126/1

131/5

TWO PIECE RADIO WITH SOUND SYSTEM/ACTIVE BASS

MY 1990
(LATE PRODUCTION)
TO MY 1991



REVISIONS: ① STATION WAGON

124.0/1/2

Supplement 12

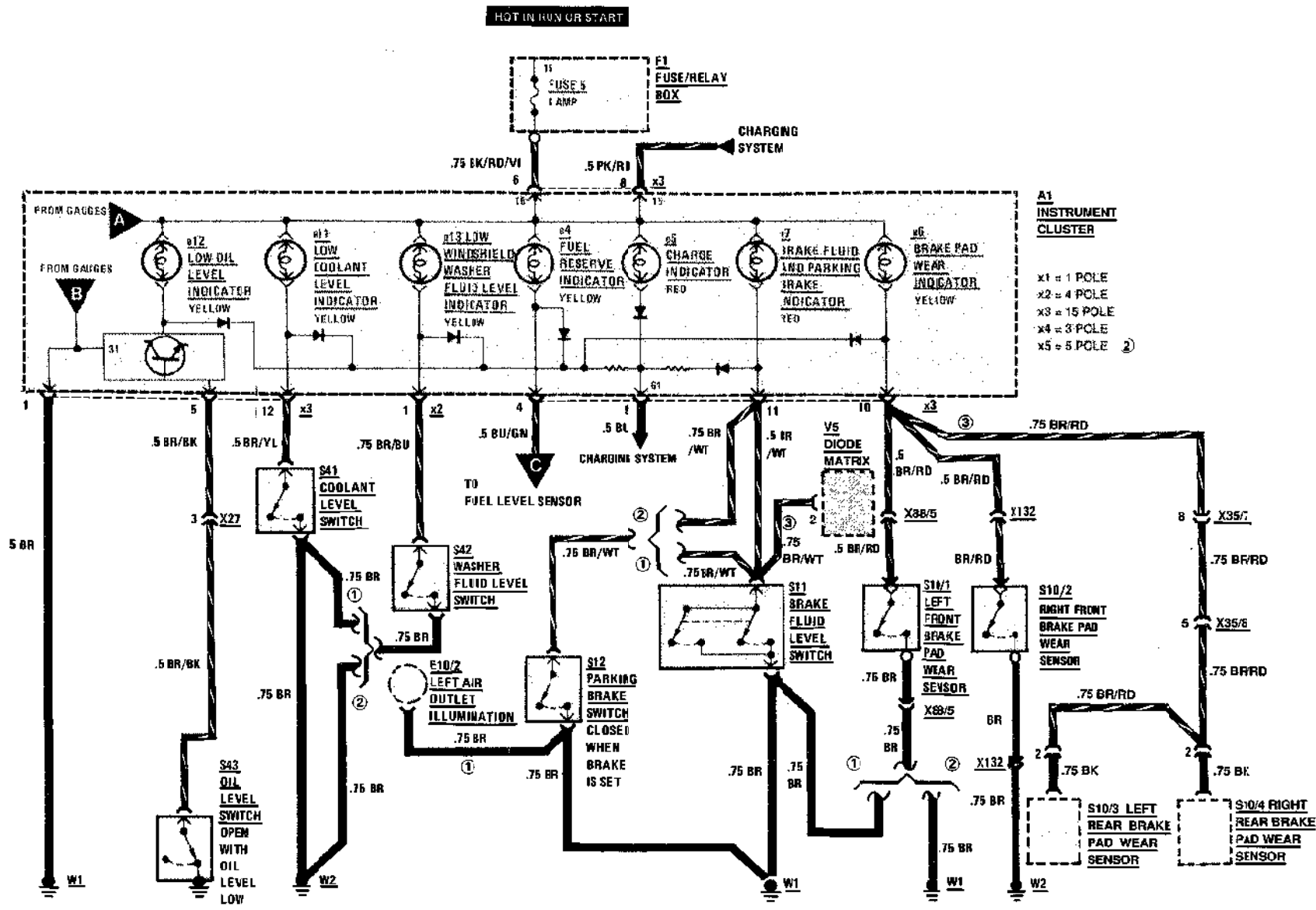
WARNING INDICATORS

AS OF MY 1986
GASOLINE

136/2

124.0/2

Supplement 14



A1
INSTRUMENT
CLUSTER

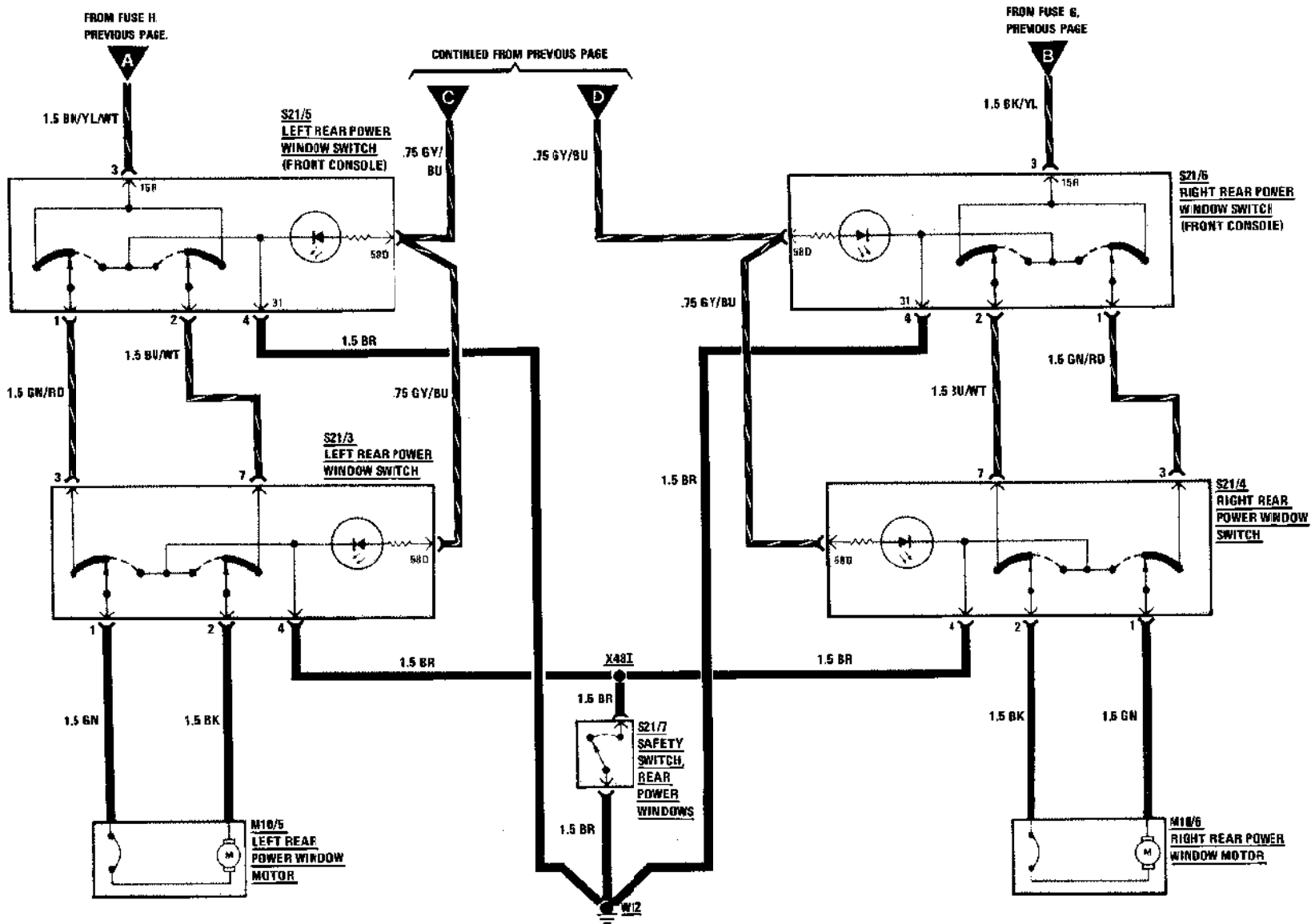
x1 = 1 POLE
x2 = 4 POLE
x3 = 15 POLE
x4 = 3 POLE
x5 = 5 POLE ②

REVISIONS: ① MY 1986 AND MY 1987
② AS OF MY 1988
③ MODEL 500E

POWER WINDOWS

MY 1986-1989

1/87



124.0/1

144/1

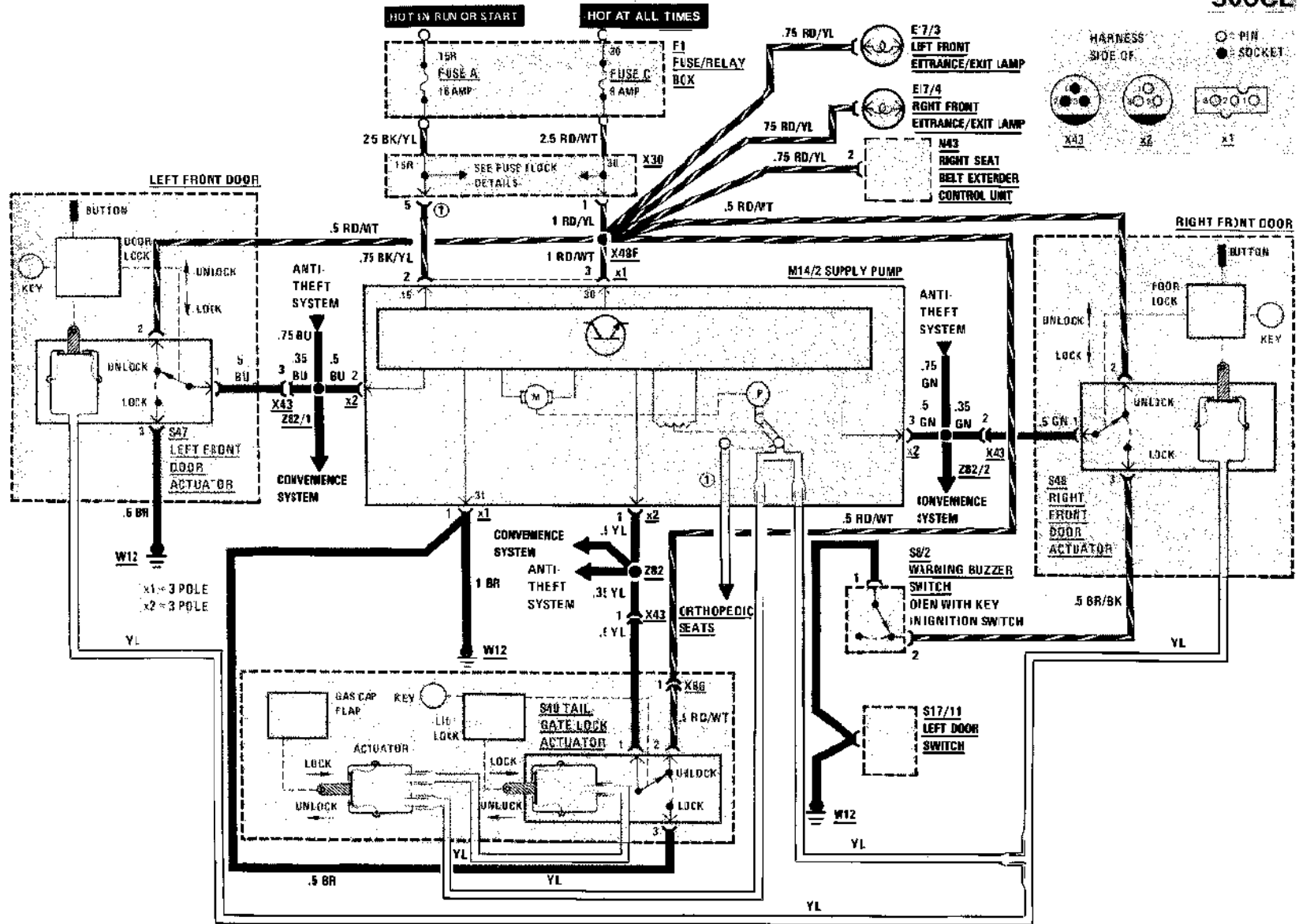
REVISIONS:

--	--	--

146/3

CENTRAL LOCKING SYSTEM

MY 1990
300CE



124.051

Supplement 10

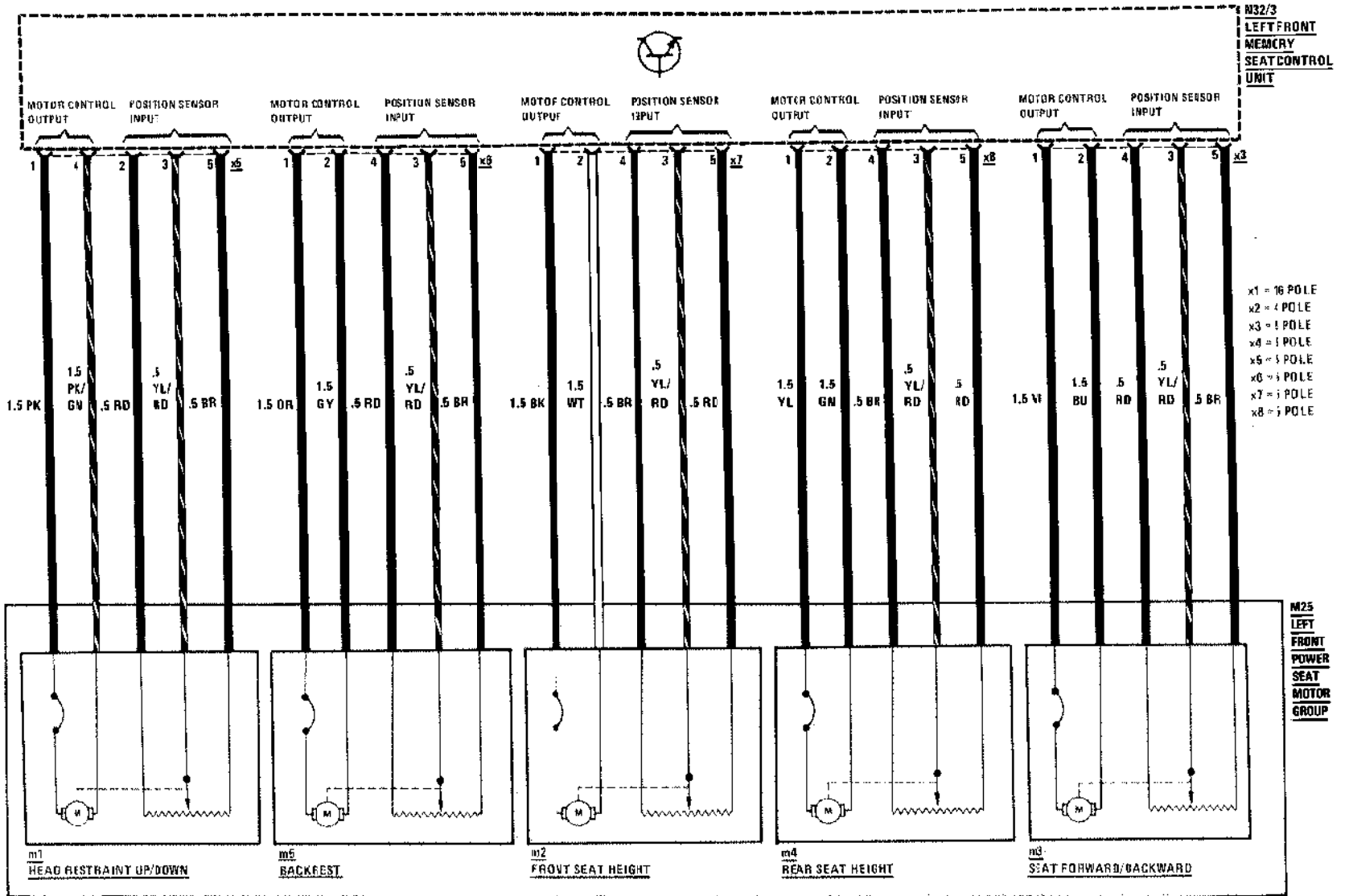
REVISIONS: ① ONLY WITH ORTHOPEDIC SEATS

LEFT POWER SEAT (WITH MEMORY)

AS OF MY 1986

Supplement 7

124.0/1/2 (EXCEPT .026/128)

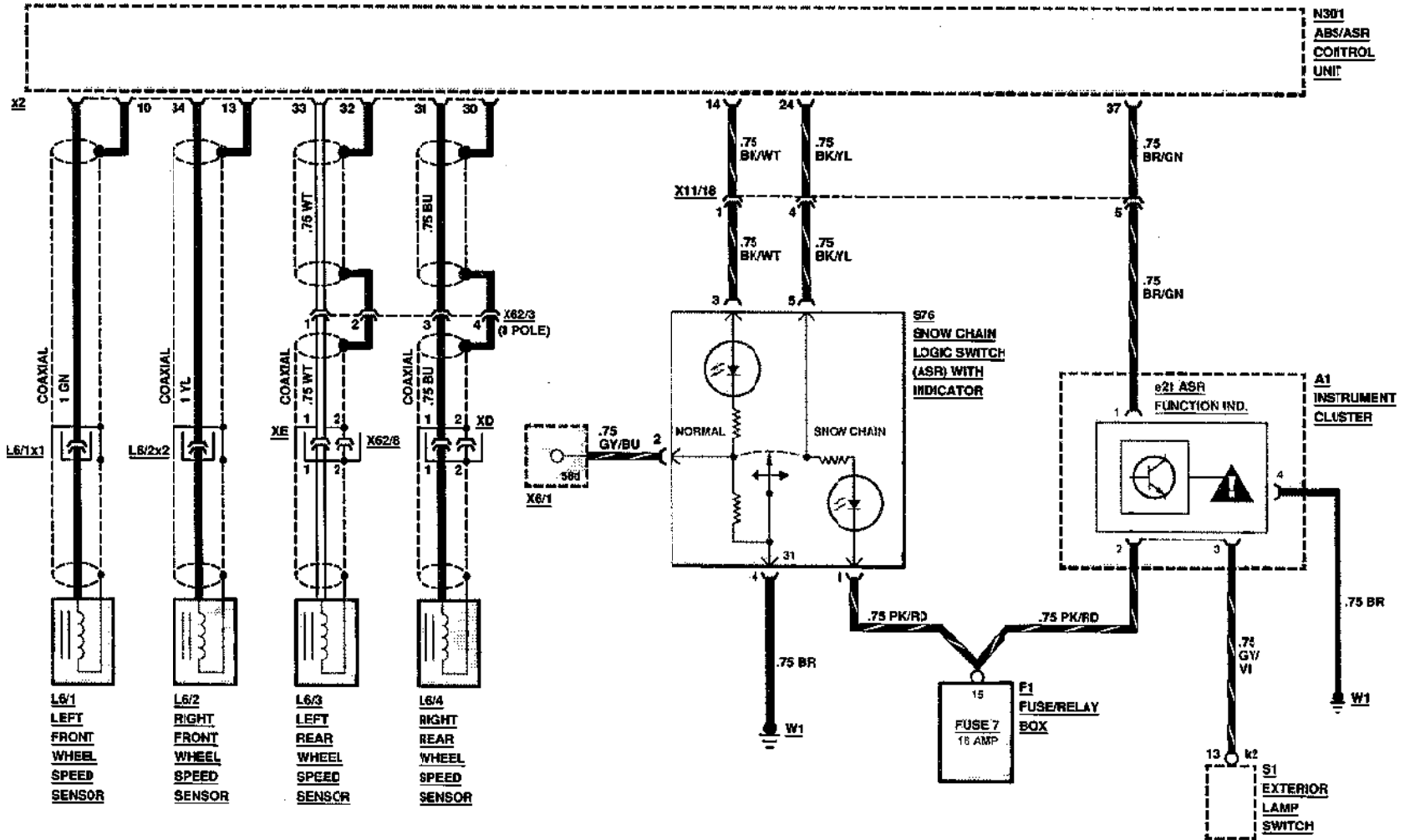


REVISIONS:

148/7

ANTI-LOCK BRAKE SYSTEM (ABS) (WITH ASR)

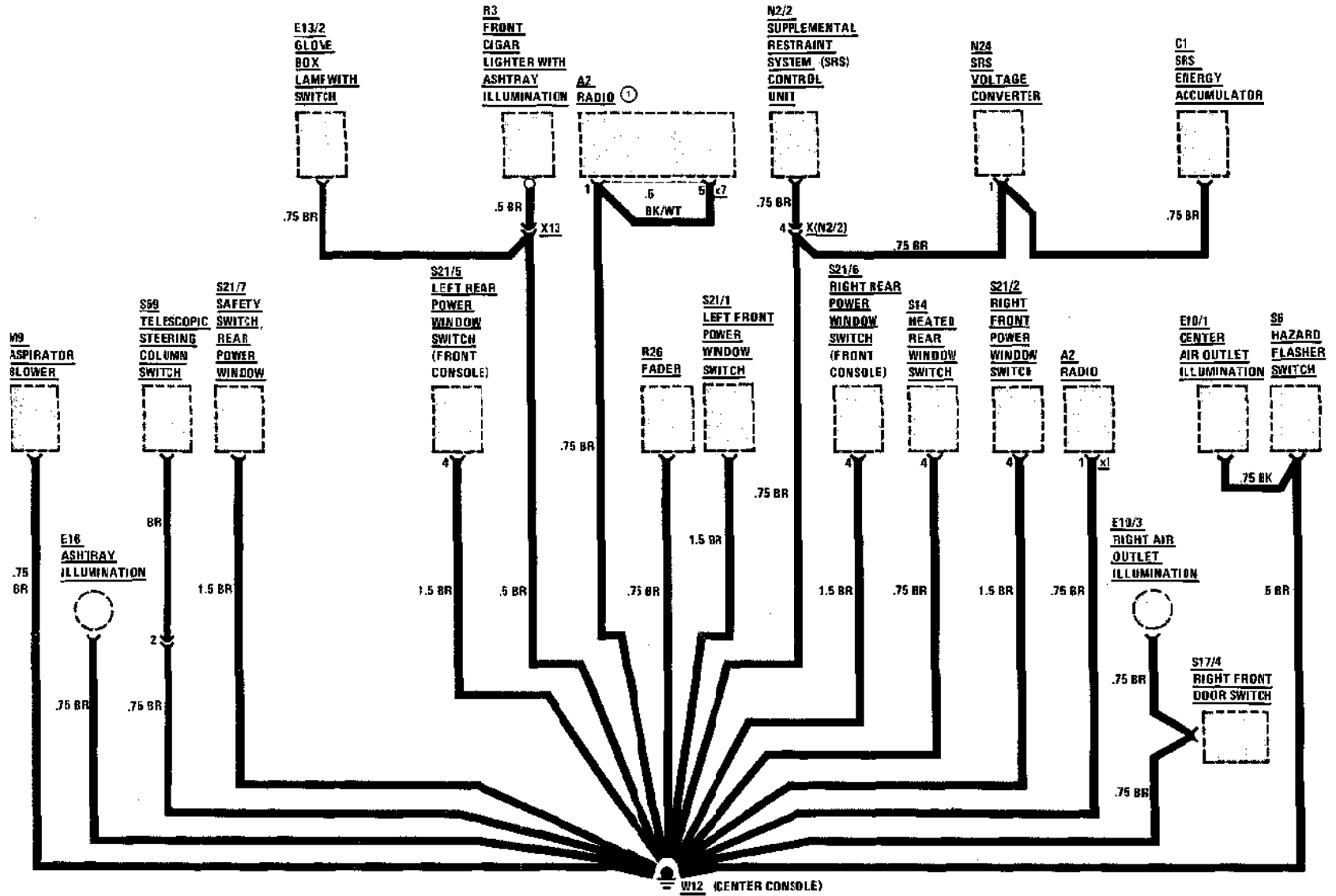
AS OF MY 1992
400E/500E



REVISIONS:

GROUND DISTRIBUTION (W12)

MY 1986-1989



REVISIONS: ① AS OF MODEL YEAR 1987