


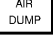


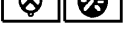





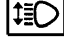
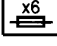

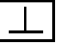

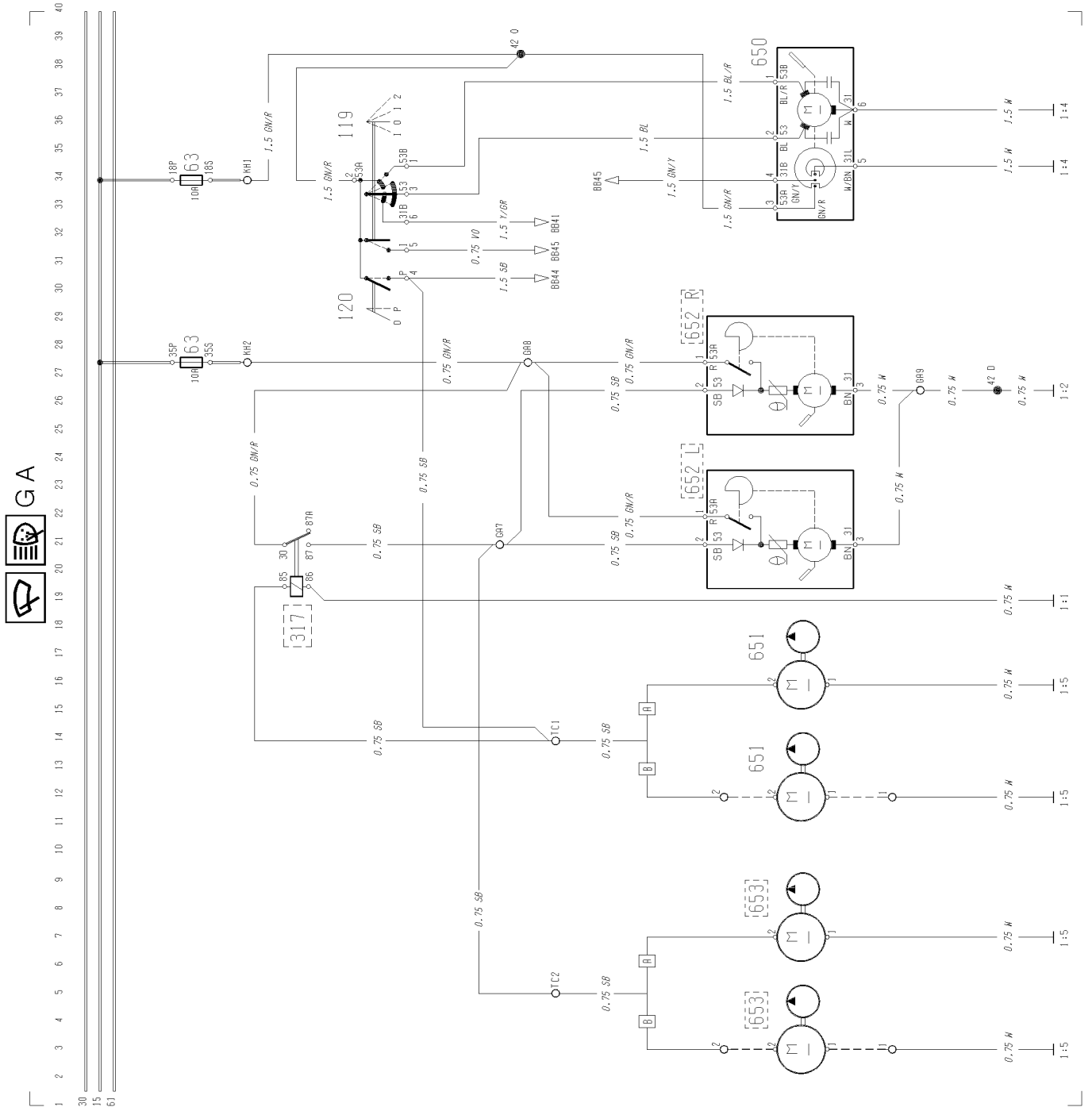


Contents

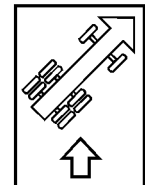
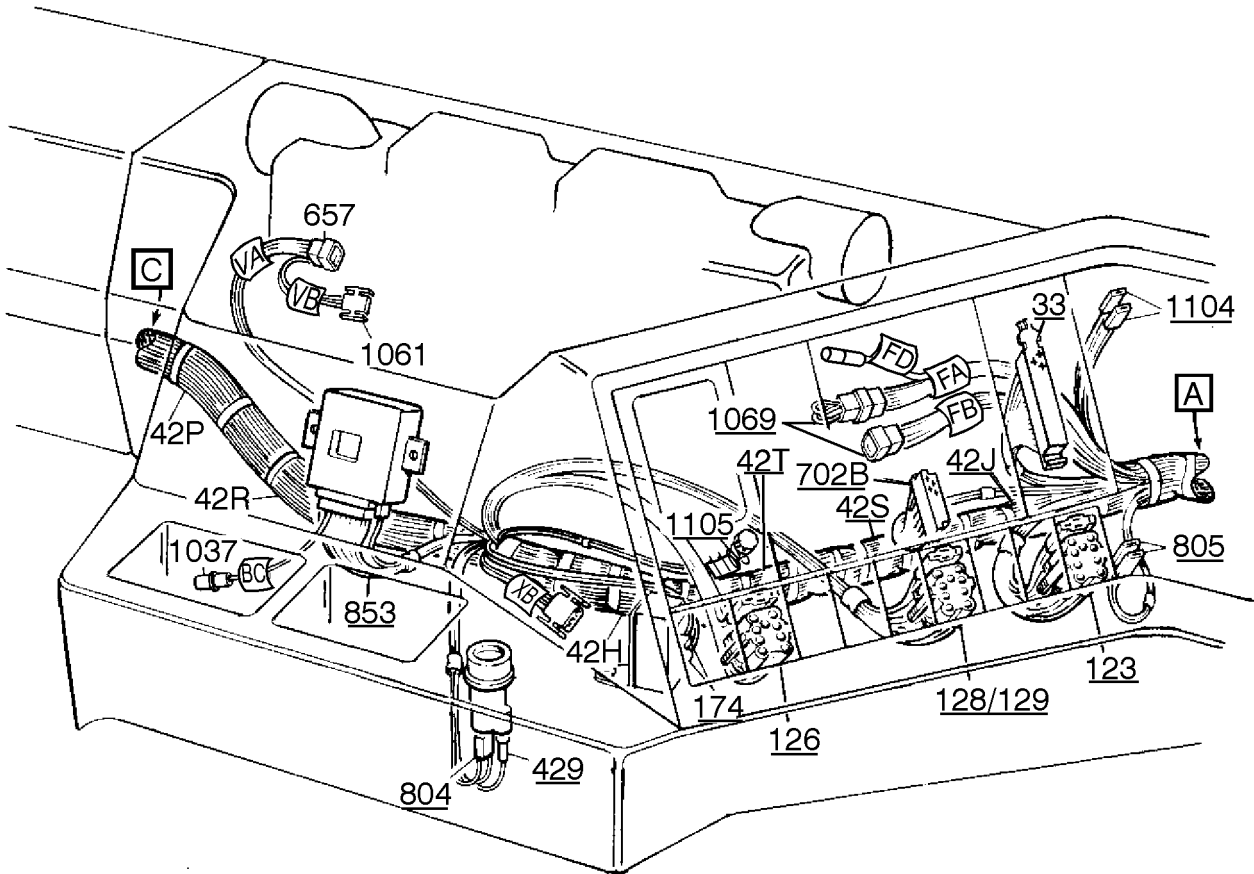
Component wiring diagram index	2
Component wiring diagrams	6
Illustration index	47
Illustrations	48
Circuit board (32) electrical centre	120
Fuses on circuit board (32) electrical centre	122
Relays on circuit board (32) electrical centre	123
6–unit fuse holder	124
Cable harness illustration index	125
List of connectors	128
List of components	134
Abbreviations	139
Cable colour code	140
Feedback	

	MP	Bogie lift, air suspension < 15 tonnes	page 33
	MR	Bogie lift, air suspension, pusher	page 34
	MS	Bogie lift, air suspension 15 tonnes	page 35
	MV	Drive axle load-increase	page 35
	MX	Bogie press	page 36
	MY	Bogie lift, tridem	page 36
	NA	Combination instrument	page 37
		A = Without tachograph	
	ND	Indicator lamps	page 38
	NG	Instruments, buzzer, rheostat	page 39
	NK	Driver information system (INFOSYST)	page 40
	4 OA	Anti-lock brakes (ABS), 4-channel	page 41
	6 OB	Anti-lock brakes (ABS), 6-channel	page 42
	PA	Level control, headlights	page 43
	XA	6-unit fuse holder	page 43
	XD	Connection, extra equipment	page 44
		A = AVGASB4	
		B = Powertronic	
	ZA	Earth connections	page 45
	ZD	Joint sleeve	page 46



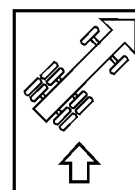
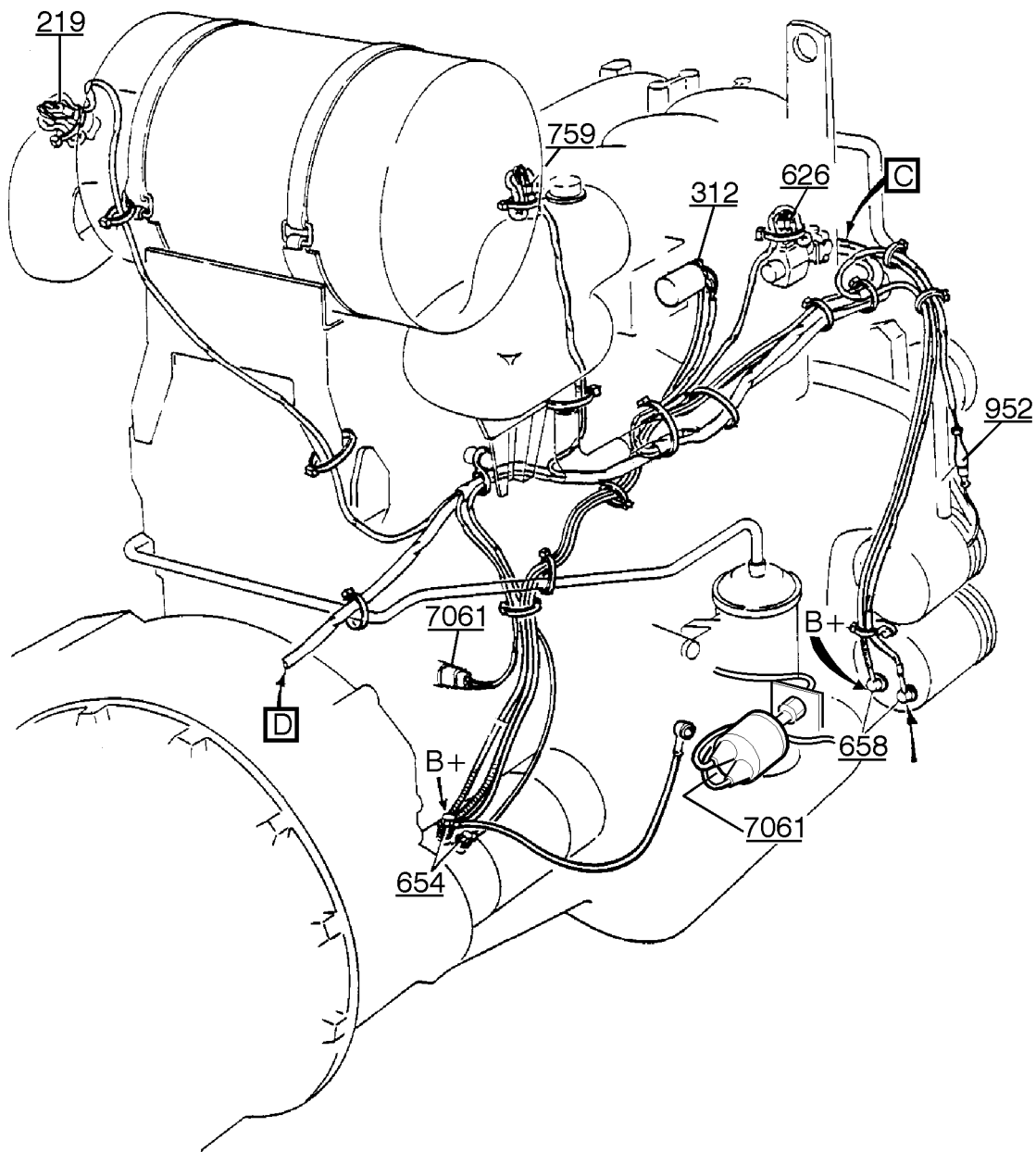
T3008271

1000



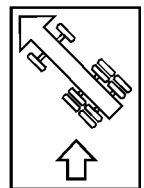
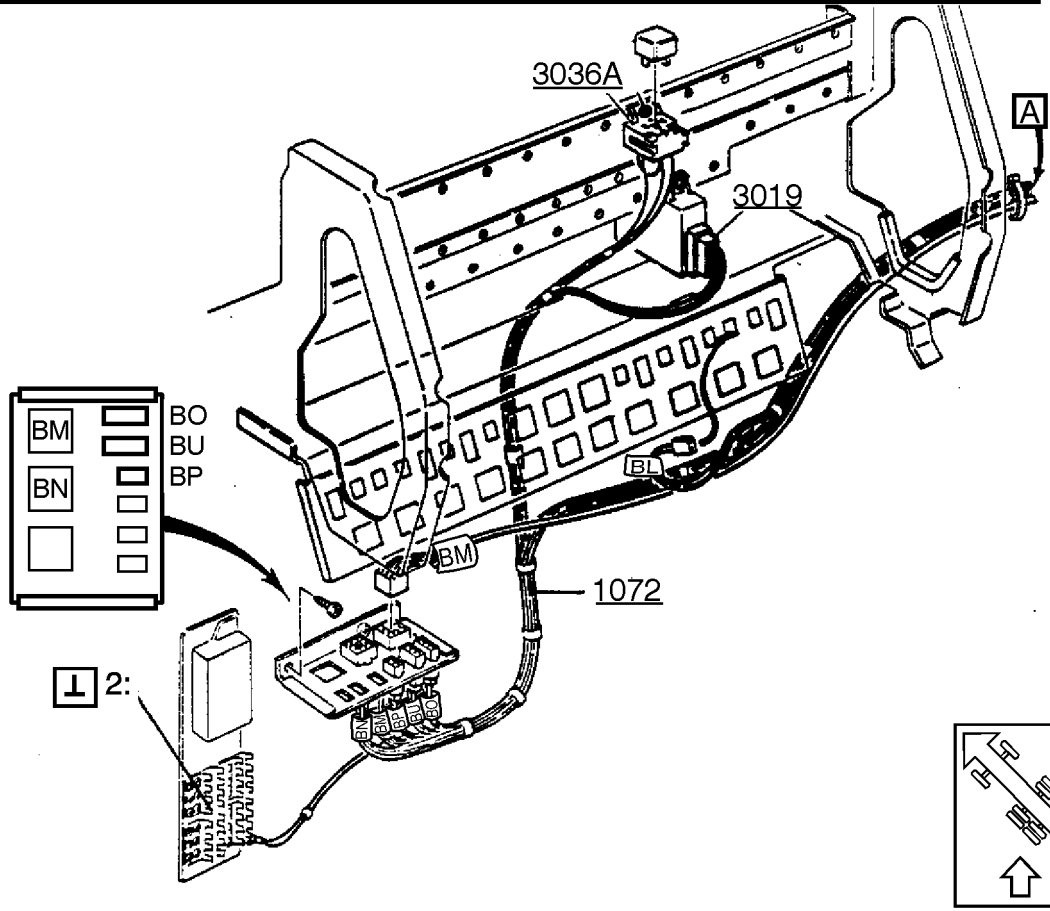
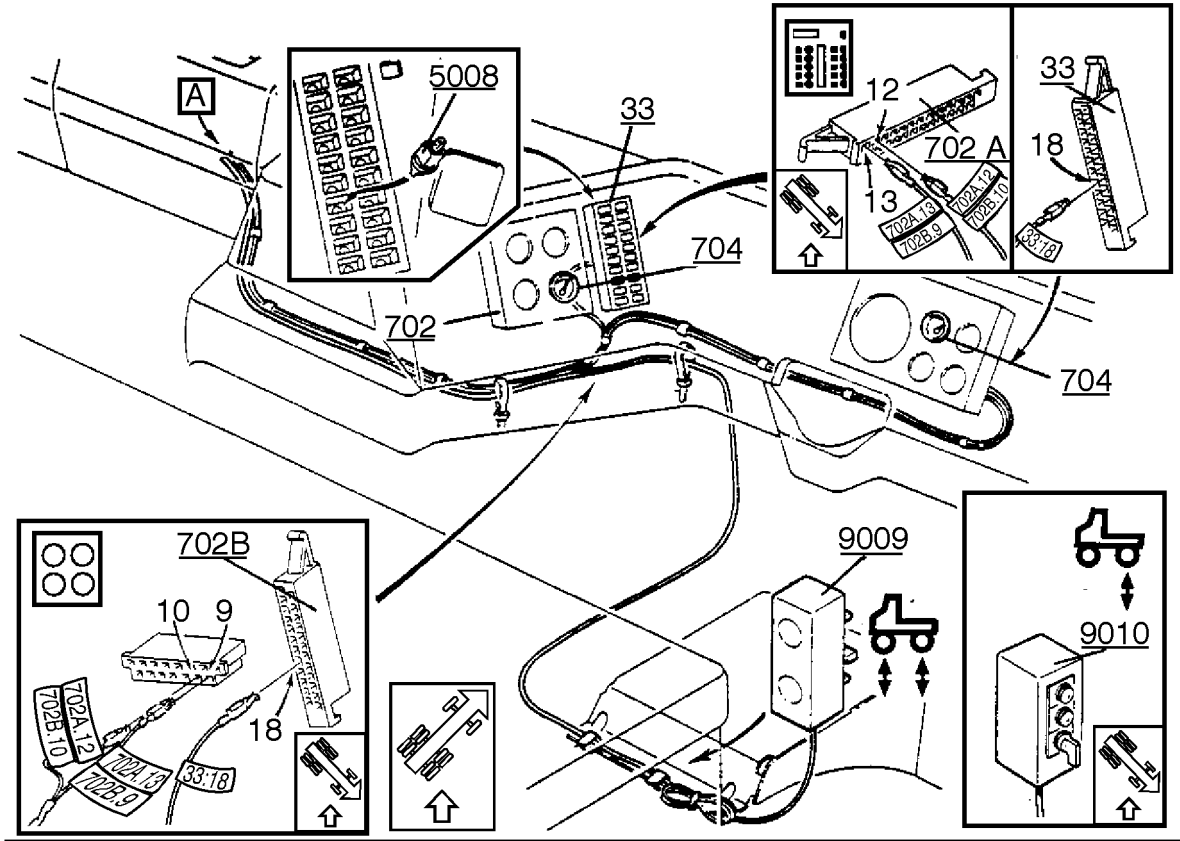
T3008318

1030 FL10

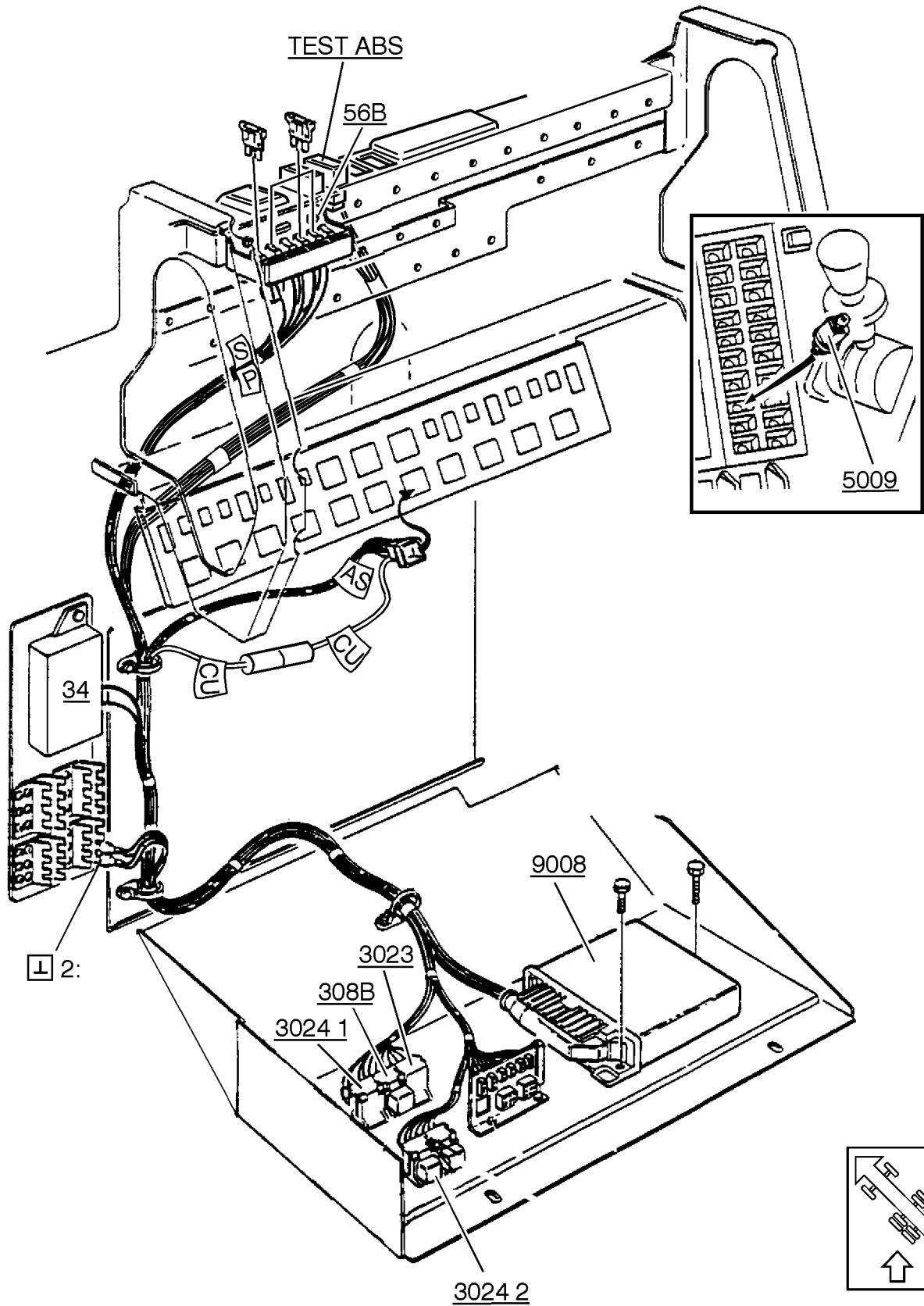


T3008329

1072 MN 4x2



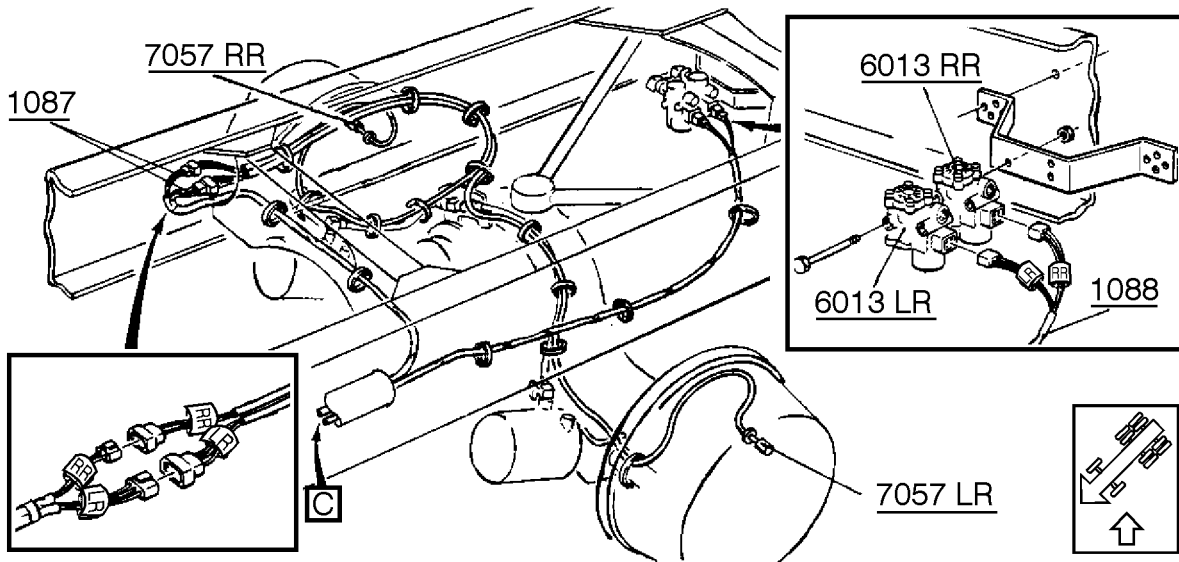
1084



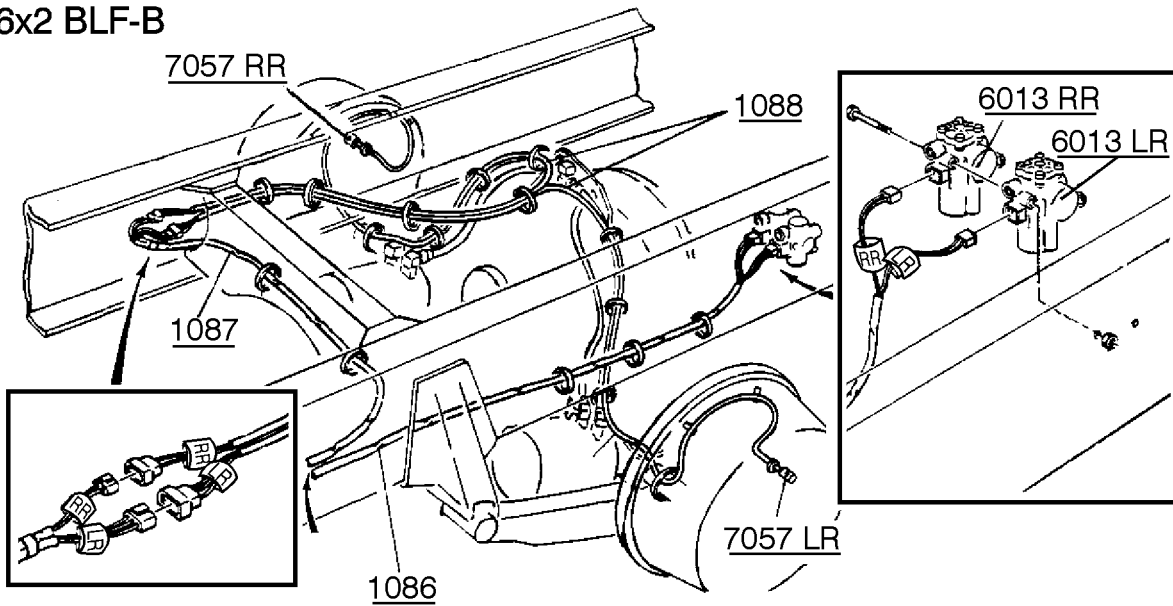
T3008360

1086, 1087, 1088

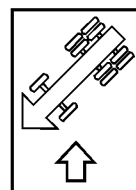
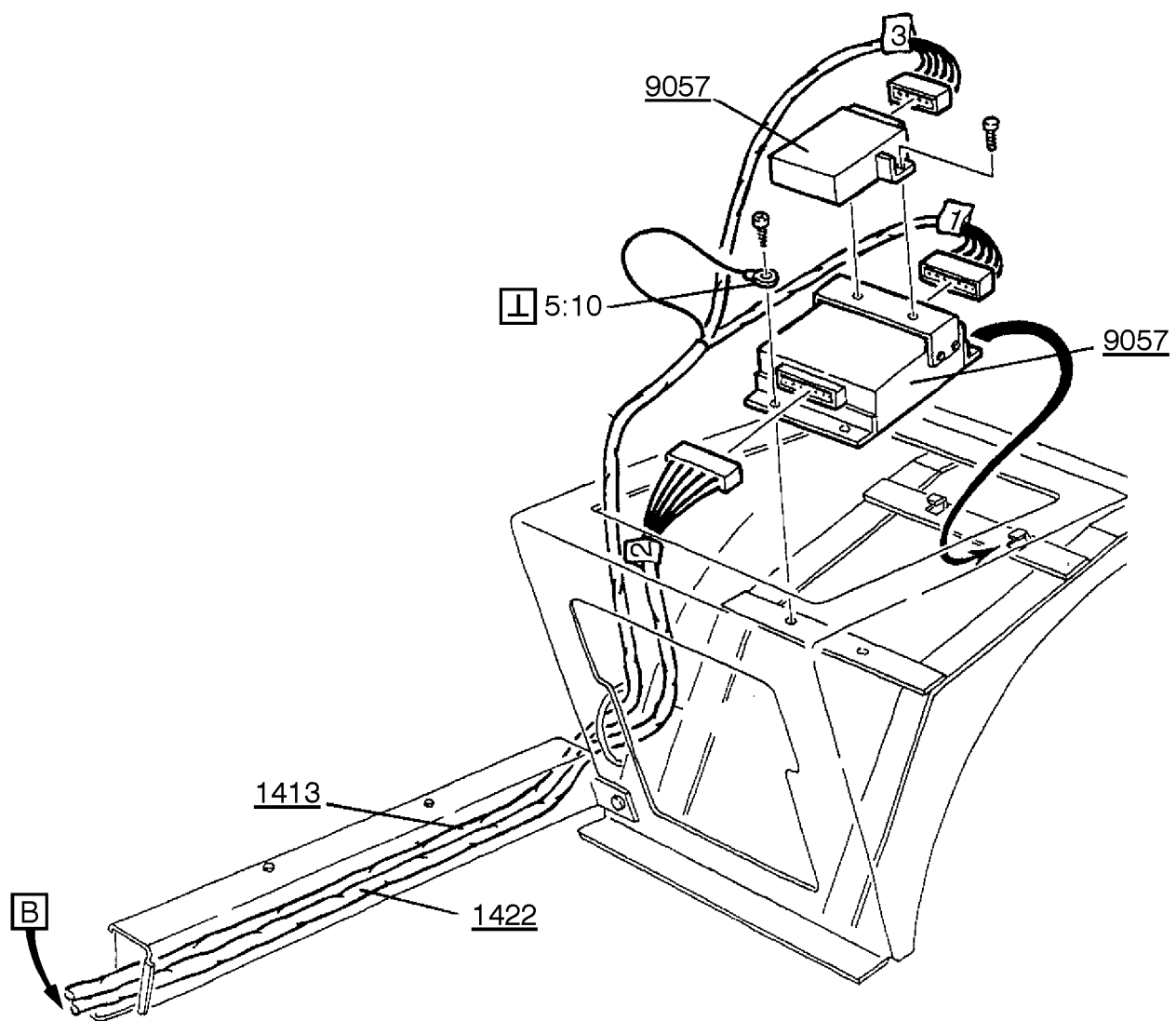
6x2, LUF-B
6x4



6x2 BLF-B



1413, 1422 Geartronic



T3008374

List of connectors

A	LO33	AGS1:1	BN41
a	LO84	AGS1:2	BN44
AA1	LK5	AGS1:3	BN55
AA1	LK5	AGS1:4	BN53
AA1	LP53	AGS1:5	LO29
AA2	LK8	AGS1:6	LO27
AA2	LK8	AGS1:7	BN10
AA2	LP52	AGS1:9	LO57
AA3	LJ18	AS1	CK10
AA3	LK12	AS2	XA9
AA3	LP25	AS3	ND8
AA4	LK40	AS4	ND27
AA4	LK40	AS5	CK13
AA4	LO66	AS6	ND26
AA4	LP50	B	LO35
AA5	BB5	b	LO86
AA5	LK42	BA1	LJ10
AA5	LP47	BA1	MA16
AA6	LK44	BA1	MD17
AA6	LK44	BA1	MG4
AA6	LP48	BA1	MK3
AA7	LK15	BA2	LJ16
AA7	LK16	BA2	MG7
AA8	LK18	BA2	MK6
AA8	LP49	BA3	LJ23
AA9	BB27	BA3	MA17
AA9	LK20	BA3	MD18
AB1	LK36	BA3	MG10
AB2	LK21	BA3	MK10
AB3	LK32	BA4	LJ5
AB3	LP37	BA4	MA5
AB4	LK25	BA4	MD7
AB4	LP55	BA5	LJ12
AB5	LK28	BA5	MA23
AB5	LP59	BA5	MD38
AB6	LK28	BA7	MA23
AB8	LP11	BA7	MD38
ABS TES	OA10	BB1	MA18
ABS TES	OB10	BB1	MD22
ABS TES	OA46	BB2	MA15
ABS TES	OB42	BB2	MD19
ABS TES	OA50	BB3	MA22
ABS TES	OB45	BB3	MD27
ABS TES	OA42	BB4	MA21
ABS TES	OB40	BB4	MD25
ABS TES	OA3	BB5	MA13
ABS TES	OB3	BB5	MD21
AD1	XD11	BC	NG40
AD2	LD9	BD1	MD30
AF1	LO8	BD1	MK19
AF1	NA39	BD2	MD32
AF2	LO10	BD2	MK21
AF2	NA33	BD3	MD33
AF3	LO11	BD3	MK22
AF3	NA35	BG1	MY35
AF5	NA15	BH	MY25
AF8	LO13	BH	MY27
AF8	NA14	BH	MY29
AGS1:8	BN24	BH	MY31
AGS/TES	LO89	BL1	EN4
AGS/TES	LO24	BL1	EN6
AGS/TES	LO22	BL2	XD5
AGS/TES	LO52	BL2	XD8
AGS/TES	LO99	BM1	MR15

List of components

24	Connector, socket/diagnostics (BN53)	42 M	Joint sleeve (HK6)
26	Connector, gearbox (LP16)	42 M	Joint sleeve (LO78)
30 A	Battery (AA6)	42 M	Joint sleeve (NG40)
30 B	Battery (AA6)	42 M	Joint sleeve (XA16)
33	Circuit card, indicator/warning lights (ND4)	42 N	Joint sleeve (CE31)
34	Connector (AA7)	42 N	Joint sleeve (LO60)
36	Connector, tail lamp junction box (CE3)	42 O	Joint sleeve (BB34)
36	Connector, tail lamp junction box (CE36)	42 O	Joint sleeve (BB43)
36	Connector, tail lamp junction box (CE5)	42 O	Joint sleeve (GA39)
36	Connector, tail lamp junction box (CK13)	42 P	Joint sleeve (AA23)
36	Connector, tail lamp junction box (CK8)	42 P	Joint sleeve (BB13)
36	Connector, tail lamp junction box (CN13)	42 P	Joint sleeve (BN28)
36	Connector, tail lamp junction box (CN16)	42 P	Joint sleeve (ND35)
36	Connector, tail lamp junction box (CN6)	42 P	Joint sleeve (NK19)
36	Connector, tail lamp junction box (CN9)	42 R	Joint sleeve (LG11)
36	Connector, tail lamp junction box (EA14)	42 R	Joint sleeve (NA18)
36	Connector, tail lamp junction box (EA7)	42 R	Joint sleeve (NG17)
36	Connector, tail lamp junction box (EG8)	42 S	Joint sleeve (BB22)
36	Connector, tail lamp junction box (EN3)	42 S	Joint sleeve (NA47)
36	Connector, tail lamp junction box (NA22)	42 S	Joint sleeve (ND37)
36	Connector, tail lamp junction box (ND45)	42 S	Joint sleeve (NK26)
42 A	Joint sleeve (CE13)	42 T	Joint sleeve (EV4)
42 A	Joint sleeve (CH11)	42 T	Joint sleeve (ND27)
42 AP	Joint sleeve (LP55)	42 T	Joint sleeve (NG46)
42 AP	Joint sleeve (LP9)	42 T	Joint sleeve (XD46)
42 AS	Joint sleeve (LO66)	42 U	Joint sleeve (NA25)
42 AS	Joint sleeve (LO87)	42 U	Joint sleeve (ND38)
42 AS	Joint sleeve (LO97)	42 V	Joint sleeve (HA11)
42 AT	Joint sleeve (LO43)	42 V	Joint sleeve (HA39)
42 AT	Joint sleeve (LO78)	42 V	Joint sleeve (HA66)
42 D	Joint sleeve (GA27)	42 V	Joint sleeve (LK16)
42 D	Joint sleeve (HD5)	42 V	Joint sleeve (NA63)
42 D	Joint sleeve (LD17)	42 V	Joint sleeve (NG16)
42 D	Joint sleeve (LG27)	42 V	Joint sleeve (NK7)
42 F	Joint sleeve (CE53)	42 X	Joint sleeve (ER23)
42 F	Joint sleeve (CG8)	42 X	Joint sleeve (NA14)
42 F	Joint sleeve (EG9)	42 X	Joint sleeve (NG15)
42 F	Joint sleeve (NG6)	42 X	Joint sleeve (NK17)
42 G	Joint sleeve (CE52)	42 Y	Joint sleeve (CE55)
42 G	Joint sleeve (CG8)	42 Y	Joint sleeve (NA12)
42 G	Joint sleeve (EG9)	44	Circuit card, gear lever carrier, Geartronic (LO43)
42 G	Joint sleeve (NG49)	51	Fuse holder 1-unit (BG7)
42 G	Joint sleeve (XD17)	51	Fuse holder 1-unit (BK15)
42 H	Joint sleeve (HG13)	51	Fuse holder 1-unit (BK30)
42 H	Joint sleeve (LD13)	51	Fuse holder 1-unit (LE9)
42 H	Joint sleeve (LG19)	56	Fuse holder, 6-unit (XA12)
42 H	Joint sleeve (LG8)	56	Fuse holder, 6-unit (XA14)
42 J	Joint sleeve (CE20)	56	Fuse holder, 6-unit (XA16)
42 J	Joint sleeve (EV6)	56	Fuse holder, 6-unit (XA18)
42 J	Joint sleeve (HG13)	56	Fuse holder, 6-unit (XA2)
42 J	Joint sleeve (LD13)	56	Fuse holder, 6-unit (XA4)
42 J	Joint sleeve (LG19)	56 B	Fuse holder, 6-unit (OA11)
42 J	Joint sleeve (NG36)	56 B	Fuse holder, 6-unit (OA14)
42 J	Joint sleeve (XA18)	56 B	Fuse holder, 6-unit (OA2)
42 J	Joint sleeve (XD27)	56 B	Fuse holder, 6-unit (OA5)
42 K	Joint sleeve (CE10)	56 B	Fuse holder, 6-unit (OA8)
42 K	Joint sleeve (ED8)	56 B	Fuse holder, 6-unit (OB11)
42 K	Joint sleeve (EN10)	56 B	Fuse holder, 6-unit (OB14)
42 L	Joint sleeve (CE29)	56 B	Fuse holder, 6-unit (OB2)
42 L	Joint sleeve (ED7)	56 B	Fuse holder, 6-unit (OB5)
42 L	Joint sleeve (EN10)	56 B	Fuse holder, 6-unit (OB8)
42 L	Joint sleeve (ER13)	56 F	Fuse holder 6-unit (AA30)
42 L	Joint sleeve (HC9)	56 F	Fuse holder 6-unit (BN67)
42 L	Joint sleeve (LO39)	56 F	Fuse holder 6-unit (LO72)

Abbreviations

AGS	Automatic gearshift (Geartronic)	L	Left
AUS	Australia-market	L	Lower
AVGASB2	Exhaust pressure governor, normal	LF	Left front
AVGASB4	Exhaust pressure governor, strongly	LH	Long length cab
BY-PASS	With by-pass valve	LHD	Left hand drive
C	Centre	LL	Left lower
CU-ACAUT	Climate unit, air condition automatic	LR	Left rear
CU-ACMAN	Climate unit, air condition manual	LU	Left upper
CU-HEAT	Climate unit, heater	MGS	Manual gearshift
D	Driver	P	Passenger
"EG"	EC-market	PTO	Power take off
ENG-GEN1	Engine generation 1	R	Right
ENG-GEN2	Engine generation 2	RF	Right front
ENG-GEN3	Engine generation 3	RHD	Right hand drive
ENG-GEN4	Engine generation 4	RIGID	Platform and tipper truck
F	Front	RL	Right lower
GB	Great Britain-market	RR	Right rear
INFOSYST	Driver Information System	RU	Right upper
KH	Short length cab	TRACTOR	Semi-trailer tractor
KONVSYST	Standard information system	U	Upper
		UBY-PASS	Without by-pass valve
		VAB2500	Vehicle width 2500 mm