















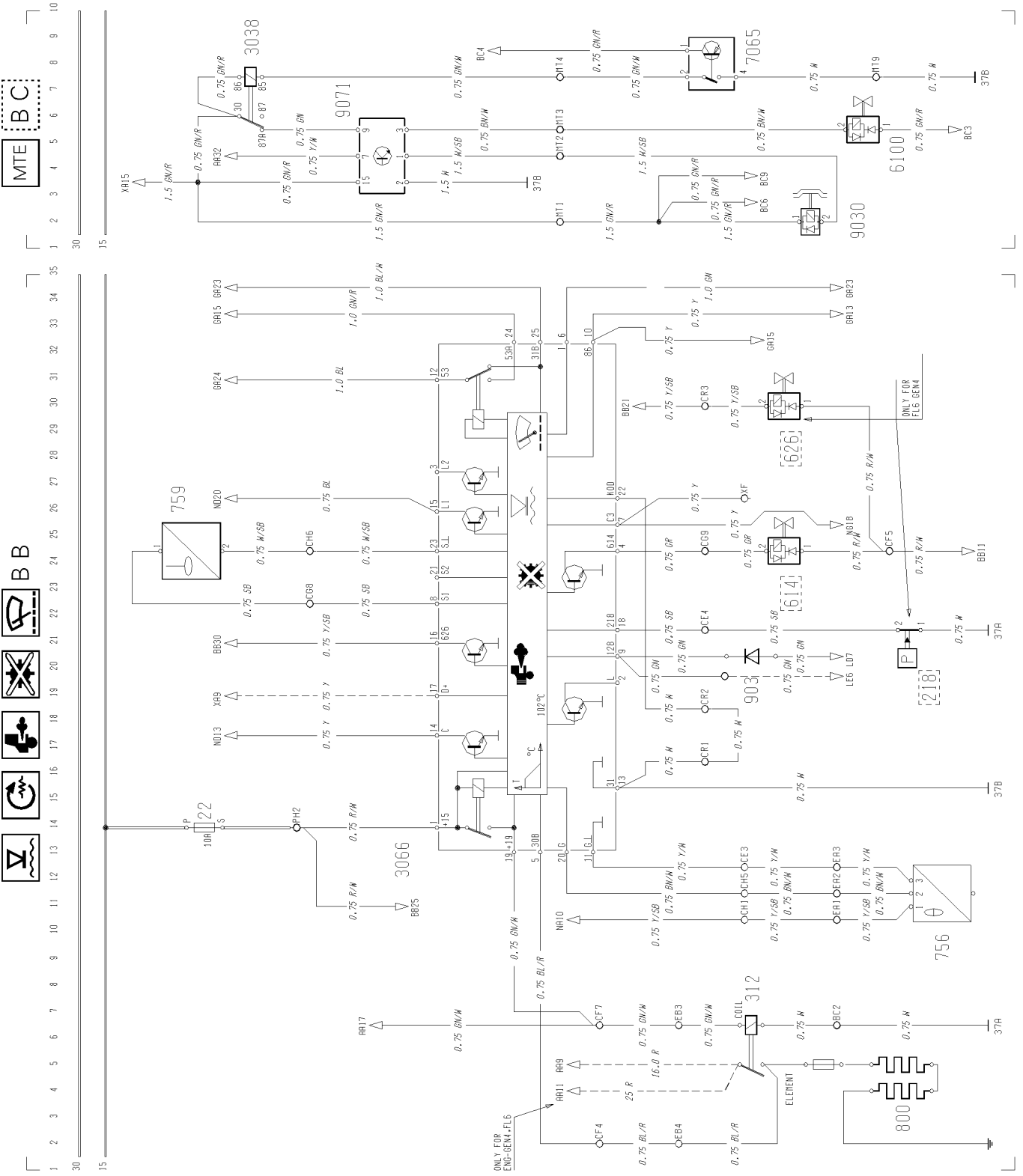
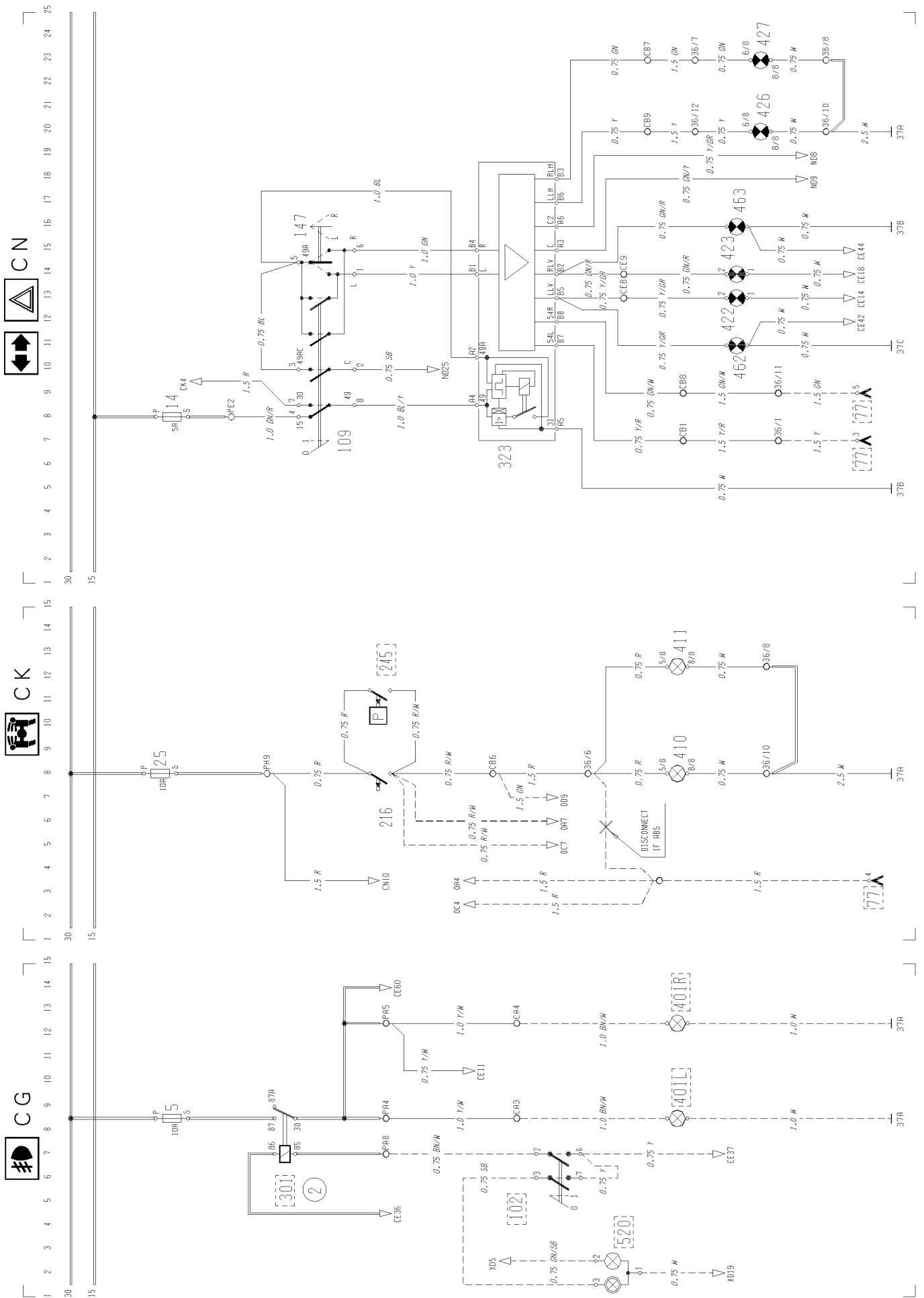


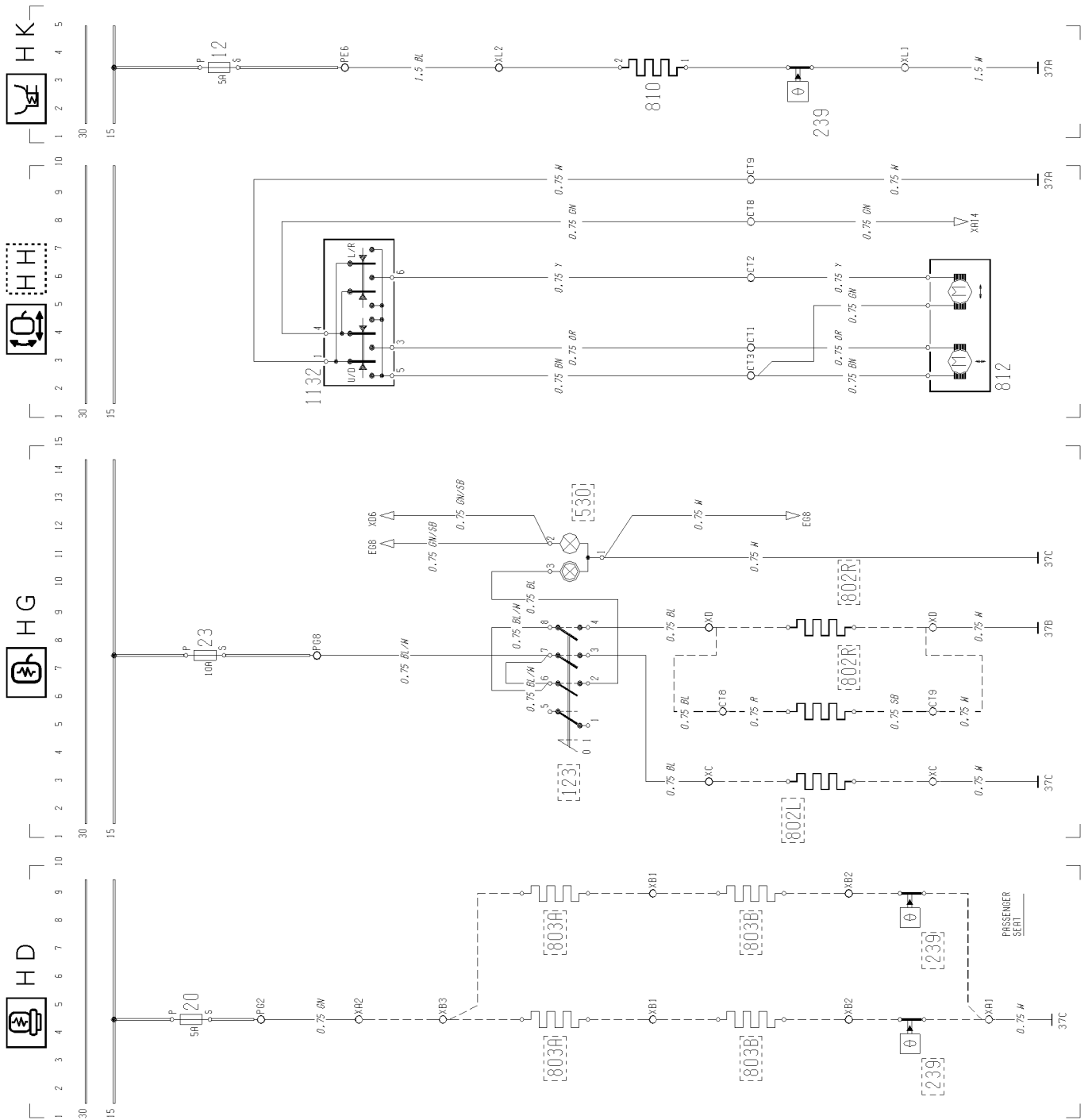
Component wiring diagram index

	AA	Starter system	page 5
	BB	Coolant level, coolant temperature, preheating, exhaust pressure governor, exhaust brake, range inhibitor, interval wipe	page 6
	BC	Engine control, Supercharger	page 6
	BG	Engine shut-off	page 7
	BK	Speed limitation	page 7
	CE	Head lights, position lights, marker lights, DRL, spotlights	page 8
	CG	Front fog lights	page 9
	CK	Brake lights	page 9
	CN	Direction indicators, hazard warning lights	page 9
	EA	Reversing lights, reversing warning	page 10
	ED	Loading light, fifth wheel light	page 10
	EG	Rear fog lights	page 10
	EN	Rotating warning light	page 11
	ER	Interior lights	page 11
	EV	Cigarette lighter	page 11
	FA	Horn	page 11

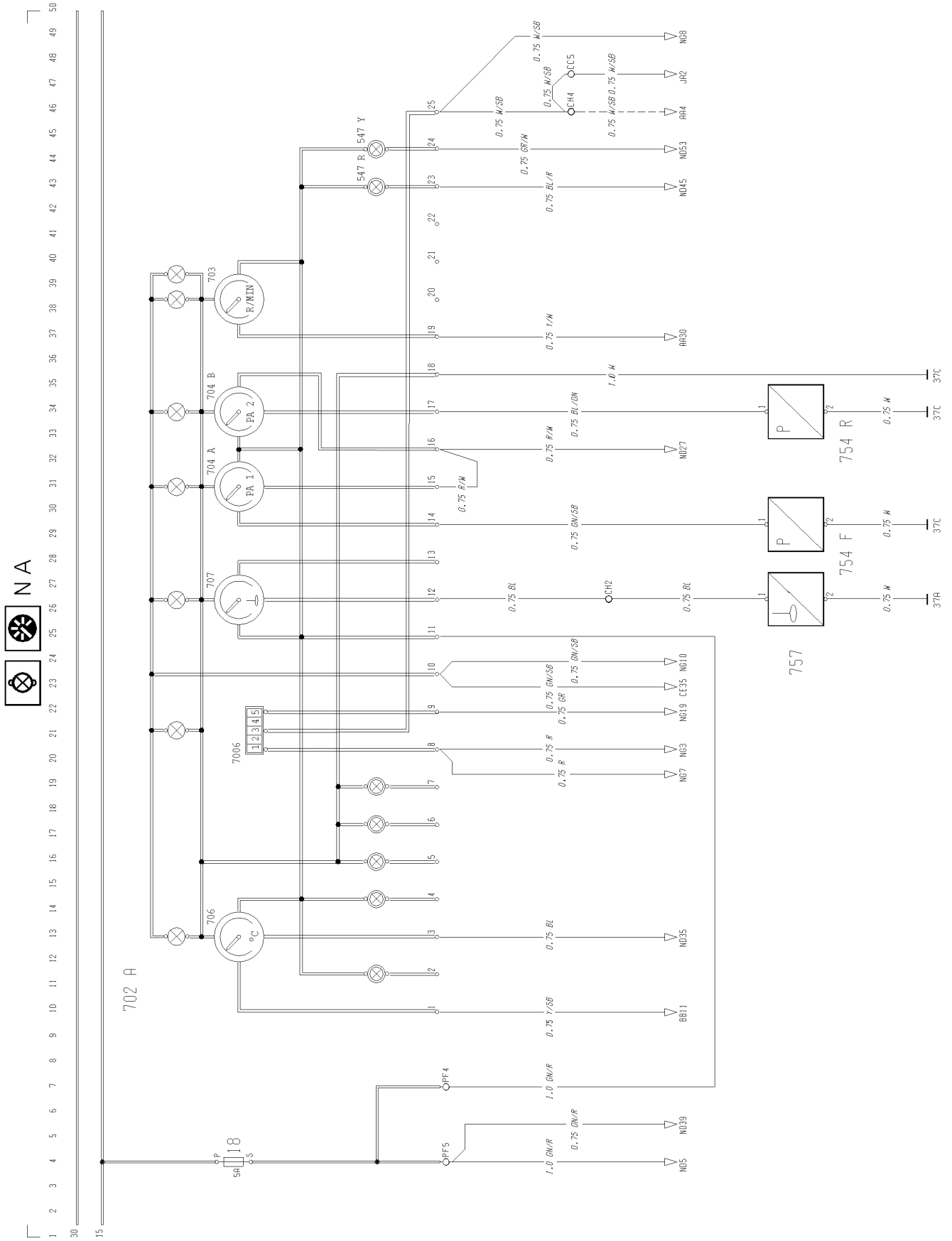


T3008443





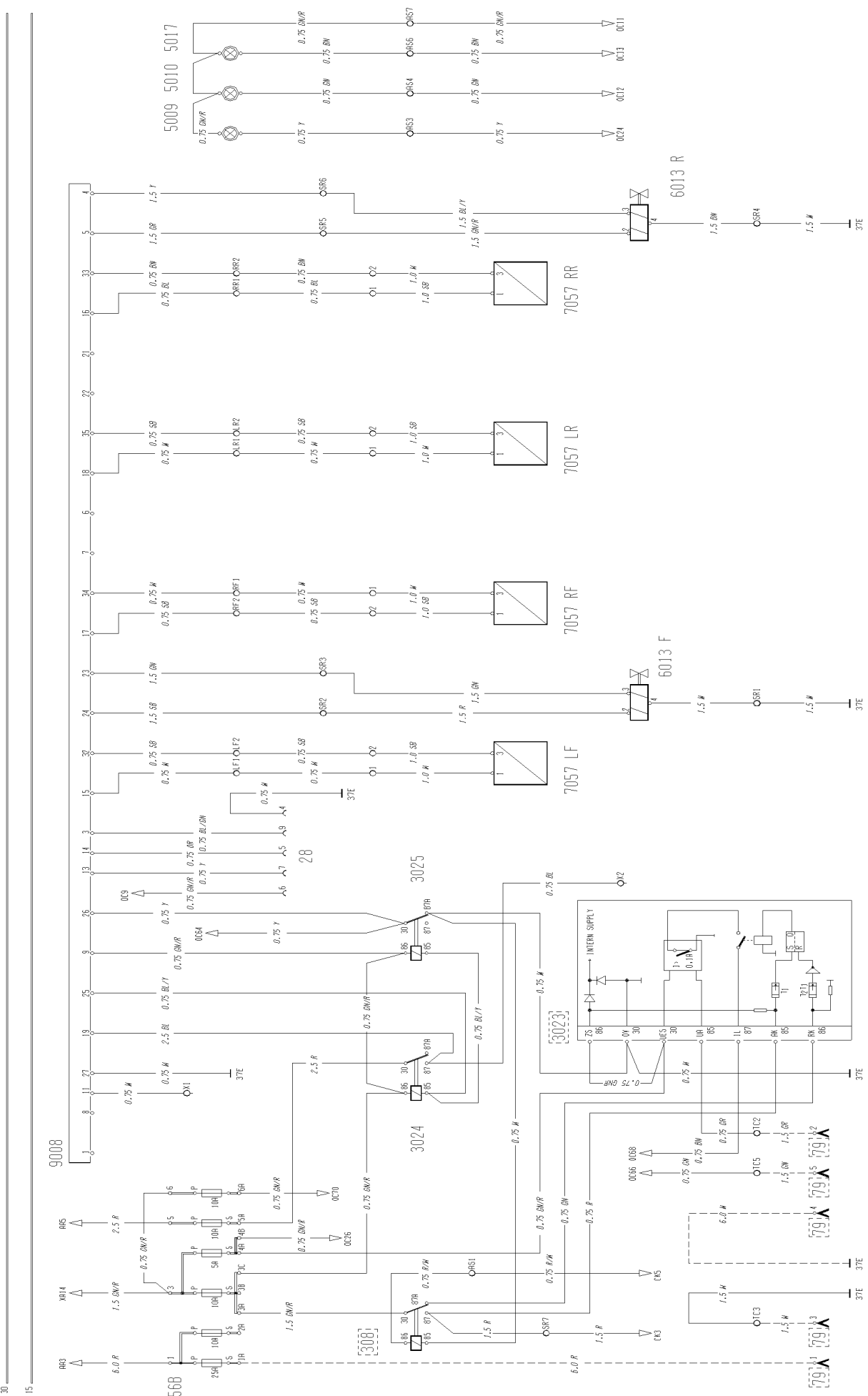
T3008452



T3008459

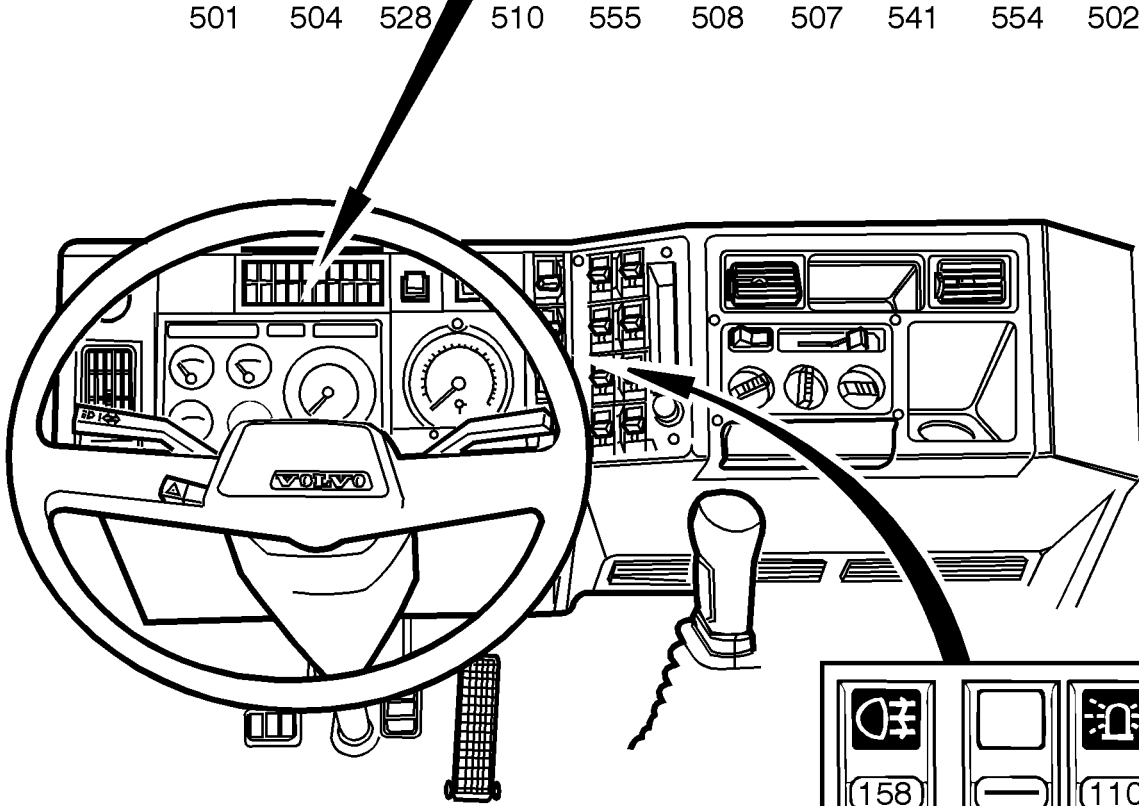


1 2 3 4 5 6 7 8 9 10 11 12 13 14 15 16 17 18 19 20 21 22 23 24 25 26 27 28 29 30 31 32 33 34 35 36 37 38 39 40 41 42 43 44 45 46 47 48 49 50 51 52 53 54 55 56 57 58 59 60 61 62 63 64 65 66 67 68 69 70



Illustrations

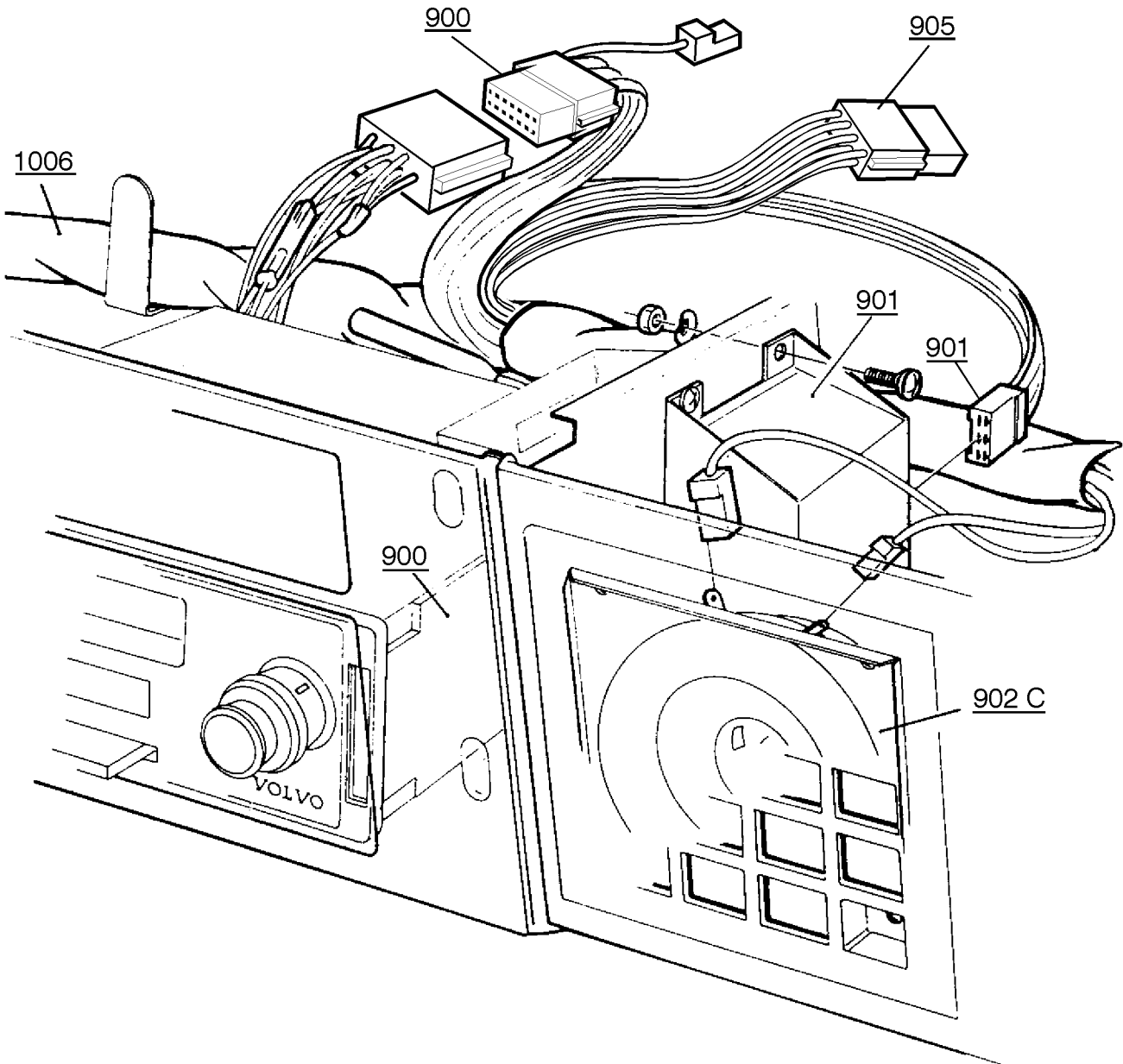
500	5028	5008	514	5010	515	507	503	505	550
501	504	528	510	555	508	507	541	554	5027



158		110
123	104	102
126	111	103
	LOCK-UP	
128	178	1118

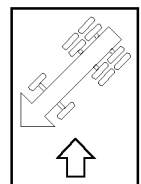
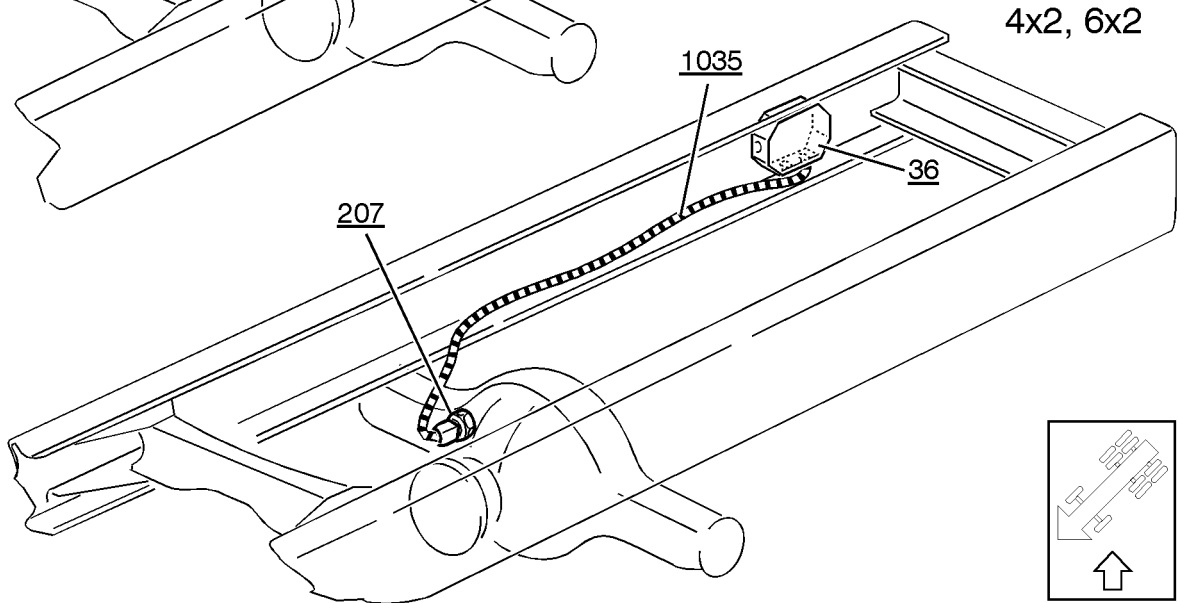
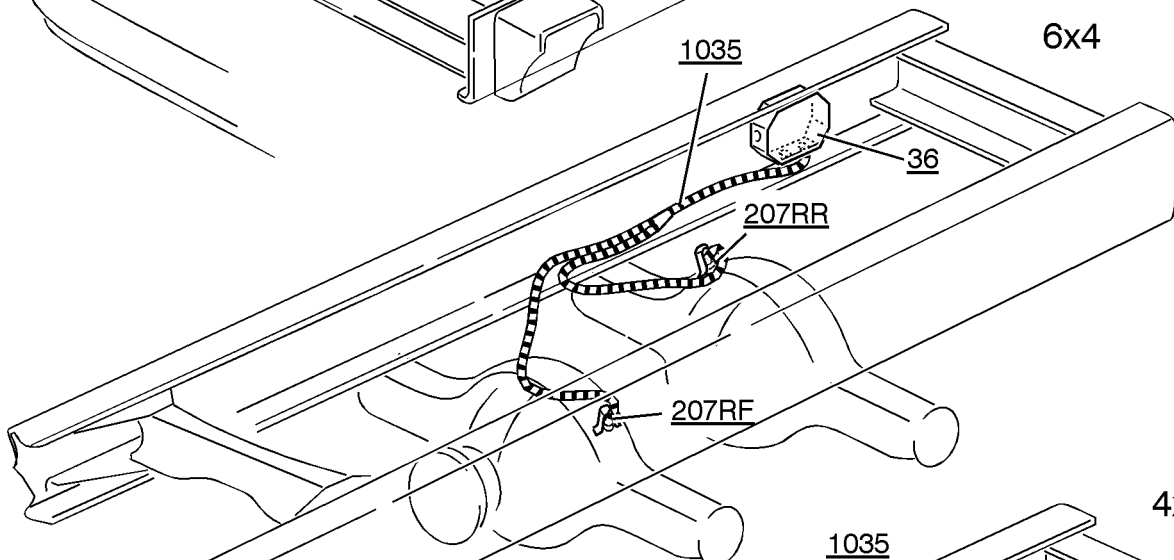
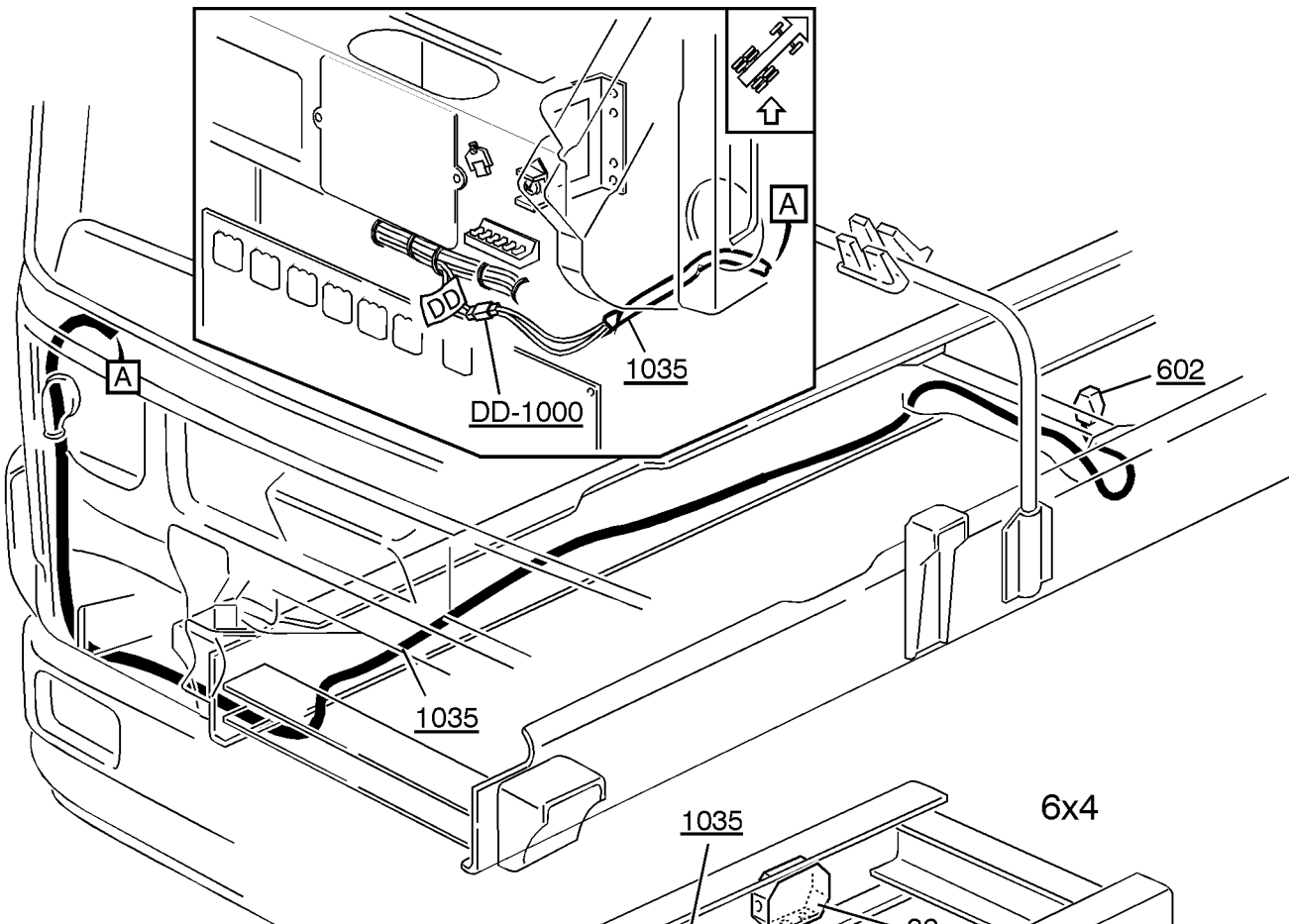
T3008470

1006



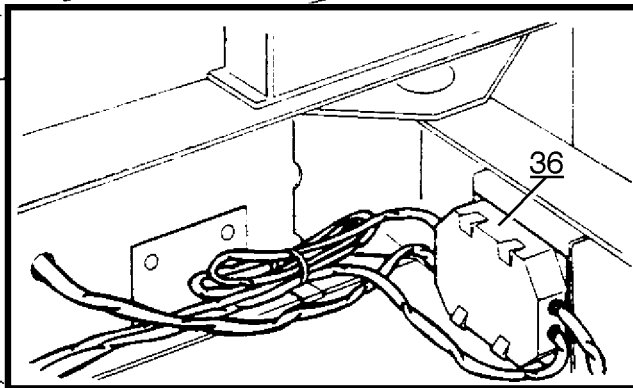
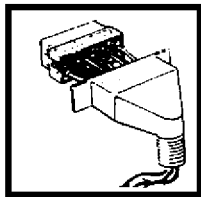
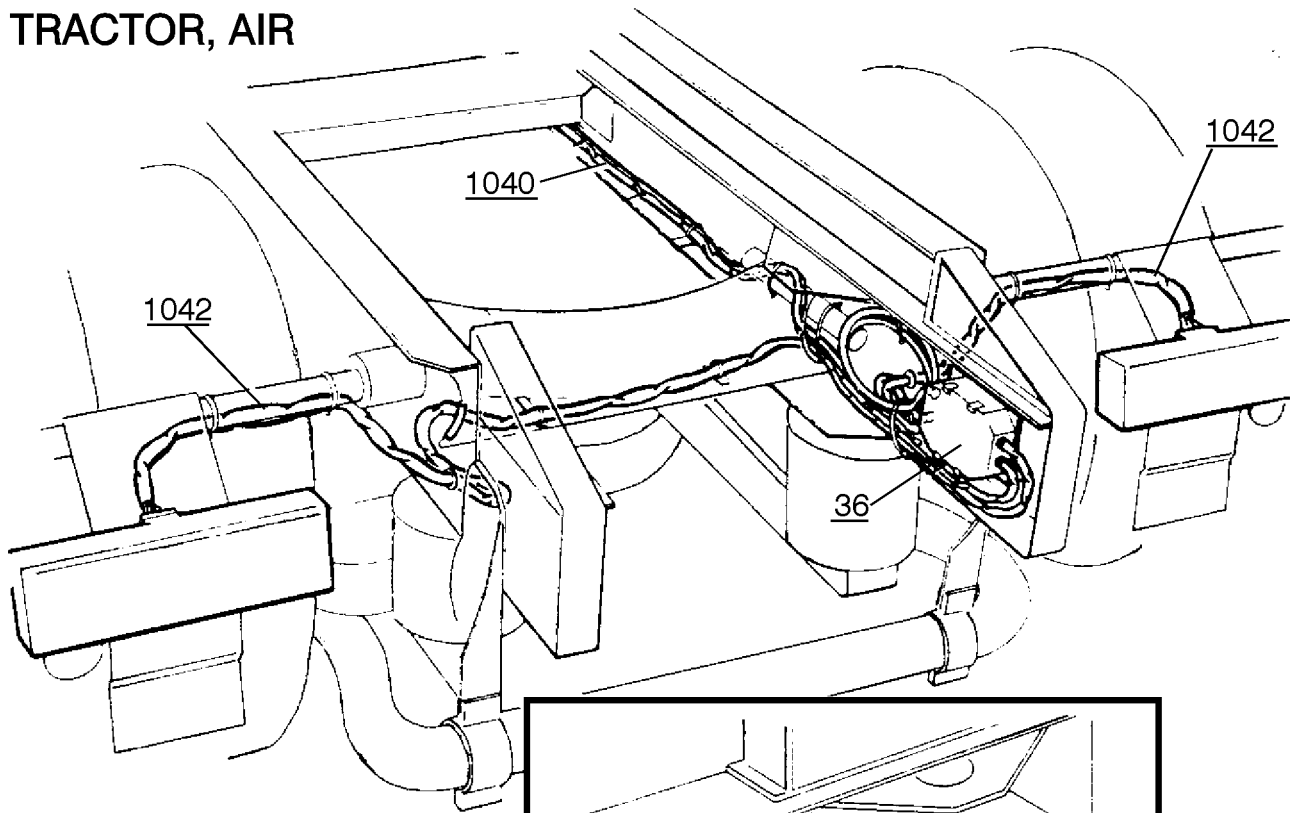
T3008474

1035

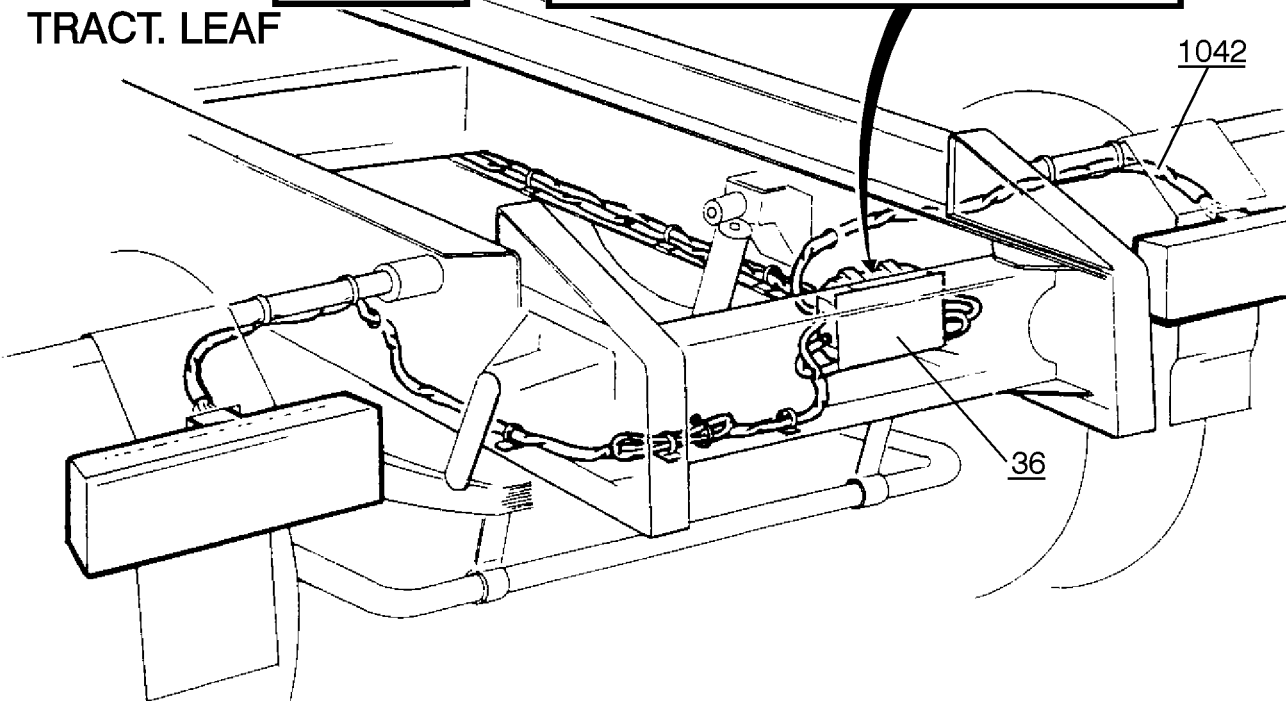


1040, 1042

TRACTOR, AIR

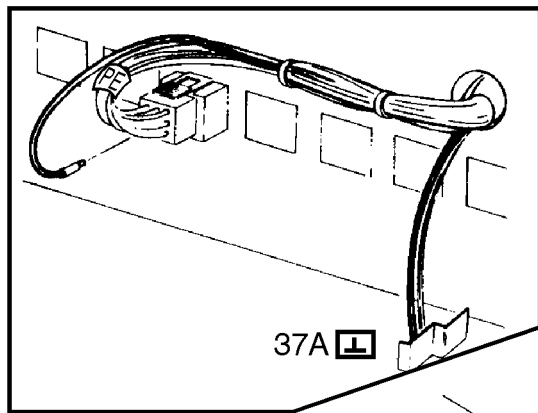
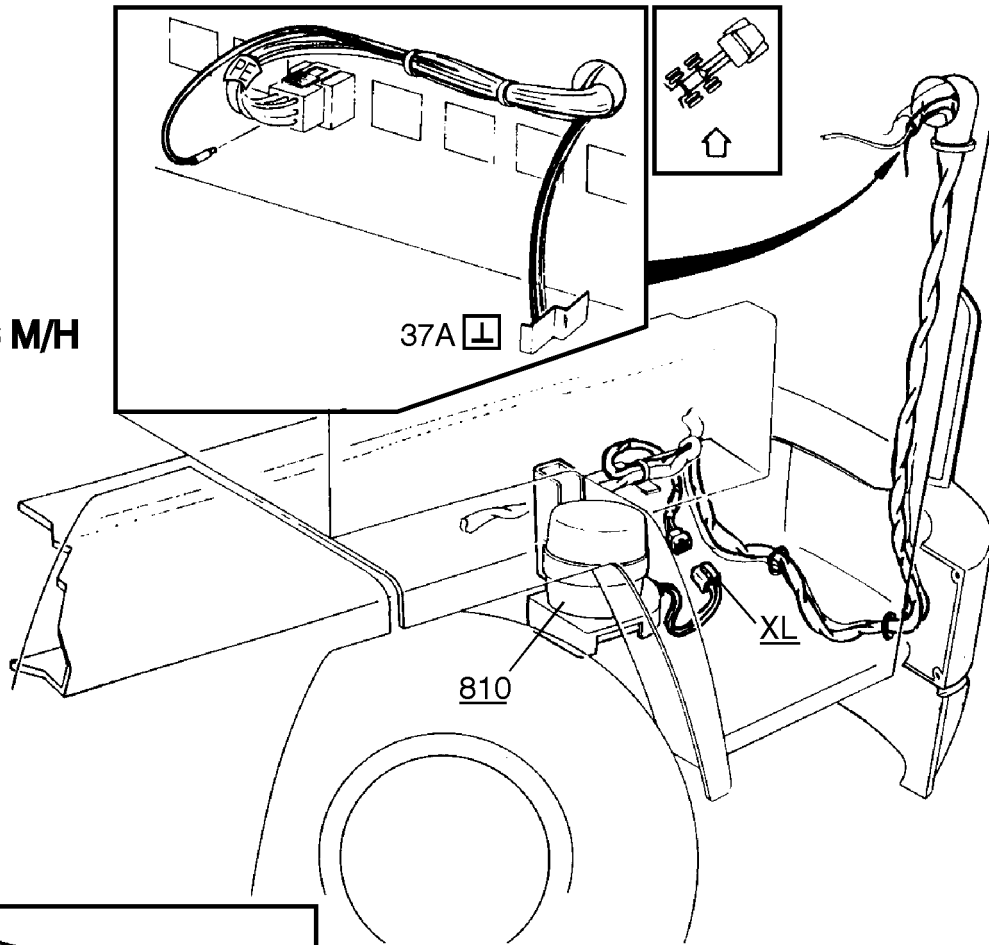


TRACT. LEAF

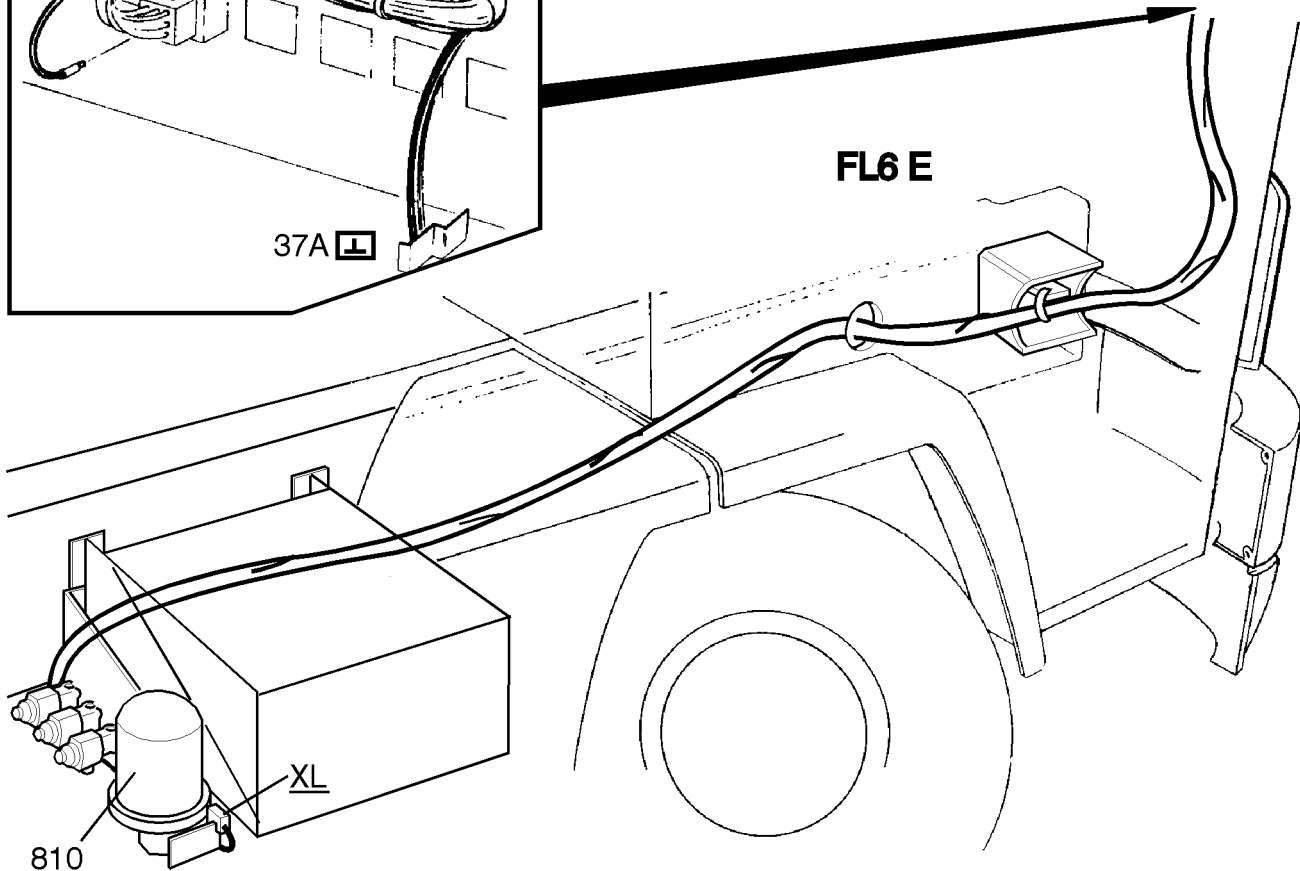


1056

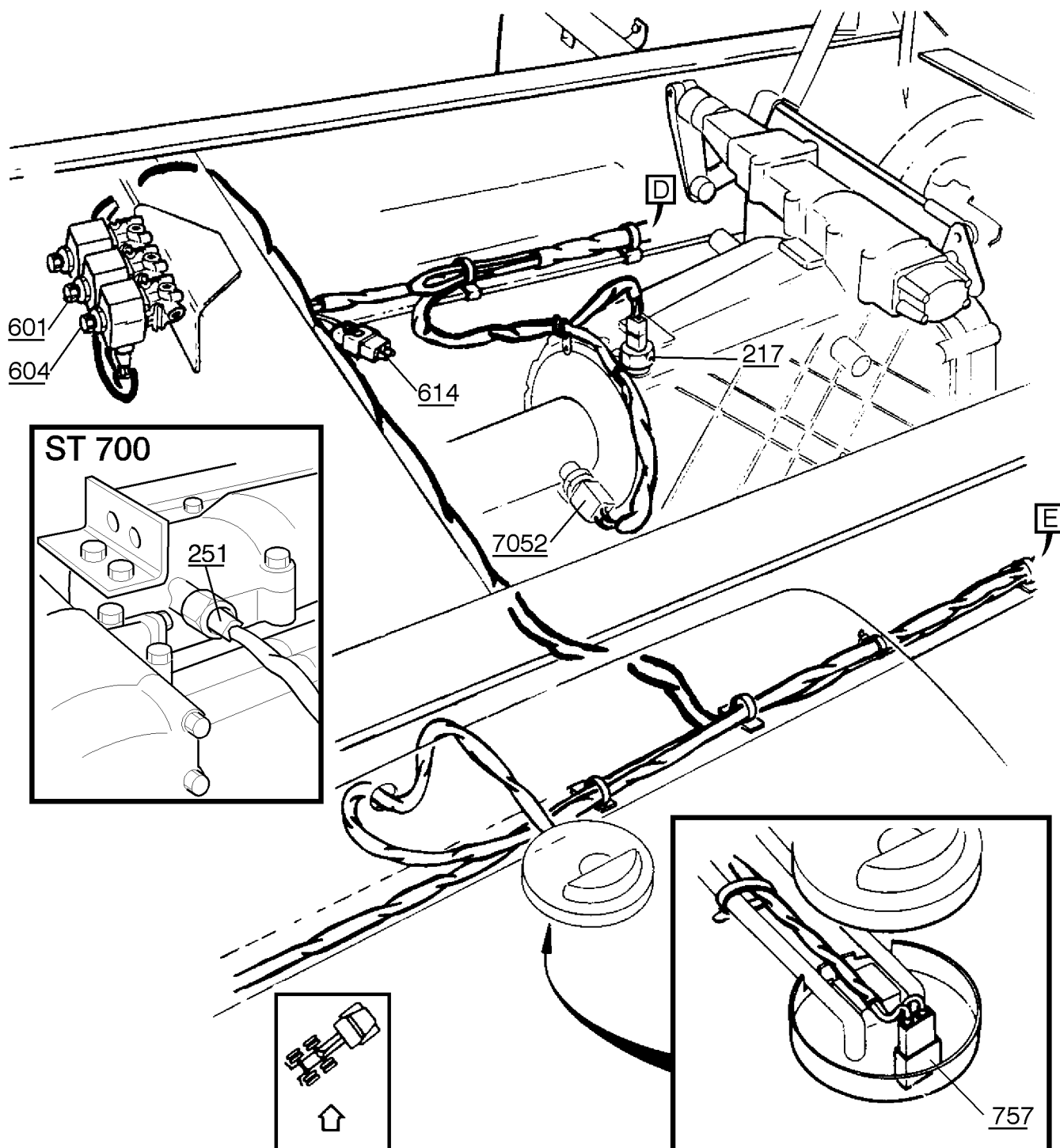
FL6 M/H



FL6 E

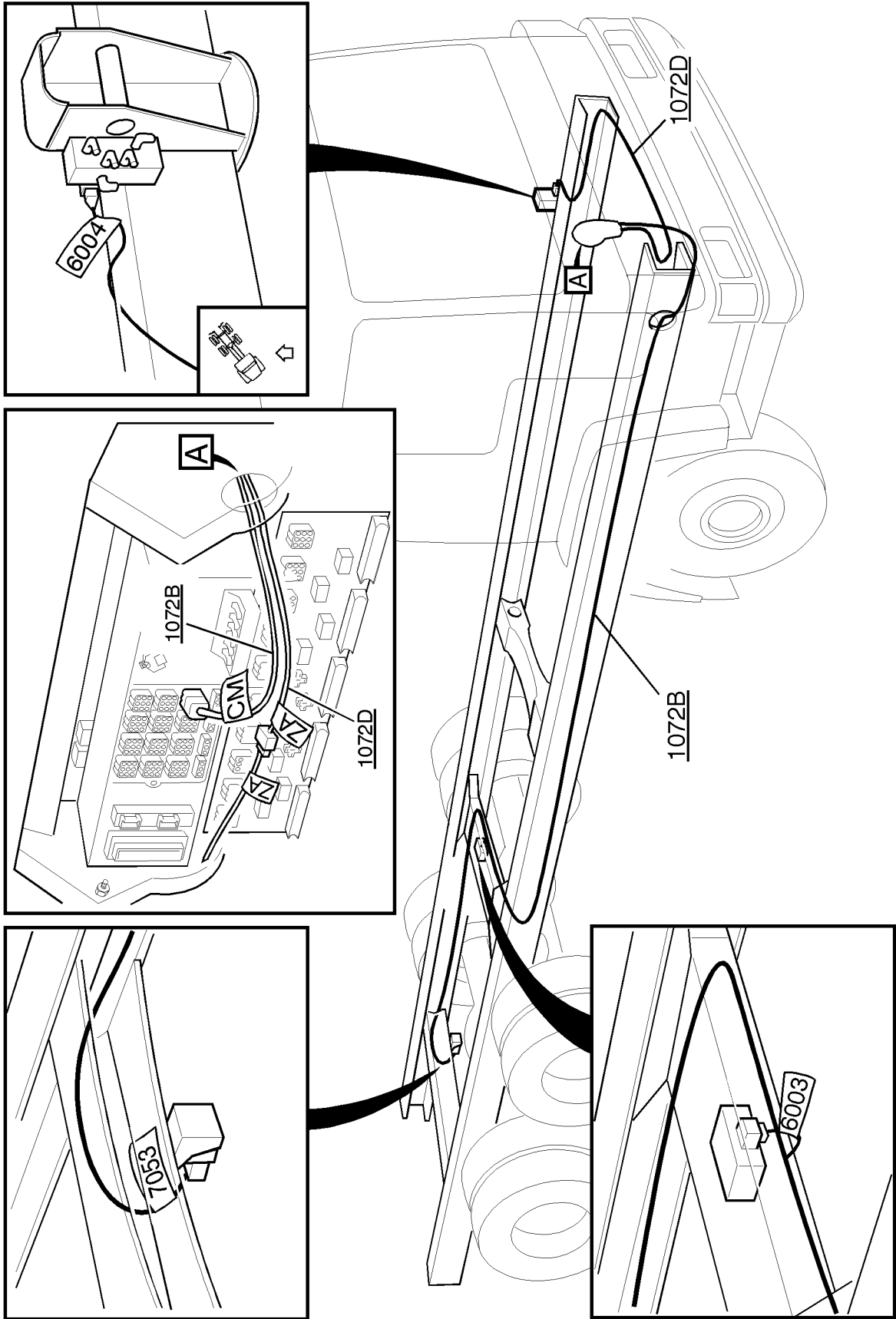


1057
FL6M,H
T700



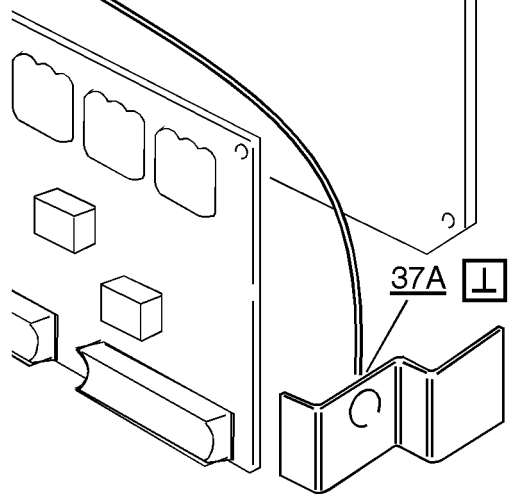
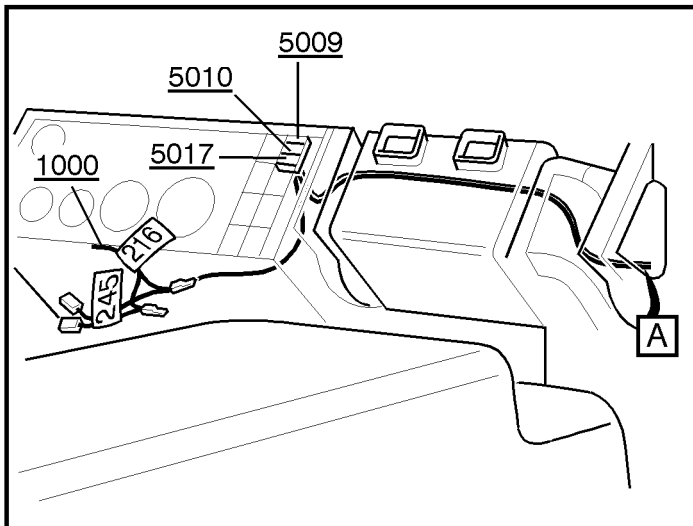
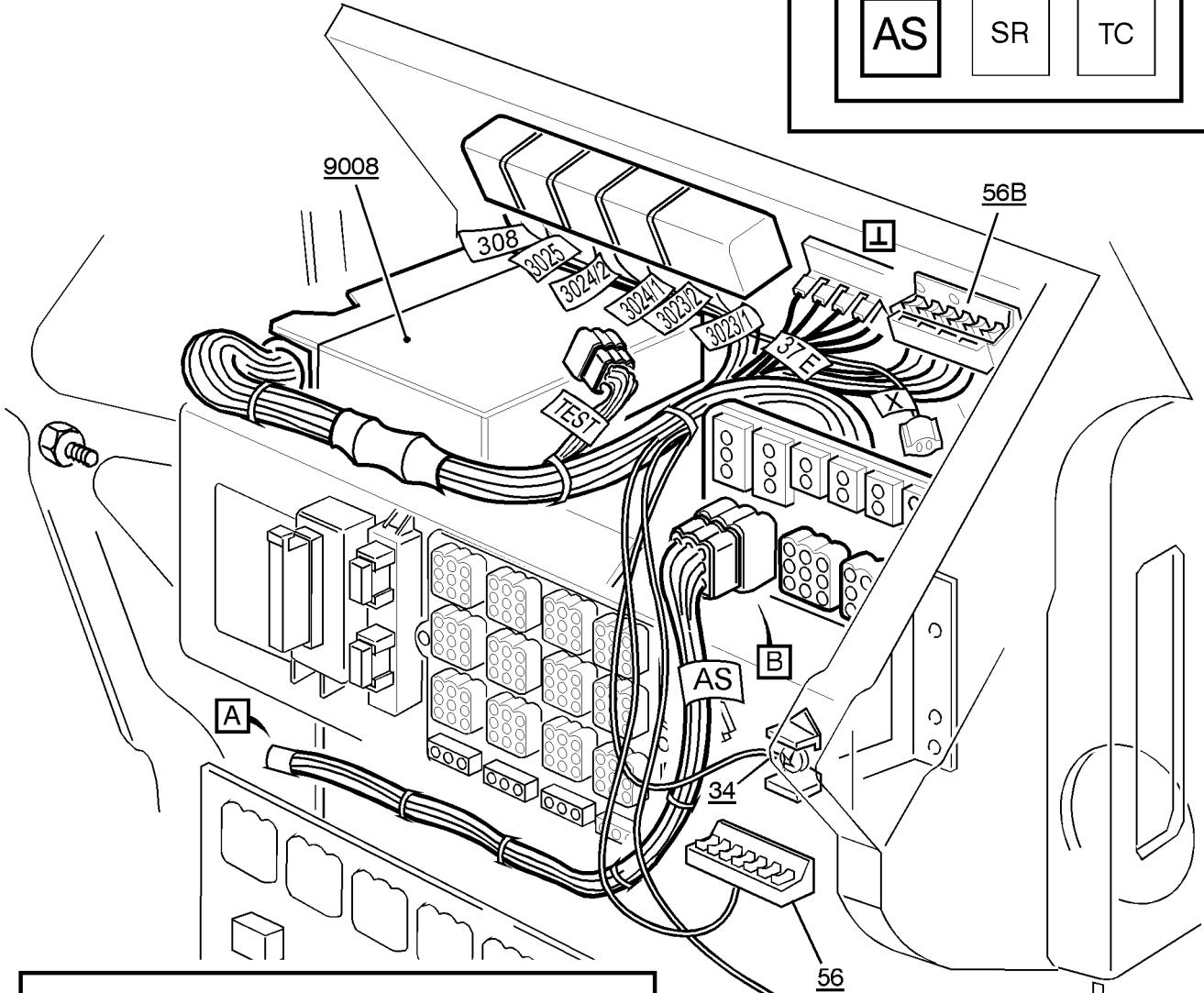
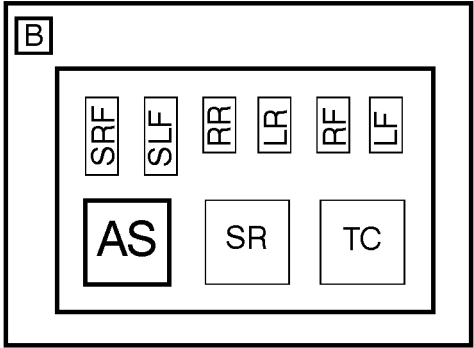
T3007847

1072B, 1072D



T3008487

1084



T3008488

1468

