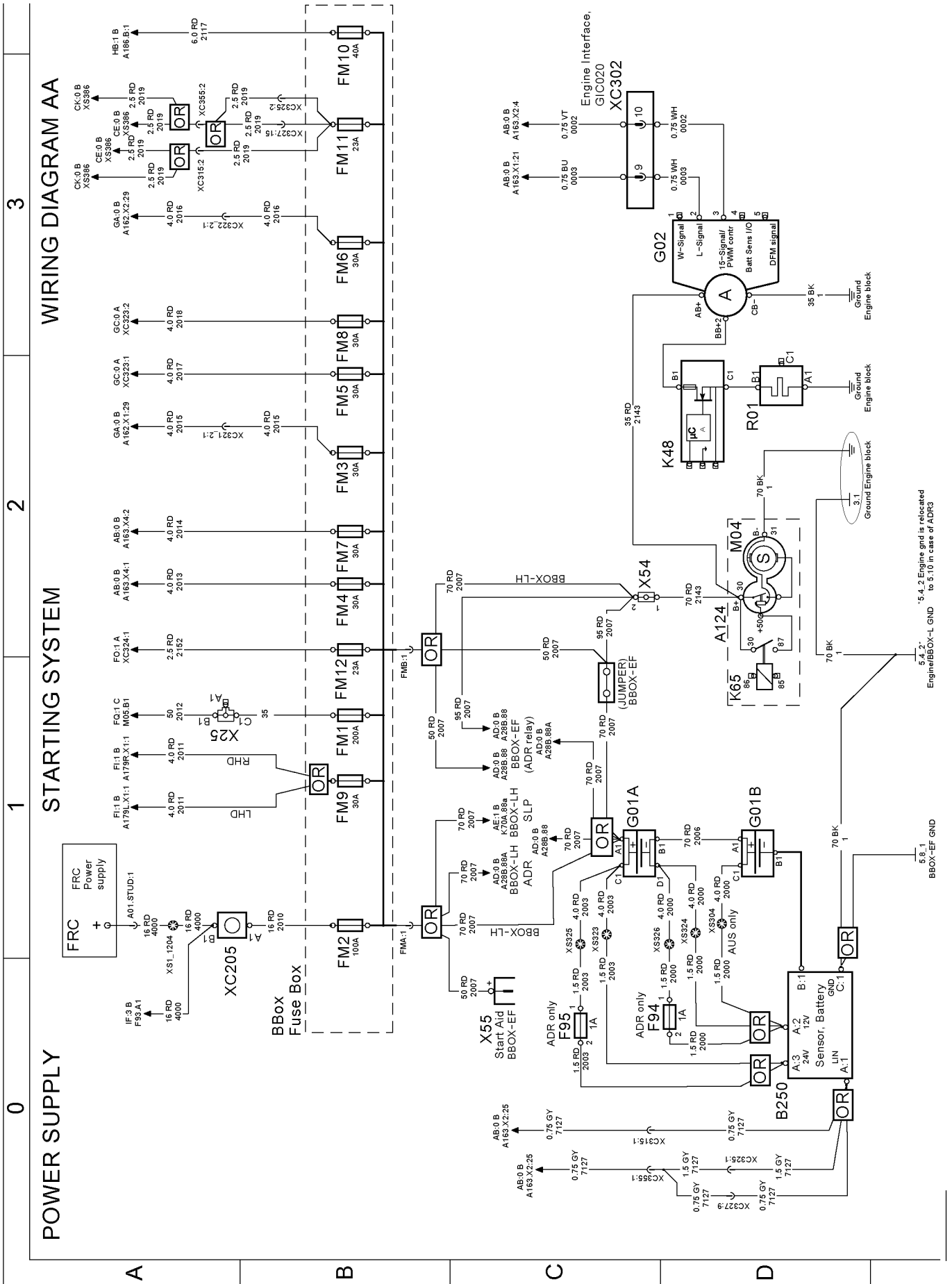


Contents

Component wiring diagram index	1
Component wiring diagrams	5
Illustrations index	124
Illustrations	125
Fuses	220
Relays	223
FRC (A01) connectors	225
Wiring harness layout	229
Ground connections	231
List of connectors	232
List of components	274
Abbreviations	287
Cable colour code	289
Feedback	291

Component wiring diagrams



T3086397

0

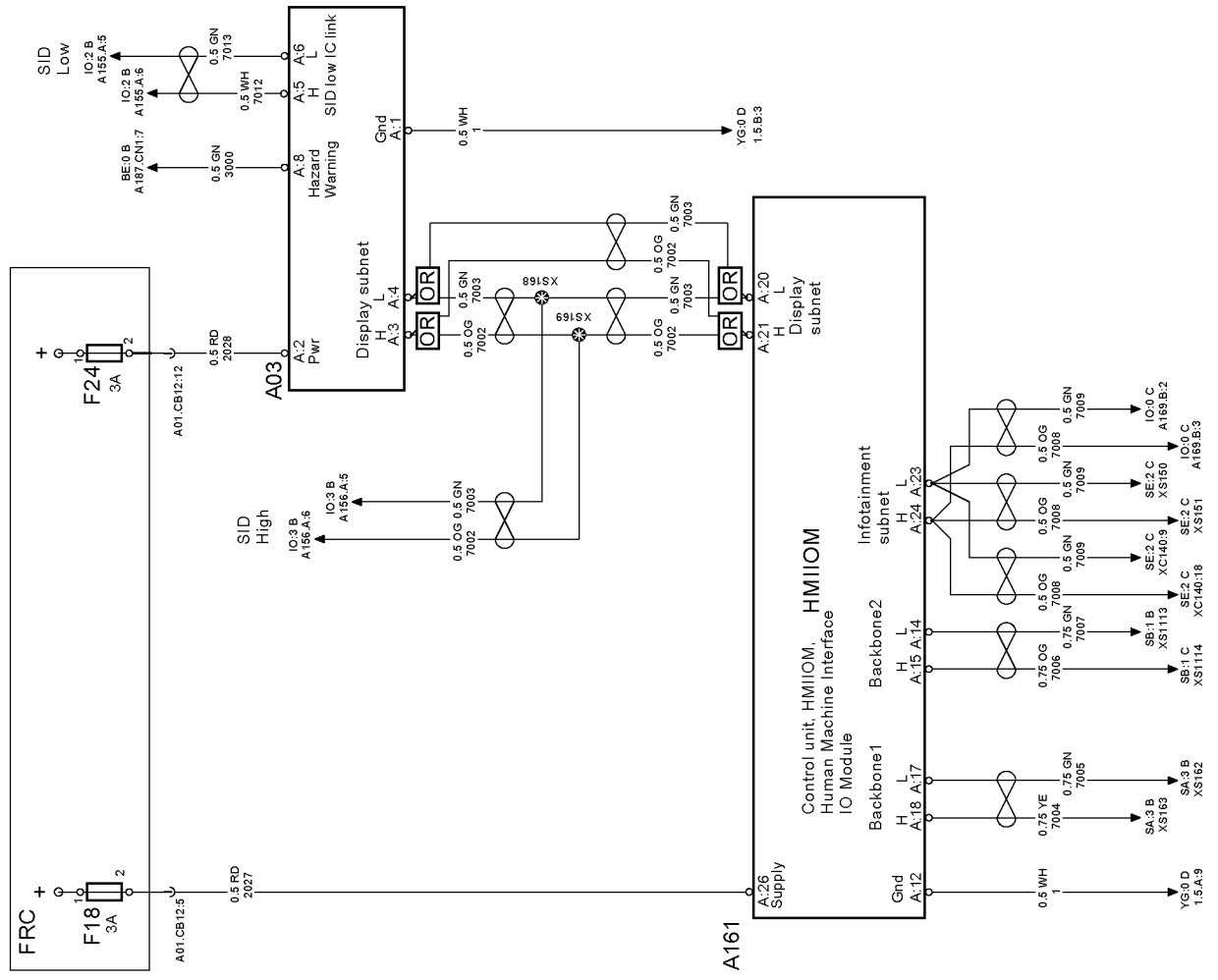
1

2

3

INSTRUMENT

WIRING DIAGRAM BA



A

B

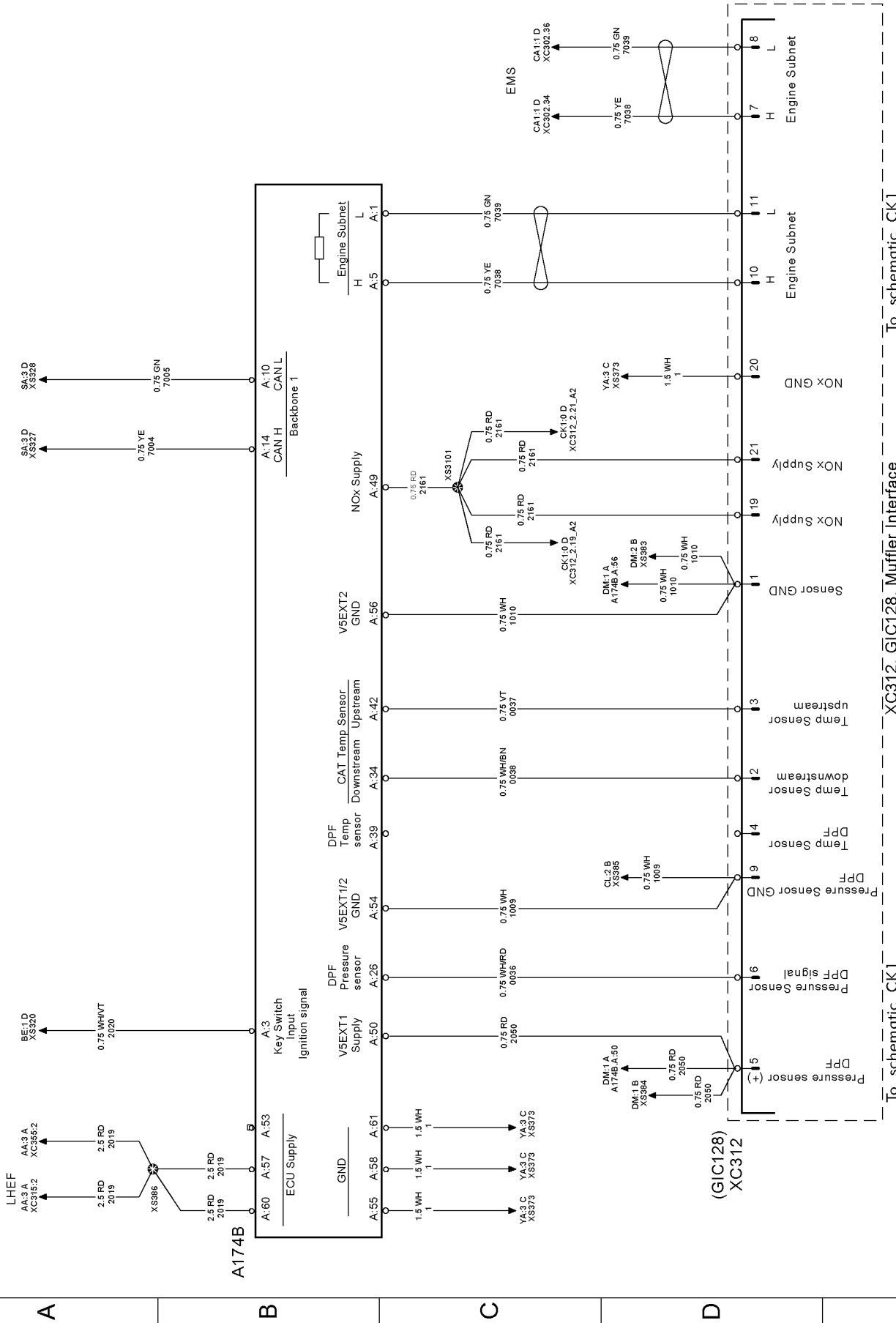
C

D

WIRING DIAGRAM CK

EM-EU6

AFTER TREATMENT SYSTEM



WIRING DIAGRAM EF

FRONT AXLE MODULATOR

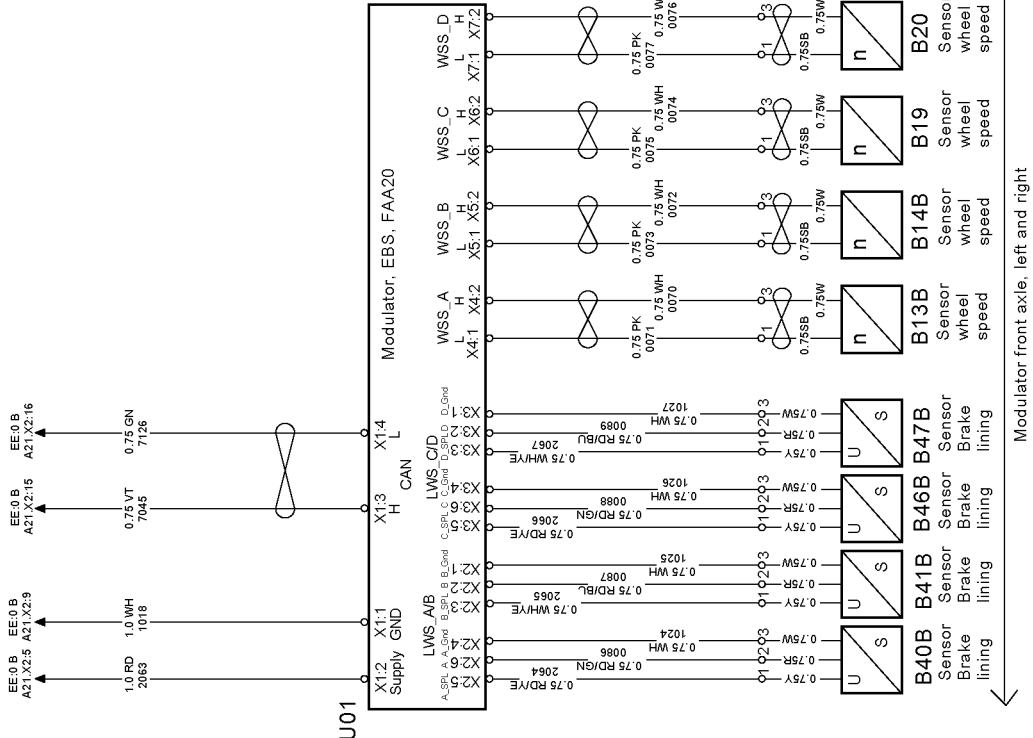
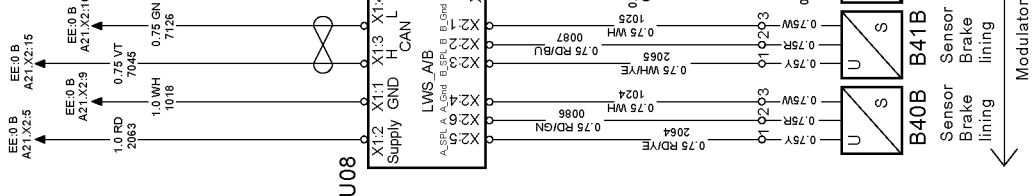
EBS

A

B

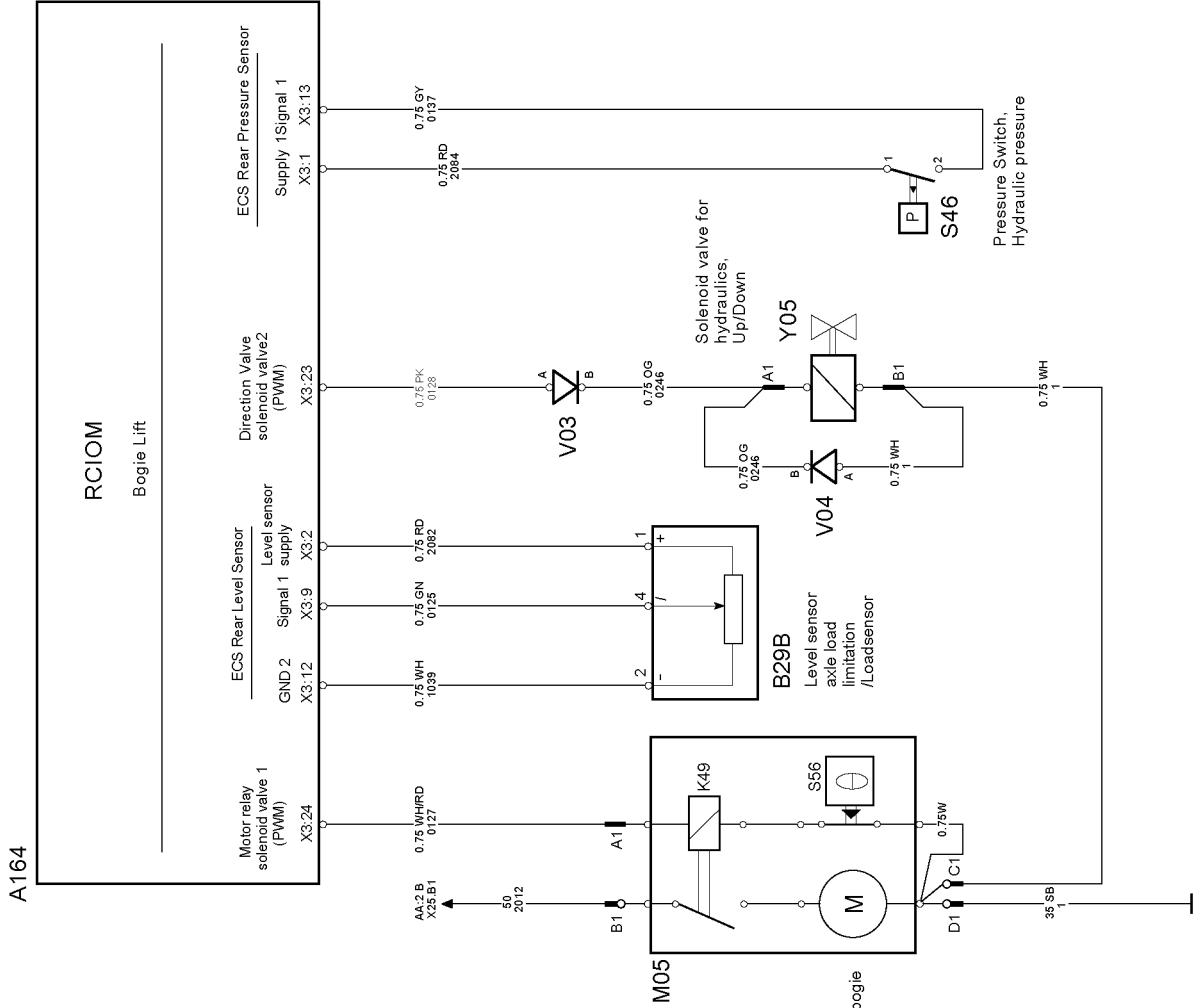
C

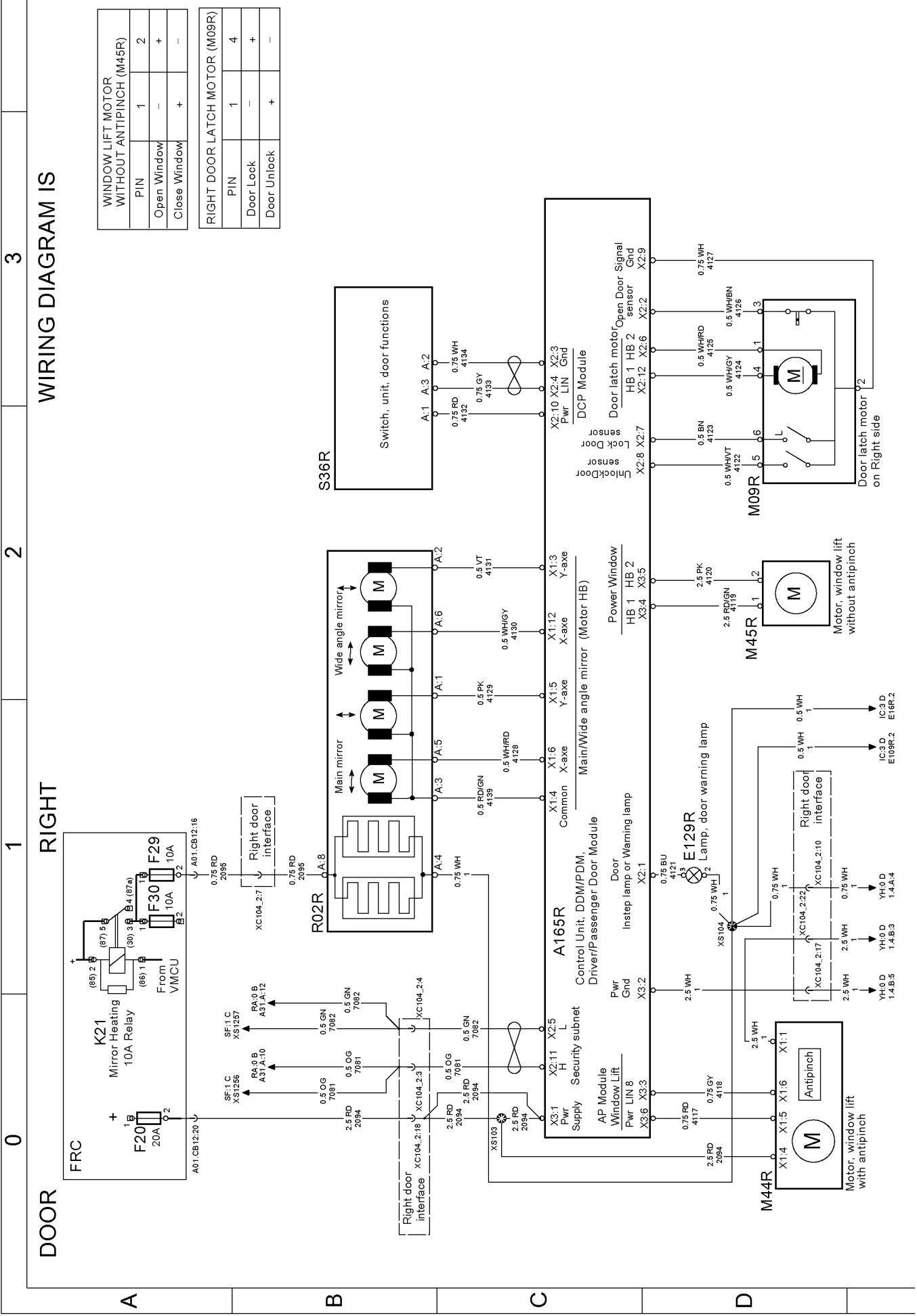
D



A-RIDE WITH LOADSENSOR

WIRING DIAGRAM FQ





WIRING DIAGRAM IS

3

2

1

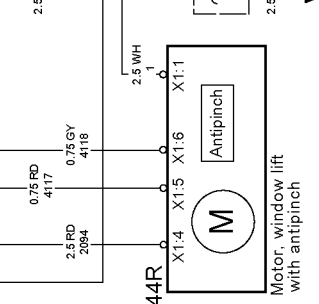
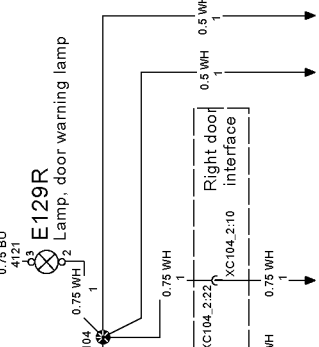
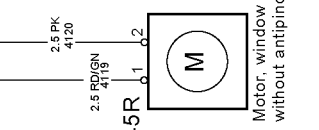
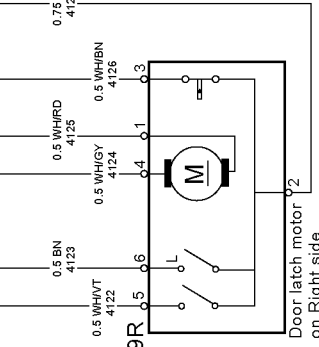
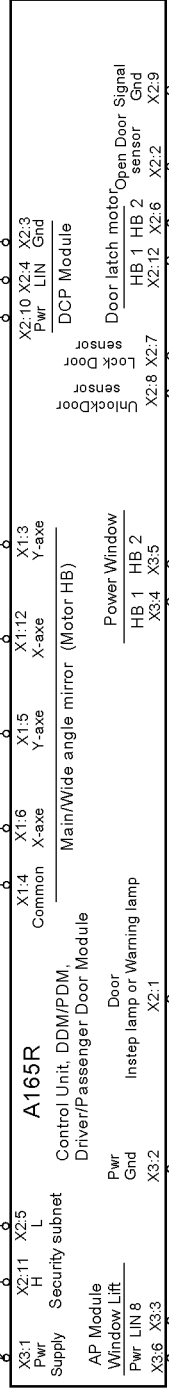
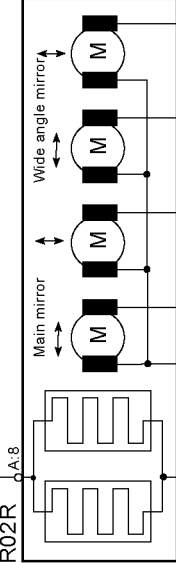
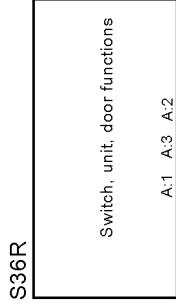
0

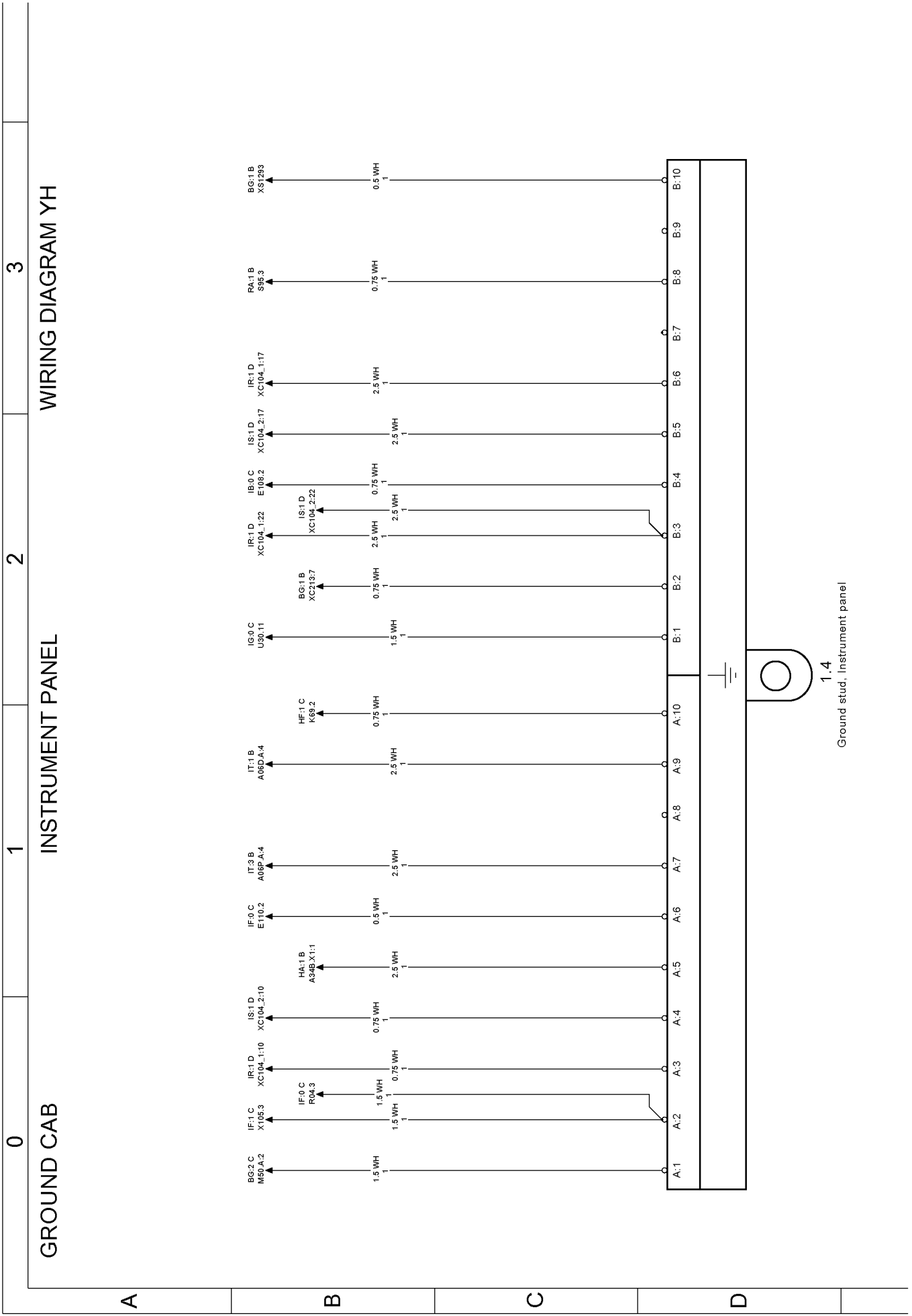
RIGHT

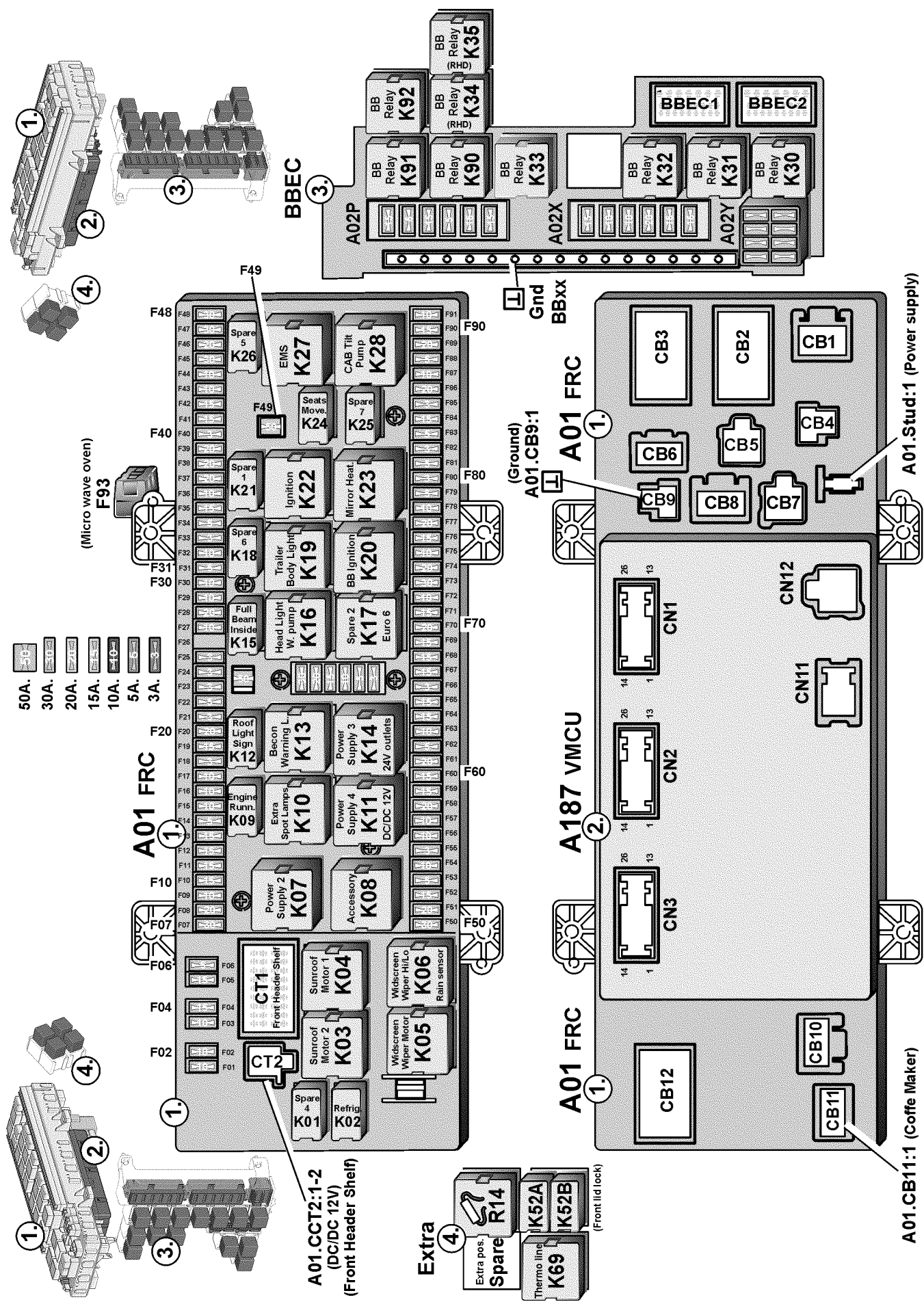
DOOR

WINDOW LIFT MOTOR WITHOUT ANTI-PINCH (M45R)	
PIN	2
Open Window	+
Close Window	-

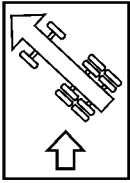
RIGHT DOOR LATCH MOTOR (M09R)	
PIN	4
Door Lock	+
Door Unlock	-





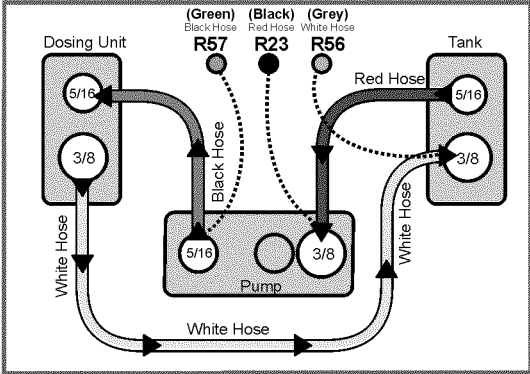
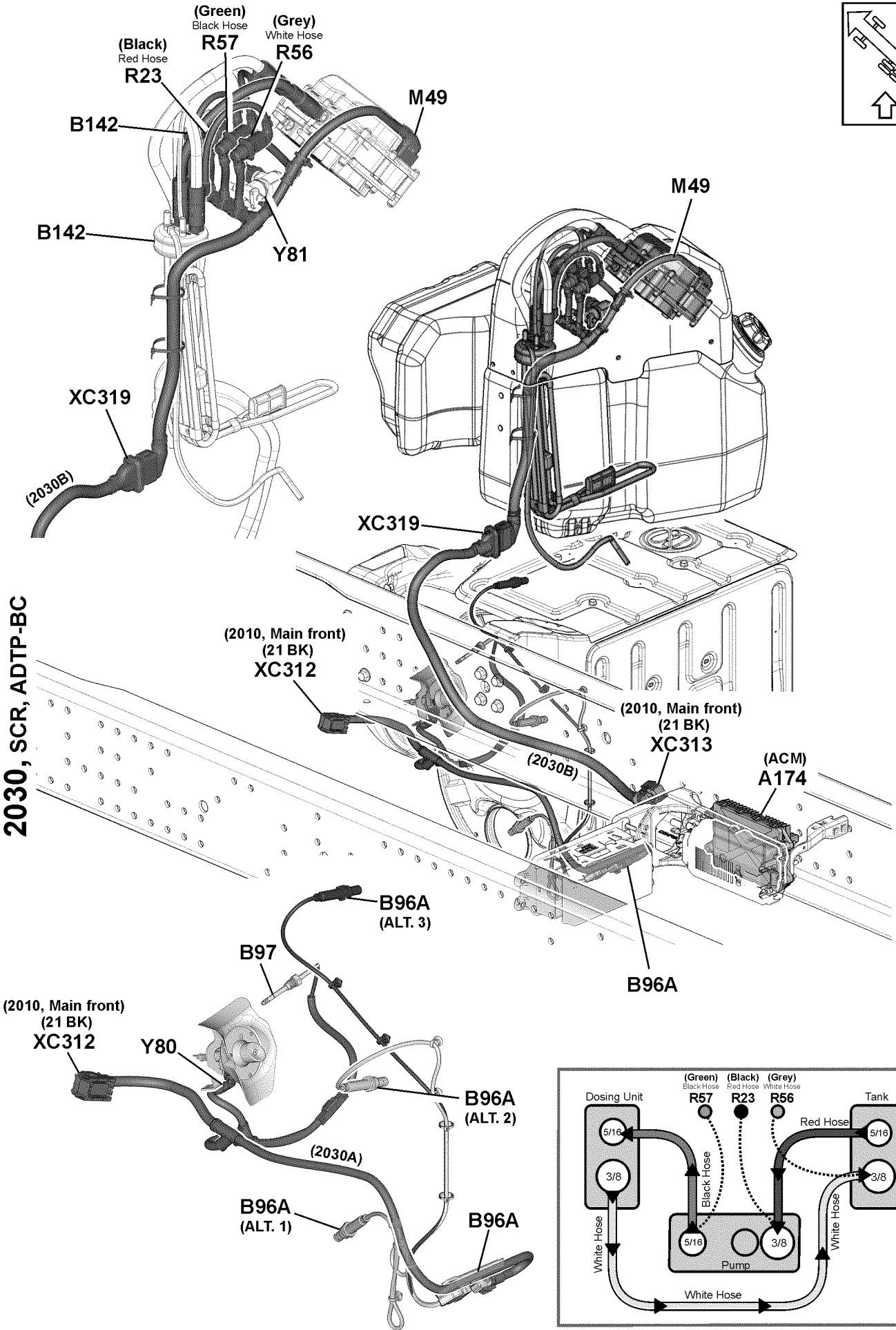


T3065102

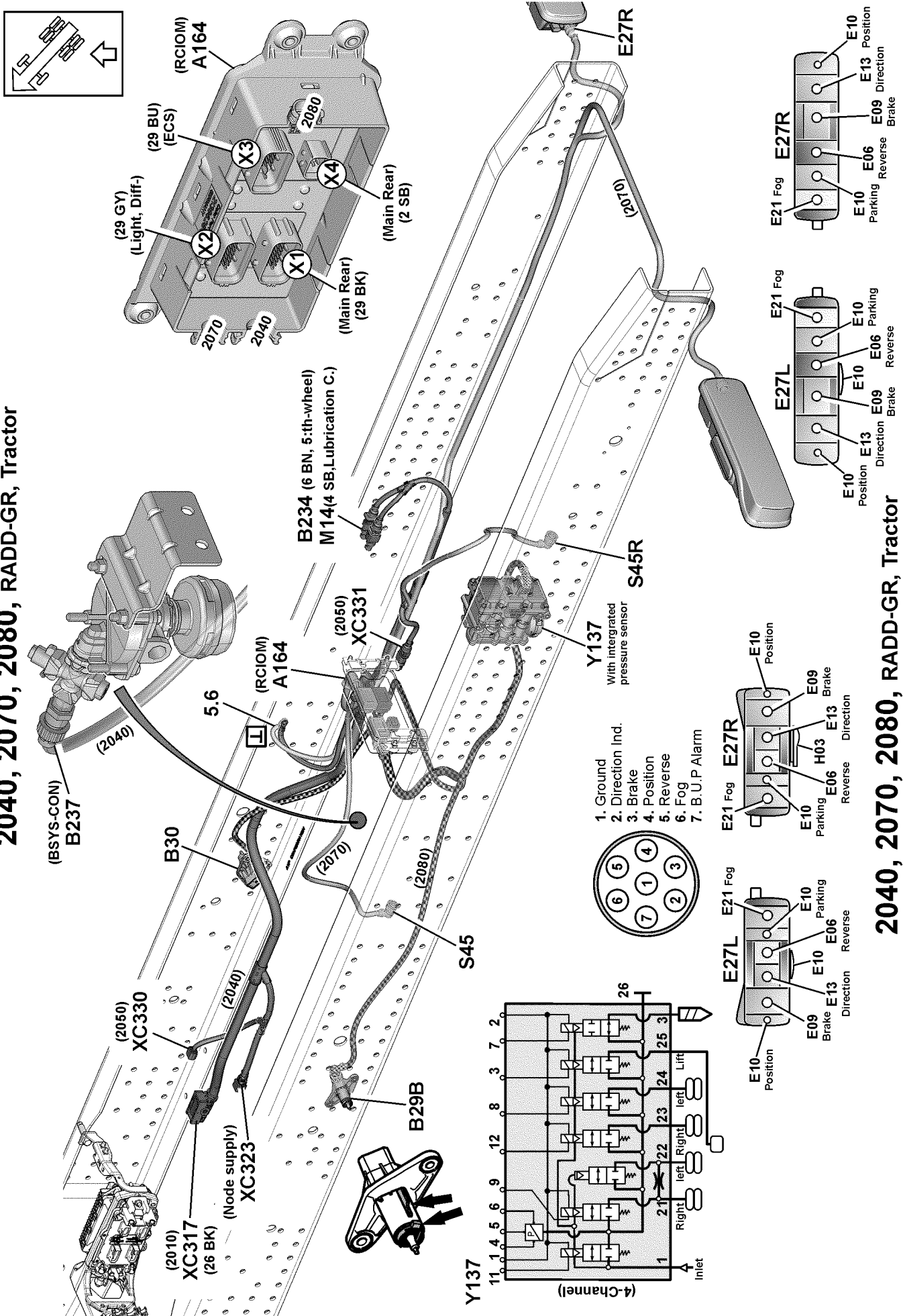


2030, SCR, ADTP-BC

2030, SCR, ADTP-BC

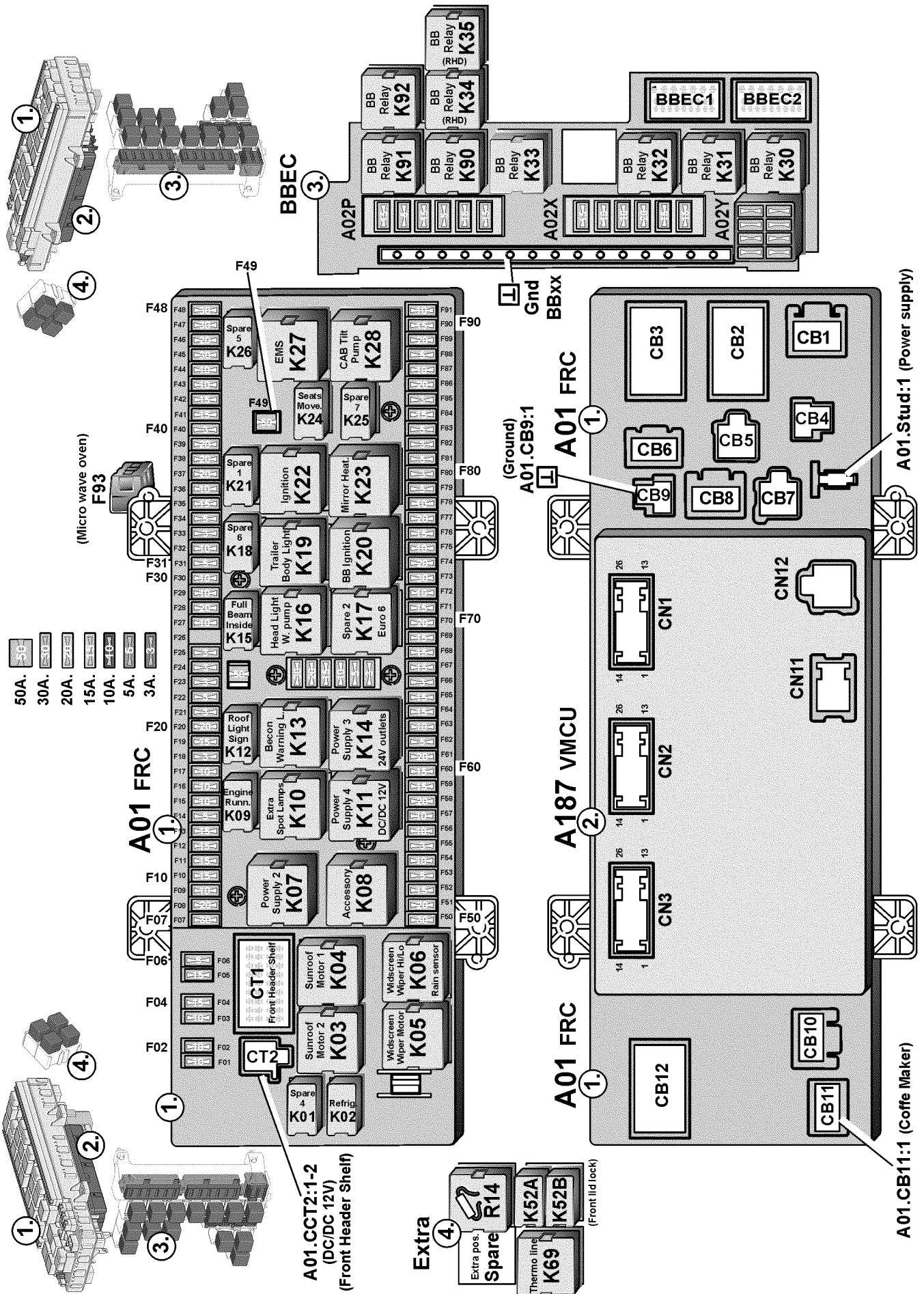


2040, 2070, 2080, RADD-GR, Tractor



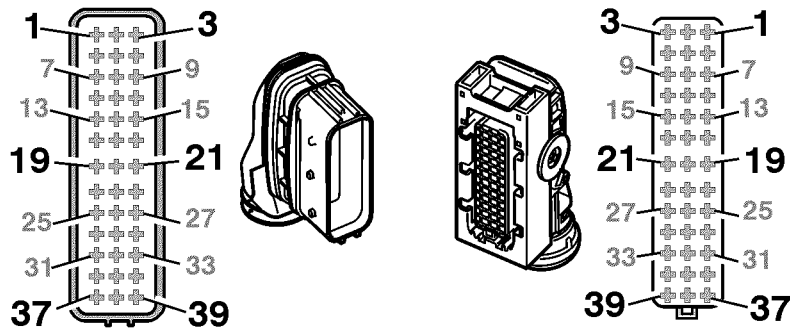
2040, 2070, 2080, RADD-GR, Tractor

Relays



T3065102

XC302 (GIC020)



T3019924

Pin no:	Circuit function	Wiring no:	Diagram
1	Backbone 1 high	7004	CA1:1 D
2	Backbone 2 high	7006	CA1:1 D
3	PWT subnet high	7036	CA1:2 D
3	PWT subnet high	7128	CA1:3 D
4	Backbone 1 low	7005	CA1:1 D
5	Backbone 2 low	7007	CA1:1 D
6	PWT subnet low	7037	CA1:2 D
6	PWT subnet low	7129	CA1:3 D
9	Alternator L-signal	0003	AA:3 D
10	Alternator control	0002	AA:3 D
13	EMS power supply 1	2044	CA:2 D
15	EMS power supply 1	2044	CA:1 D
21	EMS load power supply 2	2046	CA:2 D
23	AC compressor clutch signal	0152	HE:3 C
27	Ground	1	CA:2 D
31	Ground	1	CA:2 D
33	EMS load power supply 1	2045	CA:2 D
34	Engine subnet high	7038	CA1:3 D
36	Engine subnet low	7039	CA1:4 D
37	Fuel filter heater power supply	2047	CA:1 D
39	Ground	1	CA:2 D