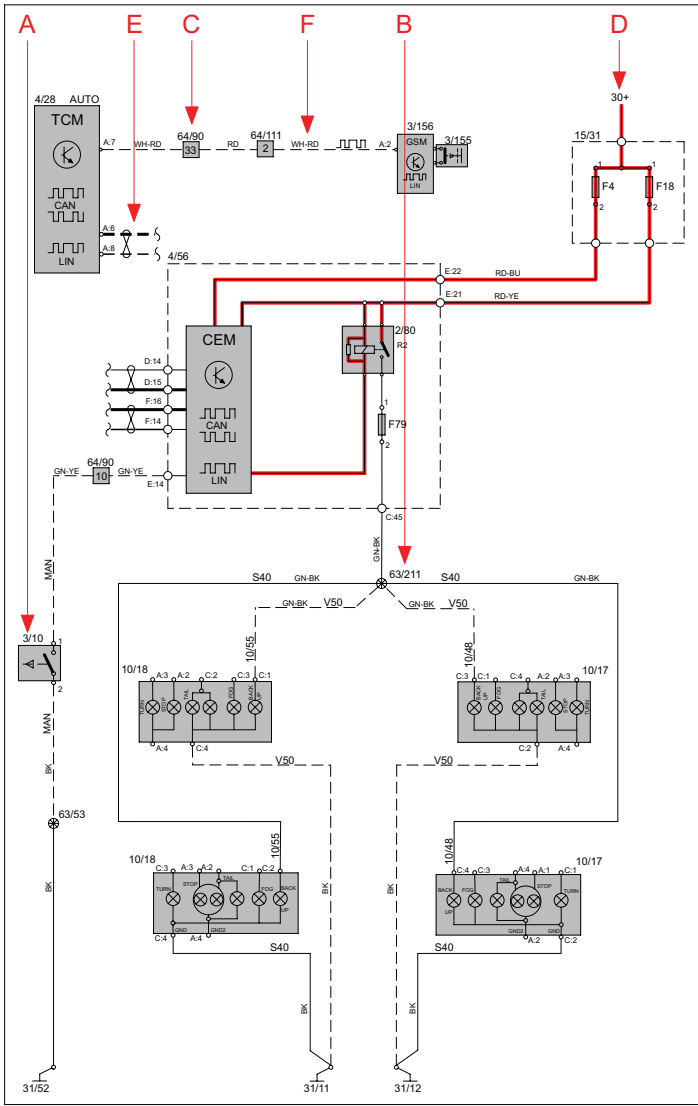
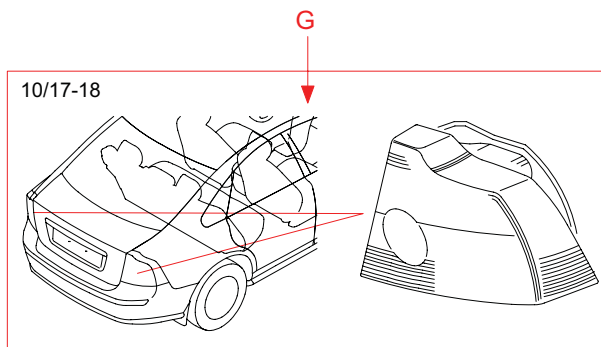


How to use the wiring diagrams 2:2



Explanation of symbols

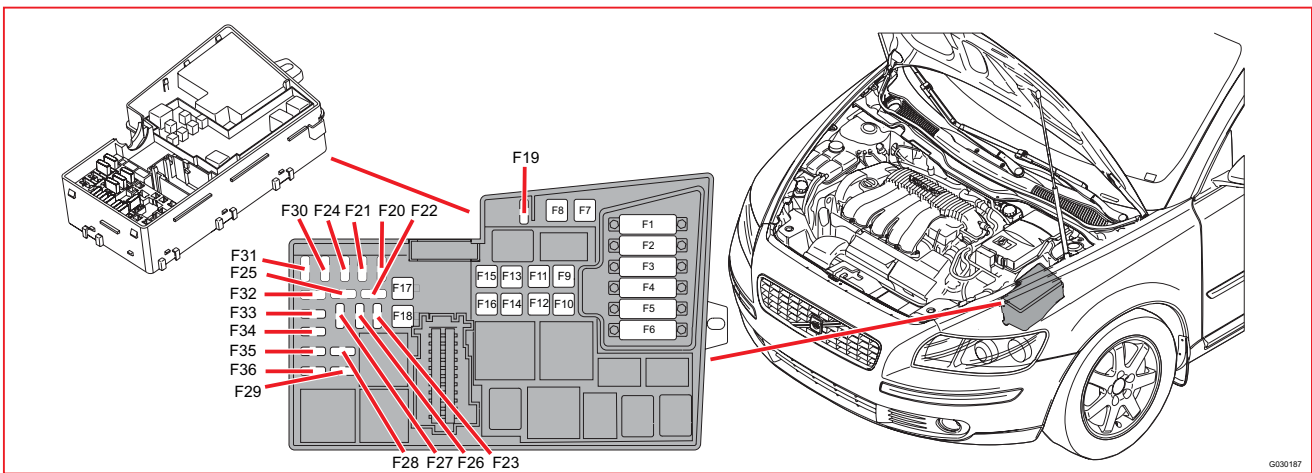
- = System voltage
- = Ground connection via wiring
- = Ground connection in component/chassis
- = Screened wire
- = Junction point
- = Twisted cable
- = Electrical connection
- = Variant
- = CAN communication
- = CAN high data signal (CAN H)
- = CAN low data signal (CAN L)
- = LIN communication
- = LIN communication
- = DIN cable, coaxial cable, etc.
- = Data communication
- = CAN communication
- = MOST communication
- = MOST communication
- = Connection with distribution box
- = Further connection to...
- = Connector between cable harnesses
- = Connector connected in component



G030169

Fuses

Distribution box in engine compartment F11-F18



15/31 Distribution box in engine compartment

No.	Fuse function	via	A
F11	2/182 Relay, headlight washer motor 4/59 Convertible Roof Module (CRM), C70 6/104 Pump, high pressure headlight washer	- - 2/182	20
F12	2/82 Relay, heated rear window 9/2 Rear window defroster	- 2/82, 16/141	30
F13	6/25 Starter motor	2/35	30
F14	4/110 Trailer Module (TRM)	-	40
F15	4/59 Convertible Roof Module (CRM), C70		30
F16	2/159 Infotainment relay, S40/V50/C30 16/105 Audio module (AUD), S40/V50/C30 F22 Fuse, engine compartment distribution box, S40/V50/C30 F43 Fuse in the Central Electronic Module (CEM), S40/V50/C30 F64 Fuse in the Central Electronic Module (CEM), S40/V50/C30 F65-F67 Fuses in the Central Electronic Module (CEM), S40/V50/C30	- - - - - 2/159	30
F16	2/159 Infotainment relay, C70 16/105 Audio module (AUD), C70 F22 Fuse, engine compartment distribution box, C70 F43 Fuse in the Central Electronic Module (CEM), C70 F64 Fuse in the Central Electronic Module (CEM), C70 F65-F67 Fuses in the Central Electronic Module (CEM), C70	- - - - - 2/159	40
F17	6/1 Wiper Motor Module (WMM)	-	30
F18	2/80 Relay, reversing light 2/89 Relay, interior lighting 4/56 Central Electronic Module (CEM) F46-F47 Fuses in the Central Electronic Module (CEM) F56-F57 Fuses in the Central Electronic Module (CEM) F79 Fuse in the Central Electronic Module (CEM) F81-F83 Fuses in the Central Electronic Module (CEM) F86 Fuse in the Central Electronic Module (CEM)	- - - 2/89 - 2/80 - 2/89	40

continues

Ground connections 31/115 - 31/119

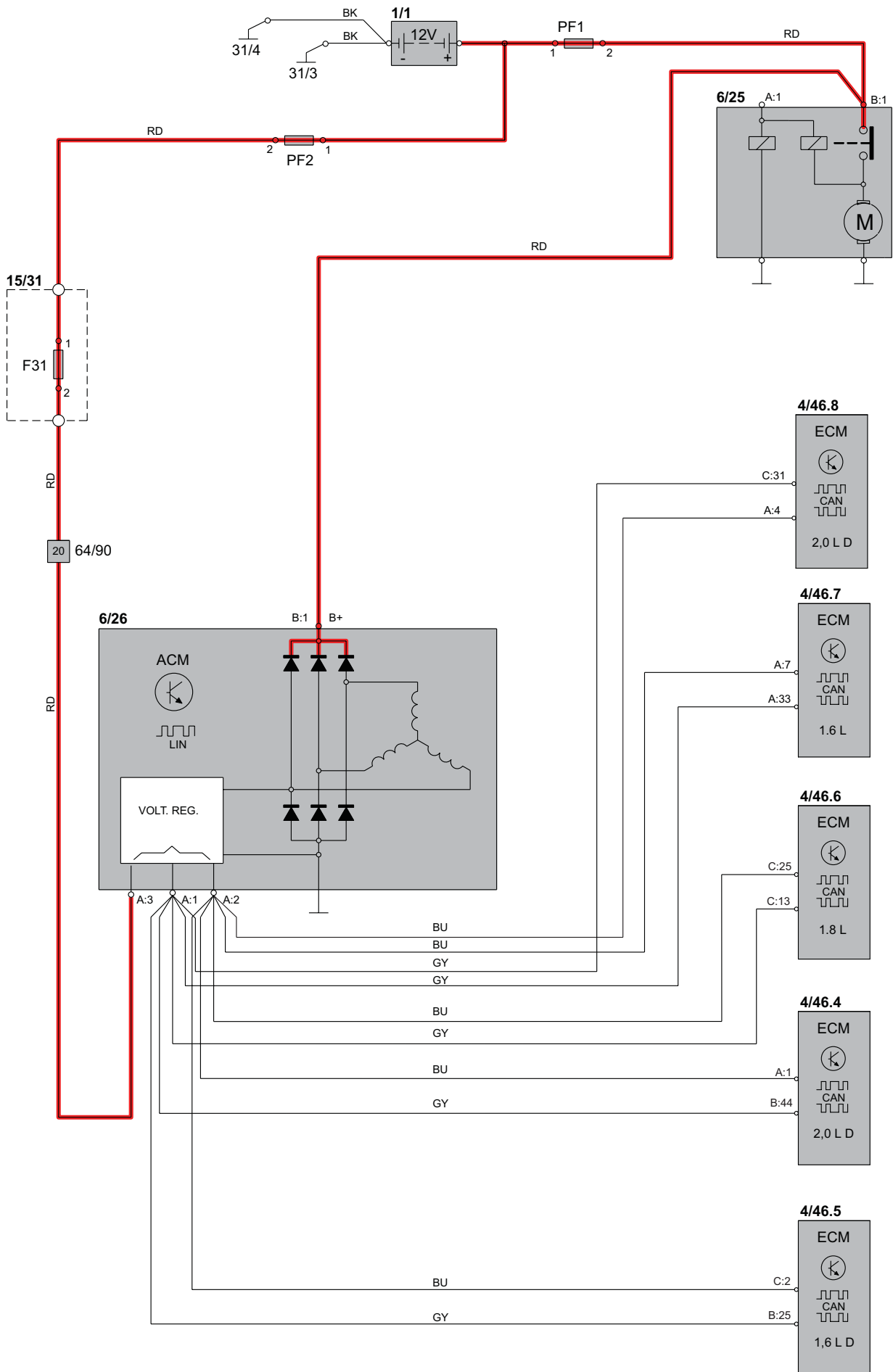
31/115 Left A-post	
3/126	Driver Door Module (DDM), LHD
3/127	Passenger Door Module (PDM), RHD
4/83	Fuel pump control module, RHD
4/111	Additive Dosing Module (ADM), RHD
6/33	Fuel pump, RHD
9/38	Electrically heated fuel filter
26/5	DC/AC converter, fuel tank

31/116 Right A-post	
3/126	Driver Door Module (DDM), RHD
3/127	Passenger Door Module (PDM), LHD
4/83	Fuel pump control module, LHD, Gasoline
4/111	Additive Dosing Module (ADM), LHD
6/33	Fuel pump
9/38	Electrically heated fuel filter
26/5	DC/AC converter, fuel tank

31/117 Roof	
31/107	Ground connection, trunk lid/tailgate (V50)

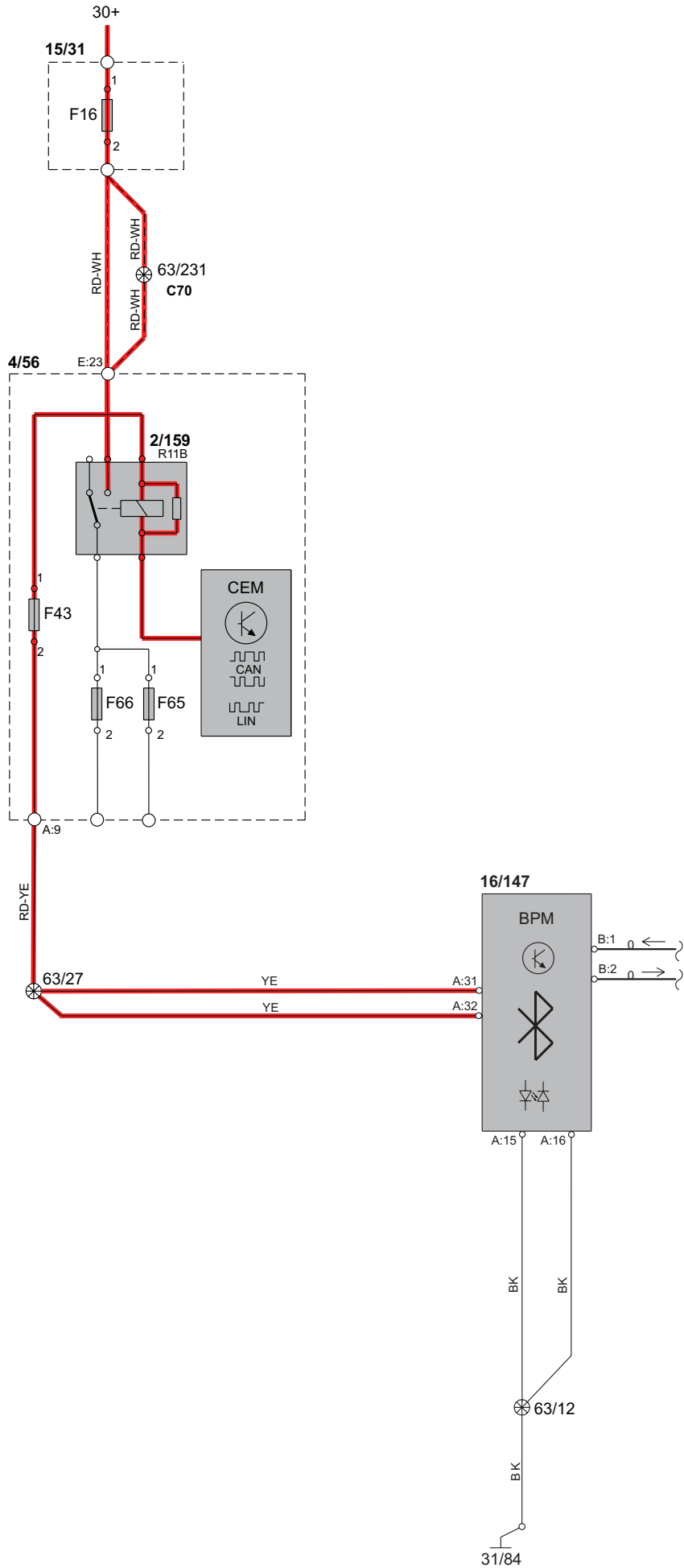
31/119 Left MacPherson strut tower	
4/16	Brake Control Module (BCM)

Group 32 Alternator and voltage regulator Power supply, 4-Cyl.

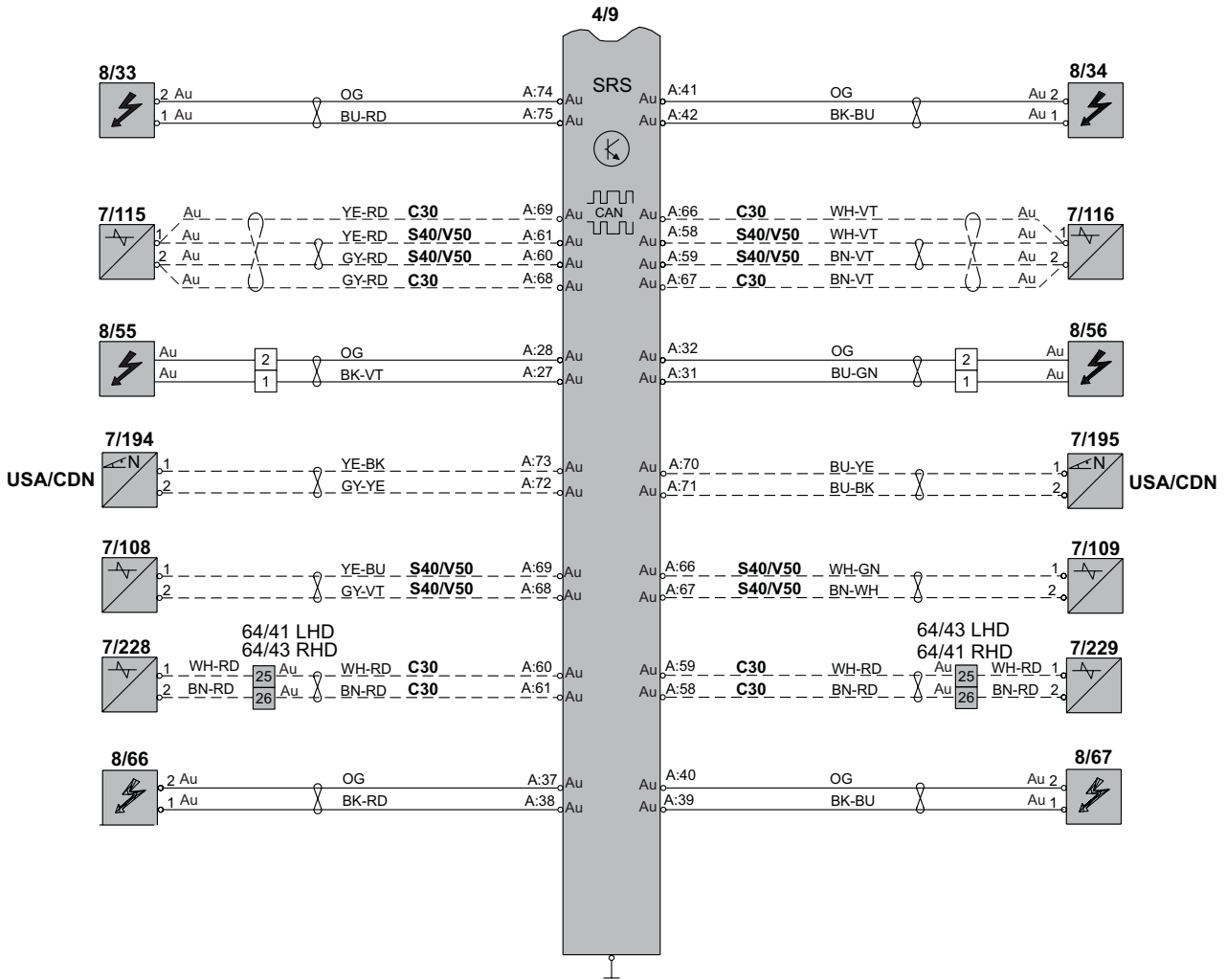


G029790

Group 39 Other, Accessories Bluetooth



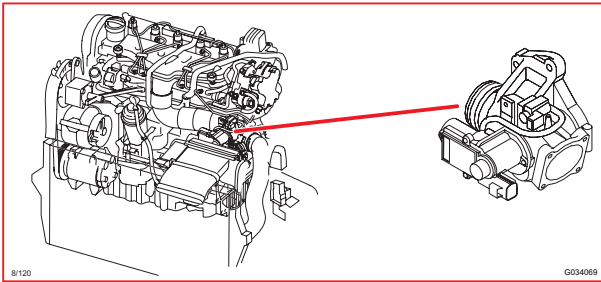
Group 88 Internal equipment Supplemental Restraint System (SRS) C30/S40/V50 2:2



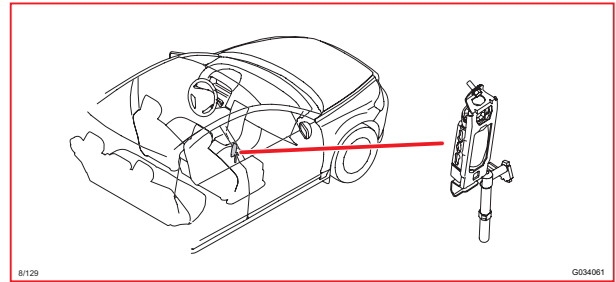
Component illustrations

8/120 - 8/137

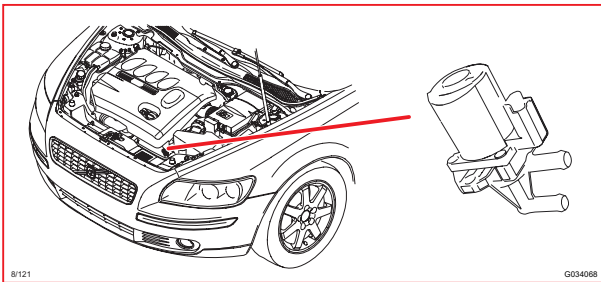
8/120 EGR valve



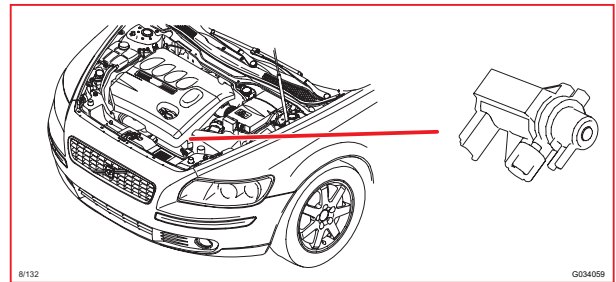
8/129 Passenger belt force limiter



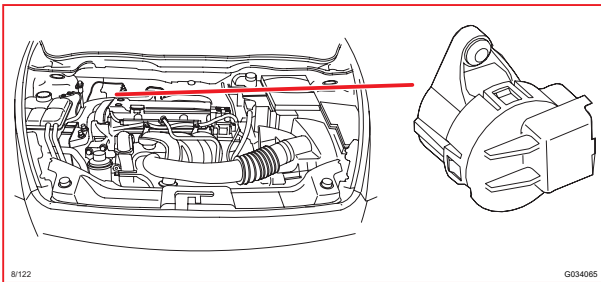
8/121 Valve coolant



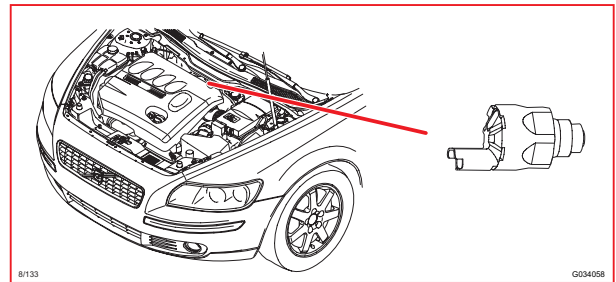
8/132 Control valve inlet



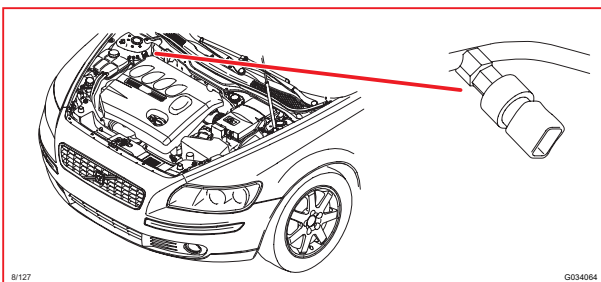
8/122 Bypass valve, intercooler



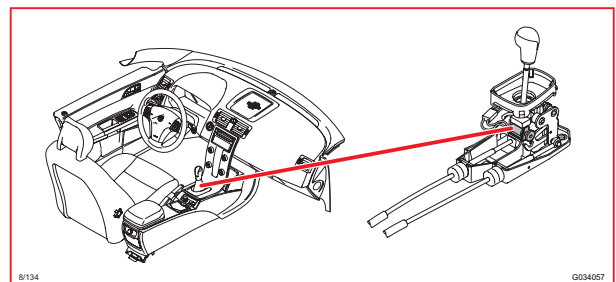
8/133 Control valve fuel pressure



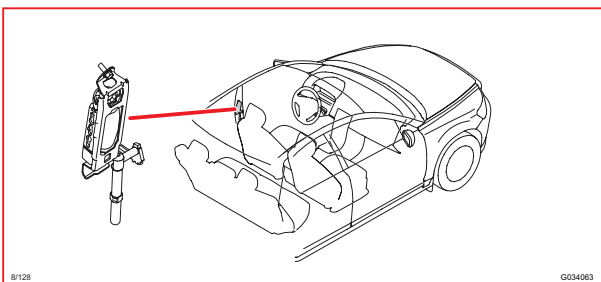
8/127 Pressure switch, climate control system



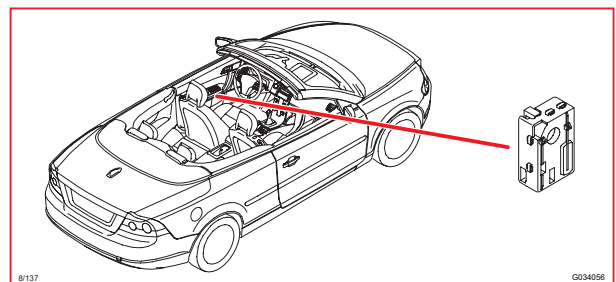
8/134 Solenoid, reverse interlock, manual



8/128 Driver's belt force limiter



8/137 Lock motor, left door compartment



List of components 1:7

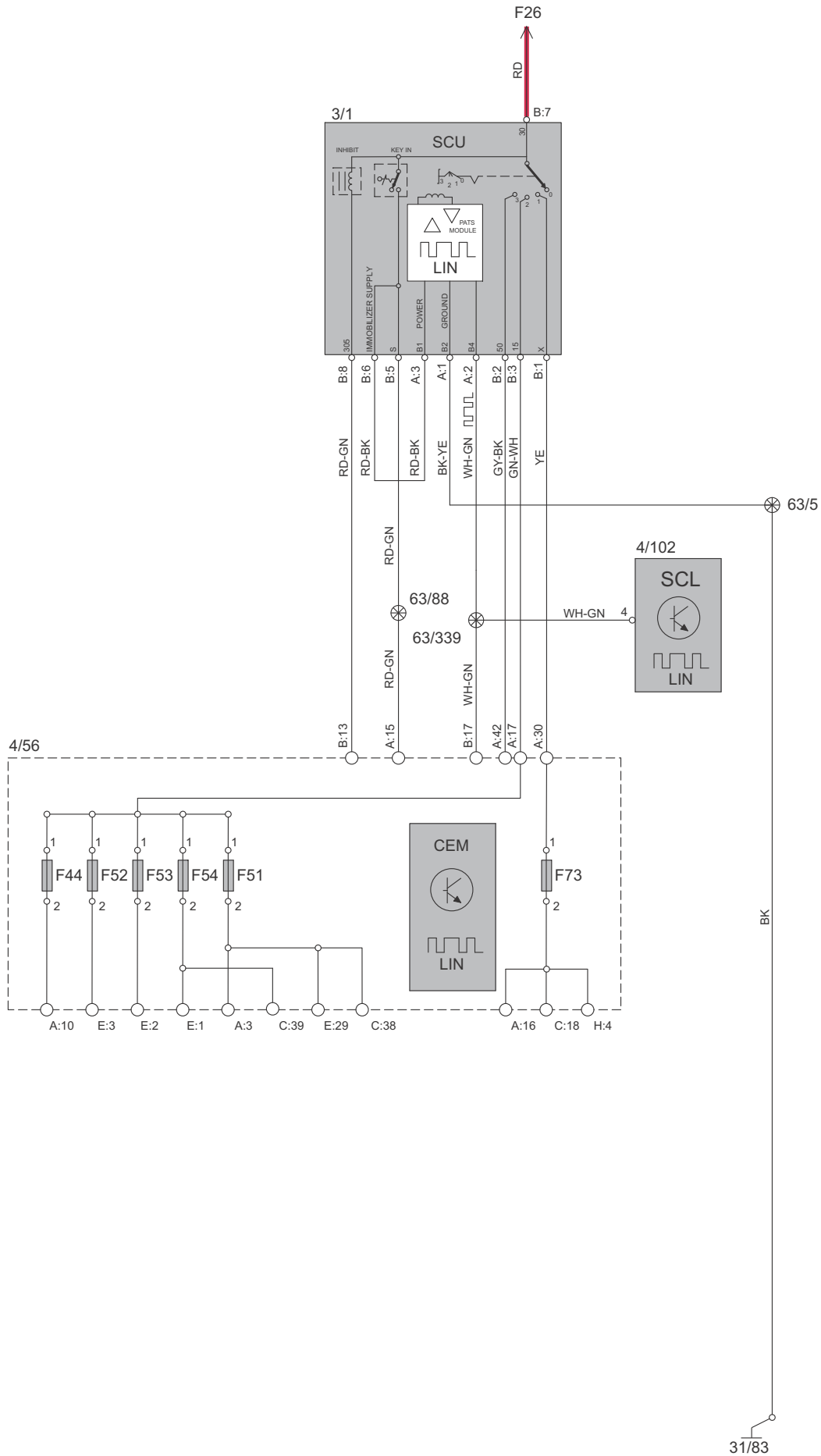
1/1	Battery	3/77	Lock unit, rear right door
2/14	Relay, glow plug system	3/78	Lock unit trunk lid/tailgate, C30
2/16	Relay, rear window wiper	3/78	Lock unit trunk lid/tailgate, S40
2/17	Relay, horn	3/80	Switch, central locking system, driver's door
2/22	Relay, climate control system	3/81	Power window switches, driver's door
2/23	Relay, fuel pump	3/82	Switch, central locking system, passenger door
2/32	Main relay, engine management system	3/83	Switch, passenger door power window
2/34	Relay, front fog lights	3/85	Power window switch, rear left door
2/35	Relay, starter motor	3/86	Power window switch, right rear door
2/63	Relay, high beam	3/93	Belt buckle contact, driver's seat
2/64	Relay, auxiliary lights (accessory)	3/94	Belt buckle contact, passenger seat
2/71	Relay cellular phone handsfree	3/100	Lock unit, driver's door
2/80	Relay, reversing light	3/110	Lock unit, passenger door
2/82	Relay, heated rear window	3/111	Light Switch Module (LSM)
2/89	Relay, interior lighting	3/112	Climate Control Module (CCM)
2/93	Relay, rear window washer motor	3/117	Switch unit, ceiling light
2/142	Fuel filter preheater relay	3/126	Driver Door Module (DDM)
2/157	Relay, subwoofer control module	3/127	Passenger Door Module (PDM)
2/159	Relay, infotainment	3/128	Rear left Door Module (LDM)
2/182	Relay, headlight washer motor	3/129	Rear Right Door Module (RDM)
2/192	Relay, electric engine heater, 4-Cyl.	3/156	Gear Selector Module (GSM)
2/192	Relay, electric engine heater, 5-Cyl.	3/157	Switch, passenger side airbag
2/193	Relay, comfort functions	3/173	Switch, trunk lid/tailgate private lock
3/1	Ignition switch	3/217	Belt buckle contact, rear left
3/4	Switch unit, cruise control (SWS)	3/218	Belt buckle contact, center rear
3/6	Switch, hazard warning flashers	3/219	Belt buckle contact, rear right
3/8	Switch, heated rear window/rearview mirrors	3/254	Steering Wheel Module (SWM)
3/9	Contact brake light	3/255	Position sensor, driver's seat
3/10	Reversing light contact	3/256	Position sensor, passenger seat
3/25	Switch, power sunroof	3/267	Switch unit, telematics
3/25	Switch, power roof, C70	3/268	Load assistance switch
3/26	Switch unit, power driver's seat	3/271	Contact, immobilizer, clutch pedal
3/27	Switch unit, power passenger seat	3/273	Lock contact, LH front door
3/35	Switch, handle, trunk lid, C30	3/274	Lock contact, RH front door
3/35	Switch, handle, trunk lid/tailgate, S40/V50	3/275	Lock contact, left rear door
3/37	Contact horn	3/276	Lock contact, RH rear door
3/39	Clutch pedal contact	3/281	Infotainment Control Module (ICM)
3/46	Seat contact, passenger seat	3/286	Blis switch, C30/S40/V50
3/47	Parking brake contact	3/286	Blis switch, C70
3/60	Switch, auxiliary lights	3/287	Switch, rear seat entry, left, C30/C70
3/62	Hood alarm contact	3/288	Rear seat entry switch, right, C30/C70
3/76	Lock unit, rear left door	3/293	Handsfree control panel cellular phone

List of components 4:7

8/3	Electromagnetic clutch, climate control system	8/98	Control valve fuel pressure
8/6-10	Injection valves	8/99	Igniter, steering column
8/18	EVAP valve	8/111	Control valve fuel flow
8/19	Solenoid, variable valve timing, intake	8/114	Valve mixing air/fuel
8/28	Turbo control valve	8/119	Pressure monitor, climate control system
8/30	Airbag igniter, driver's side	8/120	EGR valve
8/31	Airbag igniter, passenger side	8/121	Valve coolant
8/32	Igniter, airbag stage 2, passenger side	8/122	Bypass valve, intercooler
8/33	Igniter, belt tensioner, driver's side	8/127	Pressure switch, climate control system
8/34	Igniter, belt tensioner, passenger side	8/128	Driver's belt force limiter
8/36	Solenoid shift lock	8/129	Passenger belt force limiter
8/37	Automatic transmission	8/132	Control valve inlet
8/38	Shift solenoid 1	8/133	Control valve fuel pressure
8/39	Shift solenoid 2	8/134	Solenoid, reverse interlock, manual
8/40	Lock-up solenoid	8/137	Lock motor, left door compartment
8/41	Pressure solenoid	8/138	Lock motor, right door compartment
8/45	Solenoid, variable valve timing, intake	8/139	Lock motor, ski hatch
8/48	Auto-dimming rearview mirror	8/140	Lock motor, rear left seat compartment
8/51	Igniter side airbag, driver's side	8/141	Lock motor, rear right seat compartment
8/52	Igniter side airbag, passenger side		
8/55	Igniter, rear left belt tensioner	9/1	Front 12V outlet
8/56	Igniter, rear right belt tensioner	9/2	Rear window defroster
8/57	Igniter, left anti-roll bar	9/12	Seat Heating Module (SHM), driver's side
8/58	Igniter, right anti-roll bar	9/13	Seat Heating Module (SHM), passenger side
8/61	Igniter, airbag stage 2, driver's side	9/16	Heating element, driver's seat backrest
8/65	Power steering pressure monitor	9/17	Heating element, passenger seat backrest
8/66	Igniter, left inflatable curtain, S40/V50	9/18	Heating element, driver's seat cushion
8/66	Igniter, left inflatable curtain, C70	9/19	Heating element, passenger seat cushion
8/67	Igniter, right inflatable curtain, S40/V50	9/25	Rear 12V outlet
8/67	Igniter, right inflatable curtain, C70	9/30	Auxiliary heater
8/71	Throttle solenoid	9/32	PTC resistor, crankcase ventilation
8/72	Shift solenoid 3	9/33	Electrically heated rear-view mirror, driver's door
8/73	Shift solenoid 4		
8/74	Shift solenoid 5	9/34	Electrically heated rear-view mirror, passenger door
8/77	Control valve, fuel volume		
8/81	Solenoid, variable valve timing outlet	9/38	Electrically heated fuel filter
8/82	Solenoid, variable turbo geometry	9/41	PTC-element
8/84	Switch, vacuum pump	9/41.1	Electric engine heater
8/92	Lap belt tensioner, driver		

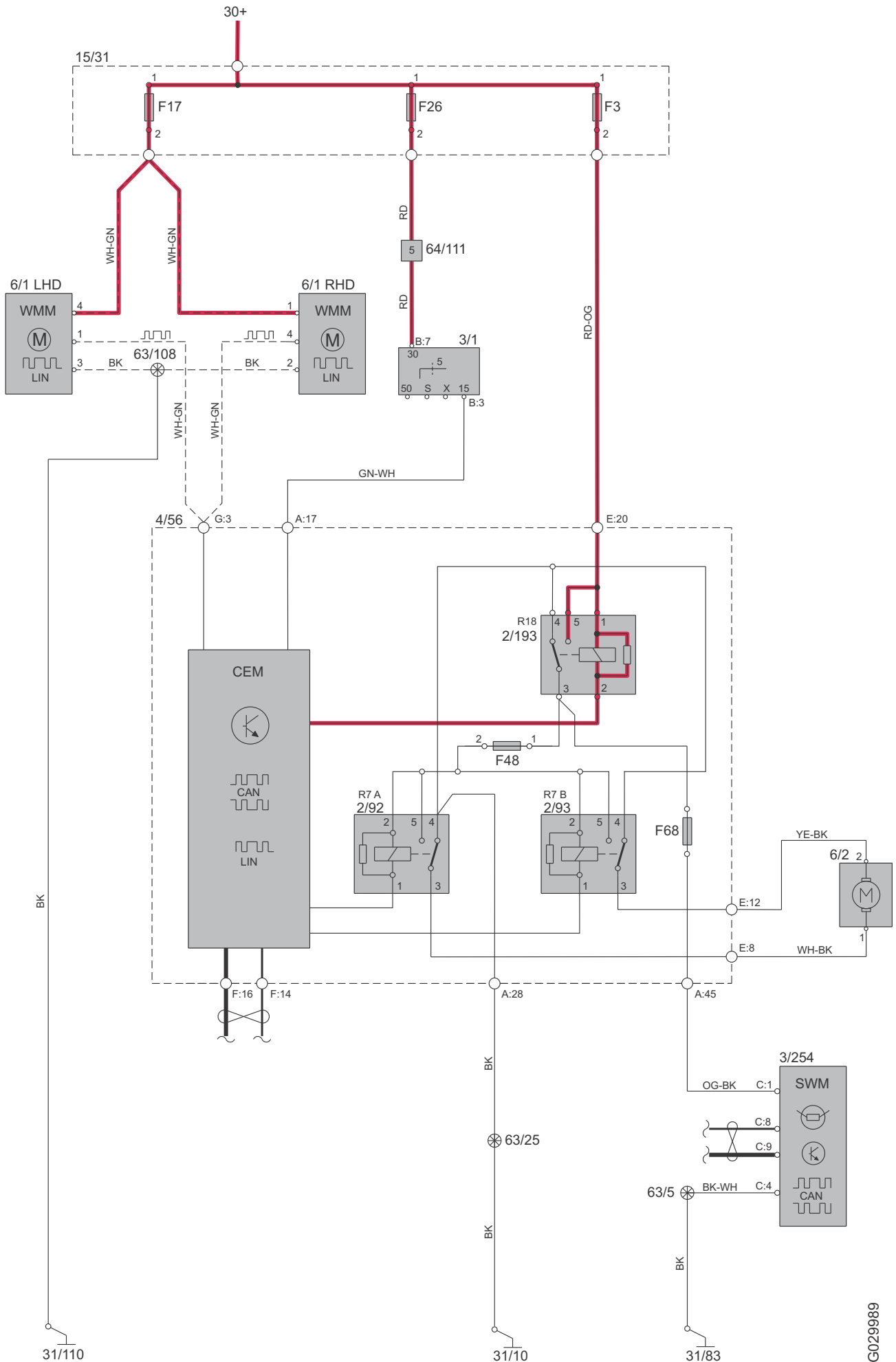
Control modules

Ignition switch (SCU)



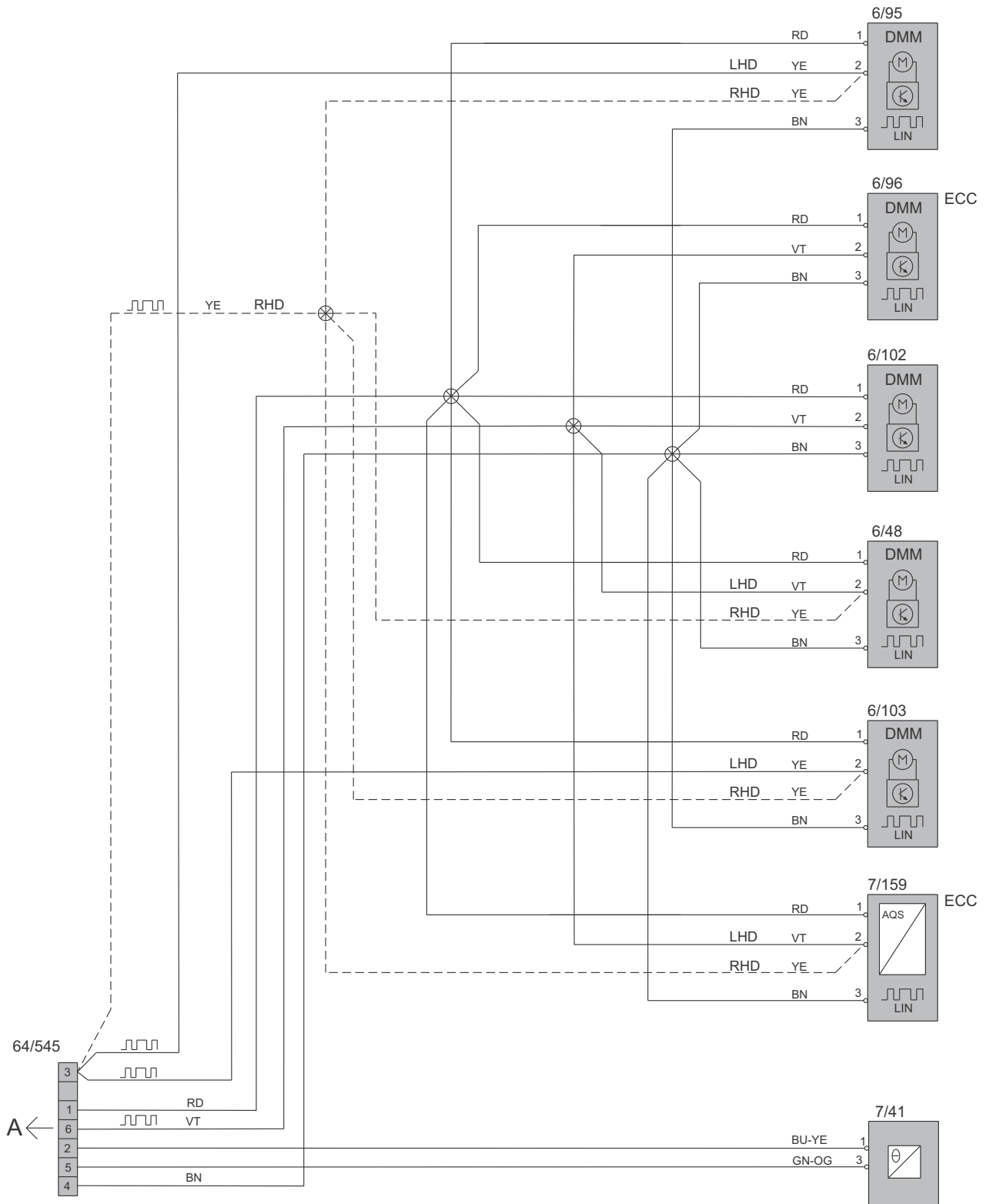
Group 36 Additional electrical equipment

Wiper/washer windshield



Group 87 Climate control system

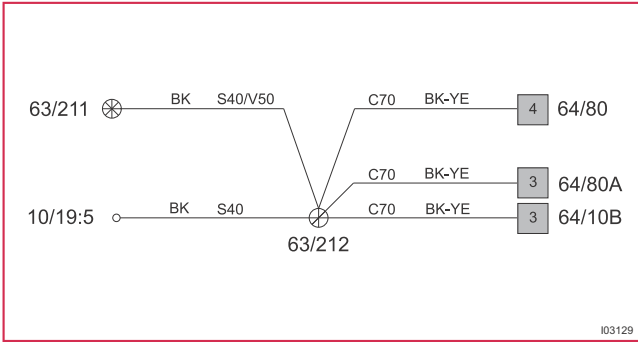
Climate control system, 5-Cyl. 2:2



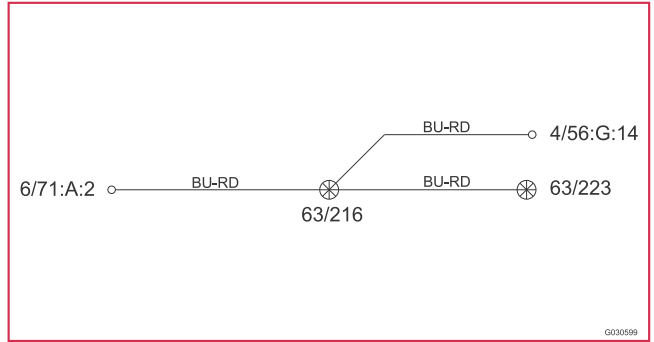
Branching points

63/212 - 63/221

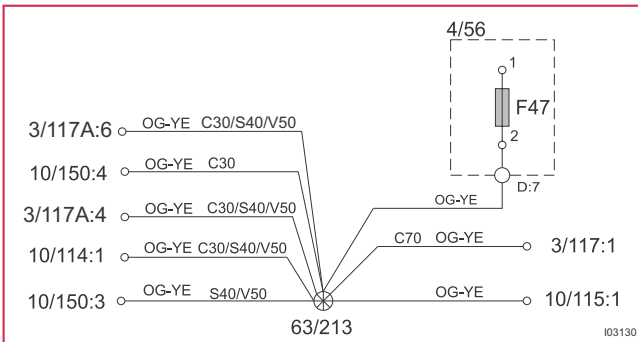
63/212



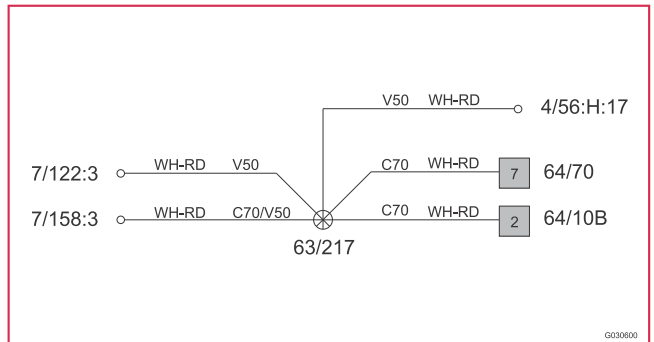
63/216



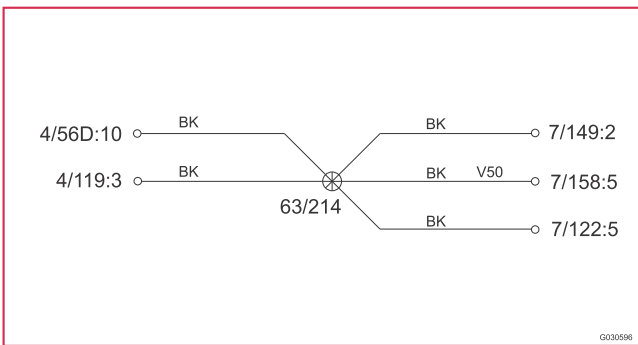
63/213



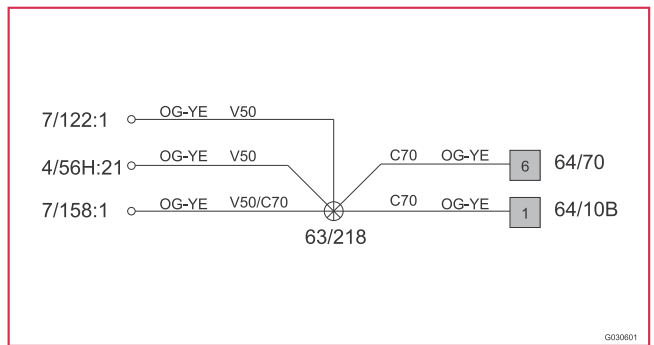
63/217 V50/C70



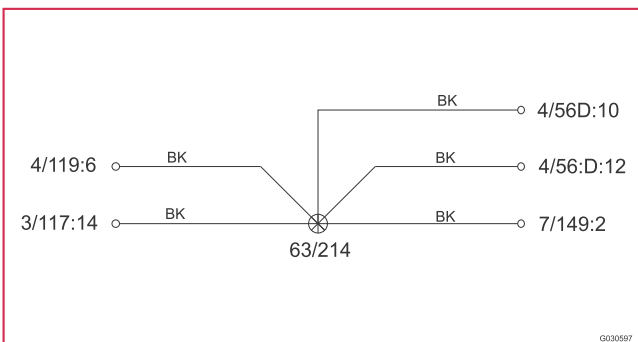
63/214 C30/S40/V50



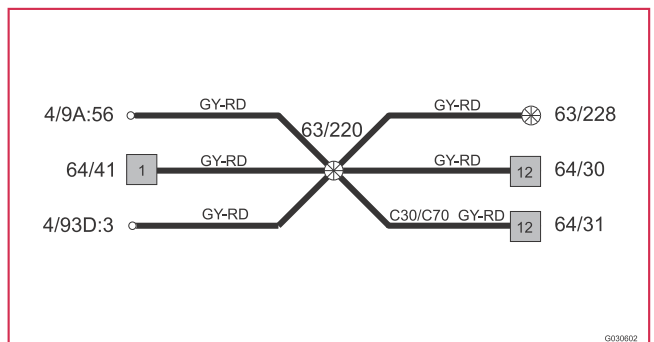
63/218 V50/C70



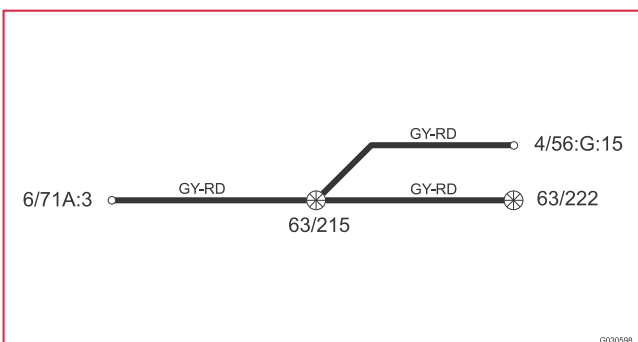
63/214 C70



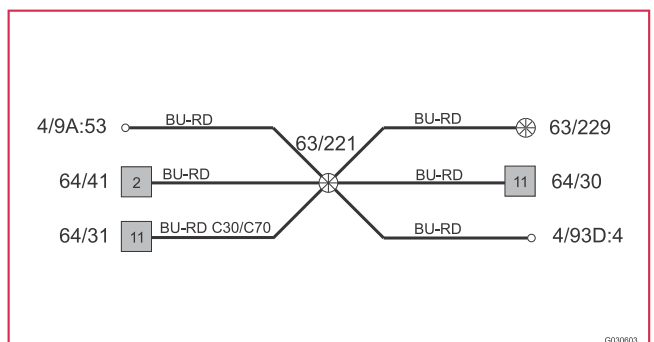
63/220



63/215

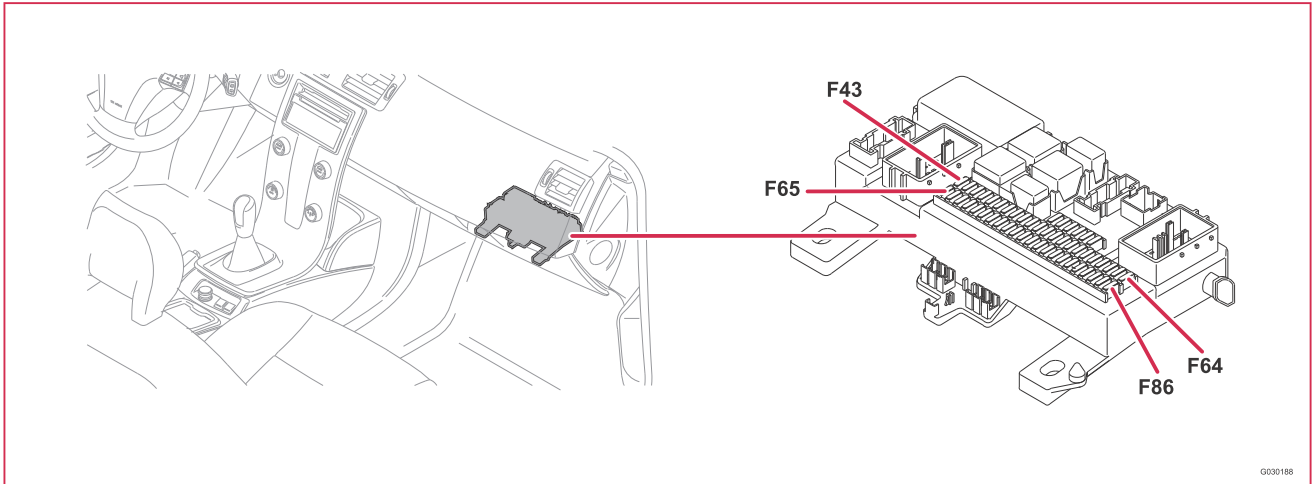


63/221



Fuses

Central Electronic Module (CEM) F73-F85



4/56 Central Electronic Module (CEM)

No.	Fuse function	via	A
F73	3/117 Switch unit, ceiling light 3/217 Contact, LH rear belt buckle 3/218 Contact, center rear belt buckle 3/219 Contact, RH rear belt buckle 4/33 Sunroof control module 8/48 Auto-dimming rearview mirror 10/22 Ceiling light	- - - - - - -	5
F74	4/83 Fuel pump control module, Gasoline 4/111 Additive Dosing Module (ADM) 6/33 Fuel pump	2/23 2/23 2/23, 26/5	15
F77	4/78 Accessory electronic module (AEM) 17/19 12V outlet, cargo compartment 17/39 13-pin outlet, tow hitch cable harness	- - -	15
F79	8/48 Auto-dimming rearview mirror 10/48 Right-hand reversing light 10/55 Left-hand reversing light	2/80 - -	5
F81	3/128 Left rear door module (LDM)	-	20
F82	3/127 Passenger Door Module (PDM)	-	25
F83	3/126 Driver Door Module (DDM)	-	25
F84	3/27 Switch unit, power passenger seat 4/54 Power Seat Module (PSM)	- -	25
F85	3/26 Switch unit, power driver's seat 4/52 Power Seat Module (PSM)	-	25
continues			