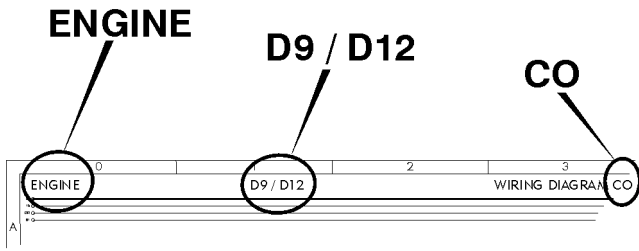


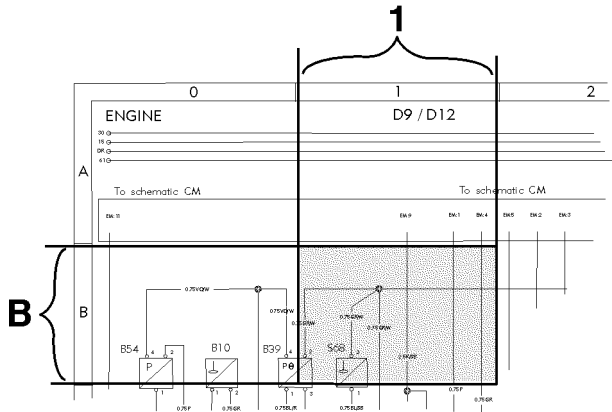
# Contents

Example of wiring diagram.....	2
Contents of wiring diagrams .....	5
Wiring diagrams .....	7
Illustrations index.....	62
Illustrations .....	63
Fuses .....	83
Relays.....	86
List of components.....	87
Colour codes of electrical cables.....	93

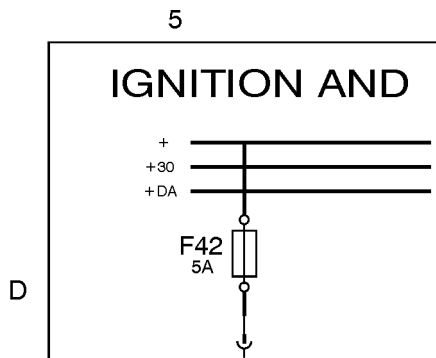
# Example of wiring diagram



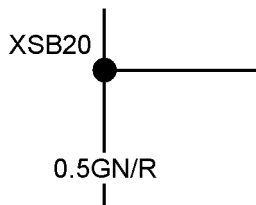
Title of component wiring diagram, variant/subtitle and symbol.



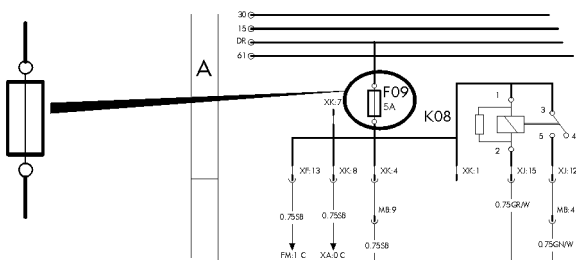
Coordinates (Line B Column 1).



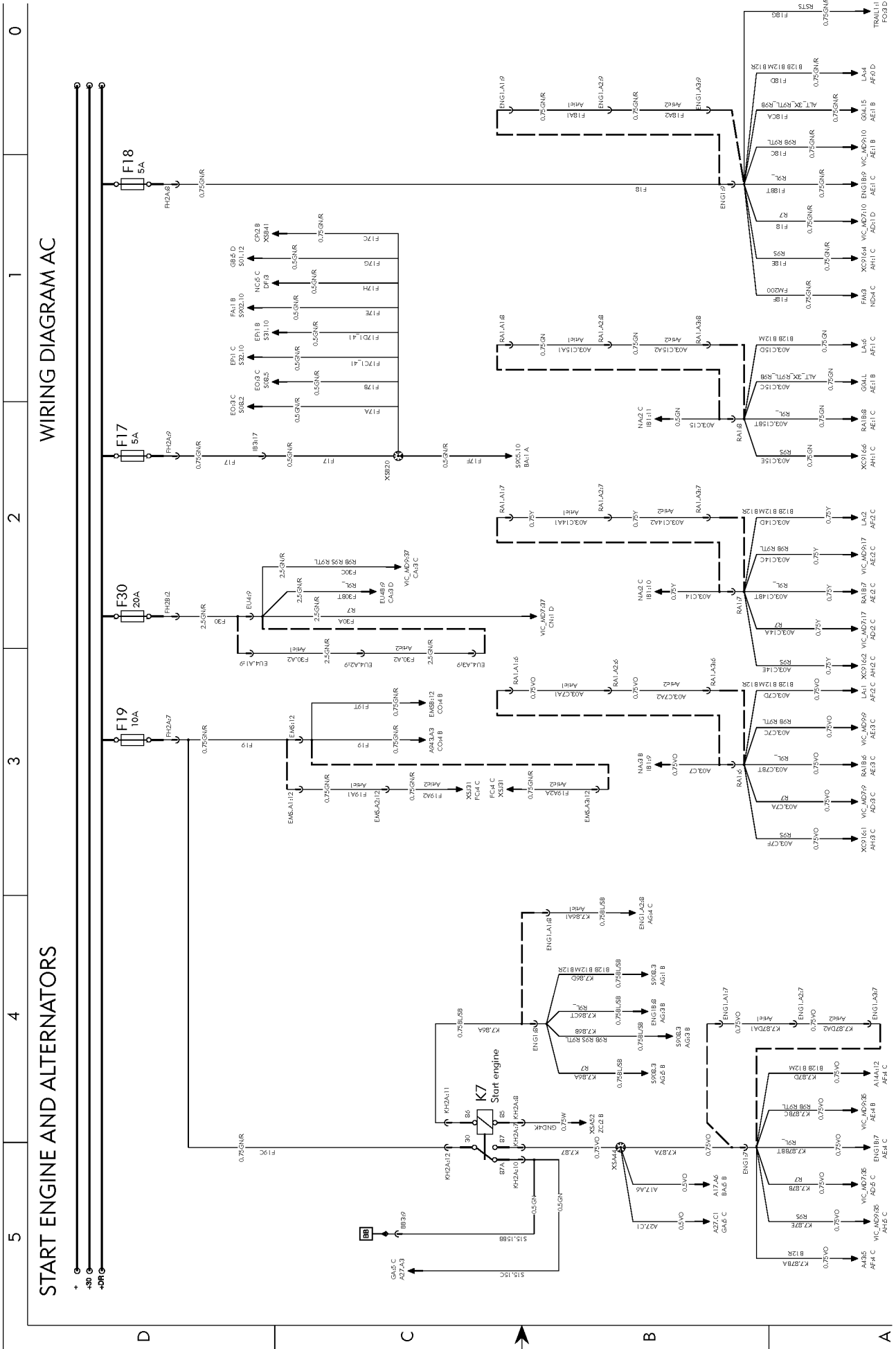
+ Battery voltage.  
 + 30 Voltage with S12 key connected (main switch).  
 + DR Voltage with the ignition key in the drive position, the preheating position and the start position.



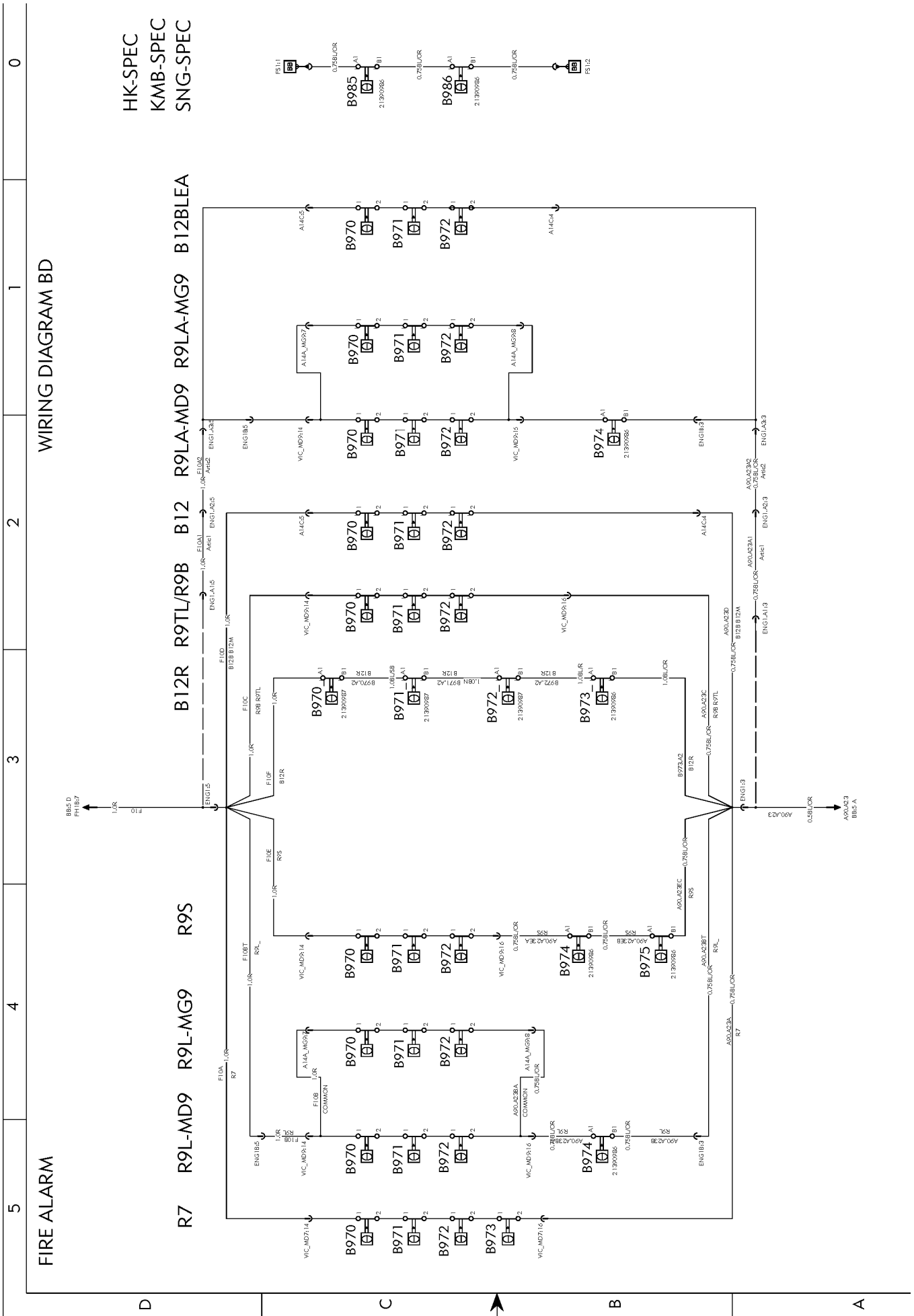
Connection point



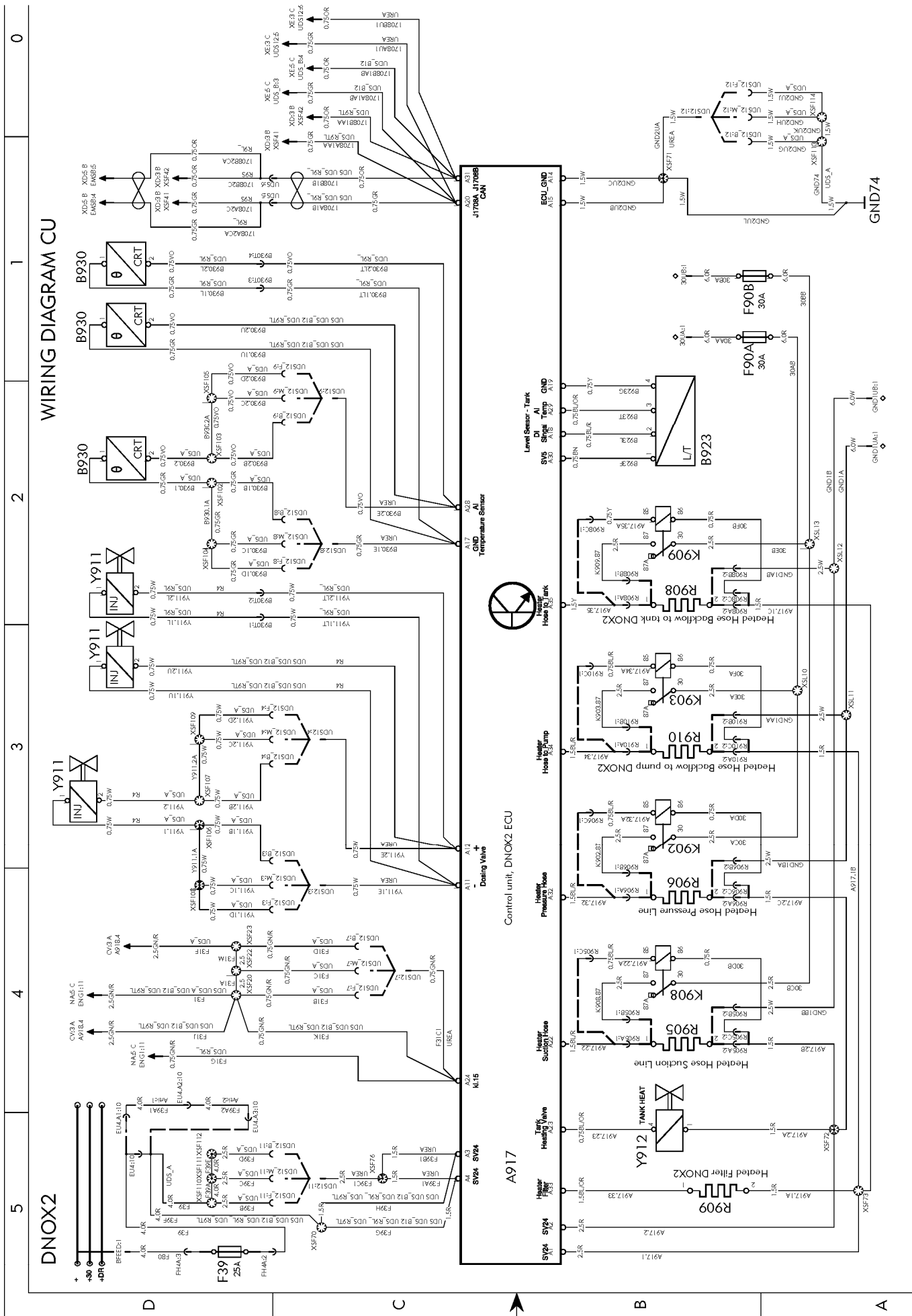
Fuse.

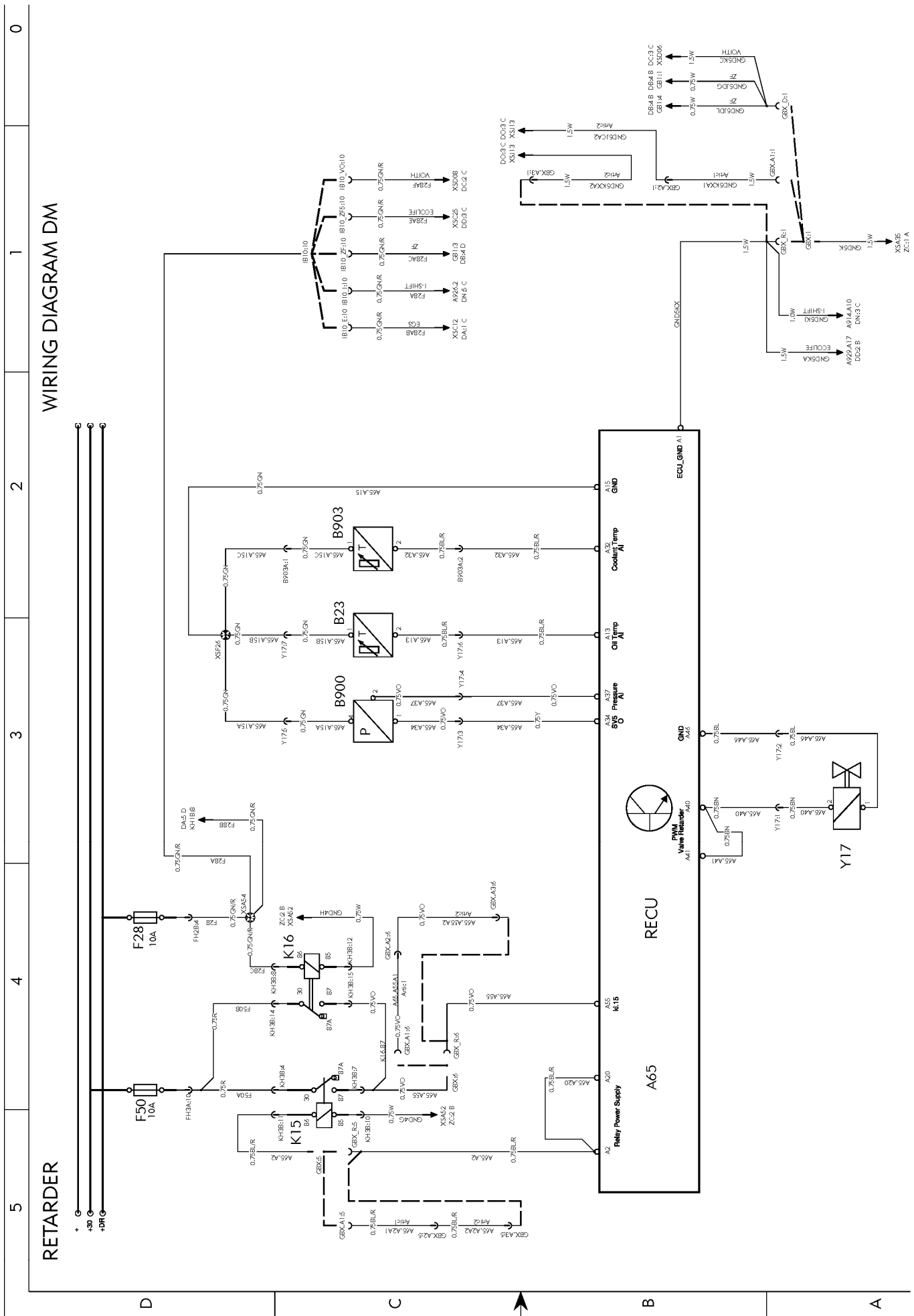


C3036204

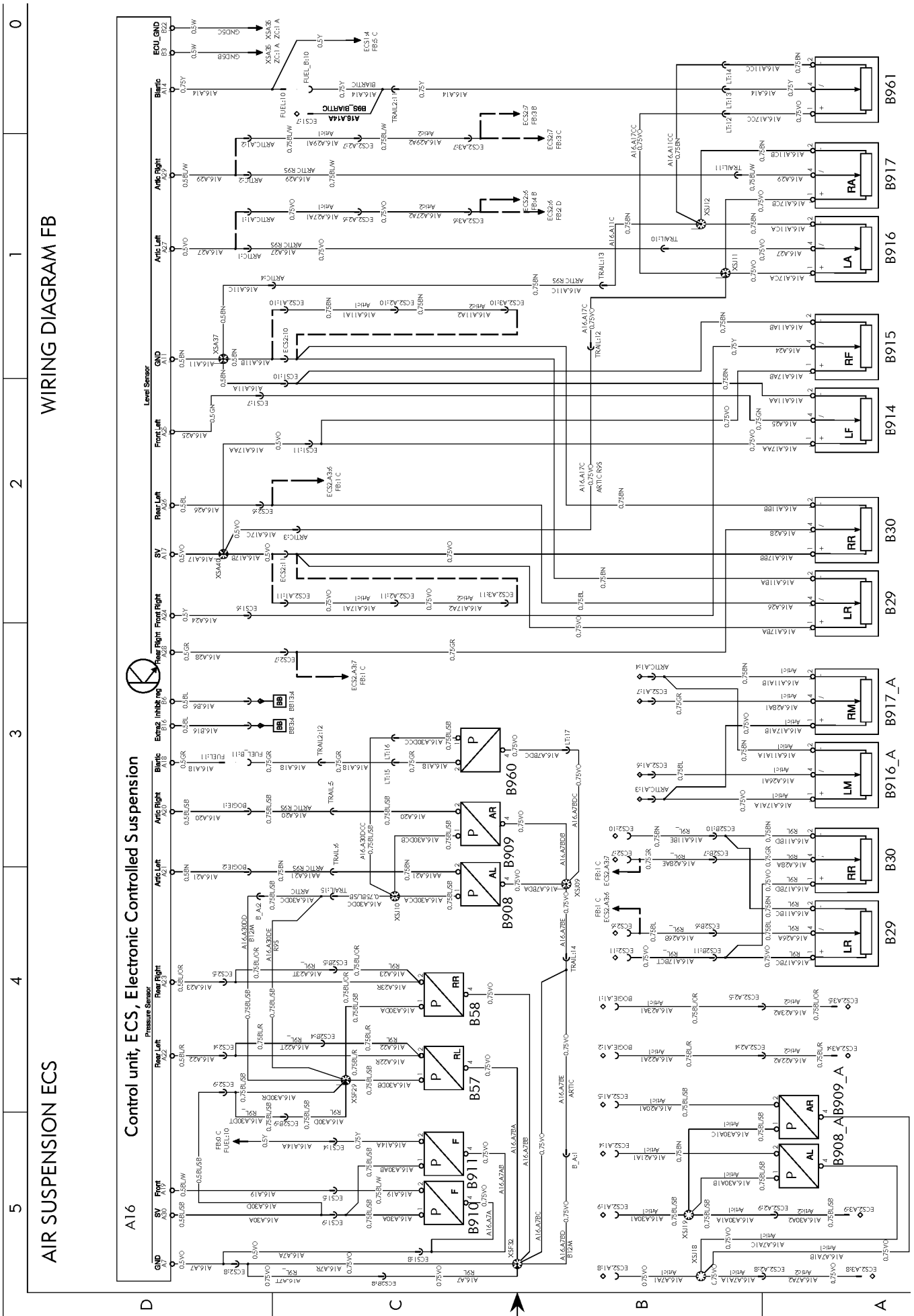


C3036213

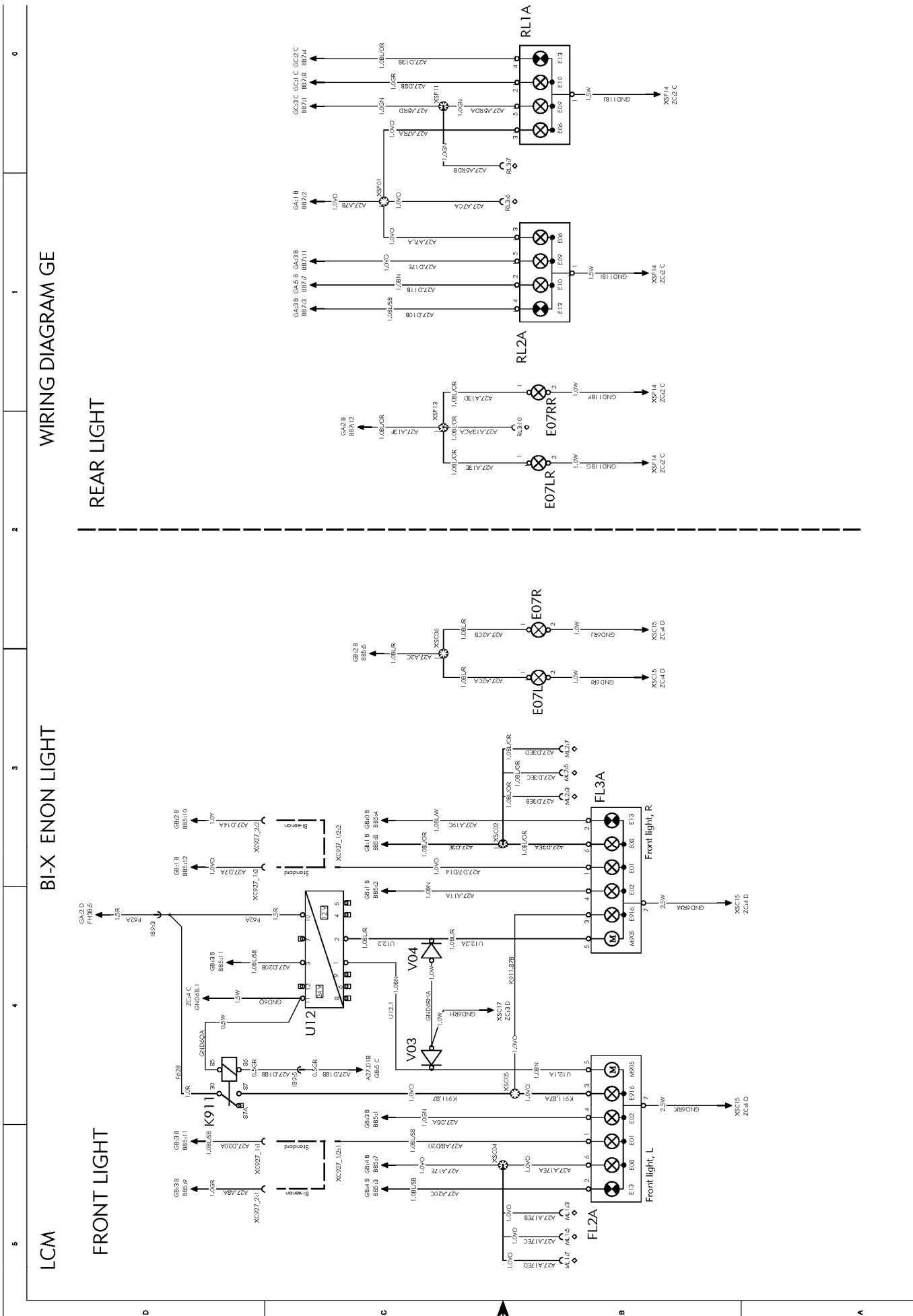




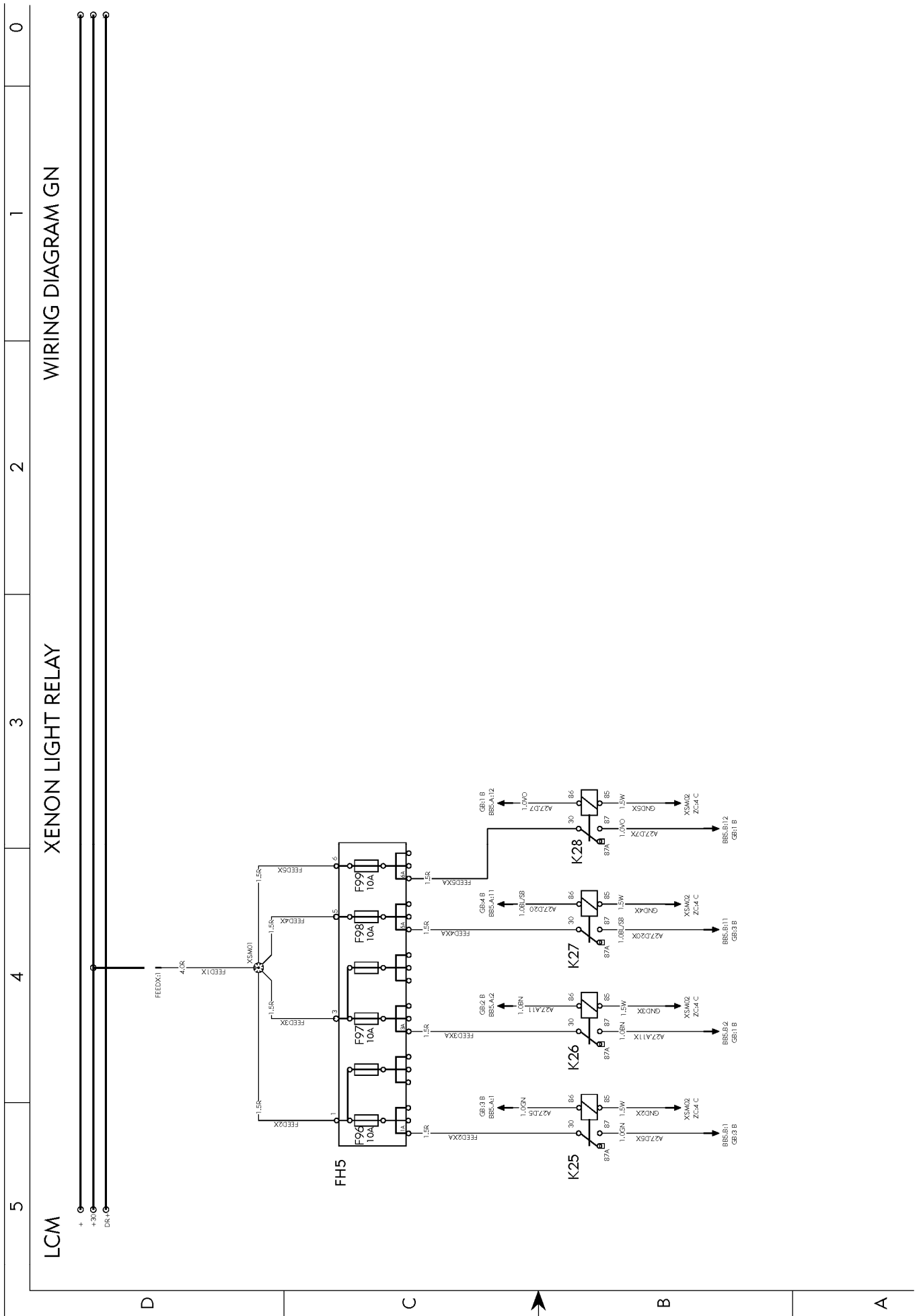
C3036249



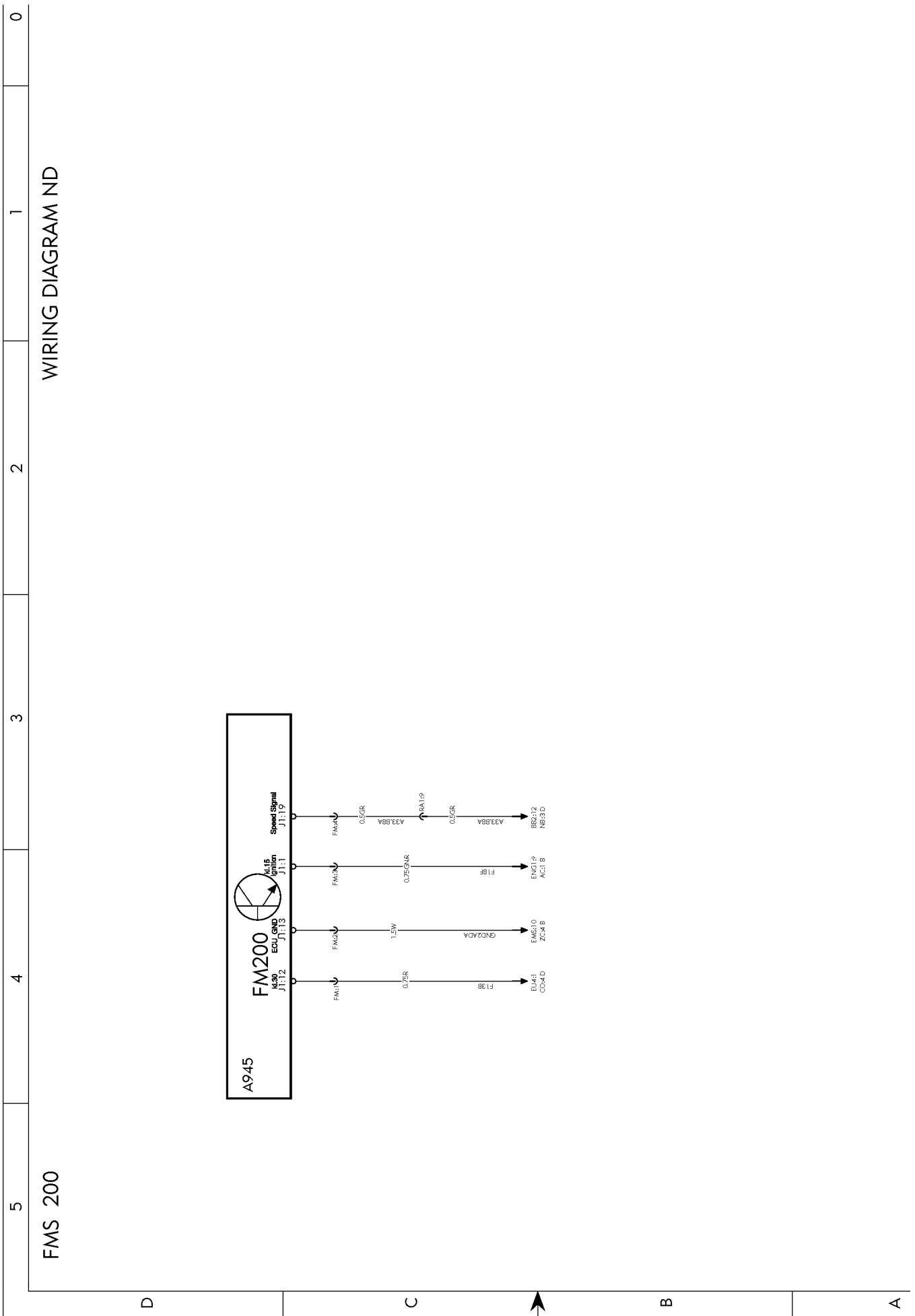
C3036269

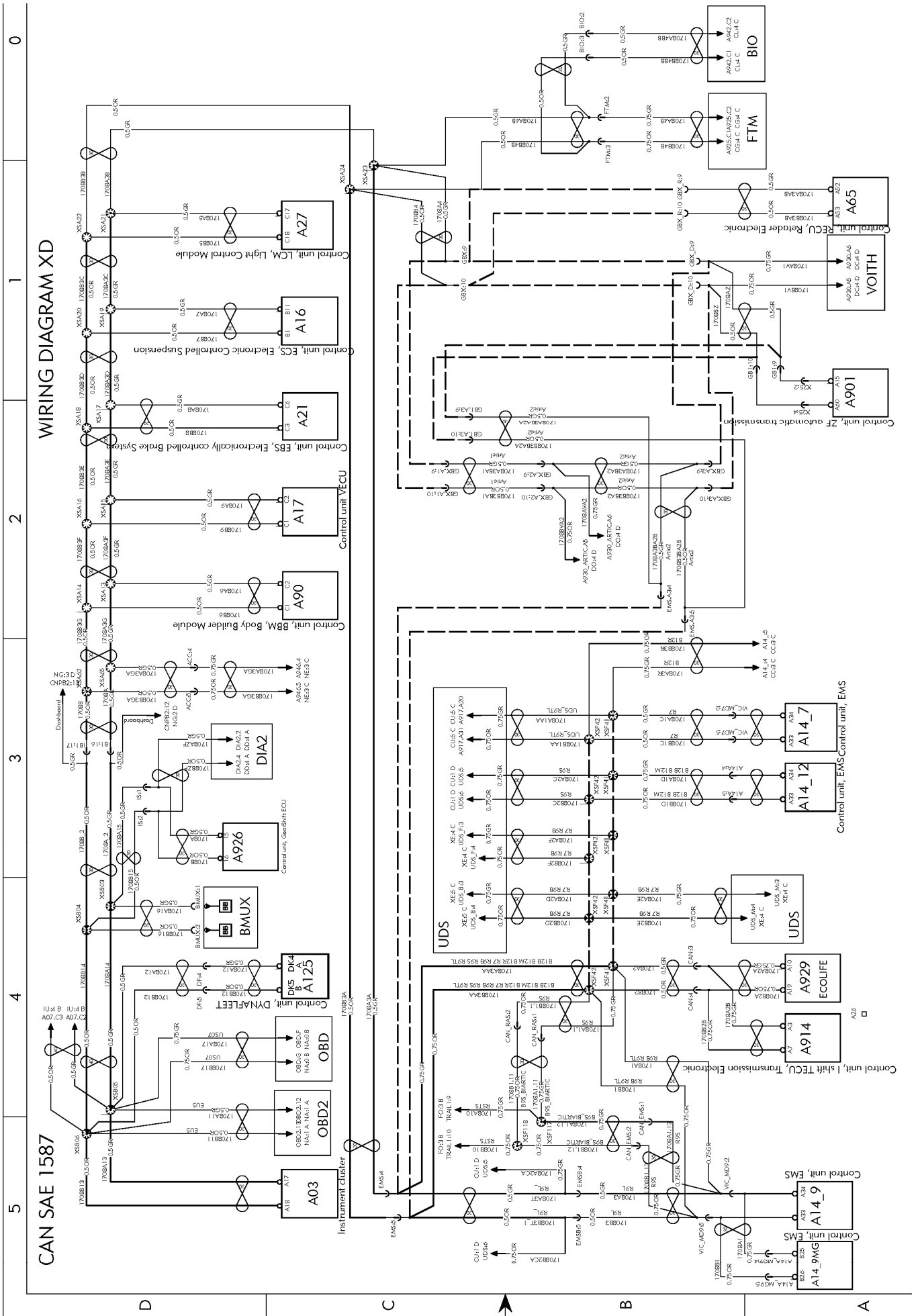




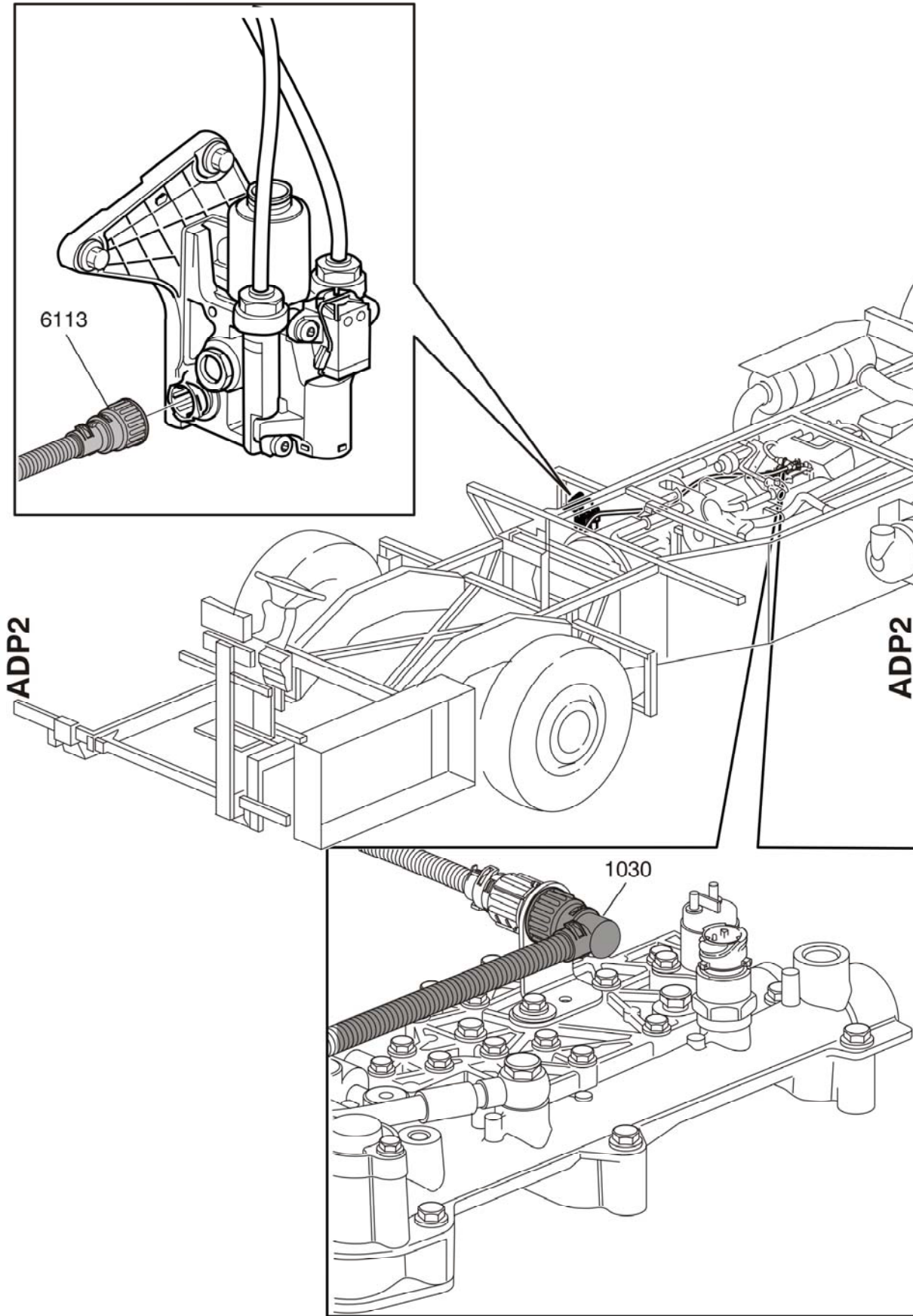


C3036289

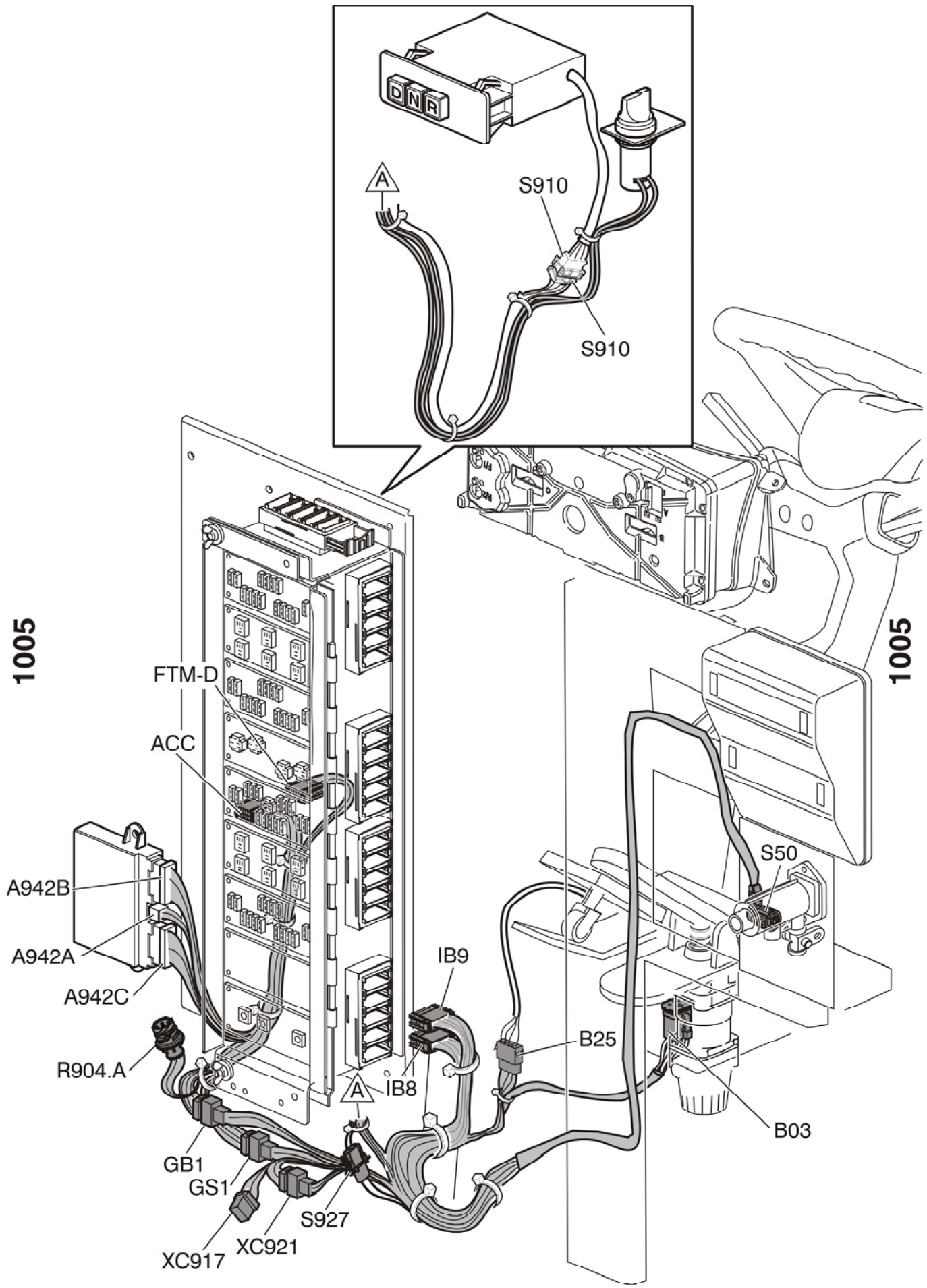


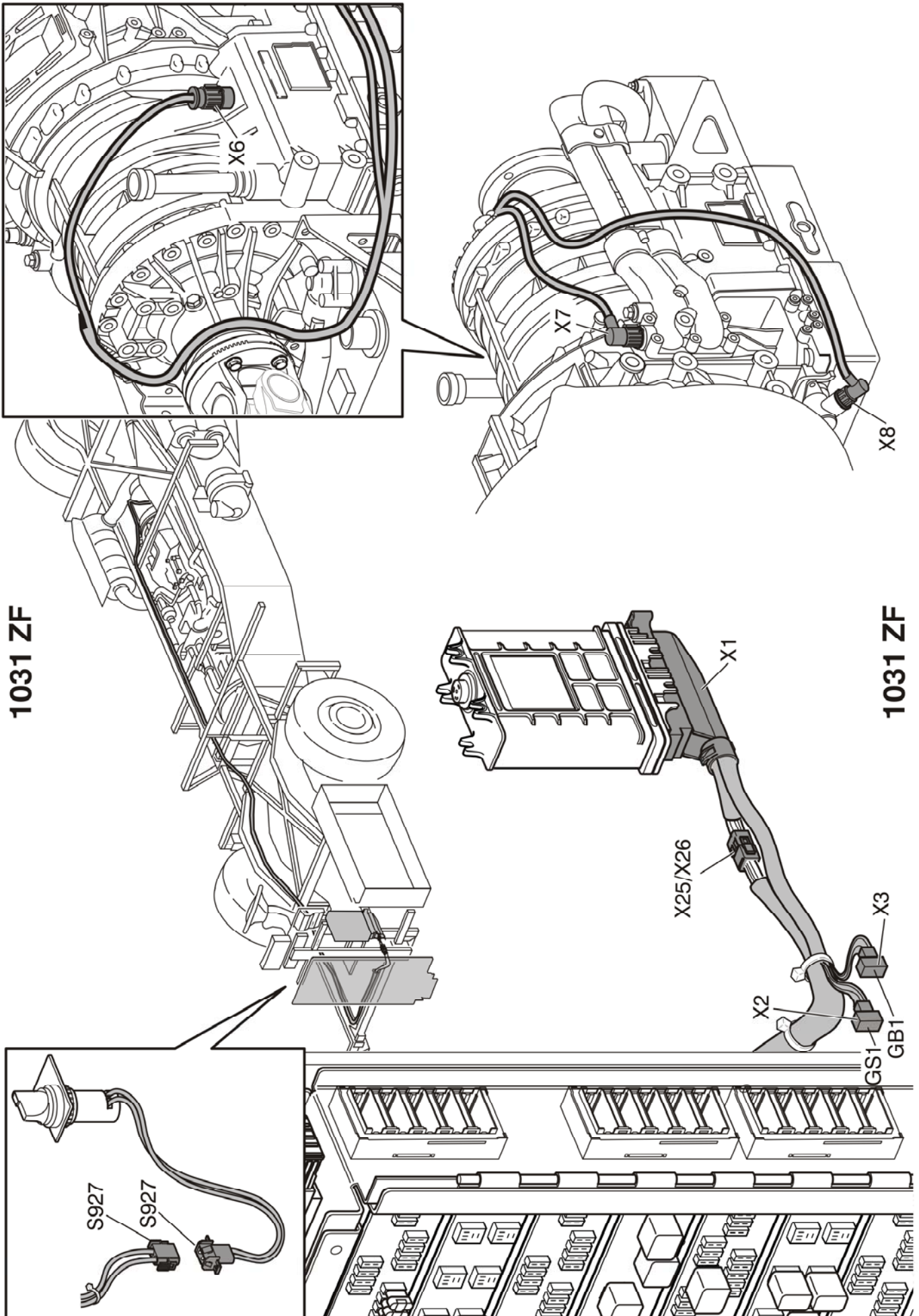


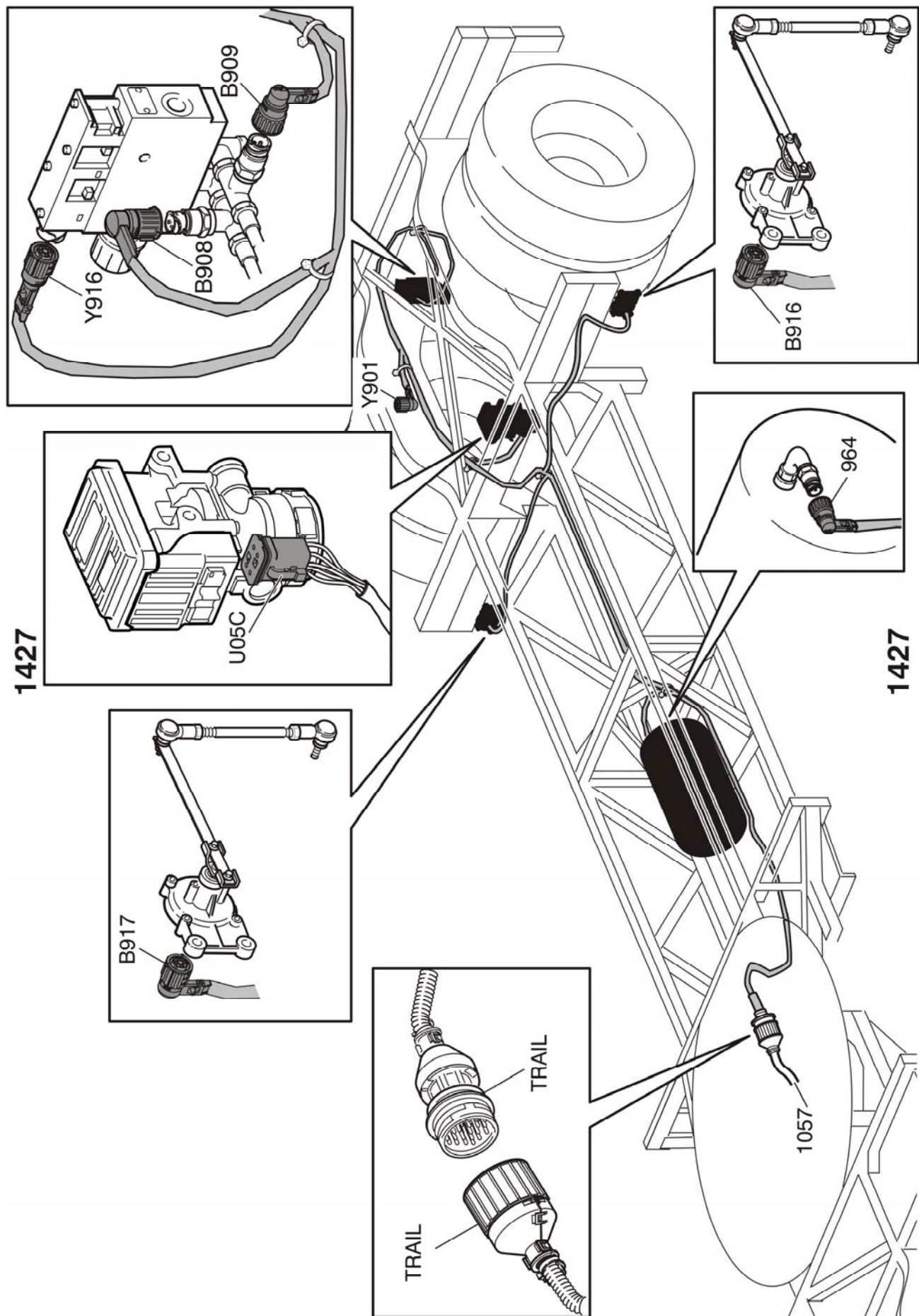
C3036302



C3002103







C3002100