

SERIAL NUMBER IDENTIFICATIONENGINES-Diesel

12J00001C 2.5 N.A

19J00001C 2.5 Turbo

11L00001 200 TDI 1991 MY

16L00001A 300 TDI 1995 MY

ENGINES-Petrol

20G00001 3.5 Litre V8 8.13.1 CR NON DETOXED

24G00001 3.5 Litre V8 8.13.1 CR DETOXED

17H00001C 2.5

GEARBOX-LT85 Manual Type

20C00001 5 Speed V8 Carb

22C00001 5 Speed V8 Carb

GEARBOX-LT77 Manual Type

50A00001 5 Speed 4 Cylinder

GEARBOX-LT77S Manual Type

56A00001 5 Speed 200 TDI 1991 MY

60A00001 5 Speed V8

61A00001 5 Speed V8 with Oil Cooler

TRANSFER GEARBOX-LT230T Type

20D00001 4 Cylinder Petrol/Diesel

22D00001 4 Cylinder Diesel Turbo

25D00001 V8 Petrol

TRANSFER GEARBOX-LT230T Type used onLT77S GEARBOX

32D00001 4 Cylinder Petrol/Diesel and V8

GEARBOX-R380 Manual Type

50A00001J 300 TDI

60A00001J V8

61A00001J V8 COOLED

50A00001J 4Cyl (Not TDI)





VIN CODE	ENGINE	GEARBOX	STEERING
HOOD/CAB/HARDTOP			
SALLDHAD7**	2.5 PETROL	5 SPEED	RH STG
SALLDHAD8**	2.5 PETROL	5 SPEED	LH STG
SALLDHAC7**	2.5 DIESEL	5 SPEED	RH STG
SALLDHAB7**	2.5 DIESEL TURBO	5 SPEED	RH STG
SALLDHAC8**	2.5 DIESEL	5 SPEED	LH STG
SALLDHAB8**	2.5 DIESEL TURBO	5 SPEED	LH STG
SALLDHAV7**	3.5 PETROL	5 SPEED	RH STG
SALLDHAV8**	3.5 PETROL	5 SPEED	LH STG

## STATION WAGON

SALLDHMD7**	2.5 PETROL	5 SPEED	RH STG
SALLDHMD8**	2.5 PETROL	5 SPEED	LH STG
SALLDHMC7**	2.5 DIESEL	5 SPEED	RH STG
SALLDHMB7**	2.5 DIESEL TURBO	5 SPEED	RH STG
SALLDHMC8**	2.5 DIESEL	5 SPEED	LH STG
SALLDHMB8**	2.5 DIESEL TURBO	5 SPEED	LH STG
SALLDHMV7**	3.5 PETROL	5 SPEED	RH STG
SALLDHMV8**	3.5 PETROL	5 SPEED	LH STG

## HIGH CAPACITY PICK-UP

SALLDHH7**	2.5 PETROL	5 SPEED	RH STG
SALLDHH8**	2.5 PETROL	5 SPEED	LH STG
SALLDHC7**	2.5 DIESEL	5 SPEED	RH STG
SALLDHB7**	2.5 DIESEL TURBO	5 SPEED	RH STG
SALLDHC8**	2.5 DIESEL	5 SPEED	LH STG
SALLDHB8**	2.5 DIESEL TURBO	5 SPEED	LH STG
SALLDHHV7**	3.5 PETROL	5 SPEED	RH STG
SALLDHHV8**	3.5 PETROL	5 SPEED	LH STG

\*\* BA - 87 MODEL YEAR

\*\* EA - 88 MODEL YEAR

\*\* FA - 89 MODEL YEAR

\*\* GA - 90 MODEL YEAR



DEFENDER 110 VEHICLE IDENTIFICATION NUMBERING  
FROM INTRODUCTION OF 1991 MODEL YEAR

VIN CODE	ENGINE	GEARBOX	STEERING
REGULAR			
SALLDHAD7**	2.5 PETROL	5 SPEED	RH STG
SALLDHAD8**	2.5 PETROL	5 SPEED	LH STG
SALLDHAC7**	2.5 DIESEL	5 SPEED	RH STG
SALLDHAC8**	2.5 DIESEL	5 SPEED	LH STG
SALLDHAF7**	200 TDI	5 SPEED	RH STG
SALLDHAF8**	200 TDI	5 SPEED	LH STG
SALLDHAV7**	3.5 PETROL	5 SPEED	RH STG
SALLDHAV8**	3.5 PETROL	5 SPEED	LH STG

## STATION WAGON

SALLDHMD7**	2.5 PETROL	5 SPEED	RH STG
SALLDHMD8**	2.5 PETROL	5 SPEED	LH STG
SALLDHMC7**	2.5 DIESEL	5 SPEED	RH STG
SALLDHMC8**	2.5 DIESEL	5 SPEED	LH STG
SALLDHMF7**	200 TDI	5 SPEED	RH STG
SALLDHMF8**	200 TDI	5 SPEED	LH STG
SALLDHMV7**	3.5 PETROL	5 SPEED	RH STG
SALLDHMV8**	3.5 PETROL	5 SPEED	LH STG

## HIGH CAPACITY PICK-UP

SALLDHH7**	2.5 PETROL	5 SPEED	RH STG
SALLDHH8**	2.5 PETROL	5 SPEED	LH STG
SALLDHC7**	2.5 DIESEL	5 SPEED	RH STG
SALLDHC8**	2.5 DIESEL	5 SPEED	LH STG
SALLDHF7**	200 TDI	5 SPEED	RH STG
SALLDHF8**	200 TDI	5 SPEED	LH STG
SALLDHHV7**	3.5 PETROL	5 SPEED	RH STG
SALLDHHV8**	3.5 PETROL	5 SPEED	LH STG

DEFENDER 130 VEHICLE IDENTIFICATION NUMBERING  
FROM INTRODUCTION OF 1991 MODEL YEAR

VIN CODE	ENGINE	GEARBOX	STEERING
REGULAR			
SALLDKAF7**	200 TDI	5 SPEED	RH STG
SALLDKAF8**	200 TDI	5 SPEED	LH STG
SALLDKAV7**	3.5 PETROL	5 SPEED	RH STG
SALLDKAV8**	3.5 PETROL	5 SPEED	LH STG

## HIGH CAPACITY PICK-UP

SALLDKHF7**	200 TDI	5 SPEED	RH STG
SALLDKHF8**	200 TDI	5 SPEED	LH STG
SALLDKHV7**	3.5 PETROL	5 SPEED	RH STG
SALLDKHV8**	3.5 PETROL	5 SPEED	LH STG

\*\* HA-91 MODEL YEAR

\*\* JA-92 MODEL YEAR

\*\* KA-93 MODEL YEAR

\*\* LA-94 MODEL YEAR

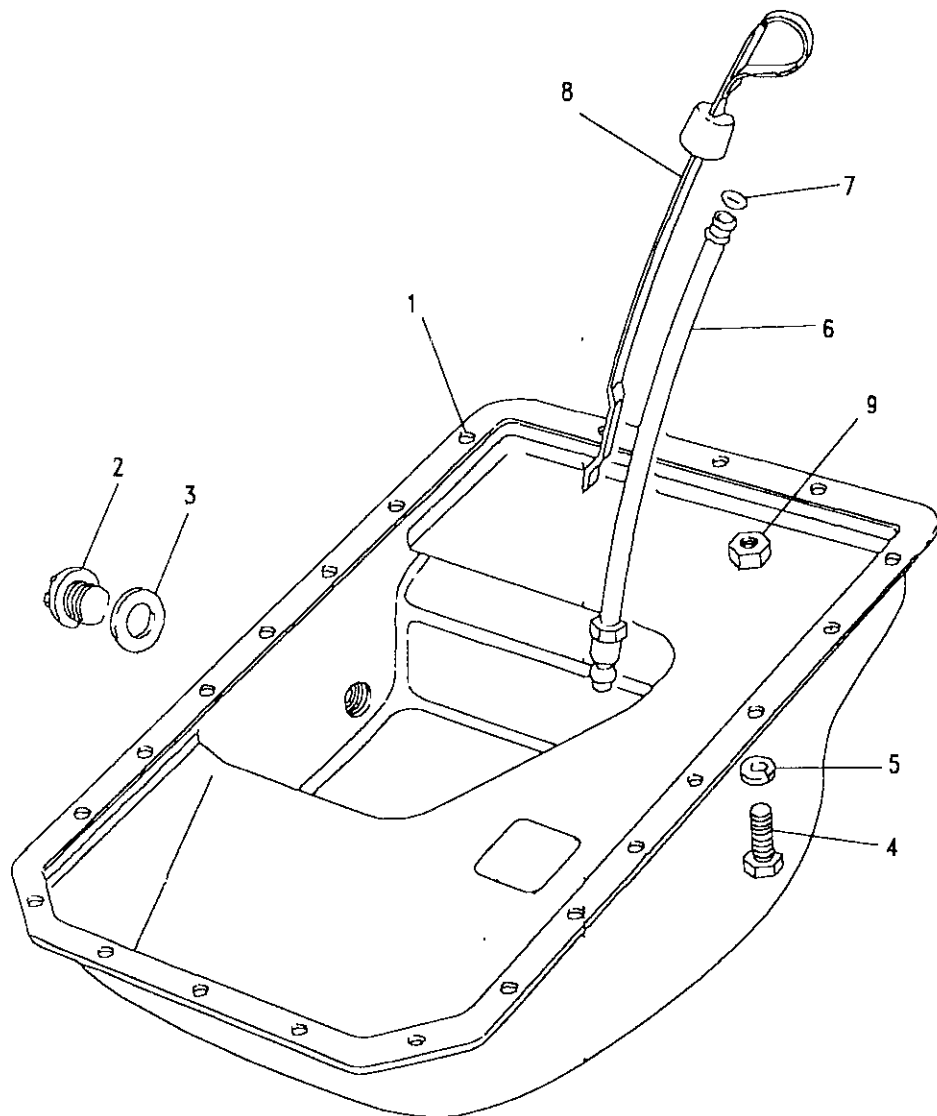
\*\* MA-95 MODEL YEAR



**Model** DEFENDER 110 1987 onwards  
**Page** AFBFDA1A

**ENGINE - SUMP - 2.5 PETROL**

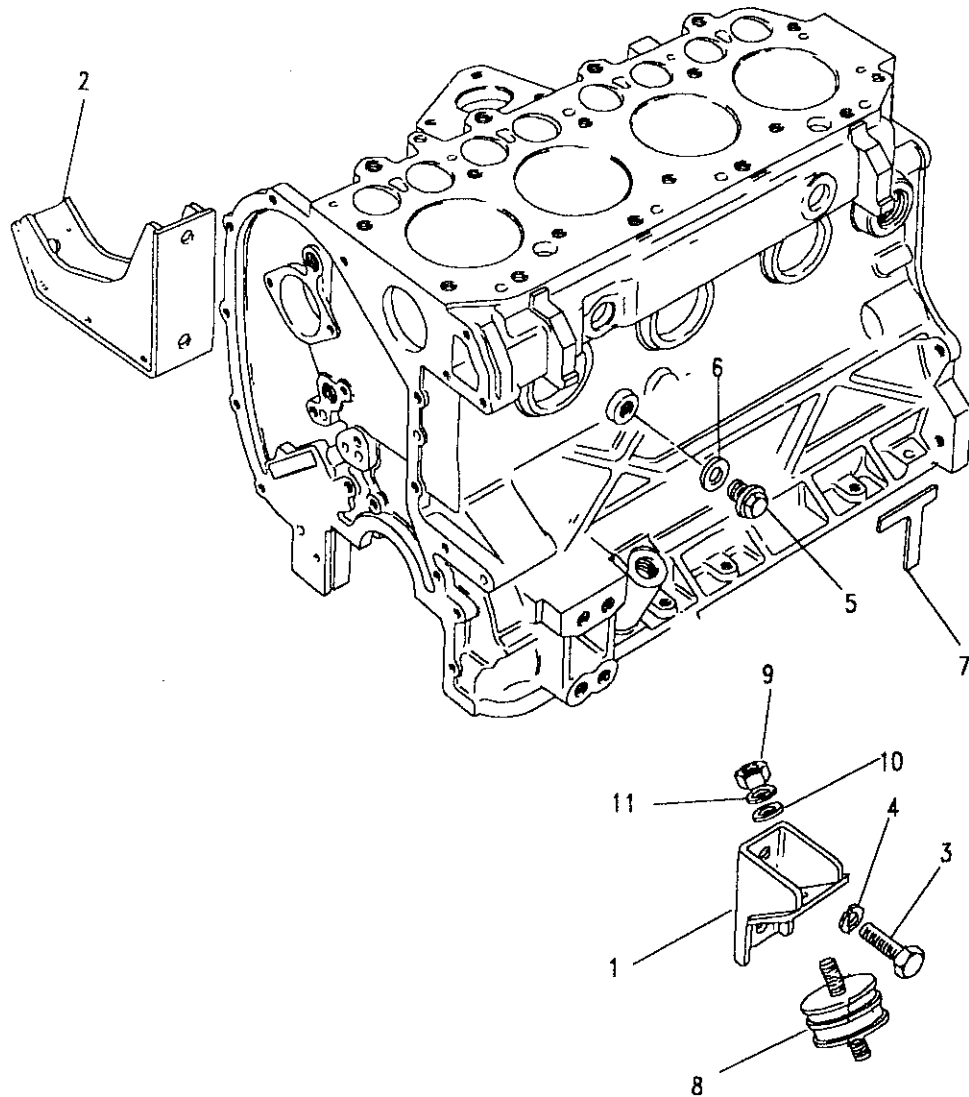
III. Part No.	Description	Qty	Remarks
1	ERR4716	1	Sump
2	599552	1	Plug drain
3	FRC4808	1	Washer joint
4	SH108161L	22	Screw
5	WL108001L	22	Washer spring
6	ERC8980	1	Tube-dipstick
7	532387	1	Ring sealing
8	ETC7867	1	Dipstick
9	NH108041L	1	Nut M8



**Model** DEFENDER 110 1987 onwards  
**Page** AFBFDC1A

**ENGINE - ENGINE MOUNTINGS - 2.5 PETROL**

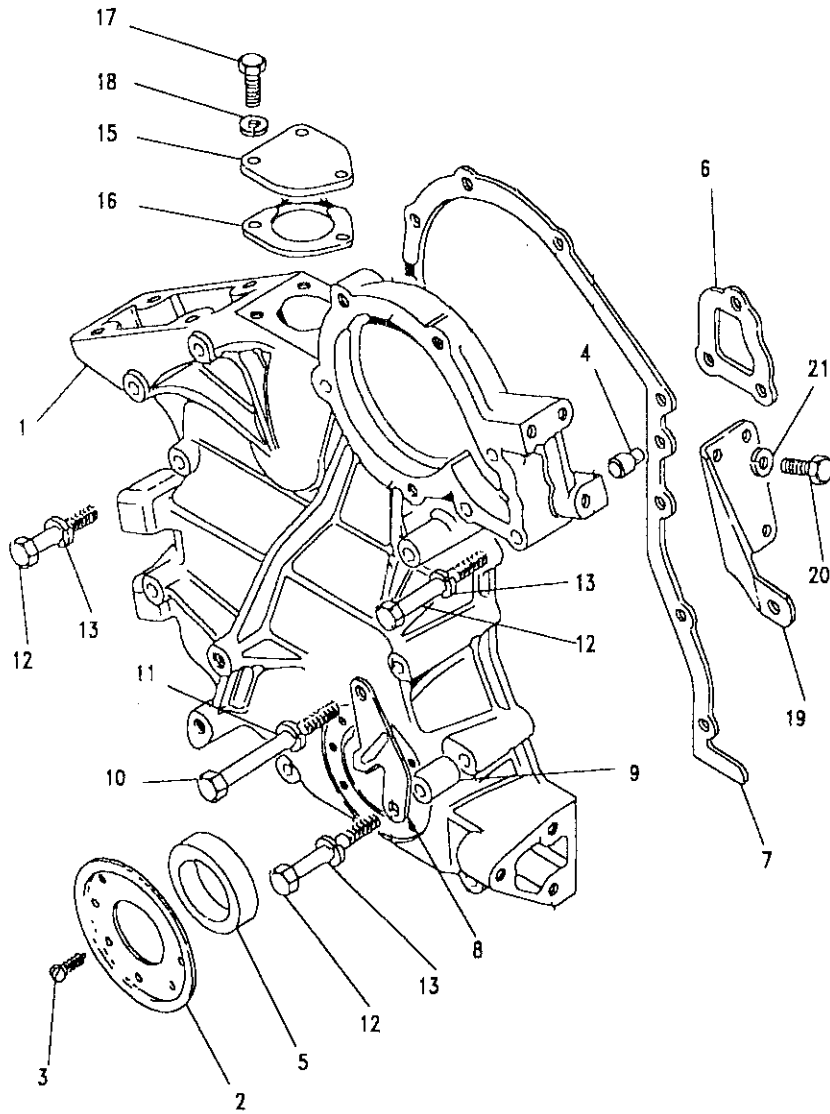
III. Part No.	Description	Qty	Remarks
1	NRC5434	1	Mounting foot-RH
2	NRC9557	1	Mounting foot-LH
3	SH112251L	4	Screw
4	WL112001L	4	Washer spring
5	ERC9410	1	Plug drain
6	AFU1882L	1	Washer joint-plug
7	ERC5086	2	Packing strip
8	ANR1808	2	Mounting rubber
9	NH110041L	4	Nut-rubber to foot
10	WC110061L	2	Washer-rubber to foot
11	WL110001L	4	Washer-spring-rubber





**Model** DEFENDER 110 1987 onwards  
**Page** AFBFEA1A

**ENGINE - FRONT COVER - 2.5 PETROL**



III. Part No.	Description	Qty	Remarks
1	ETC6081	1	
	ETC7947	1	AIR CON
2	247766	1	
3	AB606061L	8	
4	6395L	2	
5	ETC5187	1	
6	ERR1607	1	
7	538039	1	
8	ERC5361	1	
9	ERC6869	1	
10	ERC8964	1	
11	WL108001L	1	
12	ETC4994	1	
	BH108151L	1	NON AIR CON
	BH108105L	6	
13	WL108001L	8	)
	WA108051L	1	
12	ETC4995	1	)
	ERC9468	1	
	BH108131L	1	)
	BH108151L	1	
	BH108105L	2	)
	BH108201L	1	
	ERC8964	2	AIR CON
13	WL108001L	9	)
14	NH108041L	1	
15	574469	1	)
16	542636	1	
17	FS106201L	3	)
18	WL106001L	3	





DEFENDER 110 1987 onwards

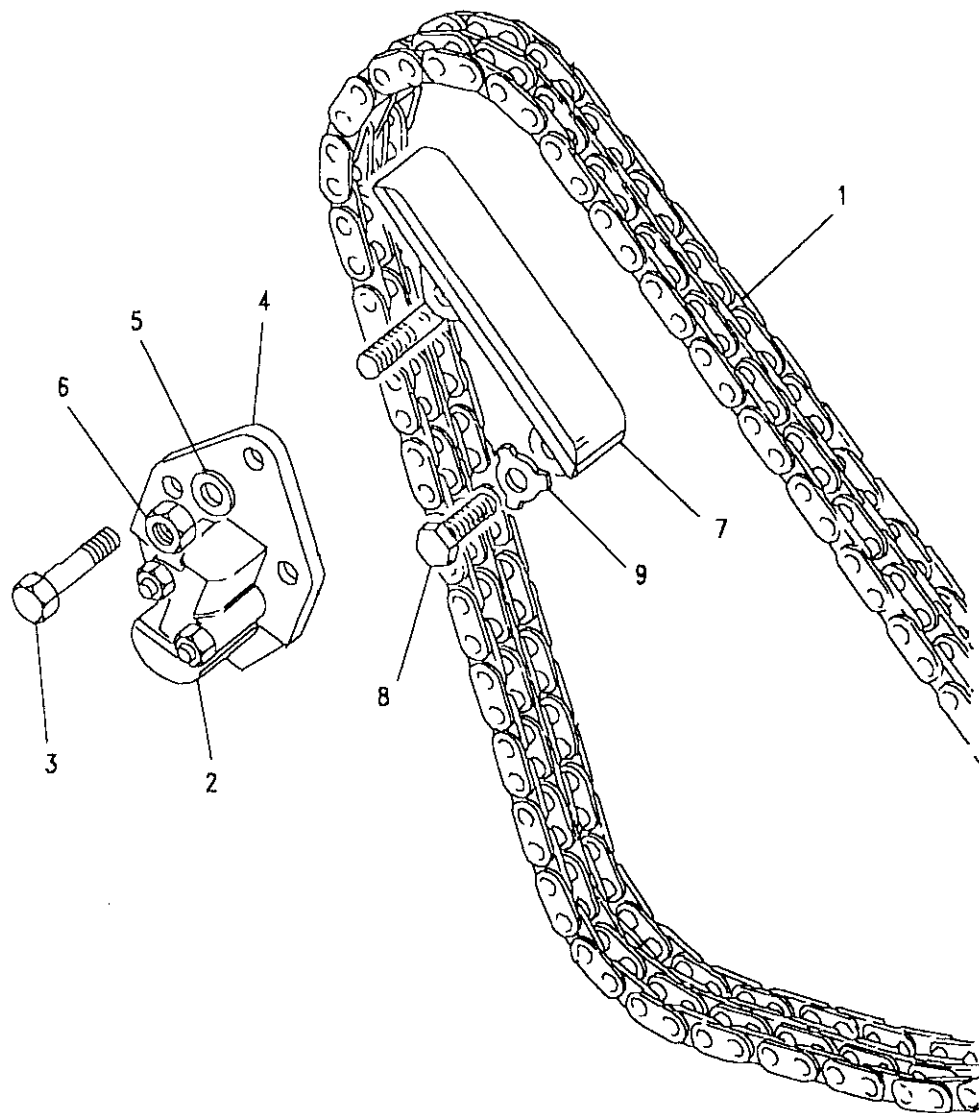
31

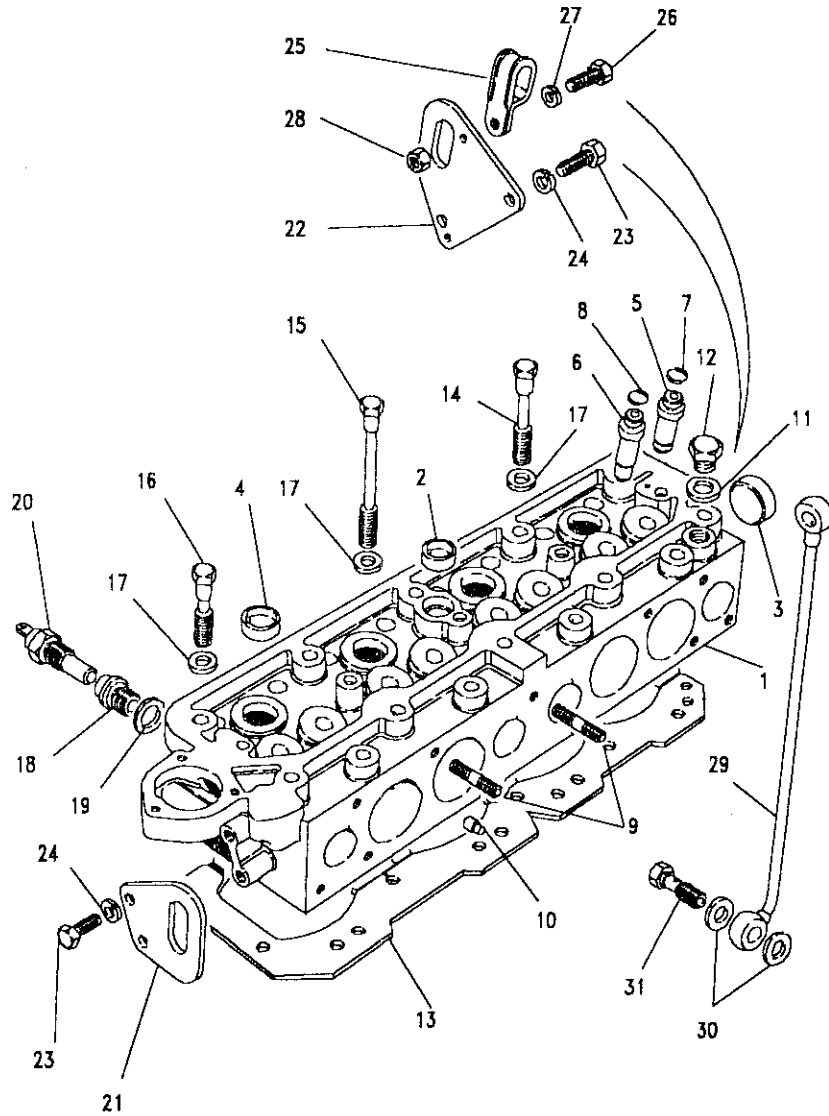
ENGINE

Model DEFENDER 110 1987 onwards  
Page AFBFEC1A

ENGINE - TIMING CHAIN - 2.5 PETROL

III. Part No.	Description	Qty	Remarks
1	ETC5191	1	Chain timing
2	ETC5190	1	Tensioner-timing chain
3	FS108201L	2	Screw flanged
4	TE108051L	1	Stud
5	WA108051L	3	Washer
6	NH108041L	1	Nut
7	275234	1	Damper vibration
8	SH106121L	2	Screw
9	557523	2	Washer lock





**Model** DEFENDER 110 1987 onwards  
**Page** AFBFGA1A

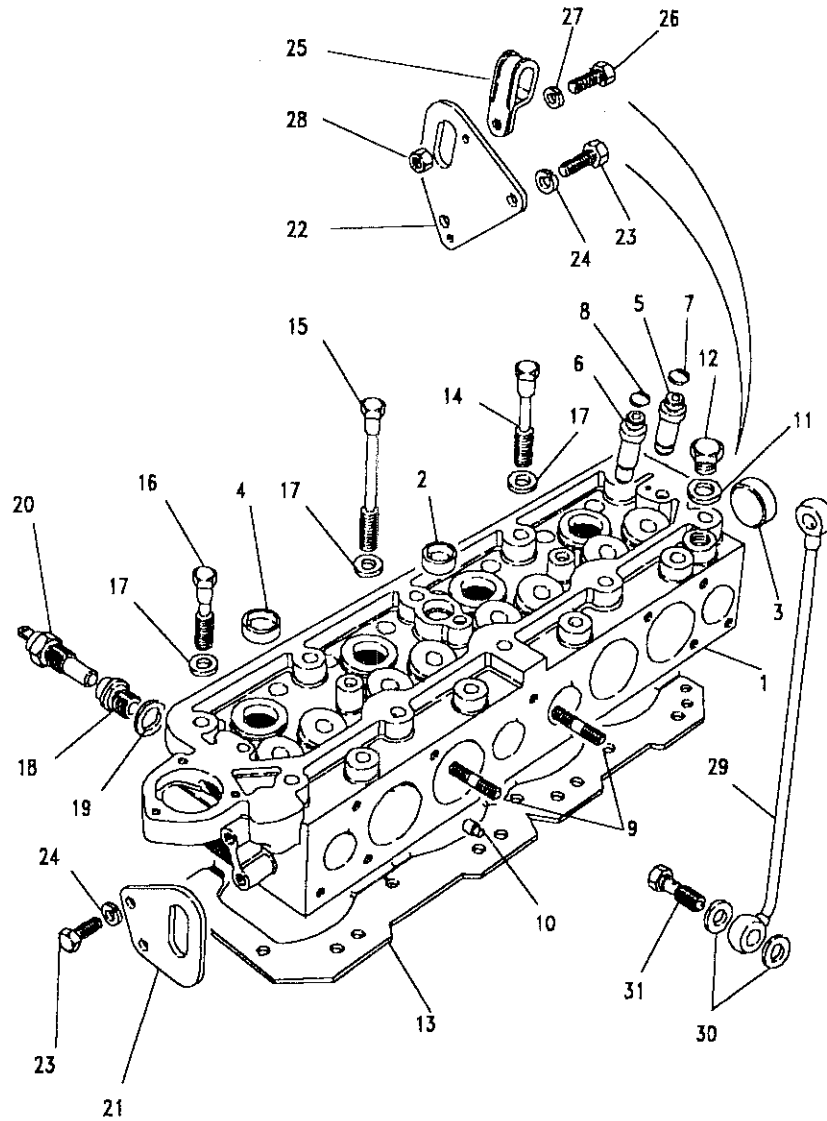
**ENGINE - CYLINDER HEAD - 2.5 PETROL**

III. Part No.	Description	Qty	Remarks
1	ETC5412	1	Cylinder head assembly
2	525497	1	Cup plug
3	524765	1	Cup plug
4	549702	4	Cup plug
5	568686	4	Guide valve-inlet
6	568687	4	Guide valve-exhaust
	ETC6278	4	Insert-valve seat
7	ERR1510	4	Seal-inlet valve
8	ETC4751	4	Seal-exhaust valve
9	TE108051L	3	Stud
10	213700	2	Dowel
11	AFU1890L	1	Washer joint
12	ERC9448	1	Plug
13	ERC6380	1	Gasket
14	247051	9	Bolt 4.562"
15	279648	4	Bolt 2.312"
16	554621	5	Bolt 4.125"

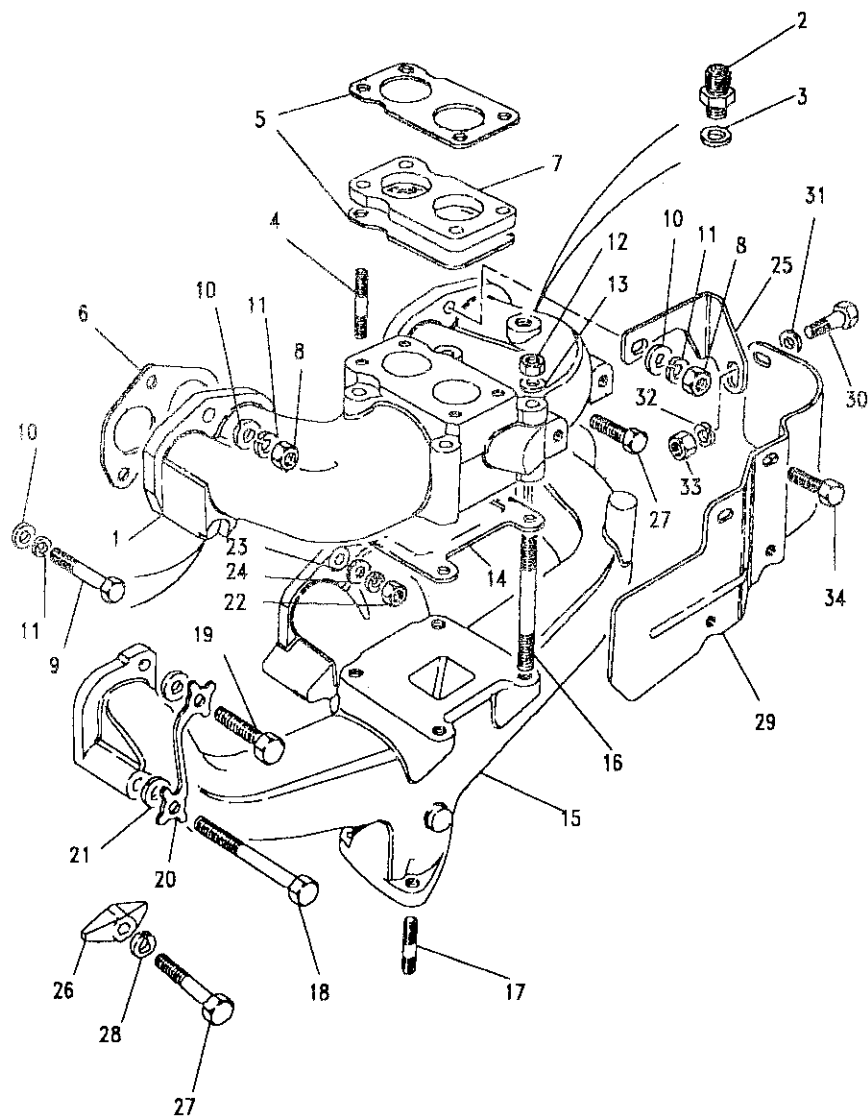


**Model** DEFENDER 110 1987 onwards  
**Page** AFBFGA1A

**ENGINE - CYLINDER HEAD - 2.5 PETROL**



III. Part No.	Description	Qty	Remarks
17 ERC6821	Washer	18	
18 ERC8973	Adaptor-water temp	1	UptoAPRIL1989
19 AFU1890L	Washer joint	1	
20 PRC2505	Transmitter water	1	UptoAPRIL1989
PRC6663	Transmitter water	1	FromAPRIL1989
21 ERC2254	Bracket lifting-front	1	
22 ETC7135	Bracket lifting-rear	1	
23 FS108201L	Screw flanged	4	
24 WL108001L	Washer spring	4	
25 543589	Clip	1	
26 SH104121L	Screw	1	
27 WA104001L	Washer	1	
28 NH104041L	Nut	1	
29 275679	Pipe oil feed	1	
30 ETC6510	Washer joint	4	
31 ETC4498	Bolt banjo	2	



Model DEFENDER 110 1987 onwards

Page AFBFHA1A

ENGINE - MANIFOLDS - 2.5 PETROL

III. Part No.	Description	Qty	Remarks
16	TE108131L Stud-manifold to manifold	4	
17	AFU1848L Stud-exhaust pipe	3	
18	BH108141L Bolt-manifold to head	2	
19	SH108301L Screw-manifold to head	2	
20	596490 Locking plate	2	
21	587405 Washer-manifold to head	4	
22	NH108041L Nut-centre flange to head	1	
23	587405 Washer	1	
24	WL108001L Washer spring	1	
25	ETC5040 Bracket-heat shield	1	
26	564308 Clamp-manifold to head	2	
27	BH108141L Bolt-manifold to head	2	
28	WL108001L Washer spring	2	
29	ERC8712 Shield-exhaust manifold	1	
30	FS108207L Bolt-shield to manifold	1	
31	WA108051L Washer	4	
32	WL108001L Washer spring	3	
33	NH108041L Nut-shield to manifold	1	
34	SH108141L Screw-shield to manifold	2	
	ERC8722 Bolt-shield to manifold	2	

Model DEFENDER 110 1987 onwards  
 Page AFBFIA1A

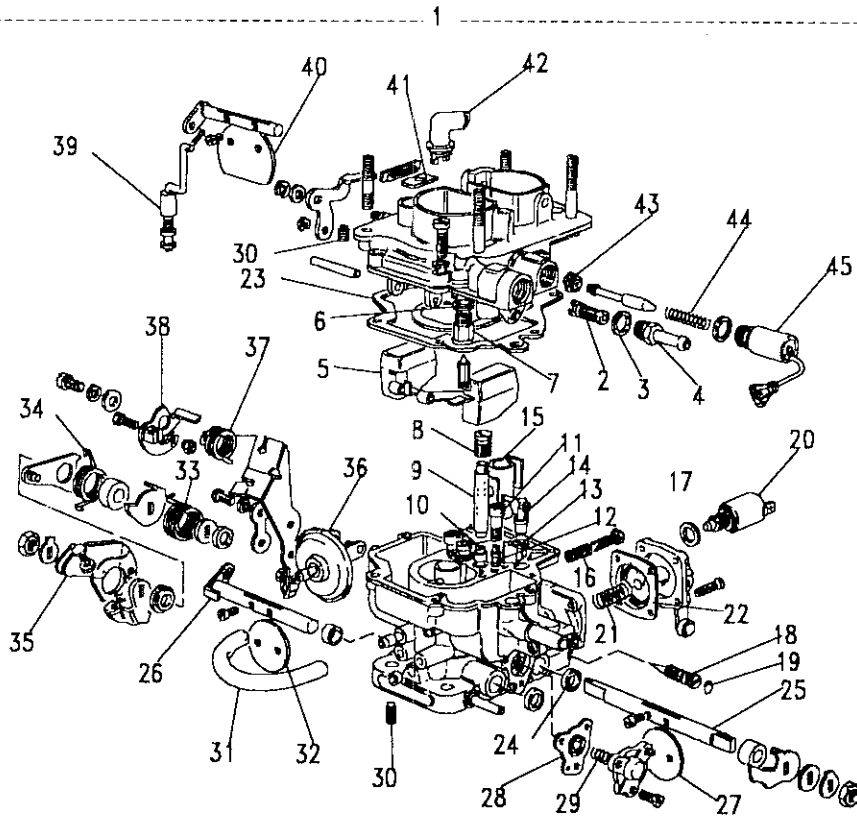
ENGINE - CARBURETTORS - 2.5 PETROL

III. Part No.

Description

Qty Remarks

1	ETC6350	Carburettor twin choke	1	Upto17H08822C
	ETC7144	Carburettor twin choke	1	From17H08823C
2	RTC4421	Filter	1	NLA
3	RTC4420	Washer	1	NLA
4	RTC4419	Fuel-inlet	1	
5	AEU2583	Float	1	
6	RTC4896	Gasket-needle valve	1	NLA
7	AEU2584	Needle valve	1	NLA
8	AEU2565	Jet air correction-prime	1	
	RTC4858	Jet air correction-sec	1	
9	AEU2566	Emulsion tube-primary	1	
	RTC4857	Emulsion tube-secondary	1	
10	RTC4852	Jet main-primary/sec	2	
11	AEU2582	Jet idle holder	1	
12	RTC4849	Jet idle-primary	1	
	AEU2580	Jet idle-secondary	1	
13	RTC4897	'O' ring	1	
14	AEU2578	Jet pump	1	NLA
15	AEU2585	Auxiliary venturi(PRI)	1	
	RTC4859	Auxiliary venturi(SEC)	1	
16	AEU2577	Spring-idle speed screw	1	
17	RTC4898	Screw idle speed	1	
18	RTC4899	Screw idle mixture	1	NLA
19	RTC4900	'O' ring-mixture screw	1	NLA
20	RTC4850	Solenoid-idle cut off	1	
21	AEU2575	Spring pump	1	
22	RTC4901	Diaphragm pump	1	NLA
23		Gasket	1	NLA
24	RTC4903	Seal shaft	3	NLA

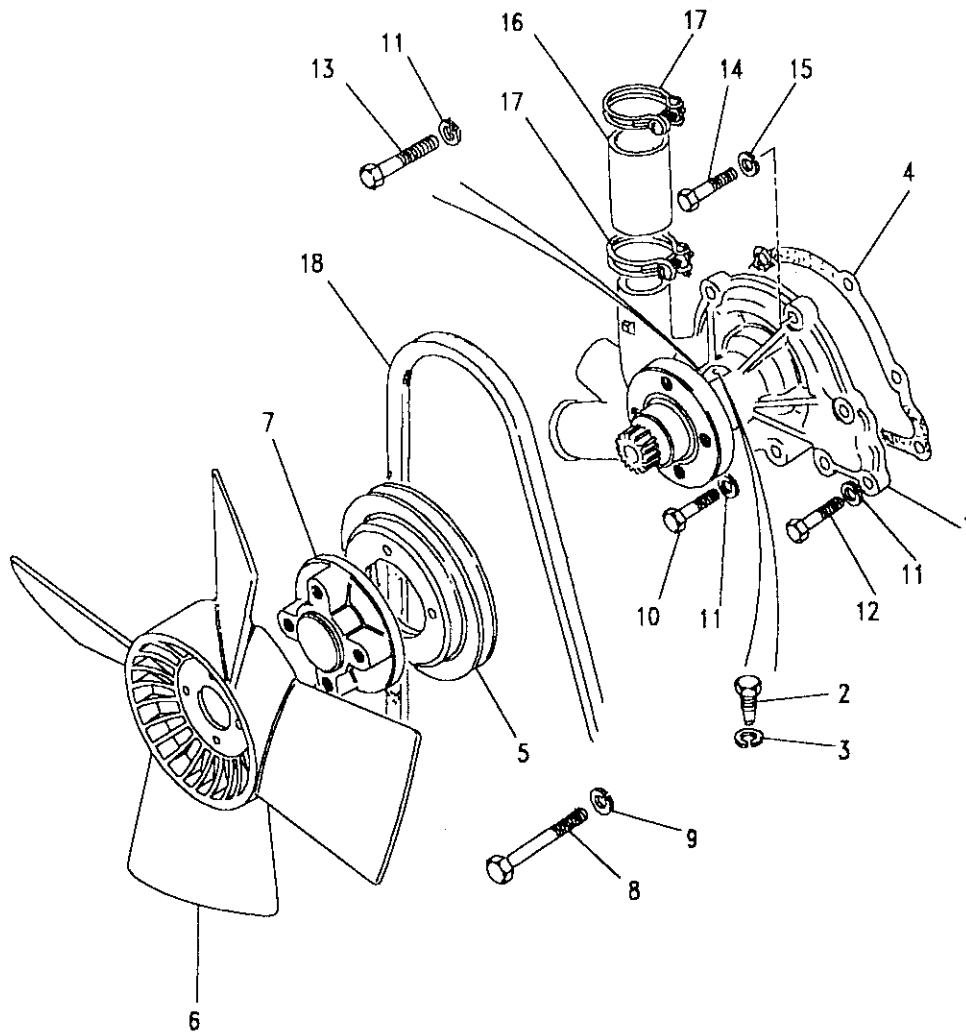


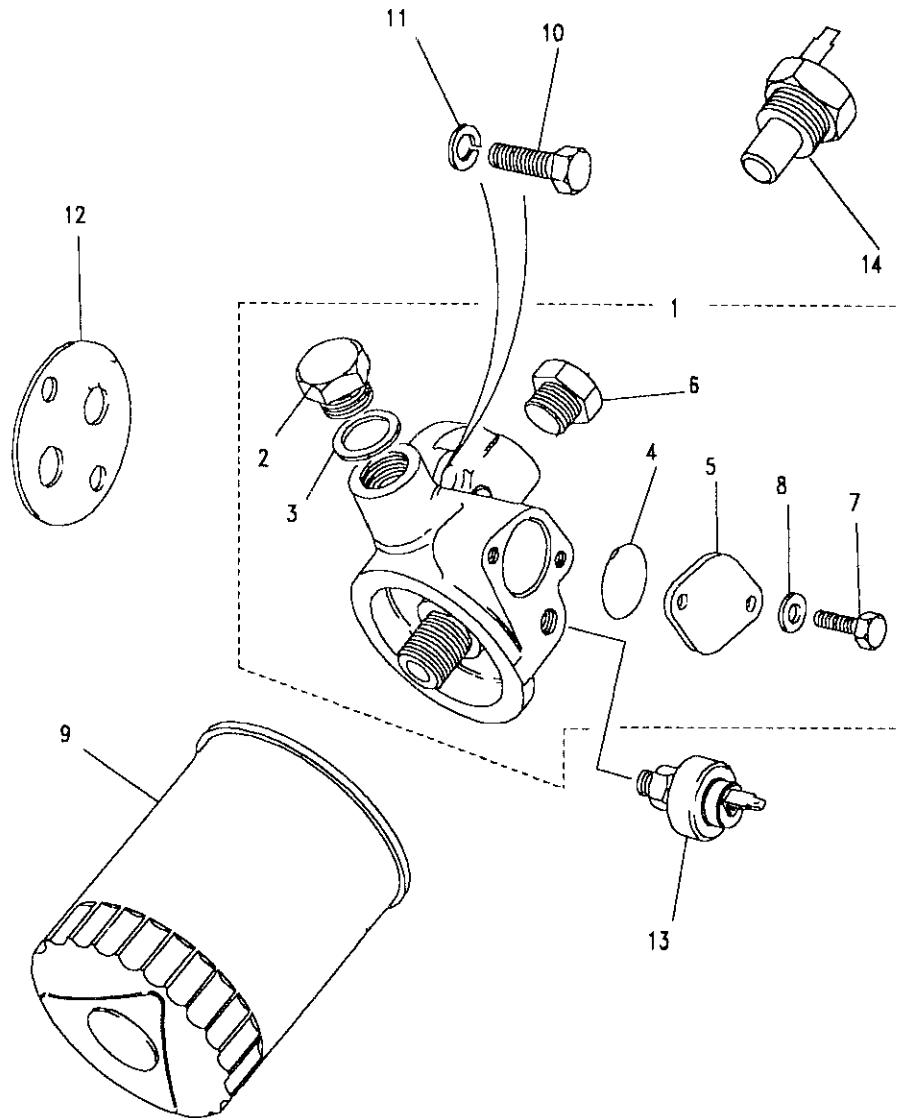
Model DEFENDER 110 1987 onwards

Page AFBFEE1A

ENGINE - WATER PUMP - 2.5 PETROL - BASIC

III. Part No.	Description	Qty	Remarks
1	STC637	1	Pump water
2	ERC5600	1	Screw special
3	WL106001L	1	Washer spring
4	ERC5655	1	Gasket
5	ERC5578	1	Pulley-single groove
6	ERC5545	1	Fan assembly
7	ERC7489	1	Spacer
8	FB108111L	4	Bolt flanged
9	WL108001L	4	Washer spring
10	BH108161L	2	Bolt-pump to block
11	WL108001L	4	Washer spring
12	BH108171L	1	Bolt-pump to block
13	BH108151L	1	Bolt-pump to block
14	FS108301L	3	Bolt
15	WL108001L	3	Washer spring
16	ERC5654	1	Hose-by pass to outlet
17	CN100408L	2	Clip hose
18	ETC7939	1	Belt fan





**Model** DEFENDER 110 1987 onwards  
**Page** AFBFFA2A

**ENGINE - OIL FILTER - 2.5 PETROL**

III. Part No.	Description	Qty	Remarks
1	ETC5347	1	Note(1)
2	RTC6851	1	
3	213961	1	
4	ERC5913	1	
5	ERC9884	1	
6	ETC4021	1	Note(2)
7	SH106141L	2	
8	WA106041L	2	
9	ERR3340	1	
10	SH110301L	2	
11	WL110001L	2	
12	ERR4934	1	
13	PRC6387	1	
14	PRC2505	1	Note(2)

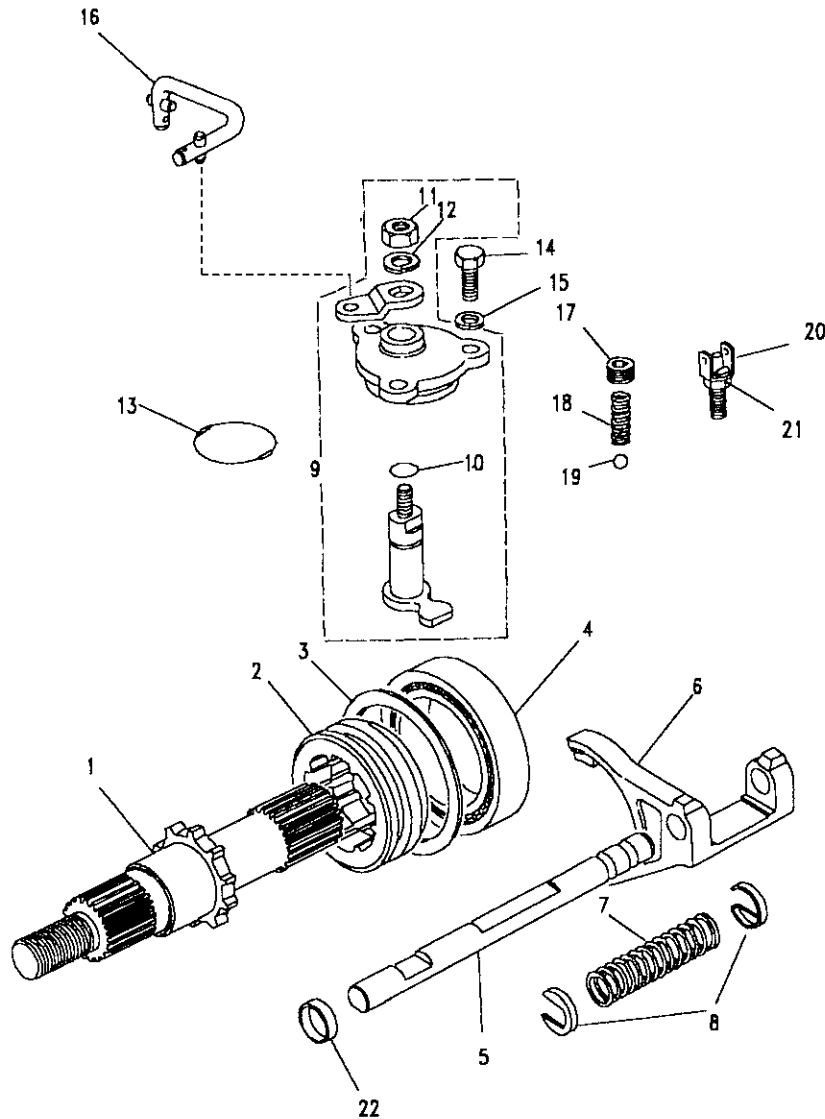
Note(1)  
 Note(2)

ETC5347 is interchangeable with ETC6519(includes filter)  
 Remove ETC4021 when fitting PRC2505



Model DEFENDER 110 1987 onwards  
Page AFDCIA5A

TRANSFER GEARBOX - FRONT OUTPUT SHAFT - LT85



Ill. Part No.	Description	Qty	Remarks
4	FRC7871	1	Bearing-taper
5	FRC6030	1	Shaft selector-diff lock
6	FRC6109	1	Fork selector-diff lock
7	FRC5468	1	Spring-diff lock
8	FRC5469	2	Clip-spring
9	FRC8041	1	Housing assembly
10	FRC5576	1	'O'ring
11	NY108041L	1	Nut
12	WA108051L	1	Washer
13	FRC5473	1	'O'ring
14	SH108251L	3	Screw
15	WA108051L	3	Washer
16	FRC7948	1	Link connecting assembly
17	SU112101L	1	Plug-detent
18	FRC5562	1	Spring-detent
19	571146	1	Ball-detent
20	PRC2911	1	Switch-diff lock
21	NT110041L	1	Lock nut-switch
22	FRC6110	1	Plug-selector shaft





Model DEFENDER 110 1987 onwards  
Page AFDCKA1A

TRANSFER GEARBOX - HIGH LOW GEARS - LT85

III. Part No.	Description	Qty	Remarks
1	FRC7434	1	Gear low
2	RTC4373	1	Sleeve and hub assembly
3	FRC7885	1	Gear-high output
4	FRC7441	1	Bush
5	606474	1	Bearing
6	FRC7970	1	Nut-bearing retainer
7	FRC9513	1	Shaft selector-high/ow
8	FTC2859	1	Fork-high/low selector
9	FRC7018	2	Screw-selector forks
10	FRC7929	1	Selector finger
11	FRC8899	1	Arm operating-high/low
12	FRC9549	1	Plug-detent
13	FRC9546	1	Spring-detent
14	571146	1	Ball-detent
15	FRC5575	2	O ring Note(1)

Note(1) Part of gasket kit RTC3890

