

PARTS LISTING INFORMATION

SERIAL NUMBER OR PRODUCT IDENTIFICATION NUMBER (PIN) INFORMATION SHOWS ON WHICH MACHINES PART MAY BE USED; FOR EXAMPLE:

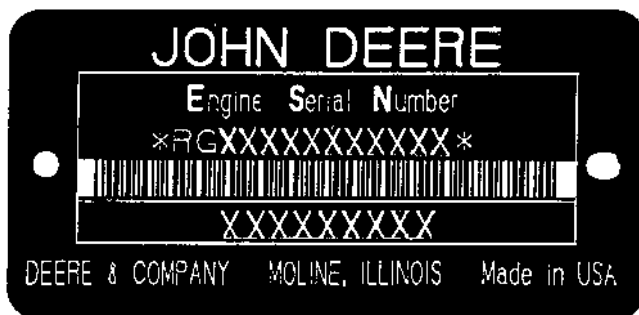
- THE PART CAN BE USED ON ALL MACHINES.
- 000000 THE PART CAN BE USED ON ALL MACHINES UP TO AND INCLUDING THE SERIAL NUMBER LISTED.
- 000000- THE PART CAN BE USED ON ALL MACHINES BEGINNING WITH THE SERIAL NUMBER LISTED.
- 000000-000000 THE PART CAN BE USED ON ALL MACHINES BETWEEN AND INCLUDING SERIAL NUMBERS LISTED.

WHEN XXXXXX'S ARE LISTED IN PLACE OF A SERIAL NUMBER, A SERIAL NUMBER CHANGE WAS MADE, BUT THE EXACT SERIAL NUMBER IS NOT AVAILABLE WHEN THE CATALOG WAS PRINTED.

SHORT BLOCK SERIAL NUMBER PLATE

(-RGSB076882500)

RGP3513 -UN-01JAN94



RGP3513

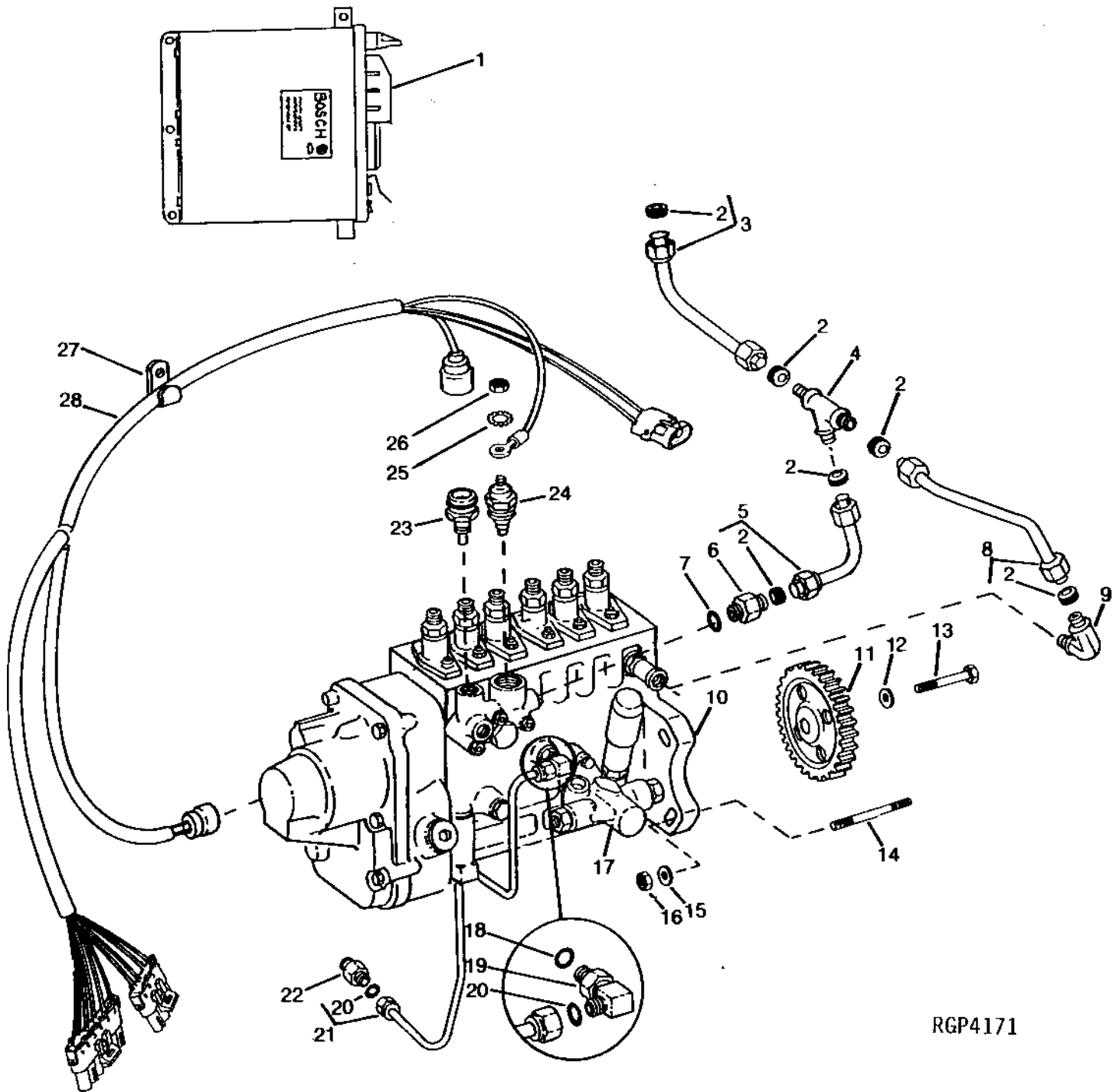
THE REPLACEMENT SHORT BLOCK ASSEMBLY HAS A SERIAL NUMBER PLATE ATTACHED. THE ORIGINAL ENGINE SERIAL NUMBER MUST BE STAMPED ONTO THE NEW PLATE IN THE BLANK SPACE PROVIDED, AS A REFERENCE FOR YOUR DEALER. THE PLATE CAN BE ATTACHED WITH (2) 37H44 DRIVE SCREWS.

- | | |
|---------------------------------------|----------------------------|
| 1. DESIGNATES ENGINE MANUFACTURER | RG - WATERLOO ENGINE WORKS |
| 2. DESIGNATES REPLACEMENT SHORT BLOCK | SB |
| 3. DESIGNATES LITERS | XXX- 076 (7.6) |
| 4. DESIGNATES THE PRODUCTION DATE | 8825 |
| 5. DESIGNATES COMPONENT SEQUENCE | 00 |

1E3

6076 ENGINE (HH030)

FUEL INJECTION PUMP, LUBE LINE AND ENGINE CONTROLLER (6076HH030)
(ENGINE SERIAL NO. 500000-536793)
(EARLY DESIGN)
RGP4171 -UN-20OCT94

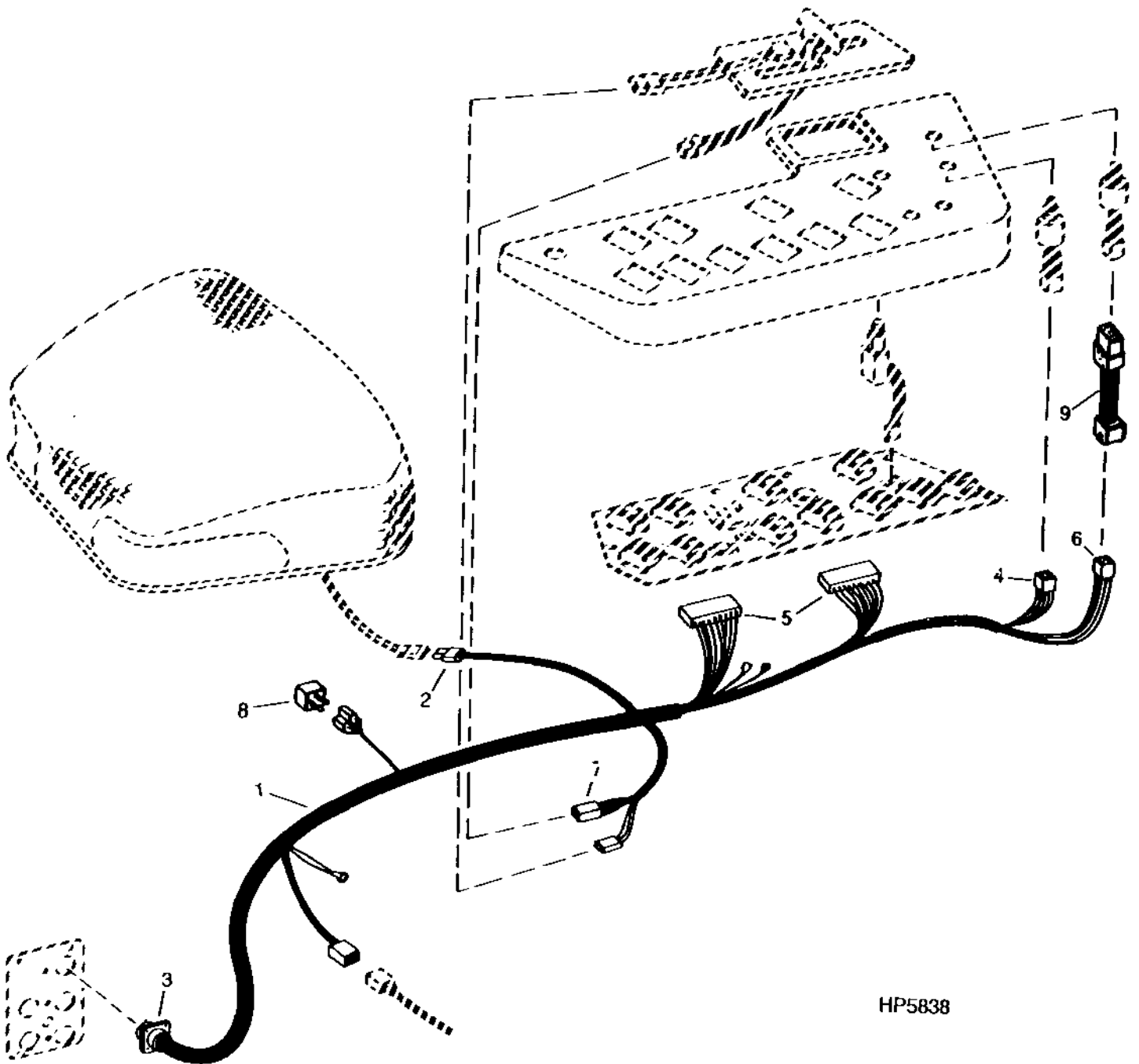


RGP4171

2B22

ELECTRICAL

ARMREST WIRING HARNESS
HP5838 -UN-15OCT94



HP5838

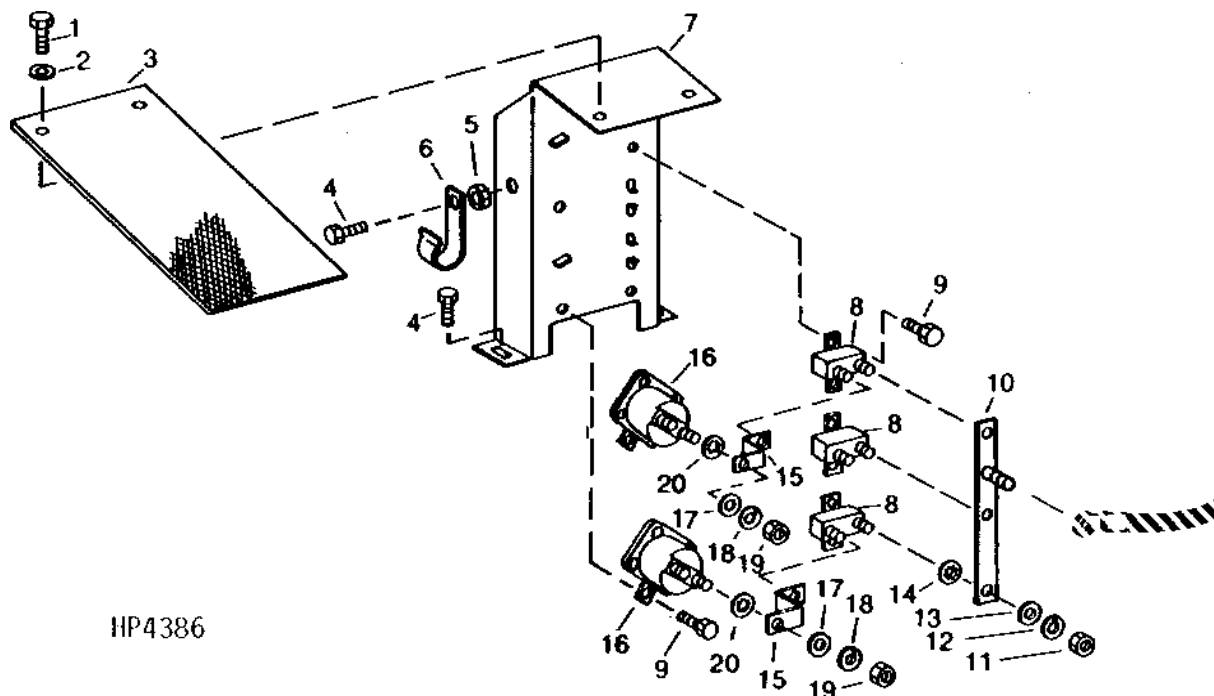
2E6

ELECTRICAL

CIRCUIT BREAKERS - ENGINE COMPARTMENT

(-660400)

HP4386 -UN-01JAN94



HP4386

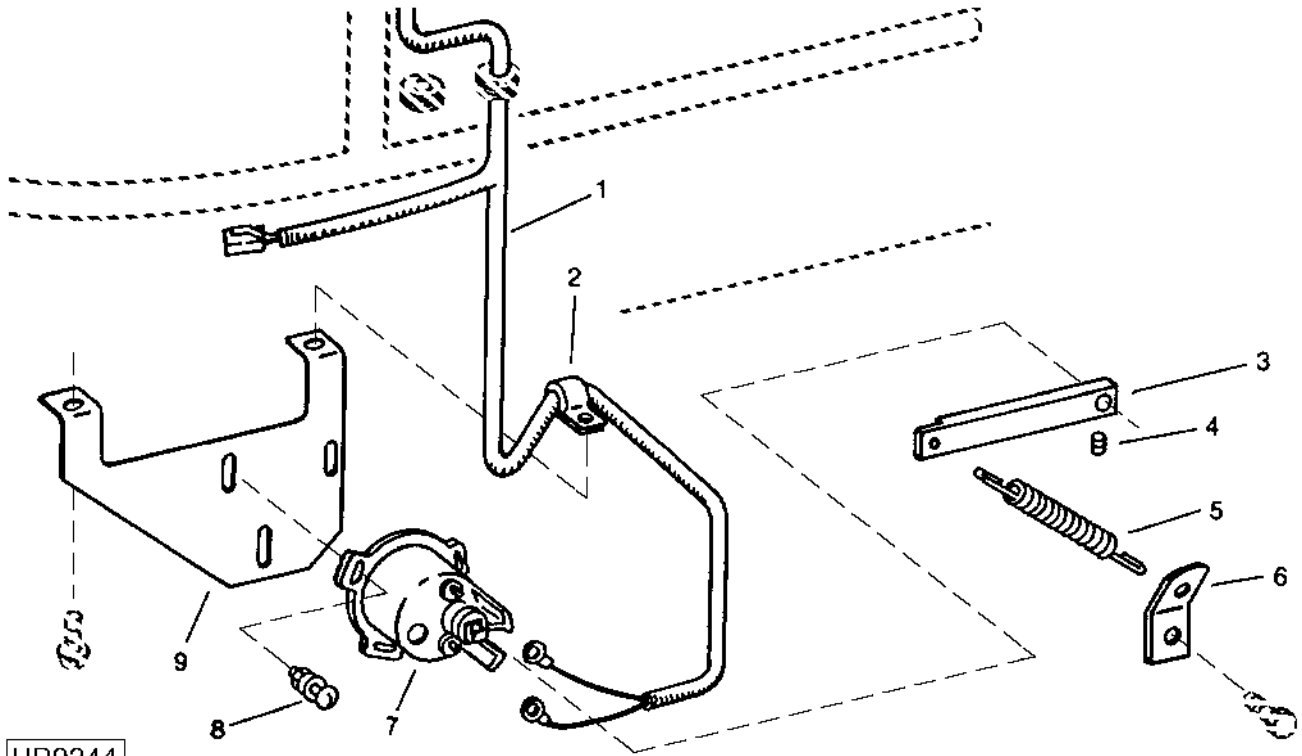
KEY	PART NO.	PART NAME	QTY	SERIAL NO.	REMARKS
1	19M7865	SCREW	2	-650400	M8 X 16
	H116740	PLUG	2	650401-	
2	24M7207	WASHER	2		8.400 X 24 X 2 MM
3	H150923	FLAP	1		(SUB FOR H135224, H149121 OR AH131071)
4	19M7865	SCREW	AR		M8 X 16
5	14M7298	FLANGE NUT	AR		M8
6	AH90990	CLIP	1		
7	H164348	PANEL	1		(SUB FOR H149120, H150922 OR AH131071)
	H116740	PLUG	1		(SUB FOR AH131071)
	H149121	FLAP	1		
8	AH112189	CIRCUIT BREAKER	3		
9	37H147	SCREW	10		
10	AH145031	STRAP	1		(SUB FOR AH120900)
11	14H631	NUT	AR		
12	12H246	LOCK WASHER	10		0.190"
13	24M7027	WASHER	10		5.300 X 10 X 1 MM
14	12M7112	LOCK WASHER	10	-660494	5.300 MM
	12M7060	WASHER	10	660495-	5.300 MM (0.209")
15	H125347	STRAP	2		
16	AR73144	RELAY	2		
17	24M7055	WASHER	AR		8.400 X 16 X 1.600 MM
18	12H303	LOCK WASHER	AR		5/16"
19	14H785	NUT	AR		5/16"
20	12M7032	LOCK WASHER	AR		8.400 MM, (SUB FOR 12M7122)

2F1

ELECTRICAL

STUBBLE HEIGHT SENSOR (EXPORT ONLY)

HP9344 -UN-24NOV99



HP9344

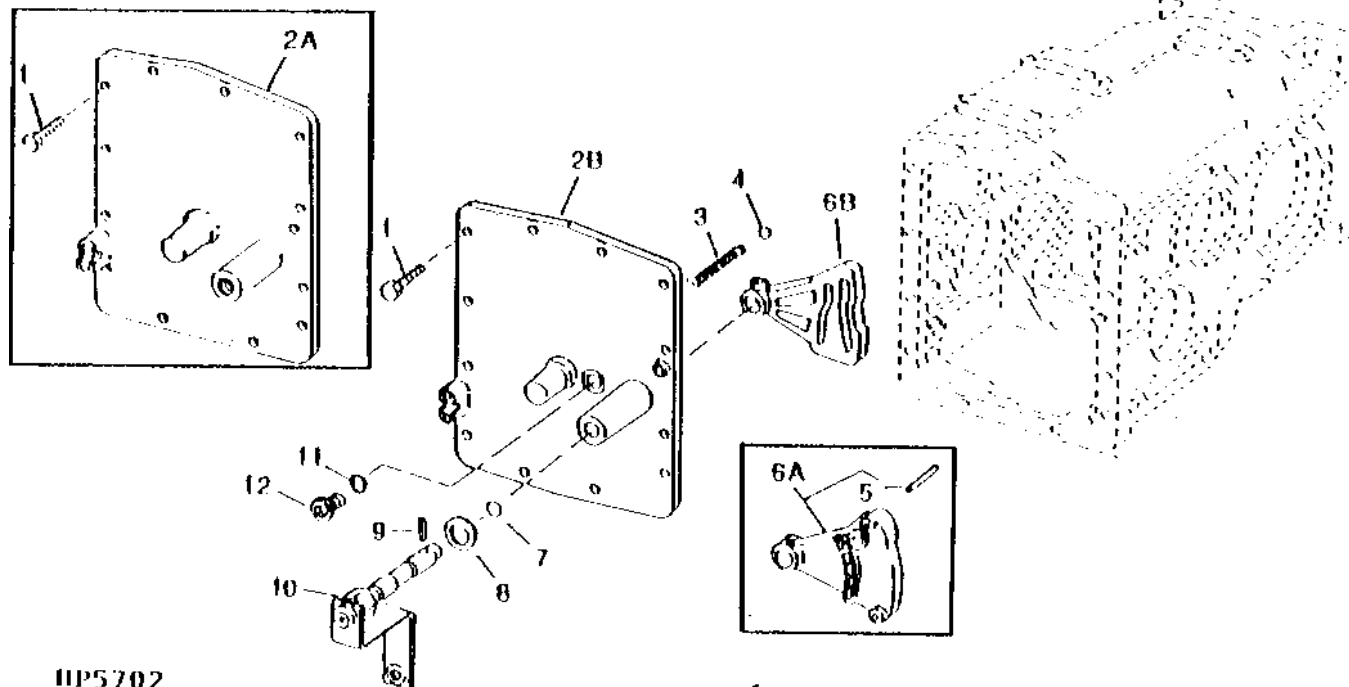
KEY	PART NO.	PART NAME	QTY	SERIAL NO.	REMARKS
1	AH137487	WIRING HARNESS	1		
2	AH89557	CLIP	1		
3	H140913	ARM	1		
4	22M7115	SET SCREW	1		M3 X 4
5	H140914	LEAF SPRING	1		
6	H140912	ANGLE	1		
7	AZ35028	SENDER	1		
8	21M7252	SCREW	3		M4 X 16
	14M7139	NUT	3		M4, (SUB FOR (3) 14M7100)
	24M7027	WASHER	3	660556-	5.300 X 10 X 1 MM
	12M7045	LOCK WASHER	3		4.300 MM
9	H144336	PLATE	1		

2G24

POWER TRAIN

TRANSMISSION AND DIFFERENTIAL HOUSING COVER, AND SHIFTER CAM

HP5702 -UN-01JAN94

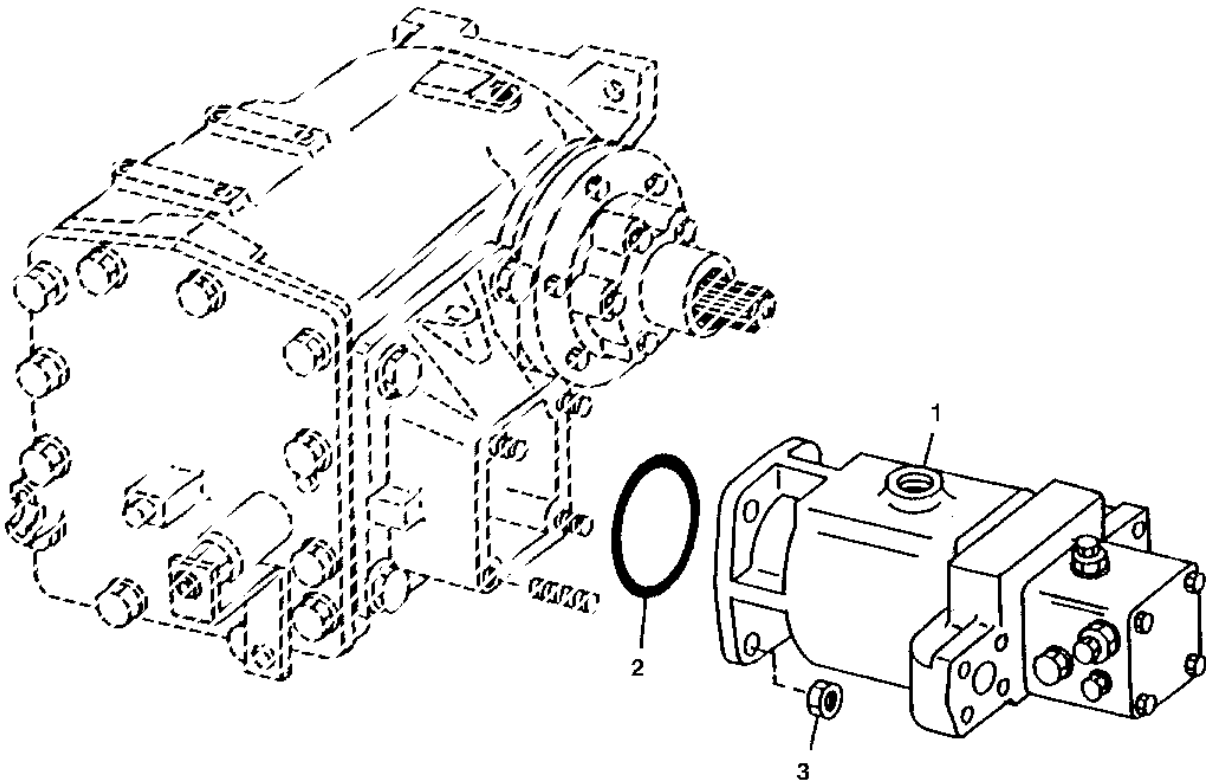


HP5702

KEY	PART NO.	PART NAME	QTY	SERIAL NO.	REMARKS
1	19M7786	SCREW	12		M10 X 30
2A	H137334	COVER	1		(SUB N199920, R26375 AND R33138)
2B	N199920	COVER	1		
3	T27888	SPRING	1		
4	R1818R	BALL	1		19.050 MM (3/4")
5	34M7038	SPRING PIN	2	-29SEP7	6 X 20 MM, WITH H137333 CAM ONLY
	25M3827	GROOVE PIN	2	29SEP7-	3 X 8 MM
6A	H137333	CAM	1		(SUB H136145)
6B	H136145	CAM	1		(SUB N274892)
7	R71144	O-RING	1		20.295 X 2.616 MM (0.799" X 0.103")
8	H75700	WASHER	1		25.806 X 44.298 X 3.404 MM (1-1/64" X 1.744" X 0.134")
9	34M7053	SPRING PIN	1		10 X 40 MM
10	AH128267	ARM	1		
11	R26375	O-RING	1		16.358 X 2.210 MM (0.644" X 0.087")
12	R33138	FITTING	1		

2J11

HYDROSTATIC DRIVE MOTOR
HP6551 -UN-23AUG96



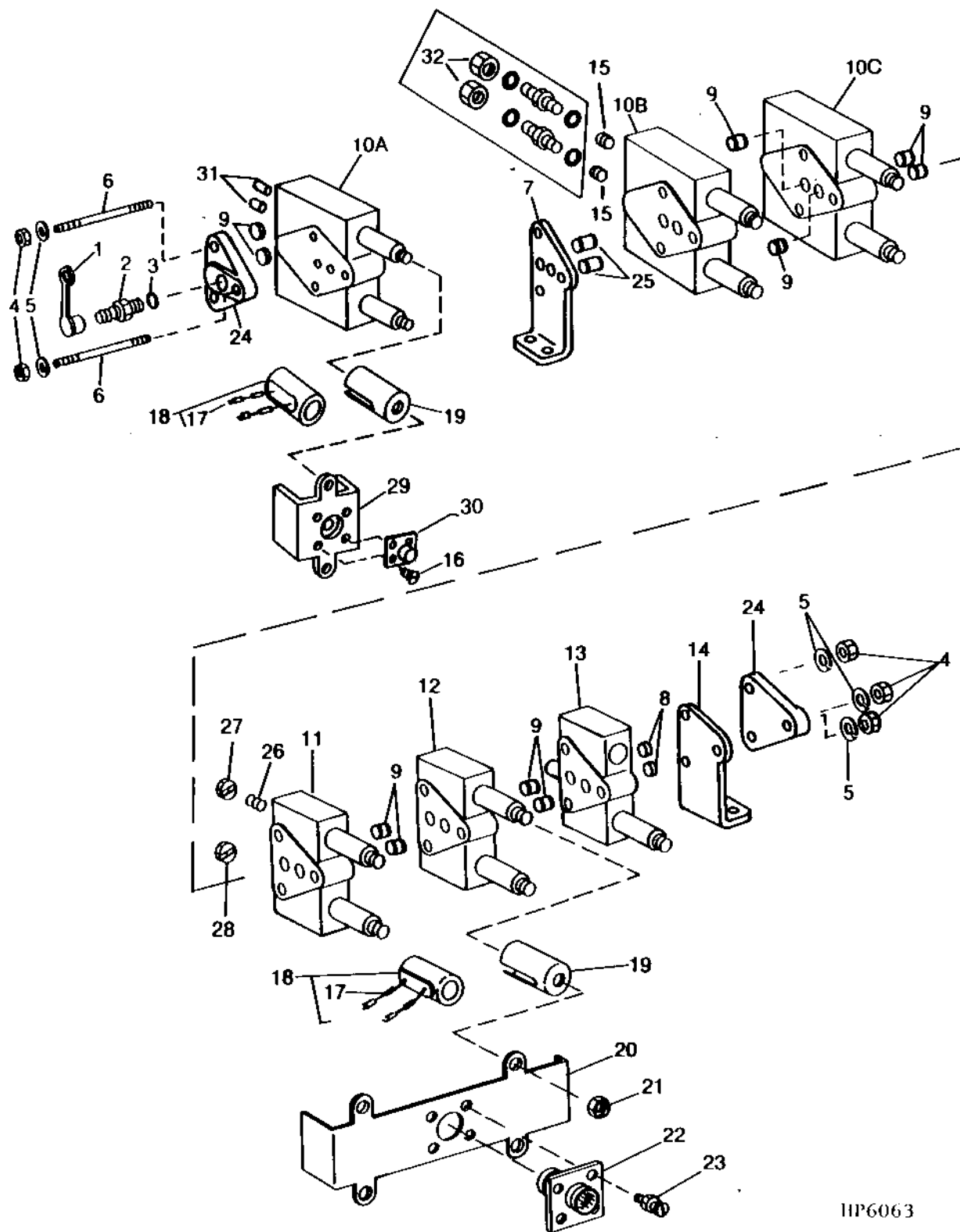
HP6551

3G1

HYDRAULICS

SIX STACK SOLENOID CONTROL VALVE MODULE ASSEMBLY AND MOUNTINGS

(660401-)
HP6063 -UN-27APR95

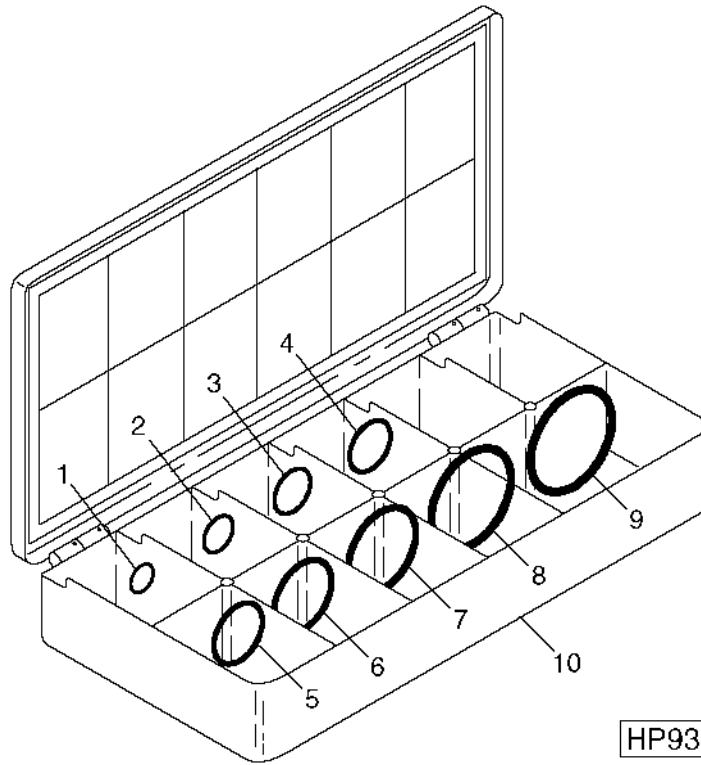


HP6063

3H6

HYDRAULICS

HYDRAULIC FLAT O-RING KIT HP9374 -UN-01DEC99



HP9374

KEY	PART NO.	PART NAME	QTY	SERIAL NO.	REMARKS
1	T77814	O-RING	10		7.645 X 1.778 MM (0.301" X 0.070") SIZE -4
2	T77613	O-RING	12		9.246 X 1.778 MM (0.364" X 0.070") SIZE -6
3	T77857	O-RING	12		12.421 X 1.778 MM (0.489" X 0.070") SIZE -8
4	T77932	O-RING	12		15.596 X 1.778 MM (0.614" X 0.070") SIZE -10
5	T77858	O-RING	12		18.771 X 1.778 MM (0.739" X 0.070") SIZE -12
6	T76938	O-RING	12		23.520 X 1.778 MM (0.926" X 0.070") SIZE -16
7	T78612	O-RING	5		29.870 X 1.778 MM (1.176" X 0.070") SIZE -20
8	T78784	O-RING	5		37.821 X 1.778 MM (1.489" X 0.070") SIZE -24
9	T78313	O-RING	6		32.918 X 3.531 MM (1.296" X 0.139")
10	AT85197	O-RING KIT	1		

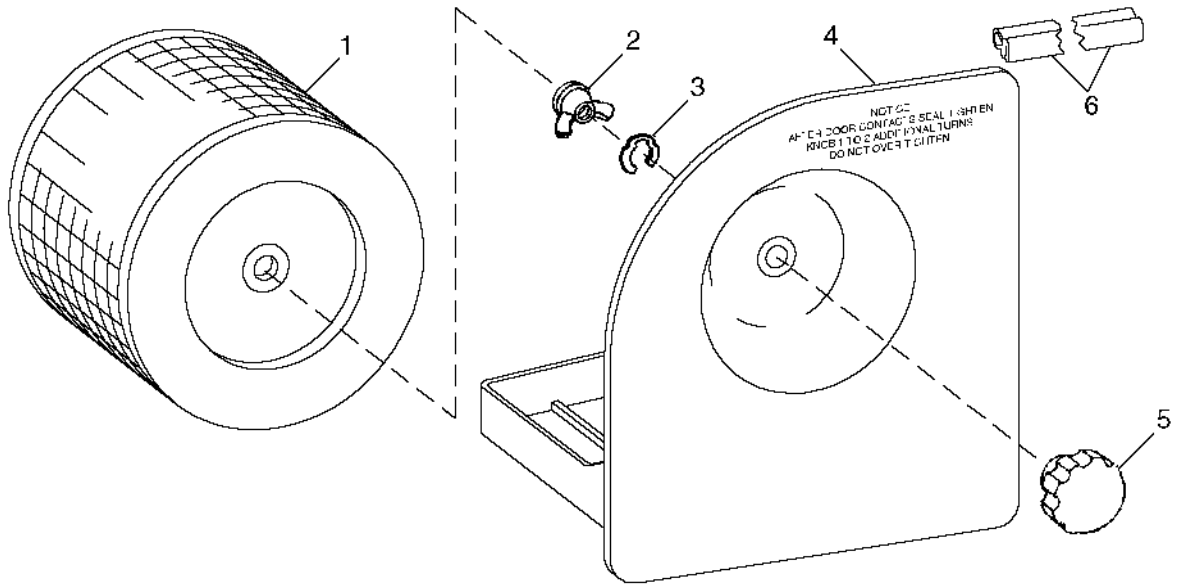
DRIVE SHIELD (R.H. REAR) - CONTINUED

KEY	PART NO.	PART NAME	QTY	SERIAL NO.	REMARKS
1	19M7866	SCREW	2		
2	H141813	BRACKET	1		
3	H130930	SPRING	1		
4A	AH123921	SHIELD	1		
4B	AH146361	SHIELD	1	3JAN96-	
5	19M7785	SCREW	3		M10 X 25
6	24M7028	WASHER	2		10.500 X 20 X 2 MM
7	14M7400	LOCK NUT	1		M10
8	14M7296	FLANGE NUT	1		M10
9	19M7298	CAP SCREW	2		M8 X 35
..	H147137	SHIELD	1	-670400	RUBBER SHIELD (FOR USE IN CORN) ALSO REQUIRES (7)19M7775, (7) 24M7207 AND (7) 14M7303
..	H147137	SHIELD	1	670401-	

4C15

OPERATOR'S STATION

CAB AIR FILTER AND HOUSING
HP8201 -UN-27JUL99



HP8201

KEY	PART NO.	PART NAME	QTY	SERIAL NO.	REMARKS
1	AH115833	AIR FILTER	1		
2	AH132783	NUT	1		
3	R58806	SNAP RING	1		
4	AH120419	DOOR	1		
5	AH120446	KNOB	1		
6	AH80335	WEATHERSTRIP	1		
..	H150119	LABEL	1	650525-	"CHECK PRECLEANER AND PRECLEANER OPENING IN FLOOR (50 HRS)"
..	H149398	MEDALLION	1		ITALIAN; ON CAB AIR FILTER DOOR
..	H149399	MEDALLION	1		ITALIAN; ON CAN AIR FILTER DOOR

4F20

FEEDER HOUSE

FIXED SPEED FEEDER HOUSE DRIVE TIGHTENER - CONTINUED

KEY	PART NO.	PART NAME	QTY	SERIAL NO.	REMARKS
1	03M7211	BOLT	2		M16 X 70
2	AH97340	ARM	1		
3	M2952DN	SPACER	2	-660400	16.662 X 25.400 X 11.125 MM (21/32" X 1" X 7/16") (SUB L1730N)
	L1730N	BUSHING	2		16.662 X 25.400 X 12.700 MM (21/32" X 1" X 1/2")
4	03M7248	BOLT	1		M12 X 90
5	H98655	BUSHING	2		
6	24H1413	WASHER	2		57/64" X 1-3/8" X 0.048"
7	H89297	BUSHING	1		
8	H132825	PIVOT	1		
9	24H1748	WASHER	1		1/2" X 1-1/4" X 0.105"
10	A31867	LOCK NUT	1		
11	AH94450	IDLER	2		
12	H126345	BELT	1		
13	14M7291	FLANGE NUT	2		M16
14	14M7275	NUT	2		M12
15	24H1789	WASHER	1		17/32" X 1-1/4" X 0.105"
16	A25695	SPRING	1		
17	H95499	GAUGE	1		
18	24H1748	WASHER	1		
19	24M7240	WASHER	2		13 X 25 X 3 MM
20	H126346	BOLT	1		
21	14M7299	FLANGE NUT	1		M12
22	AH139295	BRACKET	1		
23	19M7789	SCREW	2		M12 X 30
24	14M7299	FLANGE NUT	2		M12
25	H126371	BRACE	1		
26	H126370	REINFORCEMENT	1		
27	03M7198	BOLT	1		M12 X 30

5B23

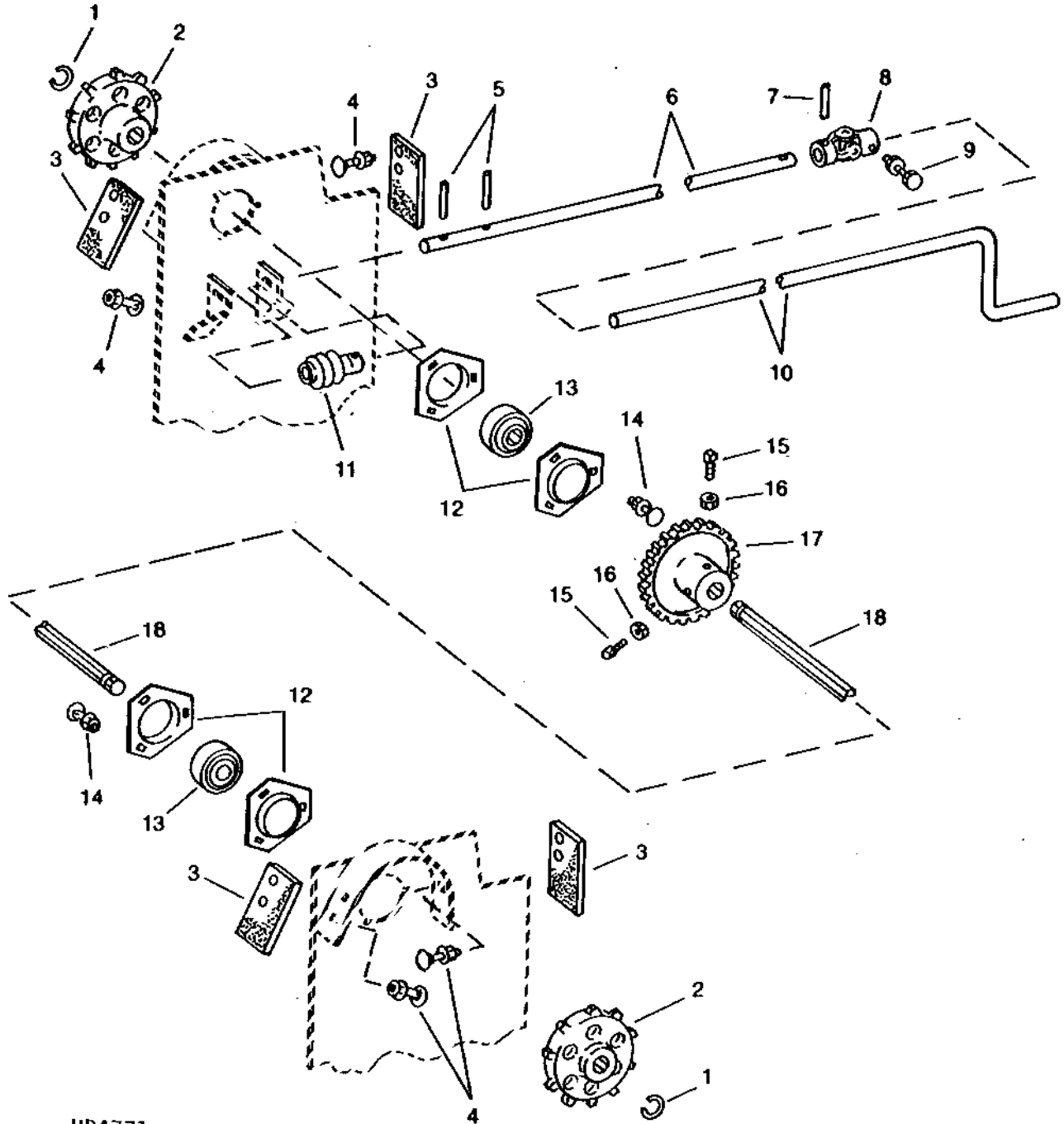
THRESHING AND SEPARATION

SPIKE TOOTH THRESHING CYLINDER - CONTINUED

KEY	PART NO.	PART NAME	QTY	SERIAL NO.	REMARKS
1	SHAFT KEY	2		(IN AH64587 KEY STOCK KIT) (CUT FROM H64376)
2	H140043	SHAFT	1		FOR DUAL RANGE
3	H99149	HOUSING	2		
4	12H304	LOCK WASHER	8		3/8"
5	19H1732	CAP SCREW	8		3/8" X 1-1/4"
6	JD10342	ECCENTRIC LOCKING COLLAR	2		
7	JD10343	BALL BEARING	2		
8	JD7845	ELBOW FITTING	2		
9	AH121009	HOSE	2		1/8" X 910 MM (35-3/4") X 1/8"
10	JD7759	LUBRICATION FITTING	2		
11	H132057	TOOTH	312		
12	12H301	LOCK WASHER	AR		1/2"
13	14H809	NUT	AR	-650400	1/2"
	14H1040	NUT	AR	650401-	1/2"
14	19H1820	CAP SCREW	2		1/2" X 3"
15	P5403H	TOOL	1		
16	AH134662	SPIKE-TOOTH CYLINDER	1		DUAL RANGE AND LOW SPEED DUAL RANGE. USE TO CONVERT TO SPIKE TOOTH, INCS. SPIKE TOOTH CYLINDER
..	BH80119	COMPLETE GOODS/SHIP. BUNDLE	1		RASP BAR TO SPIKE TOOTH CONVERSION

5E12

MODULE CRANK OUT SYSTEM
HP4771 -UN-01JAN94

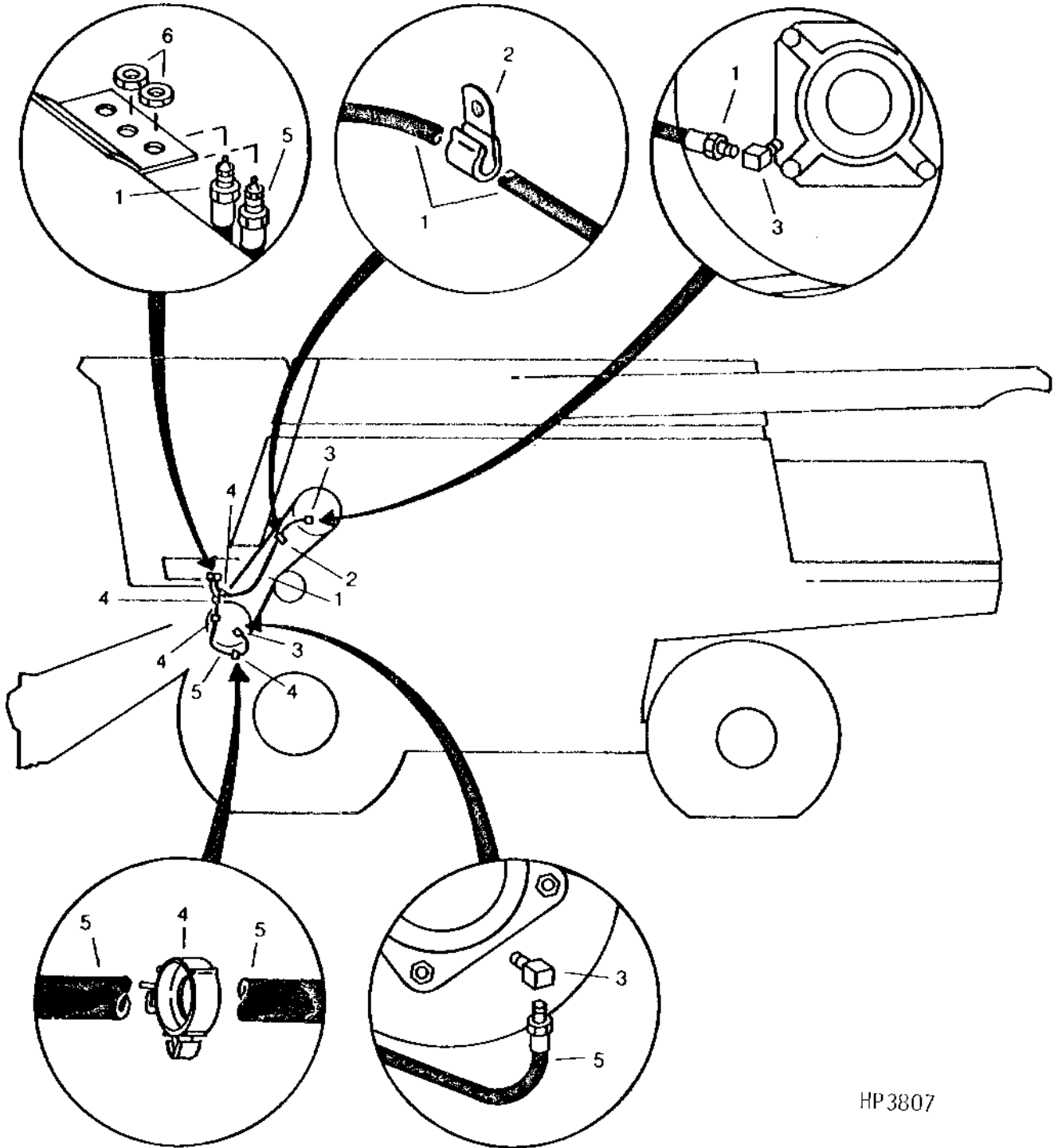


HP4771

6E18

RESIDUE DISPOSAL

LUBE HOSES L.H.
HP3807 -UN-01JAN94



HP3807