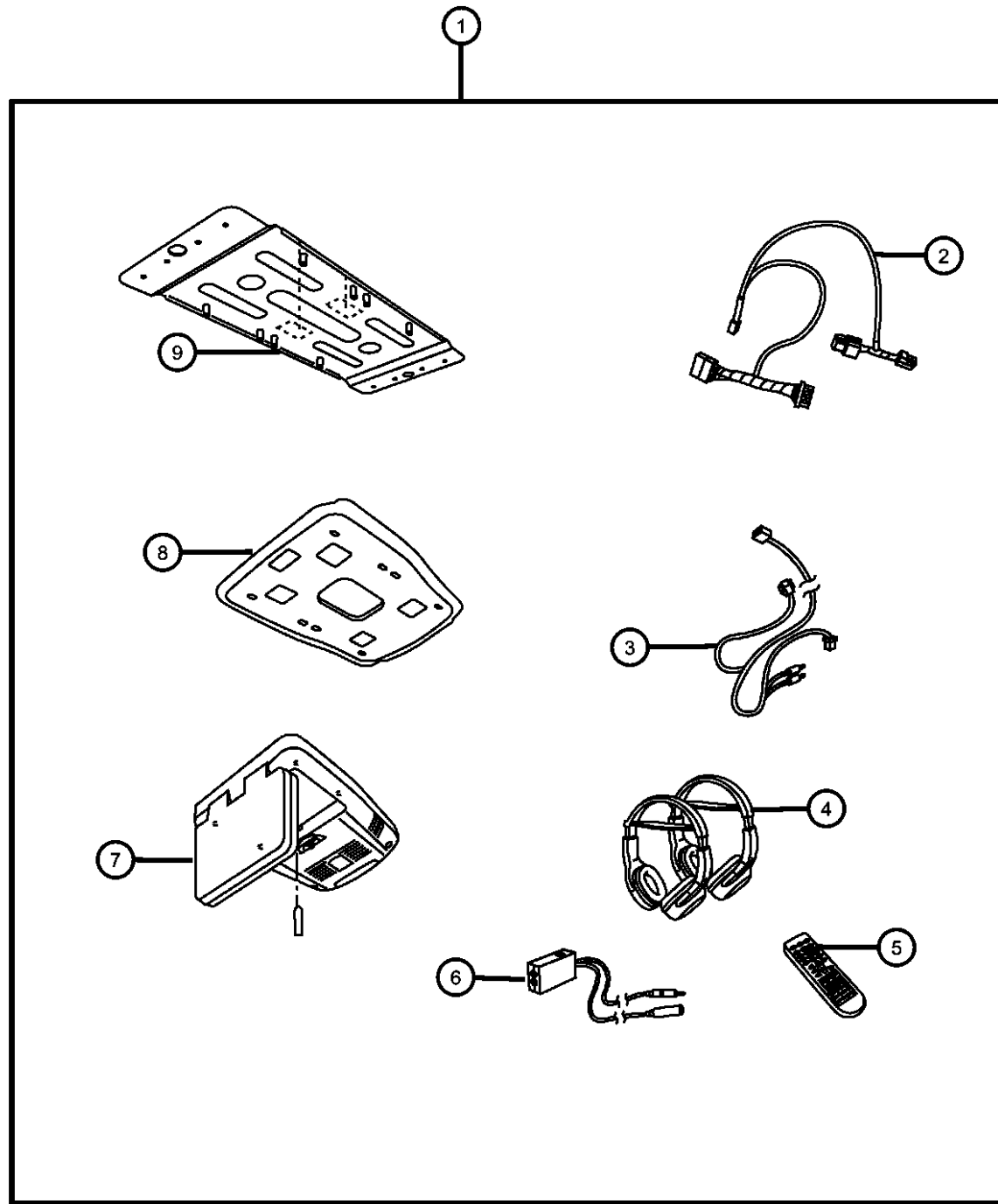


Video Entertainment System-Compass
Figure 1-110



ITEM	PART NUMBER	QTY	LINE	SERIES	BODY	ENGINE	TRANS	TRIM	DESCRIPTION
1	82210358	1			49				MEDIA SYSTEM, Monitor with DVD
2	05191900AA	1			49				HARNESS, Wiring
3	05166870AA	1			49				HARNESS, Wiring
4	05064037AA	1			49				HEADPHONES, Wireless
5	05166873AA	1			49				REMOTE, Wireless Infrared
6	05166872AA	1			49				MODULATOR, FM
7	05166869AA	1			49				MEDIA SYSTEM, Monitor with DVD
8	68001720AA	1			49				SHROUD, SHROUD
9	68001717AA	1			49				BRACKET, Mounting

COMPASS/PATRIOT (MK)

SERIES LINE
H = HIGHLINE J = JEEP - 4WD
L = LOWLINE T = JEEP - 2WD
P = PREMIUM

BODY
49 = HATCHBACK TYPE #2
74 = SPORT UTILITY 4-DR
TYPE #4

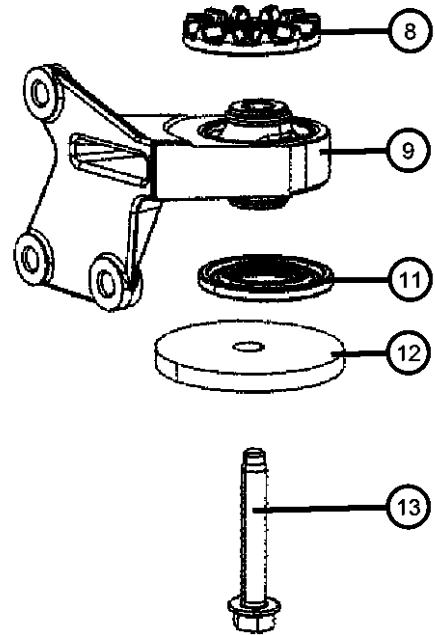
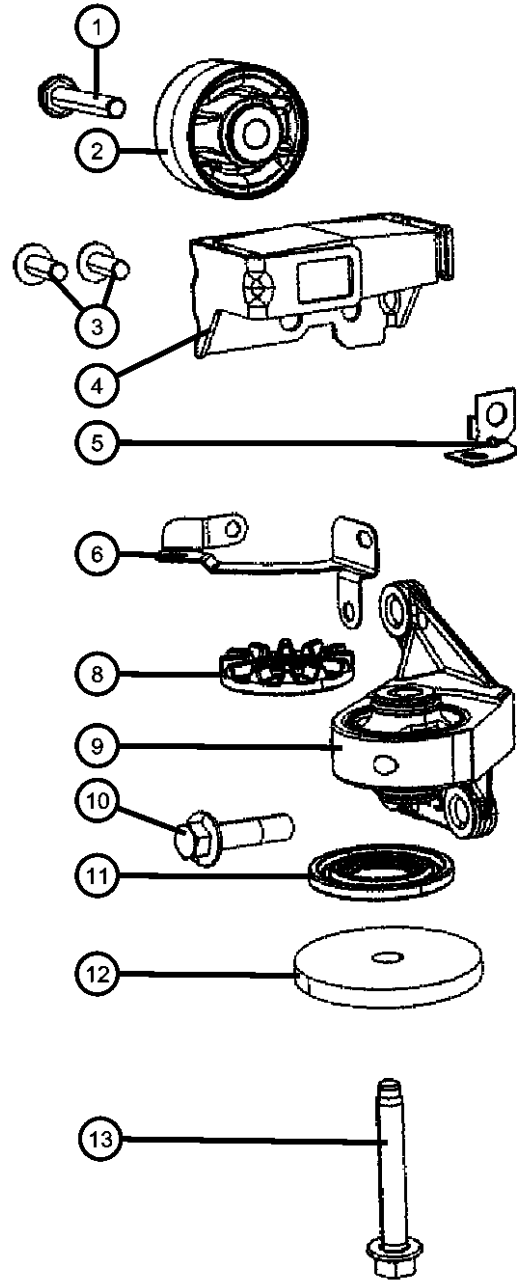
ENGINE
ED3 = 2.4L 4 Cyl DOHC 16V
Dual VVT Engine

TRANSMISSION
DD7 = 5-Speed Manual T355
Transmission
DEF = 6-Speed Manual Aisin BG6
Trans
DAV = Continuously Variable
Transmission
DAW = Cont.Var. w/Off-Rd Crawl
Ratio Trans

AR = use ase required - = Non illustrated part

2007 MK

Axle Mounts,Rear
Figure 3-120



ITEM	PART NUMBER	QTY	LINE	SERIES	BODY	ENGINE	TRANS	TRIM	DESCRIPTION
1	06104265AA	1	J, U		49, 74				SCREW, Rear Differential Isolator, Mounting
2	05105309AA	1	J, U		49, 74				ISOLATOR, Rear Differential-Mounting
3	06508185AA	2							BOLT, Damper to RDA, Mounting
4	05273464AA	1	J, U		49, 74				DAMPER, Axle
5	05273453AA	1	J, U		49, 74				BRACKET, Wiring
6	05105670AA	1	J, U		49, 74				BRACKET, Wiring
-7	05073824AA	2	J, U		49, 74				SCREW, Wiring Bracket, Mounting
8	05105529AA	2	J, U		49, 74				ISOLATOR, Rear DifferentialUpper
9									ISOLATOR AND BRACKET, Rear Differential
	05273442AA	1	J, U		49, 74				Front Right
	05273443AA	1	J, U		49, 74				Front Left
10									BOLT, Hex Head
	06508986AA	6	J, U		49				
		6	J, U		74				
11	05273448AA	2	J, U		49, 74				CUSHION, DifferentialUpper
12	05105833AB	2	J, U		49, 74				CUSHION, Differential, Weight, Lower
13	06105085AA	2	J, U		49, 74				BOLT, RDA Front Mount to Front Crossmember, Mounting

COMPASS/PATRIOT (MK)

SERIES LINE
H = HIGHLINE J = JEEP - 4WD
L = LOWLINE T = JEEP - 2WD
P = PREMIUM

BODY
49 = HATCHBACK TYPE #2
74 = SPORT UTILITY 4-DR TYPE #4

ENGINE
ED3 = 2.4L 4 Cyl DOHC 16V Dual VVT Engine

TRANSMISSION
DD7 = 5-Speed Manual T355 Transmission
DEF = 6-Speed Manual Aisin BG6 Trans
DAV = Continuously Variable Transmission
DAW = Cont.Var. w/Off-Rd Crawl Ratio Trans

AR = use ase required - = Non illustrated part

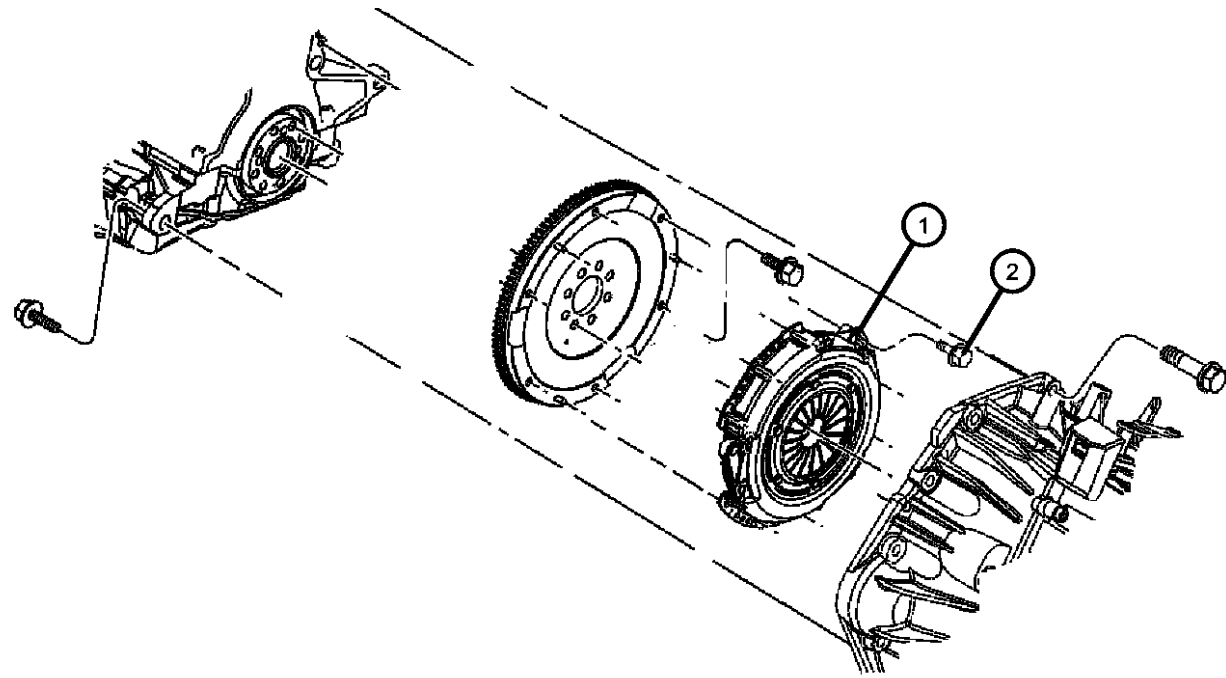
2007 MK

**Clutch Assembly,[DEF] Transmission
Figure 6-110**

ITEM	PART NUMBER	QTY	LINE	SERIES	BODY	ENGINE	TRANS	TRIM	DESCRIPTION
------	-------------	-----	------	--------	------	--------	-------	------	-------------

NOTE:Sales Codes:
[DEF]=6-Speed Manual Transmission

1	05106018AA	1				ECD	DEF		CLUTCH KIT, Pressure Plate and Disc
2	06508455AA	6				ECD	DEF		BOLT, Pressure Plate to Flywheel, Mounting



COMPASS/PATRIOT (MK)

SERIES LINE
H = HIGHLINE J = JEEP - 4WD
L = LOWLINE T = JEEP - 2WD
P = PREMIUM

BODY
49 = HATCHBACK TYPE #2
74 = SPORT UTILITY 4-DR
TYPE #4

ENGINE
ED3 = 2.4L 4 Cyl DOHC 16V
Dual VVT Engine

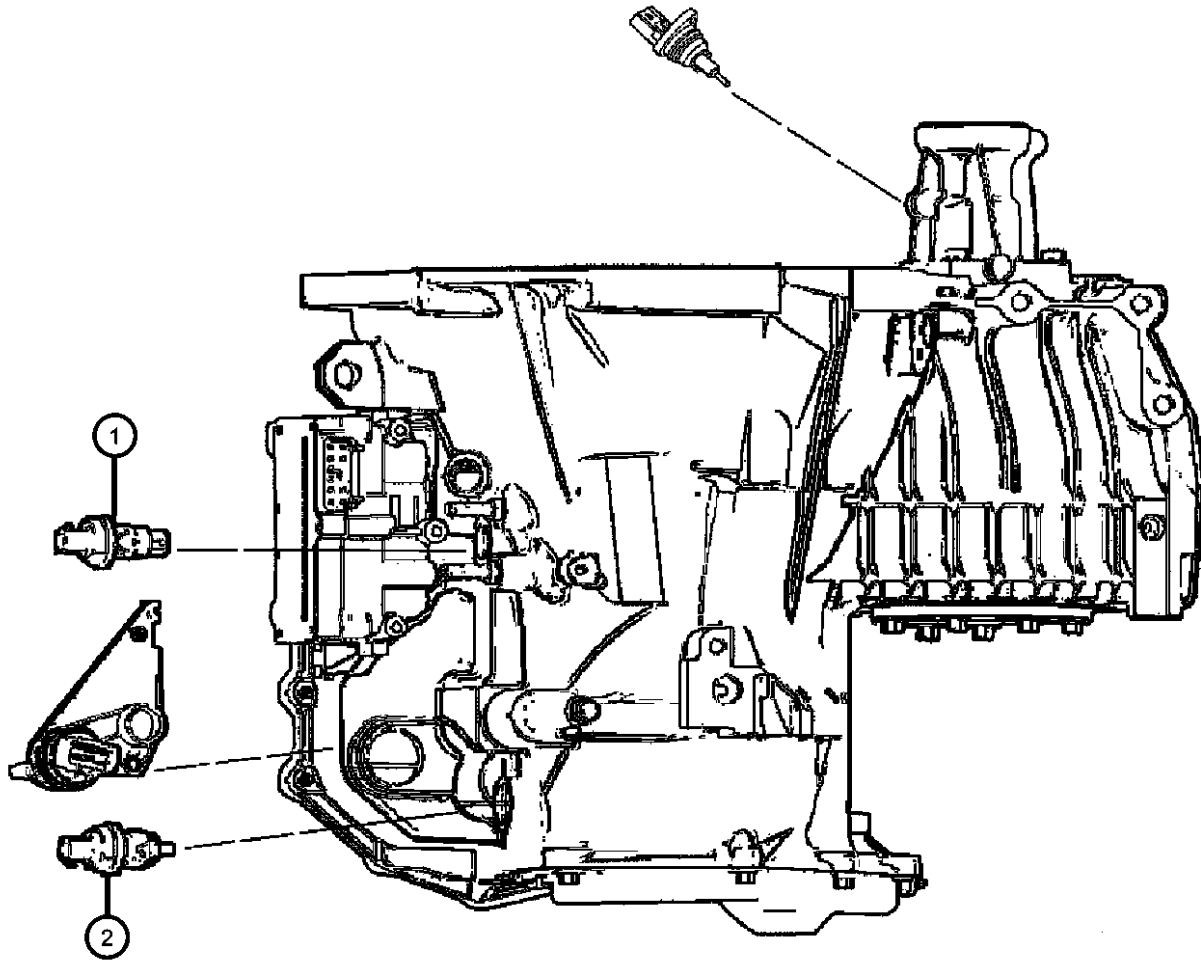
TRANSMISSION
DD7 = 5-Speed Manual T355
Transmission
DEF = 6-Speed Manual Aisin BG6
Trans
DAV = Continuously Variable
Transmission
DAW = Cont.Var. w/Off-Rd Crawl
Ratio Trans

AR = use ase required - = Non illustrated part

2007 MK

Sensors, Transmission
Figure 8-630

ITEM	PART NUMBER	QTY	LINE	SERIES	BODY	ENGINE	TRANS	TRIM	DESCRIPTION
1	05189841AA	1	J, T, U		49, 74	ED3	DAW		SENSOR, Primary revolution
2	05189840AA	1	J, T, U		49, 74	ED3	DAW		SENSOR, Secondary revolution



COMPASS/PATRIOT (MK)

SERIES LINE
H = HIGHLINE J = JEEP - 4WD
L = LOWLINE T = JEEP - 2WD
P = PREMIUM

BODY
49 = HATCHBACK TYPE #2
74 = SPORT UTILITY 4-DR
TYPE #4

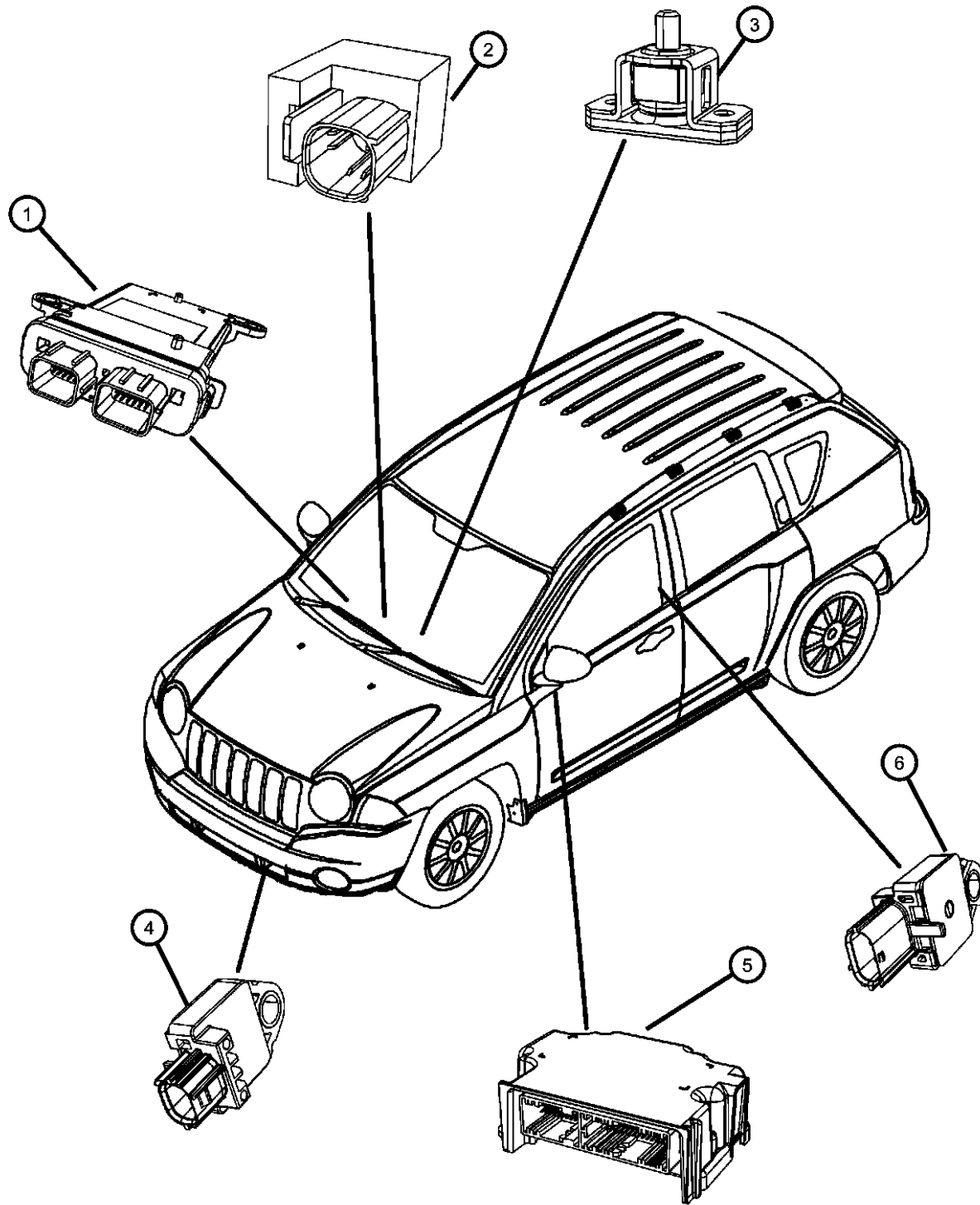
ENGINE
ED3 = 2.4L 4 Cyl DOHC 16V
Dual VVT Engine

TRANSMISSION
DD7 = 5-Speed Manual T355
Transmission
DEF = 6-Speed Manual Aisin BG6
Trans
DAW = Continuously Variable
Transmission
DAW = Cont.Var. w/Off-Rd Crawl
Ratio Trans

AR = use ase required - = Non illustrated part

2007 MK

Air Bag Modules and Sensors
Figure 8-1710



ITEM	PART NUMBER	QTY	LINE	SERIES	BODY	ENGINE	TRANS	TRIM	DESCRIPTION
1	04896027AD	1	J, T		49				MODULE, Occupant Classification [CFN]
	05084006AE	1							[CDH]
2	05084008AA	2	J, T		49, 74				SENSOR, Seat Position
	05084007AA	4							SENSOR, Strain Gauge
4	04896061AA	2	J, T, U		49, 74				SENSOR, Air Bag [CG1], Front
		2	J, T, U		49, 74				[CJ1,CJ4],
5	04672607AC	1							MODULE, Occupant Restraint [CJ4,CJ1]
	04672609AC	1							[CG1,CJ4,CJ1], Export
	04672610AB	1							[CG1], Export
	04672611AA	1	J, T, U		74				
	04672612AA	1	J, T, U		74				[CG1,CJ4,CJ1]
	04672613AA	1	J, T, U		74				[CG1,CJ4,CJ1], Export
	04672614AA	1	J, T, U		74				[CG1] Mexico
	04896618AA	1	J, T, U		49				[CG1,CJ4,CJ1]
		1	J		49				[CG1,CJ4,CJ1]
	04896619AA	1	J, T, U		49				[CG1,CJ4,CJ1], Export
	1	J		49				[CG1,CJ4,CJ1], Export	
	04896615AA	1	J, T, U		74				[CG1,CJ4], Export
6	04896065AA	2	J, T, U		49, 74				SENSOR, Side Airbag Impact, [CJ1,CJ4]
-7	06104629AA	2							SCREW, [M6X1.0X30.00], OCS Module to seat
-8	05097674AA	3							NUT, Hex, Occupant Restraint Module To Center Tunnel, Mounting

COMPASS/PATRIOT (MK)

SERIES LINE
H = HIGHLINE J = JEEP - 4WD
L = LOWLINE T = JEEP - 2WD
P = PREMIUM

BODY
49 = HATCHBACK TYPE #2
74 = SPORT UTILITY 4-DR TYPE #4

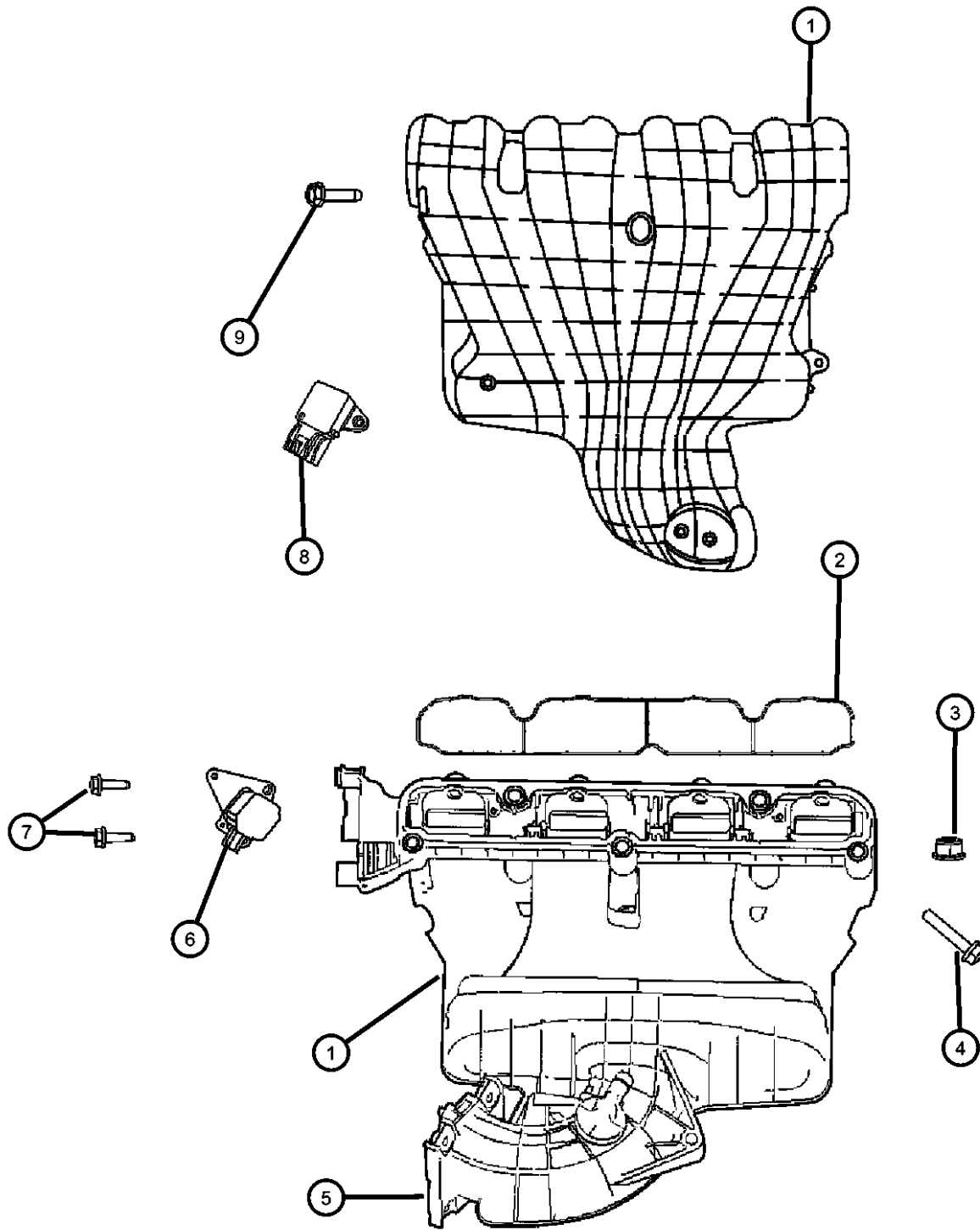
ENGINE
ED3 = 2.4L 4 Cyl DOHC 16V Dual VVT Engine

TRANSMISSION
DD7 = 5-Speed Manual T355 Transmission
DEF = 6-Speed Manual Aisin BG6 Trans
DAV = Continuously Variable Transmission
DAW = Cont.Var. w/Off-Rd Crawl Ratio Trans

AR = use ase required - = Non illustrated part

2007 MK

**Intake Manifold And Components 2.0L [ECN]
Figure 2.0L-810**



ITEM	PART NUMBER	QTY	LINE	SERIES	BODY	ENGINE	TRANS	TRIM	DESCRIPTION
1	04884495AD	1				ECN			MANIFOLD, Intake
2									GASKET, Intake Manifold
	04884550AB	1	J, T, U		49	ECN, ED3			
		1	J, T, U		74	ECN, ED3			
3	06104716AA	2				EBA, ECN, ED3			NUT, [M8X1.25], Intake Manifold To Cylinder Head, Mounting
4									BOLT, [M8X1.25X45.0]
	06104201AA	3	J, T, U		49	ECN, ED3			Intake Manifold To Cylinder Head, Mounting
		3	T, U, J		74	ECN, ED3			Intake Manifold To Cylinder Head, Mounting
		1	J, T, U		49	ECN, ED3			Intake Manifold Support Bracket To Engine Block, Mounting
		1	J, T, U		74	ECN, ED3			Intake Manifold Support Bracket To Engine Block, Mounting
5									BRACKET, Throttle Body Support
	04884871AA	1	J, T, U		49	ECN, ED3			
		1	J, T, U		74	ECN, ED3			
6									ACTUATOR, Flow Control Valve
	04884549AD	1	J, T, U		49	ECN, ED3			
		1	J, T, U		74	ECN, ED3			

NOTE:

Sales Codes:

- [DAV] = Continuously Variable Transmission
- [DEF] = 6-Speed Manual Aisin BG6 Transmission
- [DEK] = 6-Speed Manual Getrag DM76 Transmission
- [DE0] = All 6-Speed Manual Transmissions
- [DD0] = All 5-Speed Manual Transmissions
- [DD7] = 5-Speed Manual T355 Transmission
- [EBA] = 1.8L 4 Cylinder DOHC 16 Valve VVT Engine
- [ECD] = 2.0L 4 Cylinder DOHC Diesel 16 Valve Engine
- [ECN] = 2.0L 4 Cylinder DOHC 16 Valve VVT Engine
- [EC0] = All 2.0L 4 Cylinder Gas Engines
- [ED3] = 2.4L 4 Cylinder DOHC 16 Valve Dual VVT Engine
- [ED4] = 2.4L 4 Cylinder DOHC 16 Valve Turbo Engine
- [ED0] = All 2.4L 4 Cylinder Gas Engines
- [NAA] = Federal Emissions
- [NAE] = California Emissions
- [NAS] = 50 State Emissions
- [NA1] = Export Emissions

COMPASS/PATRIOT (MK)

SERIES LINE
 H = HIGHLINE J = JEEP - 4WD
 L = LOWLINE T = JEEP - 2WD
 P = PREMIUM

BODY
 49 = HATCHBACK TYPE #2
 74 = SPORT UTILITY 4-DR TYPE #4

ENGINE
 ED3 = 2.4L 4 Cyl DOHC 16V Dual VVT Engine

TRANSMISSION
 DD7 = 5-Speed Manual T355 Transmission
 DEF = 6-Speed Manual Aisin BG6 Trans
 DAV = Continuously Variable Transmission
 DAW = Cont.Var. w/Off-Rd Crawl Ratio Trans

AR = use ase required - = Non illustrated part

2007 MK

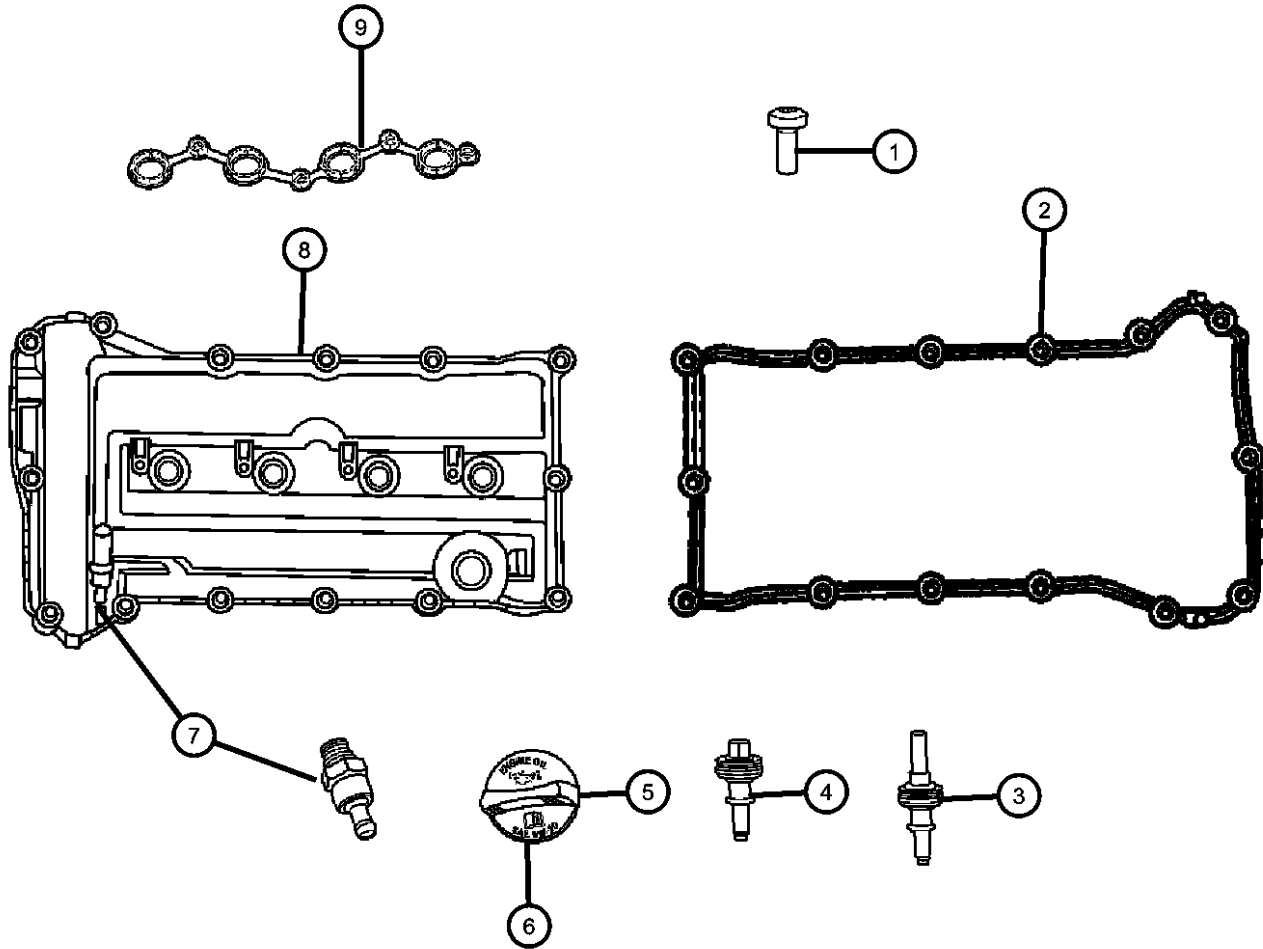
**Cylinder Head Cover And Components 2.4L [ED3]
Figure 2.4L-210**

ITEM	PART NUMBER	QTY	LINE	SERIES	BODY	ENGINE	TRANS	TRIM	DESCRIPTION
------	-------------	-----	------	--------	------	--------	-------	------	-------------

NOTE:

Sales Codes:

- [DAV] = Continuously Variable Transmission
- [DEF] = 6-Speed Manual Aisian BG6 Transmission
- [DE0] = All 6-Speed Manual Transmissions
- [DD0] = All 5-Speed Manual Transmissions
- [DD7] = 5-Speed Manual T355 Transmission
- [ECD] = 2.0L 4 Cylinder DOHC Diesel 16 Valve Engine
- [ED3] = 2.4L 4 Cylinder DOHC 16 Valve Dual VVT Engine
- [ED0] = All 2.4L 4 Cylinder Gas Engines
- [NAA] = Federal Emissions
- [NAE] = California Emisssions
- [NAS] = 50 States Emissions
- [NA1] = Export Emissions



1	06104142AA	4				ED3			SCREW, [M6X1.0X16.0], Ignition Coil To Cylinder Head Cover, Mounting
2	04884762AA	1				ED3			GASKET, Cylinder Cover
3	04884764AA	7				ED3			ISOLATOR, Cylinder Head Cover, Grommet And Bolt, [M6 X 1.0-6G]Mounting
4	04884763AA	11	J			ED3			ISOLATOR, Cylinder Head Cover, [M6 X 1.0-6G]Mounting
5	04884739AA	1				ED3			CAP, Oil Filler, Includes O-ring
6	68029299AA	1	J, T, U			ED3, ECN			O RING
		1	J, T, U			ECN, ED3			Oil Filler Cap [49]
		1	J, T, U			ECN, ED3			Oil Filler Cap [74]
7	05047002AA	1	J, T, U			ECN, ED3			VALVE, PCV
8	04884760AE	1	J, T, U			ED3			COVER, Cylinder Head
9	04884765AA	1				ED3			GASKET, Coil

COMPASS/PATRIOT (MK)

SERIES LINE
H = HIGHLINE J = JEEP - 4WD
L = LOWLINE T = JEEP - 2WD
P = PREMIUM

BODY
49 = HATCHBACK TYPE #2
74 = SPORT UTILITY 4-DR TYPE #4

ENGINE
ED3 = 2.4L 4 Cyl DOHC 16V Dual VVT Engine

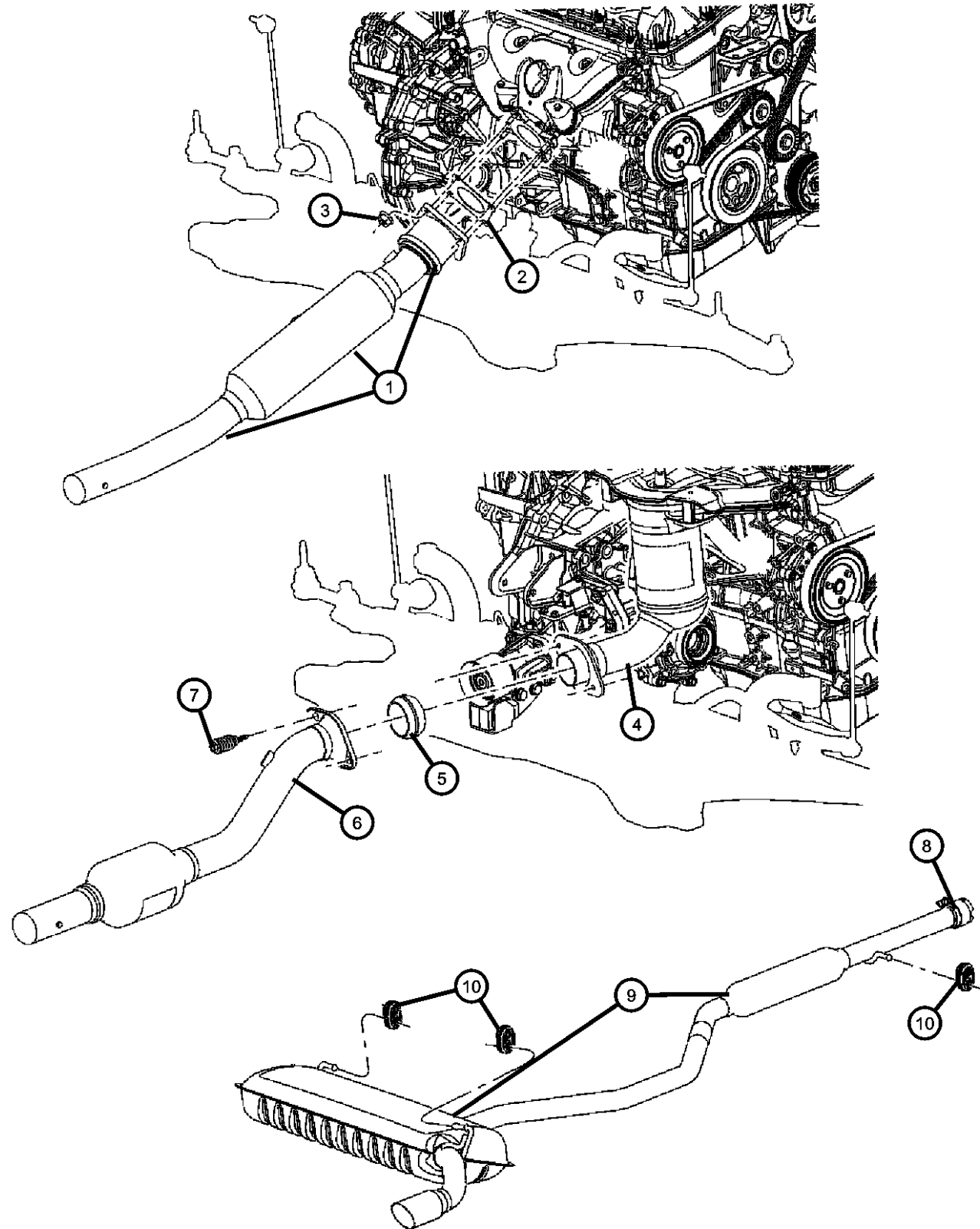
TRANSMISSION
DD7 = 5-Speed Manual T355 Transmission
DEF = 6-Speed Manual Aisin BG6 Trans
DAV = Continuously Variable Transmission
DAW = Cont.Var. w/Off-Rd Crawl Ratio Trans

AR = use ase required - = Non illustrated part

2007 MK

Exhaust System, 2.4L [ED3]

Figure 11-110



ITEM	PART NUMBER	QTY	LINE	SERIES	BODY	ENGINE	TRANS	TRIM	DESCRIPTION
------	-------------	-----	------	--------	------	--------	-------	------	-------------

Sales Codes:
 [ED3] = 2.4L 4 Cylinder DOHC 16 Valve Dual VVT

1	05105049AB	1	T		49, 74	ED3			CONVERTER, Catalytic, W/PIPES
2	04616671AB	1	T		49, 74	ED3			GASKET, Catalytic Converter, 4-BOLT GASKET AIRAMIDE
3	06104709AA	2				ED3			NUT, M8, FWD-CAT CONVERTER TO MANIFOLD
4	05105460AC	1				ED3			MANIFOLD, Exhaust and Catalytic Converter, Maniverter, 4WD ONLY
5	05105615AB	1				ED3			GASKET, Catalytic Converter, METEX JOINT SEAL
6	05105131AB	1				ED3			CONVERTER, Catalytic, 4WD-UNDERFLOOR
7	05105616AA	2				ED3			BOLT, Spring, 4WD-CATALYTIC CONV TO MANIVERTER
8	04695220AB	1				ED3			CLAMP, Exhaust, CONVERTER TO MUFFLER
9									MUFFLER AND TAILPIPE, Exhaust
	05105123AE	1	T		49, 74	ED3			FWD EXHAUST MODULE
	05105125AB	1				ED3			AWD EXHAUST MODULE
10									ISOLATOR, Exhaust
	05105110AB	2							MUFFLER TO BODY
		1							I-PIPE TO BODY

COMPASS/PATRIOT (MK)

SERIES LINE
 H = HIGHLINE J = JEEP - 4WD
 L = LOWLINE T = JEEP - 2WD
 P = PREMIUM

BODY
 49 = HATCHBACK TYPE #2
 74 = SPORT UTILITY 4-DR TYPE #4

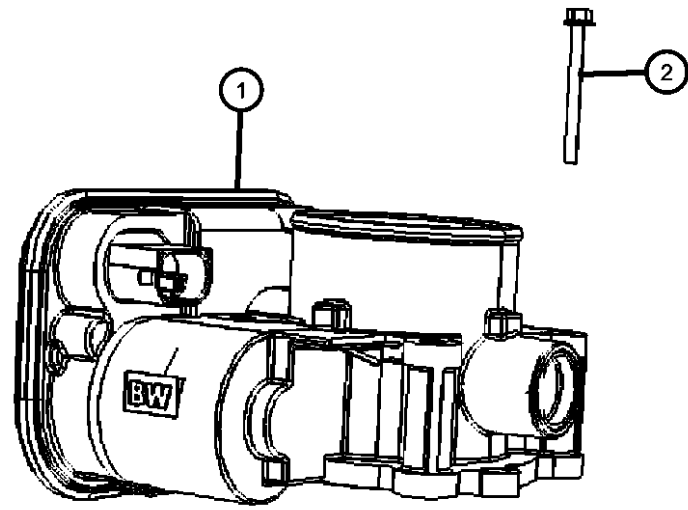
ENGINE
 ED3 = 2.4L 4 Cyl DOHC 16V Dual VVT Engine

TRANSMISSION
 DD7 = 5-Speed Manual T355 Transmission
 DEF = 6-Speed Manual Aisin BG6 Trans
 DAV = Continuously Variable Transmission
 DAW = Cont.Var. w/Off-Rd Crawl Ratio Trans

AR = use ase required - = Non illustrated part

Throttle Body
Figure 14-610

ITEM	PART NUMBER	QTY	LINE	SERIES	BODY	ENGINE	TRANS	TRIM	DESCRIPTION
1	04891735AC	1				ED3			THROTTLE BODY
	68001585AA	1	J, T, U		49, 74	ECD			
2	06104189AA	4				ED3			SCREW, Hex Flange Head, M6X1.0X60.0, THROTTLE BODY TO INTAKE MANIFOLD



COMPASS/PATRIOT (MK)

SERIES LINE
H = HIGHLINE J = JEEP - 4WD
L = LOWLINE T = JEEP - 2WD
P = PREMIUM

BODY
49 = HATCHBACK TYPE #2
74 = SPORT UTILITY 4-DR TYPE #4

ENGINE
ED3 = 2.4L 4 Cyl DOHC 16V Dual VVT Engine

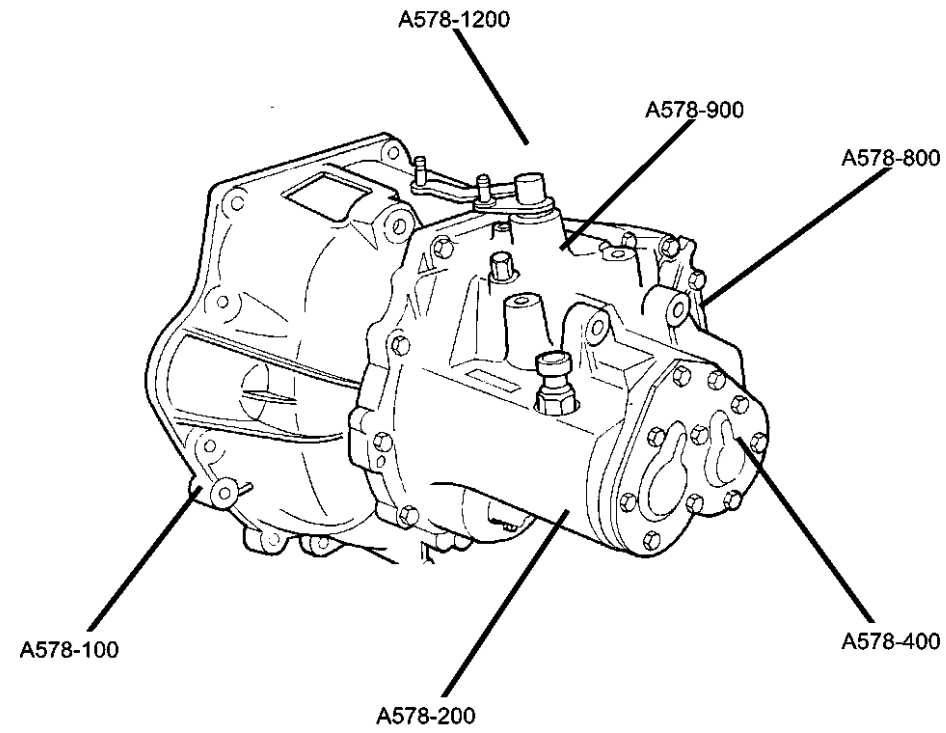
TRANSMISSION
DD7 = 5-Speed Manual T355 Transmission
DEF = 6-Speed Manual Aisin BG6 Trans
DAV = Continuously Variable Transmission
DAW = Cont.Var. w/Off-Rd Crawl Ratio Trans

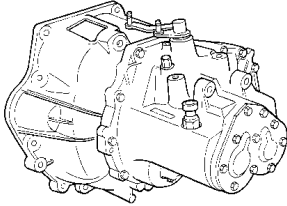
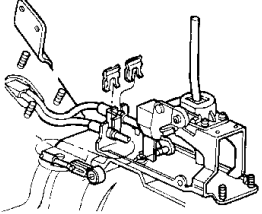
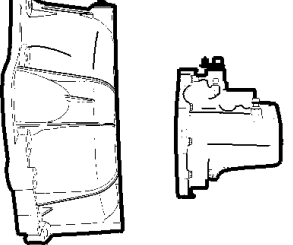
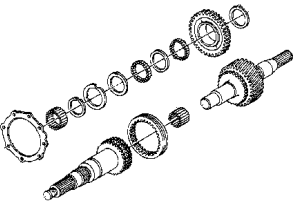
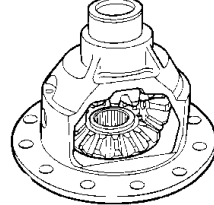
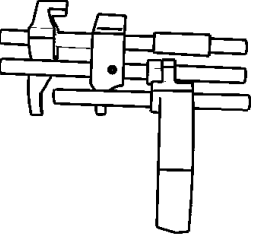
AR = use ase required - = Non illustrated part

2007 MK

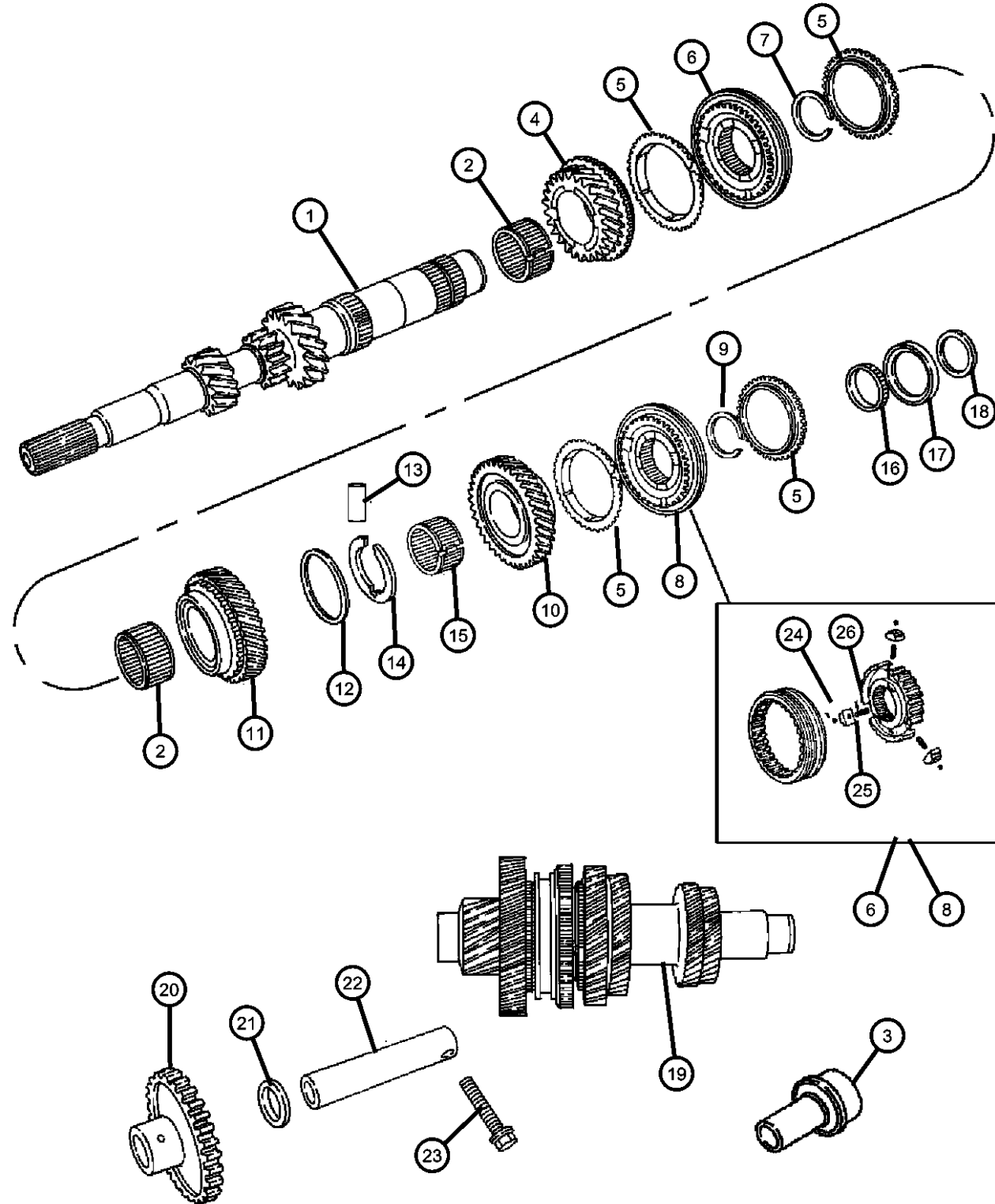
Group - BG6

Aisin Manual Transaxle 6 Speed



<p>BG6-100 Transaxle Assembly</p> 	<p>BG6-1200 Gearshift Controls</p> 	<p>BG6-200 Case and Extension</p> 	<p>BG6-400 Gear Train</p> 
<p>BG6-800 Differential</p> 	<p>BG6-900 Fork and Rails</p> 		

**Geartrain
Figure T355-410**



ITEM	PART NUMBER	QTY	LINE	SERIES	BODY	ENGINE	TRANS	TRIM	DESCRIPTION
22	04761126	1	J, U			ED3	DD7		IDLER SHAFT, Transmission
		1	T			ED3	DD7		
23	06100299	16	J, U			ED3	DD7		BOLT AND CONED WASHER, Hex Head, M8x45x17
		16	T			ED3	DD7		
24		16							BALL, Pivot, Serviced in Assembly, (NOT SERVICED)
25		16							KEY, Synchronizer, Serviced in Assembly, (NOT SERVICED)
26		16							SPRING, Synchronizer, Serviced in Assembly, (NOT SERVICED)

COMPASS/PATRIOT (MK)

SERIES LINE
H = HIGHLINE J = JEEP - 4WD
L = LOWLINE T = JEEP - 2WD
P = PREMIUM

BODY
49 = HATCHBACK TYPE #2
74 = SPORT UTILITY 4-DR TYPE #4

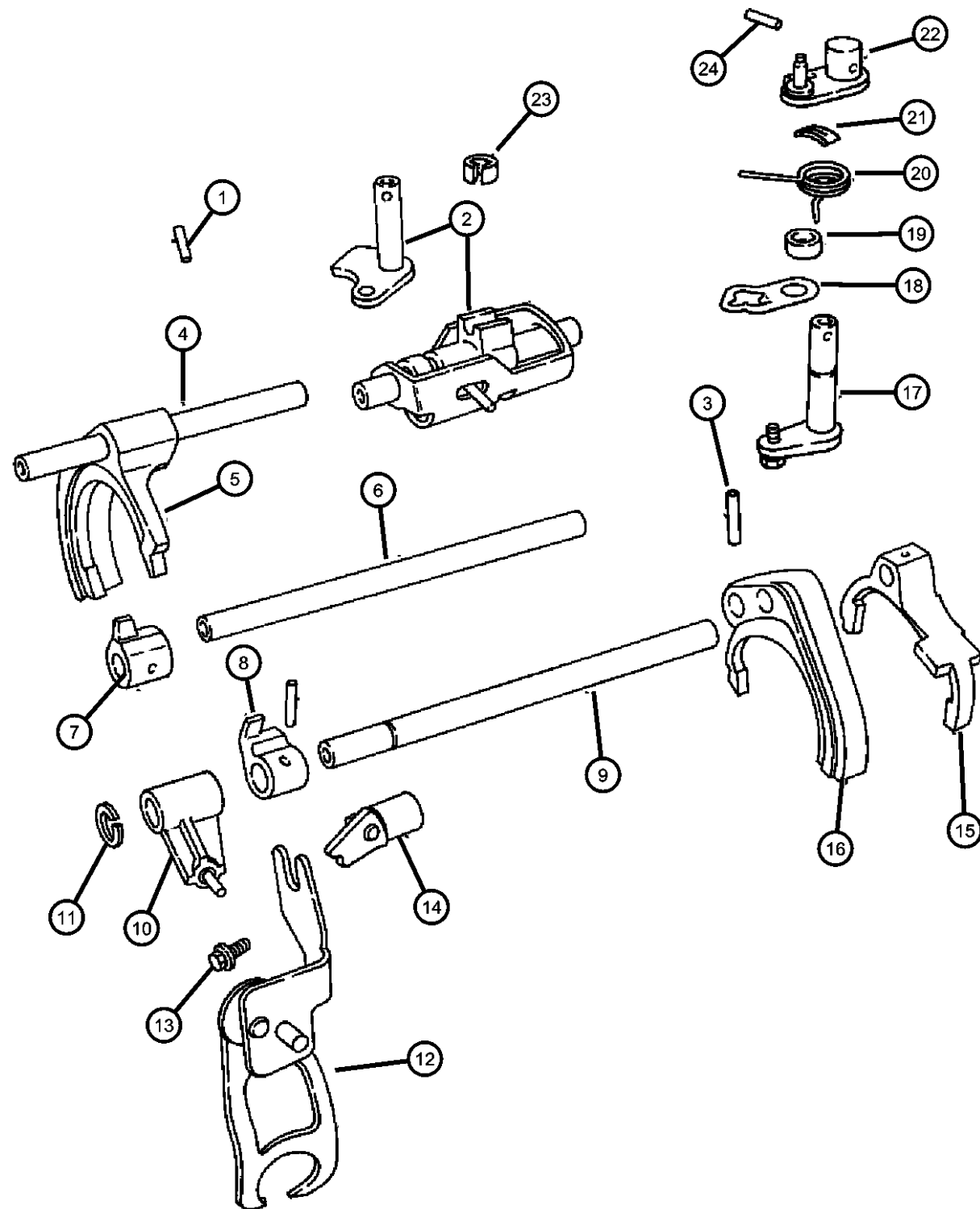
ENGINE
ED3 = 2.4L 4 Cyl DOHC 16V Dual VVT Engine

TRANSMISSION
DD7 = 5-Speed Manual T355 Transmission
DEF = 6-Speed Manual Aisin BG6 Trans
DAV = Continuously Variable Transmission
DAW = Cont.Var. w/Off-Rd Crawl Ratio Trans

AR = use ase required - = Non illustrated part

2007 MK

Fork & Rails
Figure T355-910



ITEM	PART NUMBER	QTY	LINE	SERIES	BODY	ENGINE	TRANS	TRIM	DESCRIPTION
11	06501862	1	J, U			ED3	DD7		SNAP RING
		1	T			ED3	DD7		
12	04761152	1	J, U			ED3	DD7		BRACKET, Reverse Shift Rod
		1	T			ED3	DD7		
13	04761153	2	J, U			ED3	DD7		SCREW, Reverse Bracket
		2	T			ED3	DD7		
14	04761154	1	J, U			ED3	DD7		CAM, Reverse Block
		1	T			ED3	DD7		
15	05191024AA	1	J, U			ED3	DD7		FORK, Fifth and Reverse
		1	T			ED3	DD7		
16	04761179	1	J, U			ED3	DD7		LUG, Third and Fourth Shift Includes:[3-4] Fork
		1	T			ED3	DD7		Includes:[3-4] Fork
17	04761147	1	J, U			ED3	DD7		LEVER, Crossover
		1	T			ED3	DD7		
18	04761148	1	J, U			ED3	DD7		PLATE, Crossover Stop
		1	T			ED3	DD7		
19	04761151	1	J, U			ED3	DD7		SPACER, Inner Crossover Lever
		1	T			ED3	DD7		
20	04761149	1	J, U			ED3	DD7		SPRING, Crossover Lever
		1	T			ED3	DD7		
21	04761150	1	J, U			ED3	DD7		RETAINER, Spring

COMPASS/PATRIOT (MK)

SERIES LINE
H = HIGHLINE J = JEEP - 4WD
L = LOWLINE T = JEEP - 2WD
P = PREMIUM

BODY
49 = HATCHBACK TYPE #2
74 = SPORT UTILITY 4-DR TYPE #4

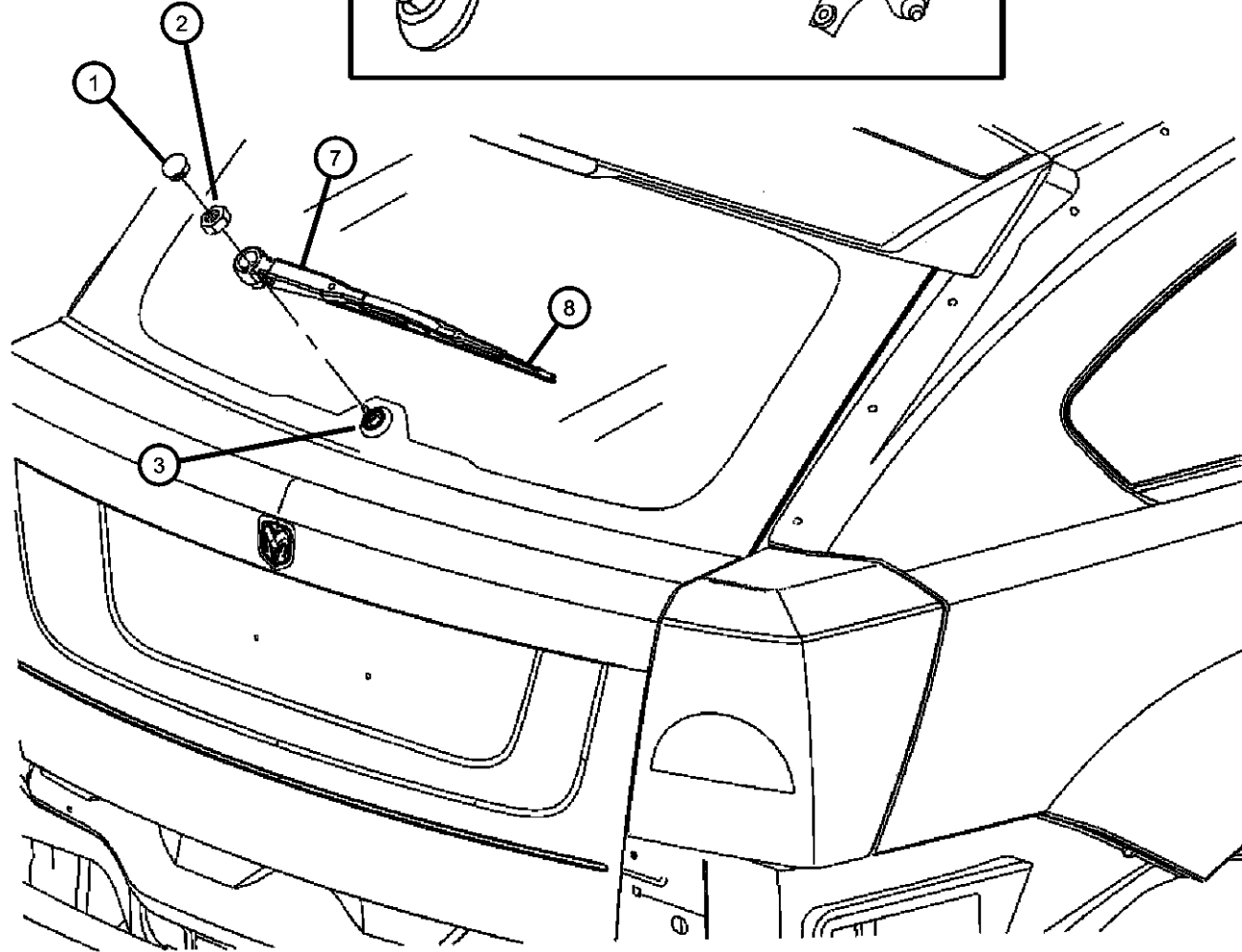
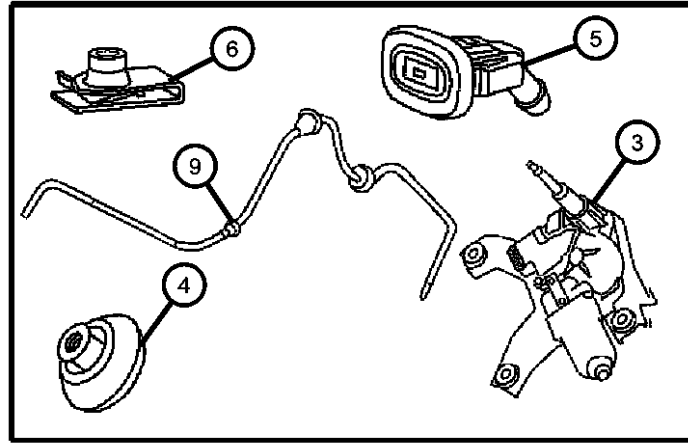
ENGINE
ED3 = 2.4L 4 Cyl DOHC 16V Dual VVT Engine

TRANSMISSION
DD7 = 5-Speed Manual T355 Transmission
DEF = 6-Speed Manual Aisin BG6 Trans
DAV = Continuously Variable Transmission
DAW = Cont.Var. w/Off-Rd Crawl Ratio Trans

AR = use ase required - = Non illustrated part

2007 MK

Rear Wiper
Figure 23D-220



ITEM	PART NUMBER	QTY	LINE	SERIES	BODY	ENGINE	TRANS	TRIM	DESCRIPTION
1	05303788AA	1	J, T, U		49, 74				CAP, Wiper Arm Nut
2	05097674AA	1							NUT, Hex
3	05116146AC	1							MOTOR, Liftgate Wiper
4	05116200AA	1							GROMMET, Rear Wiper Motor
5	05303841AA	1	J, T, U		49				NOZZLE, Liftgate Washer
6	06506035AA	2							NUT, U, M6x1
7									ARM, Rear Wiper
	05183275AA	1							
	68003728AA	1	T, J, U		74				
8									BLADE, Rear Wiper
	05183276AA	1							
	WBRW0011AB								Mopar V-Line Alternative Part
	68003723AA	1	J, T, U		74				
9	05303839AE	1	T, U, J		49				HOSE ASSY, Rear WINDOW WIPER WASHER

COMPASS/PATRIOT (MK)

SERIES LINE
H = HIGHLINE J = JEEP - 4WD
L = LOWLINE T = JEEP - 2WD
P = PREMIUM

BODY
49 = HATCHBACK TYPE #2
74 = SPORT UTILITY 4-DR TYPE #4

ENGINE
ED3 = 2.4L 4 Cyl DOHC 16V Dual VVT Engine

TRANSMISSION
DD7 = 5-Speed Manual T355 Transmission
DEF = 6-Speed Manual Aisin BG6 Trans
DAV = Continuously Variable Transmission
DAW = Cont.Var. w/Off-Rd Crawl Ratio Trans

AR = use ase required - = Non illustrated part

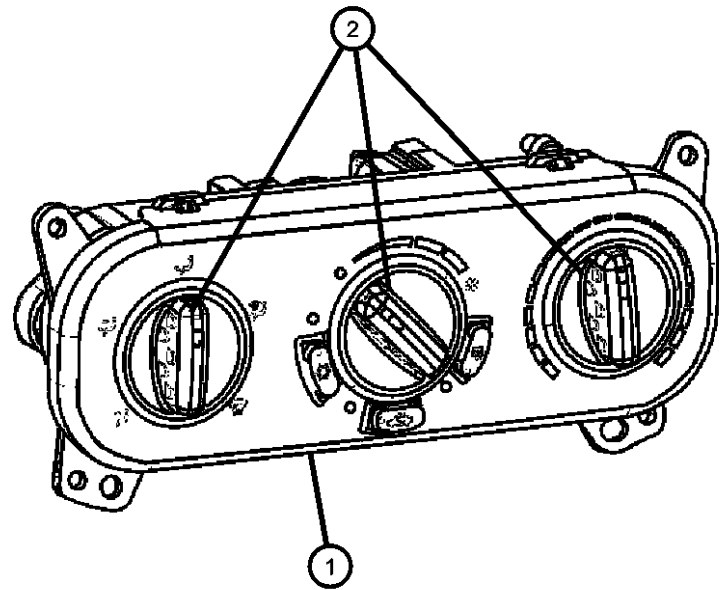
2007 MK

**Air Conditioning Control
Figure 24-320**

ITEM	PART NUMBER	QTY	LINE	SERIES	BODY	ENGINE	TRANS	TRIM	DESCRIPTION
------	-------------	-----	------	--------	------	--------	-------	------	-------------

Sales Code:
[HAA] = Heater and Air Conditioning

1									CONTROL, A/C And Heater
	05058299AD	1	J, T, U		49				[HAA] Up-To 11-14-06 Silver Knobs
	05058307AD	1	J, T, U		74				[HAA] Up-To 11-14-06 Silver Knobs
	55111874AA	1	J, T, U		49, 74				[HAA] After 11-14-06 Black Knobs
2	55111874AA	1							KNOB, Heater Control, Only Serviced in Control, (NOT SERVICED),
-3	06101946	4							SCREW, Tapping/A/C Control Mounting



COMPASS/PATRIOT (MK)

SERIES LINE
H = HIGHLINE J = JEEP - 4WD
L = LOWLINE T = JEEP - 2WD
P = PREMIUM

BODY
49 = HATCHBACK TYPE #2
74 = SPORT UTILITY 4-DR TYPE #4

ENGINE
ED3 = 2.4L 4 Cyl DOHC 16V Dual VVT Engine

TRANSMISSION
DD7 = 5-Speed Manual T355 Transmission
DEF = 6-Speed Manual Aisin BG6 Trans
DAV = Continuously Variable Transmission
DAW = Cont.Var. w/Off-Rd Crawl Ratio Trans

AR = use ase required - = Non illustrated part

2007 MK

Group - EMK

Exterior Ornamentation

Group - EMK Exterior Ornamentation

Illustration Title

Group-Fig. No.

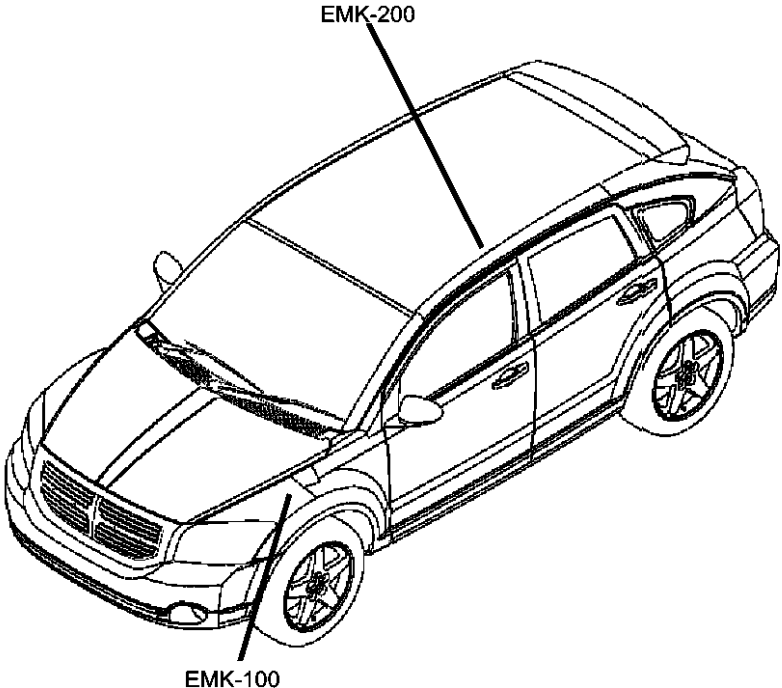
Nameplates


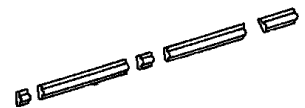
Nameplates-Decals Fig. EMK - 110

Moldings and Ornamentation

Moldings - 49 Fig. EMK - 210

Moldings - 74 Fig. EMK - 220



<p>EMK-100 Nameplates</p> 	<p>EMK-200 Moldings and Ornamentation</p> 		
--	--	--	--