

PARTS CATALOG GUIDE

POSITION 10	MODEL YEAR
L = 1990	V = 1997
J = 1988	W = 1998
K = 1989	X = 1999
L = 1990	Y = 2000
M = 1991	1 = 2001
N = 1992	2 = 2002
P = 1993	3 = 2003
R = 1994	4 = 2004
S = 1995	5 = 2005
T = 1996	6 = 2006

POSITION 11 PRODUCTION PLANT

A = CONWAY, ARKANSAS
B = TULSA, OKLAHOMA
C = CHATHAM, ONTARIO, CANADA
G = TRAILERS DE MONTEREY
H = SPRINGFIELD, OHIO
J = GARLAND, TEXAS
L or N = ESCOBEDO, MEXICO
R = AGRALE, BRAZIL

POSITION 12-17 JOB NUMBER

6 DIGIT TRUCK JOB NUMBER

II. CATALOG SECTIONS

A. Front Page

Page 1 of the catalog contains some general information about the current chassis, including the identity of the original Purchasor, the Chassis Model and the Date the chassis was manufactured. It also contains CopyRight information for the catalog.

B. Parts Catalog Contents

The Parts Catalog Contents Section contains a listing of the Figures contained in the Catalog and their associated page numbers in the Catalog. This can be used, with a printed catalog, to locate a specific Figure. You may mouse double-click on an individual Figure to go directly to that Figure in the Catalog, when using the Electronic Catalog.

C. Parts Catalog Guide

The Parts Catalog Guide Section (the section you are now reading), contains information and instructions on how to easily use the Catalog, whether you are using it on-line or using a printed Catalog. Complete instructions for Navigating through the catalog using the Navigation Bar, finding parts by Part Number or Description and how to print a Catalog are covered in this Section

D. Line Set Ticket

This Section contains the information contained in the Chassis Line Set Ticket. The first section gives the features of the Chassis, including Model, Dimensions, Build Data and other information of importance.

After the initial features are listed, the Line Set Ticket lists each of the Component Group Indexes, followed by each Unit Code contained within the Component Group. Some of the Unit Codes will be followed by **(Cost Code)**.

This indicates the Unit Code is a Cost Code, and will have no Figures, Reference Figures or Data Information associated with it.

E. Component Groups 01 through 17

There are 17 Component Group Folders show in the Bookmarks Window. By clicking the mouse on the Box [+] to the left of each Component Group Folder, you may open the Folder and display the Figures and Reference Figures contained in the Component Group. There are two types of figures shown, that can be distinguished by their different Icons. The first type of figure is a Figure, that has the following Icon associated with it:

You can open the Parts Detail associated with the Figure by double-clicking the mouse on the Figure Icon. This will cause the parts detail of the Figure and a Parts Illustration (if not a Non-Illustrated Figure) to be displayed on the screen.



Figure Icon

You can open the Parts Detail associated with the Figure by double-clicking the mouse on the Figure Icon. This will cause the parts detail of the Figure and Parts Illustration (if not a Non-Illustrated Figure) to be displayed on the screen.

PARTS CATALOG GUIDE

Three search options are available:

All Matches:

All occurrences of the search string, including those embedded in words, will be found.

Whole Words:

Multiple words can be entered, in any order, and the search will find lines containing those whole word combinations. For example ("nut size hex" will find the line containing "nut, hex Give Size")

Exact Match:

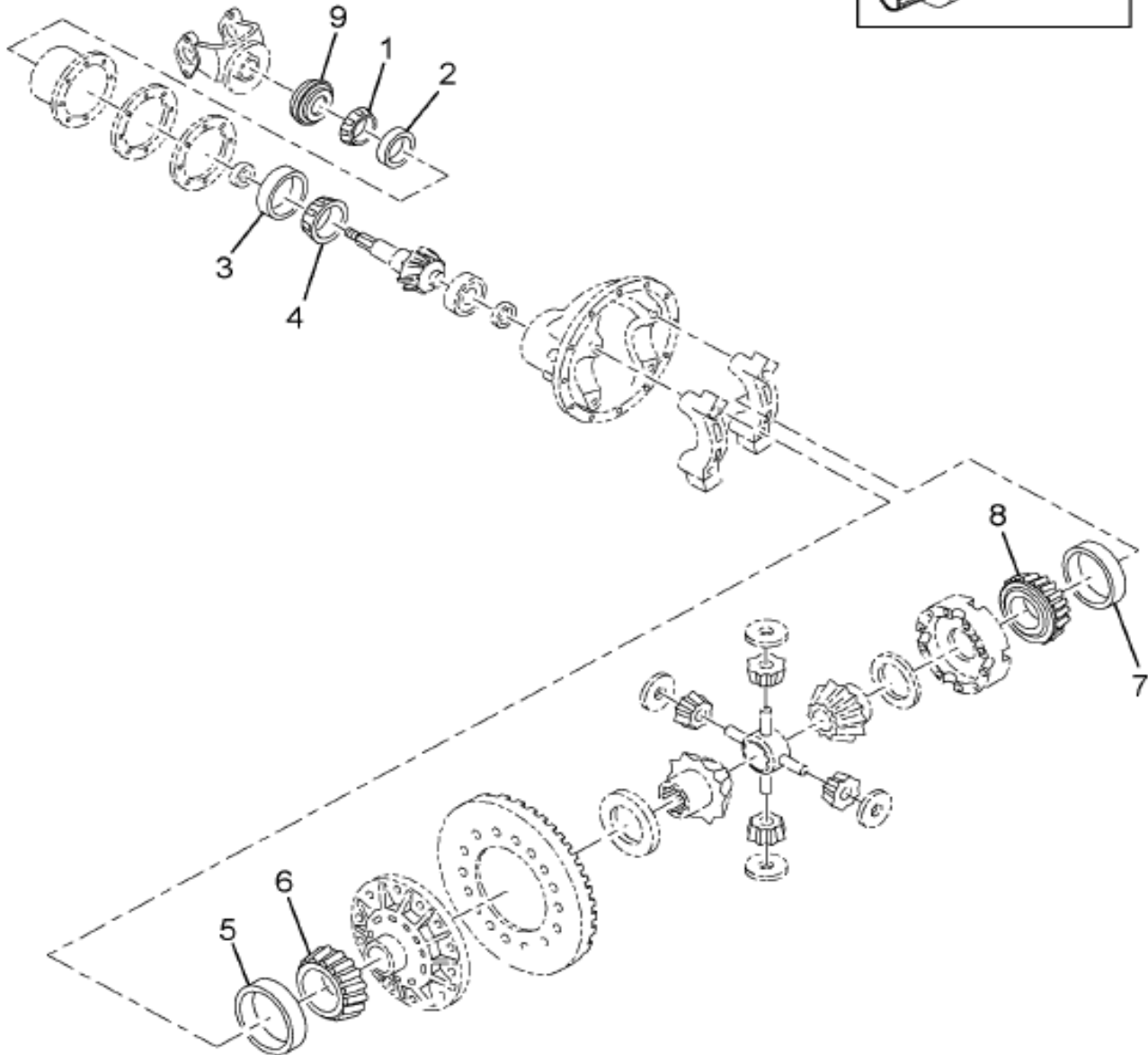
Only exact word matches, of the entered string, will be found.

If the search string was found in the section being searched, all occurrences of the search string will be highlighted on the first page that the search string was found. The first search item found will be highlighted in blue and other finds will be highlighted in yellow. If there is more than one item found, the Search Forward button (button on the right above) will be highlighted. If you click on the Search Forward Button the selection will move to the next location of the string in the section. At this point, the Search Back Button (button on the left above) will be enabled, allowing you to move back to the previous position. If you are at the first position of the search string in the section the Search Back Button will be disabled. If you are at the last location of the search string in the section, the Search Forward Button will be disabled. If there is only one occurrence of the string in the section both the Search Back and Search Forward Buttons will be disabled. A typical search result, for the search string "filter" is shown below:

Part No.	Description	Group	Figure	Page
1618318C91	GENERATOR, 12V 160 AMP	8	00198	159
1618386C91	FILTER, FUEL & WATER SEPARATOR	15	03SL0	394
1618386C92	FILTER, FUEL	15	03SL0	394
1618585C1	BRACKET, REAR MIRROR MTG	16	02P67	506
1618678C91	LIGHT ASSY TURN SIGNAL LH AMBE	8	02J82	132
1618679C91	LIGHT ASSY TURN SIGNAL RH AMBE	8	02J82	132

If you place the mouse on the selected (blue) search line and double-click the mouse button, the Figure 03SL0 will be displayed on the screen. This feature is only available when doing a search in the Part Description Index or the Part Number Index section, and is not available when you are doing a search in a Figure or Reference Figure section.

Figure 1676480C91
KIT DIFF BRG & SEAL



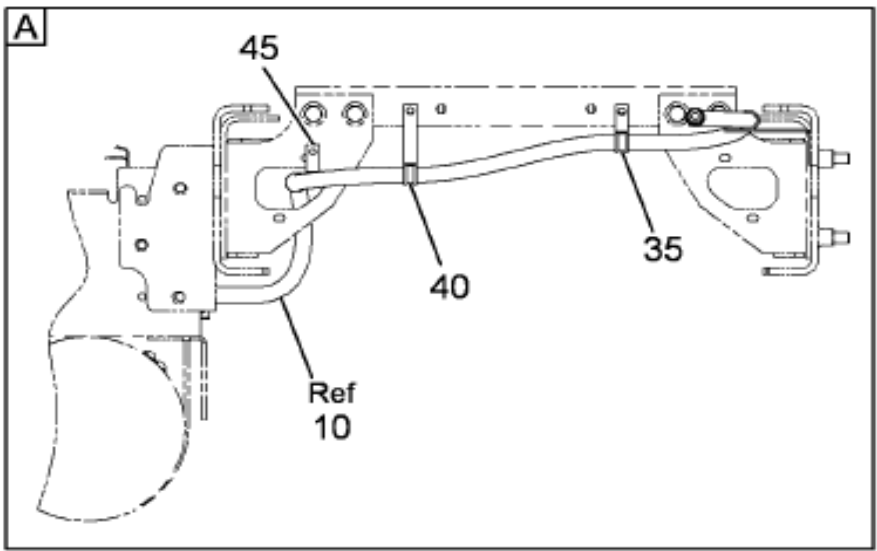
02-D60-M004-01

D09

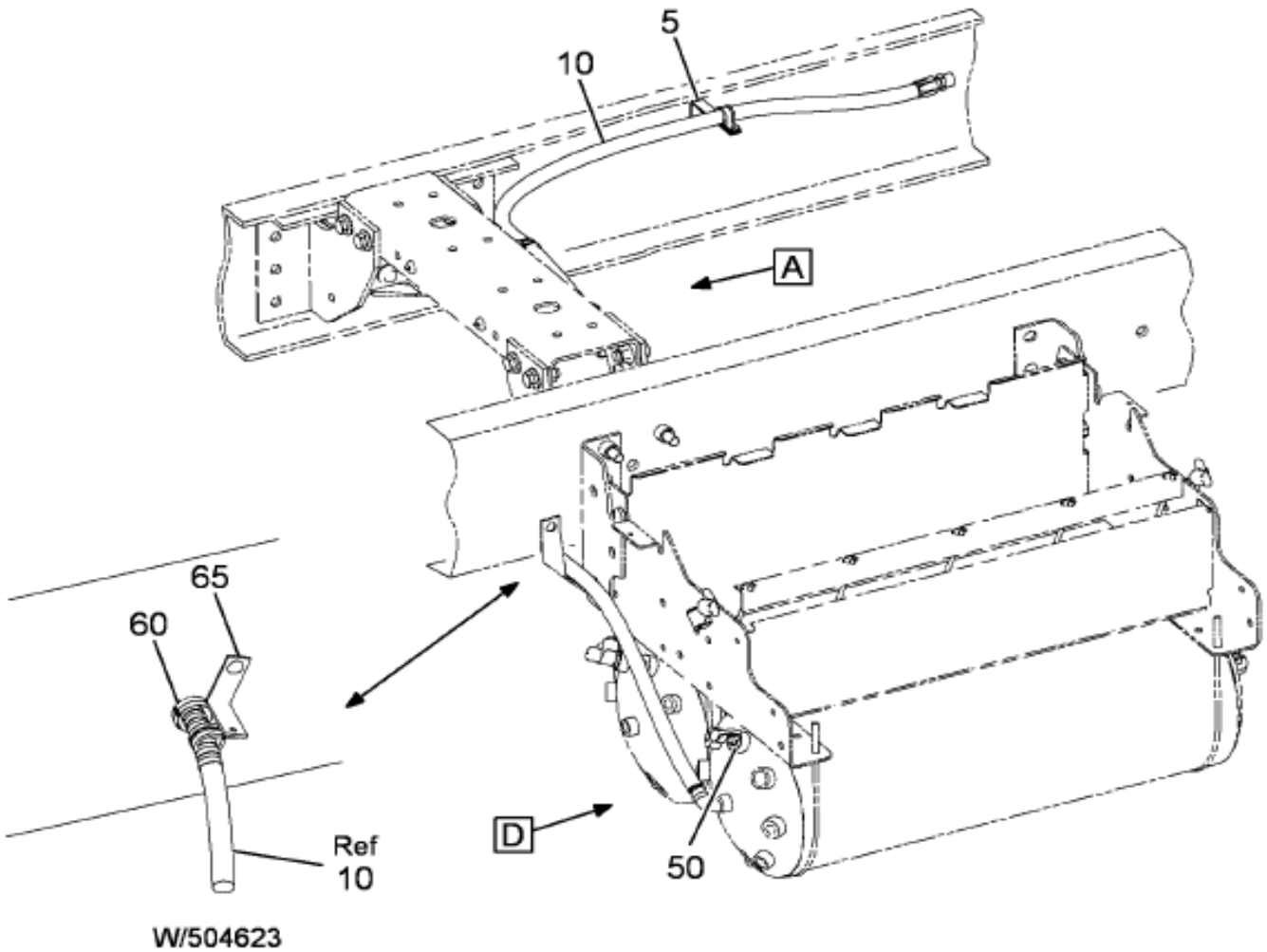
Item	Part No.	Qty	Description	Kit	Var	Figure
1	TMHM804846	1	BEARING, CONE			
2	TMHM804810	1	BEARING, CUP			
3	TM55437	1	BEARING, CUP			
4	TM55200C	1	BEARING, CONE			
5	TMJM511910	1	BEARING, CUP			
6	TM3994	1	BEARING, CONE			

Figure 0GFP7
AIR TANK TUBING INSTL

GRP04



FOR: M-NGV-SS
W/ CAB-HGHT=M
W/ 504013
-OR-
W/ 504603

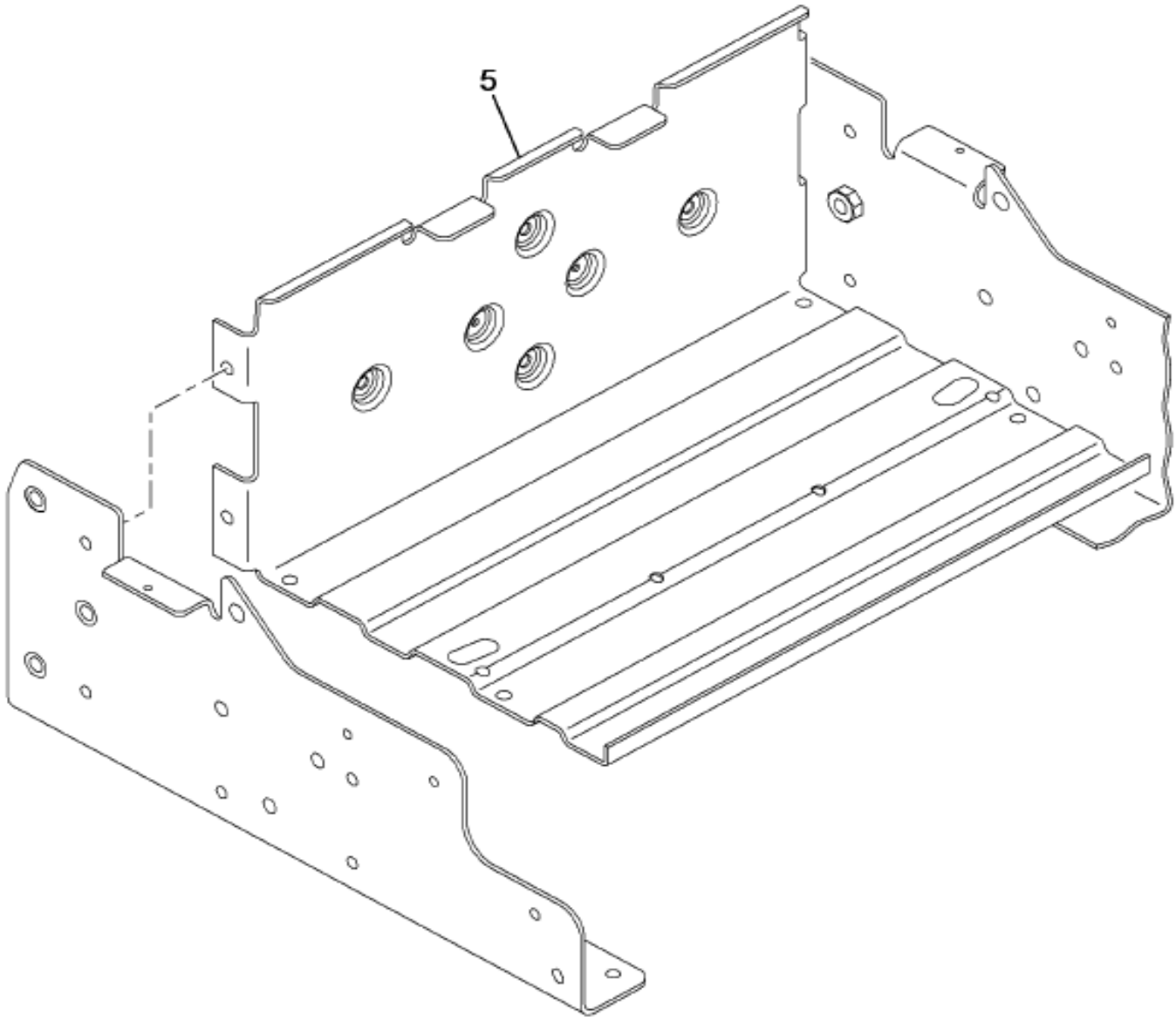


04-032-0222-01

G09

Figure 1 of 5

Figure 0HL44
BATTERY BOX TRAY; MODULE

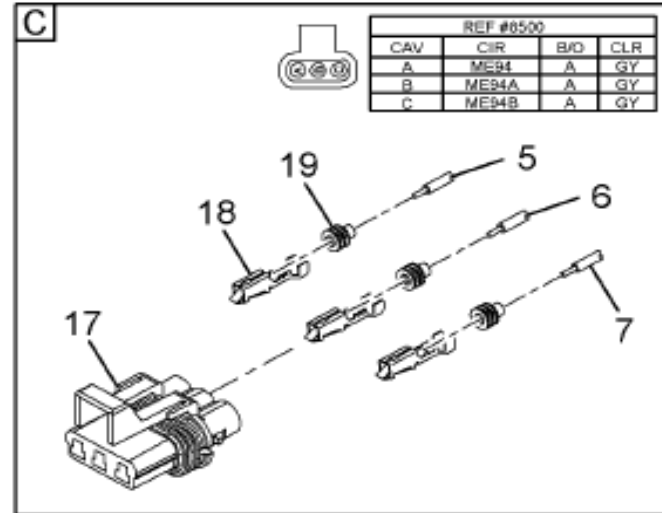
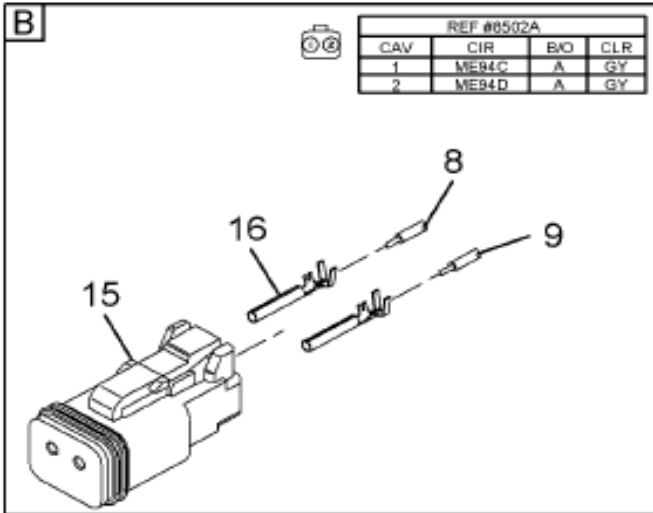
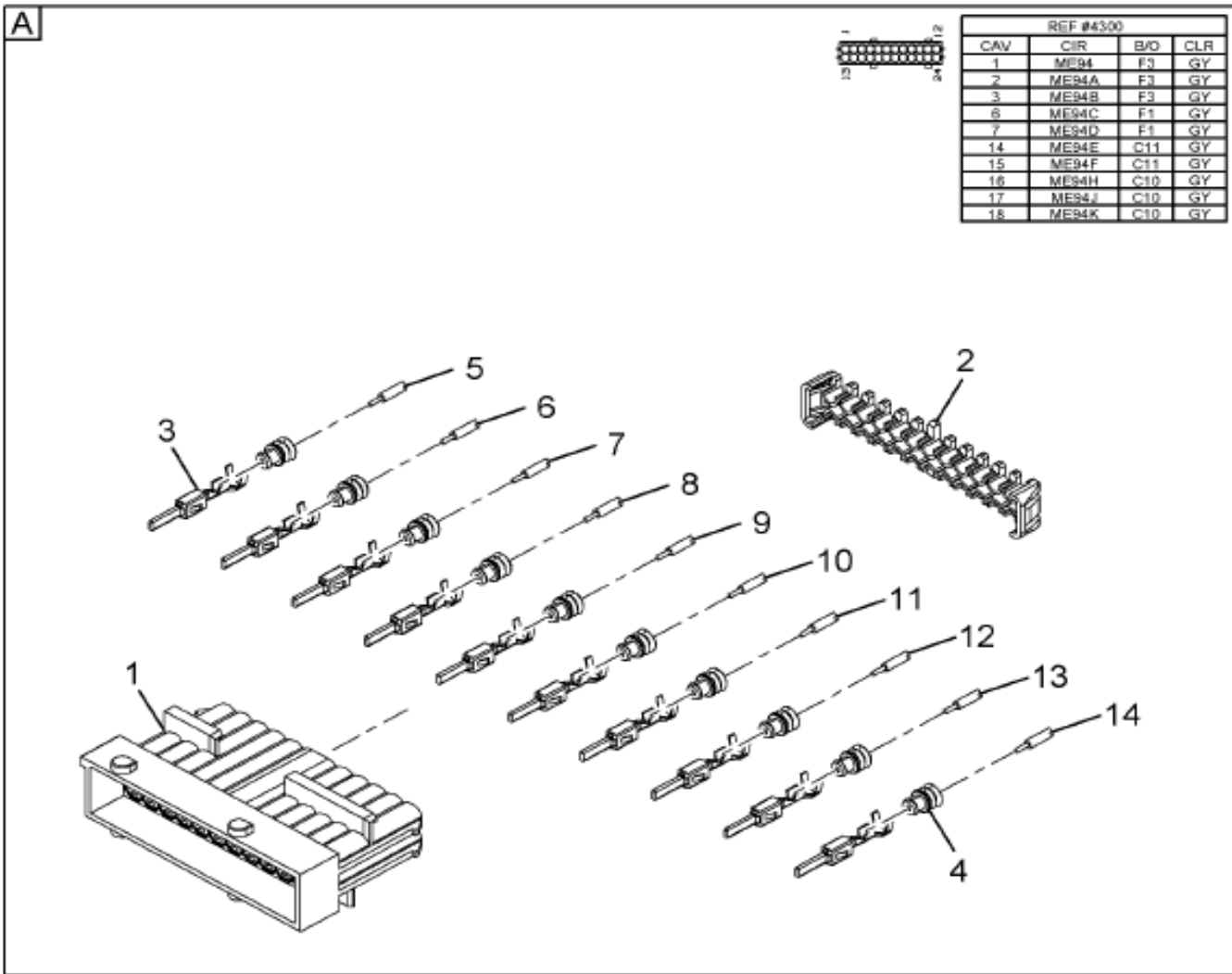


08-L45-0011-A0

E09

Item	Part No.	Qty	Description	Kit	Var	Figure
5	3576152F93	1	BBAT, 33" BTRY BOX ASSY		0HL4G	3576152F93

Figure 3572240F91
ELEC FWD CHAS BNDX AIR ABS



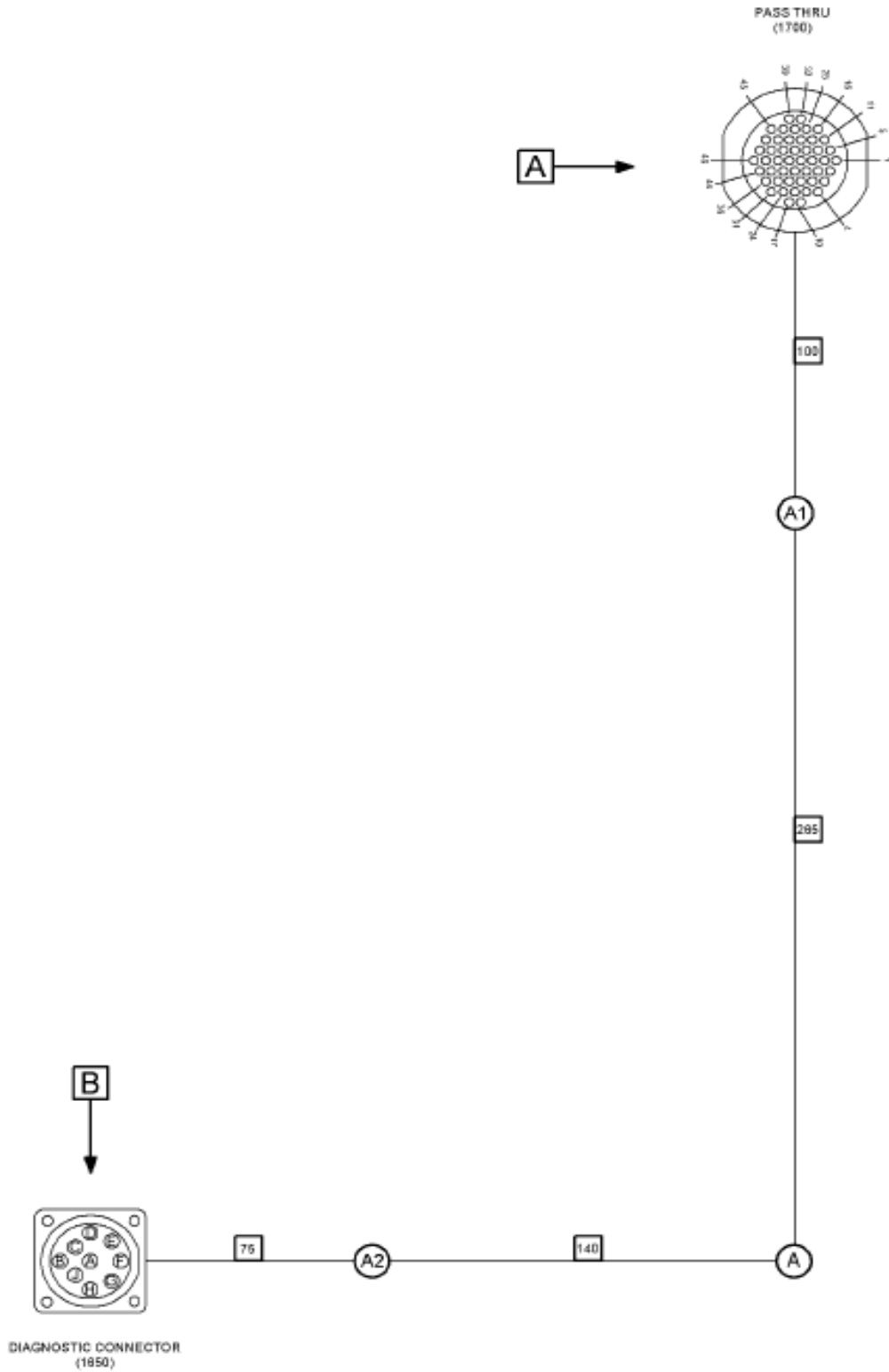
08-E63-0001-02

K10

Figure 2 of 3

G r o u p

Figure 3567203C91
HARNESS, POWER TRAIN D-LINK WRG

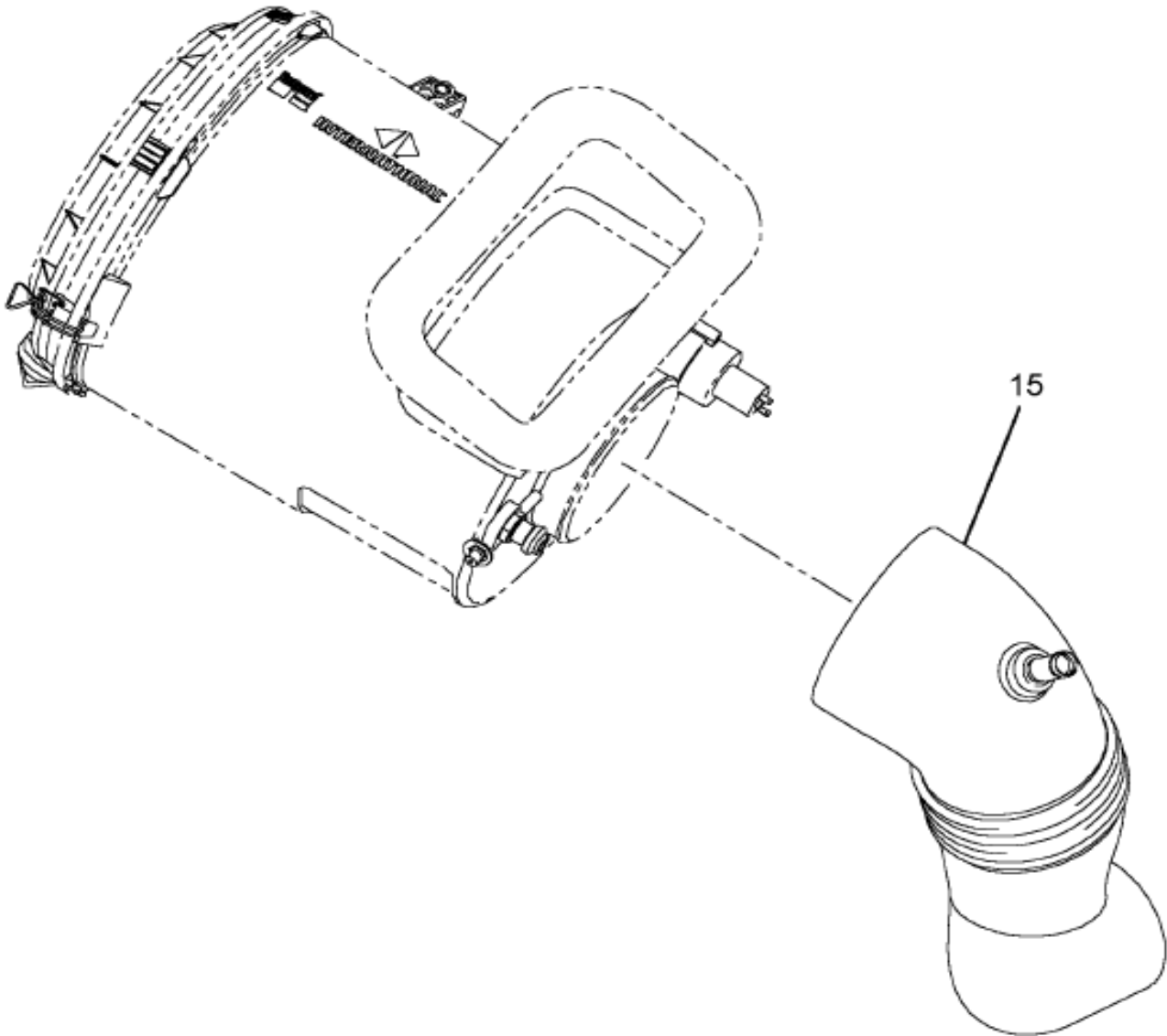
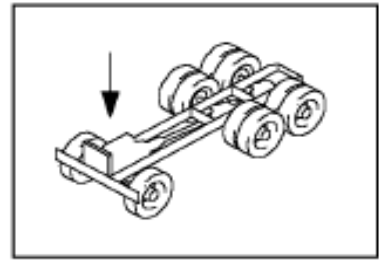


08-P48-0015-01

G10

Figure 1 of 2

Figure 07V12
AIR CLEANER PIPING INSTL; CLEAN AIR DUCT

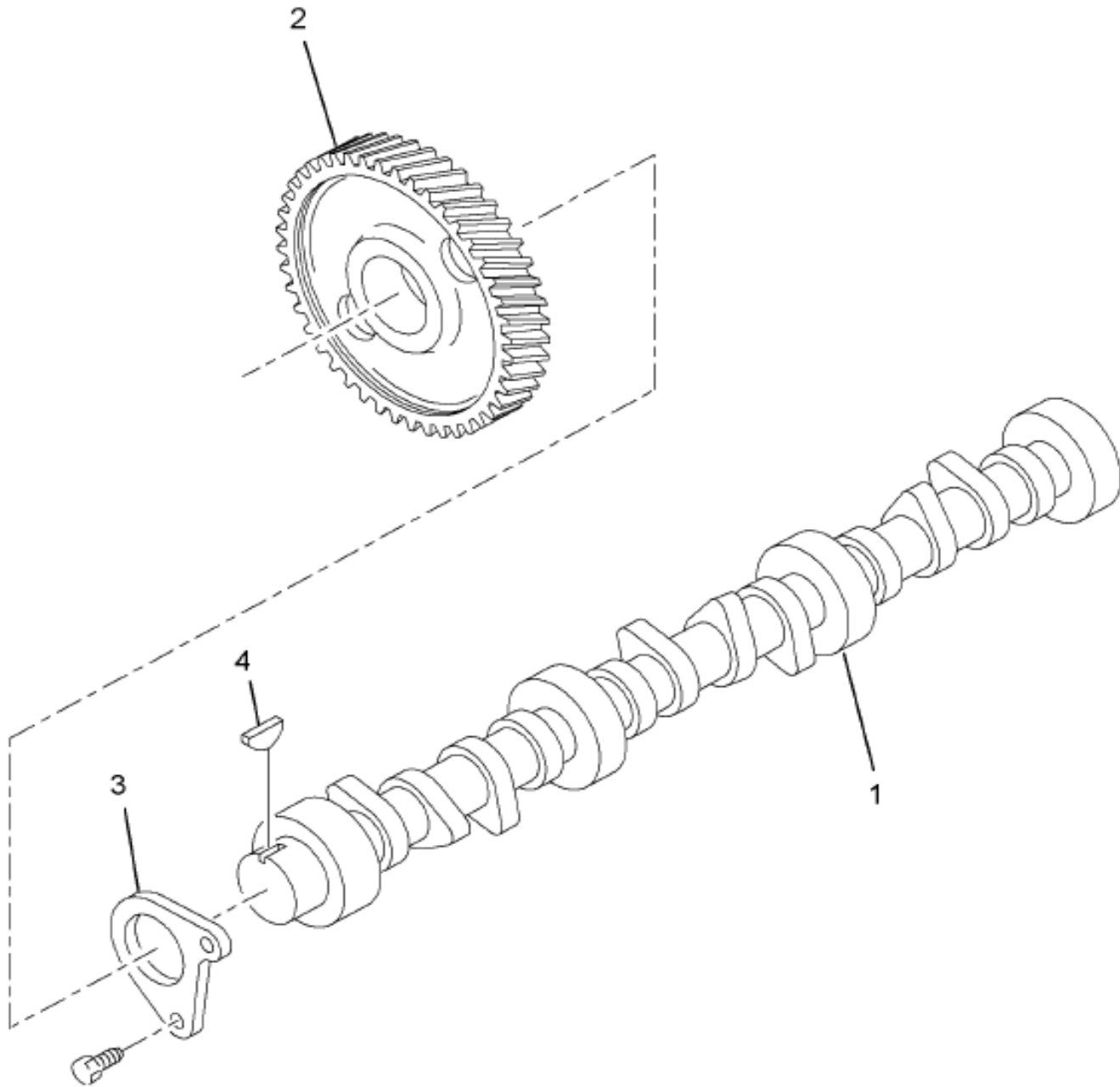


12-251-0035-BA

K02

Item	Part No.	Qty	Description	Kit	Var	Figure
15	3560955C91	1	HOSE,AIR CLEANER FOR SS107MB/F		07V13	3560955C91

Figure 1830613C91
CAMSHAFT, ASSEMBLY

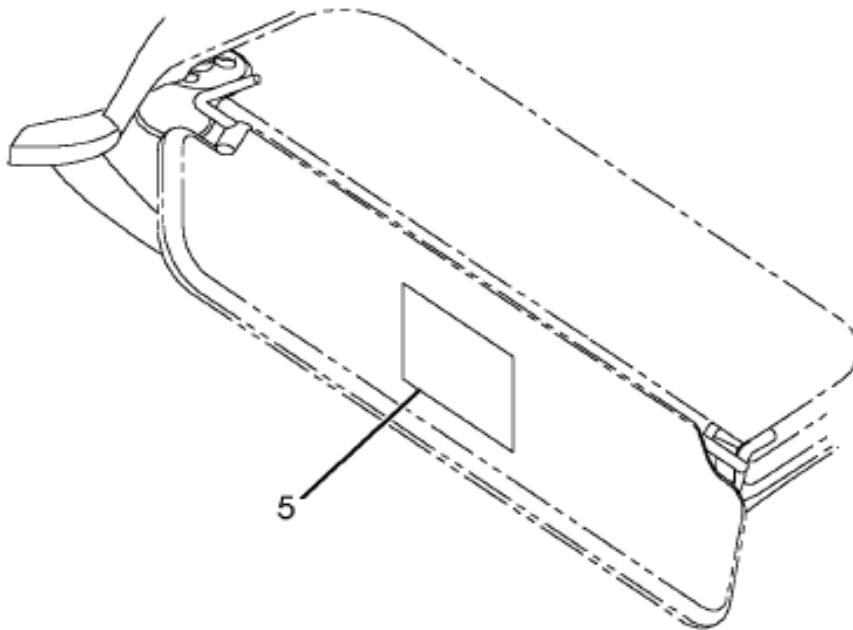
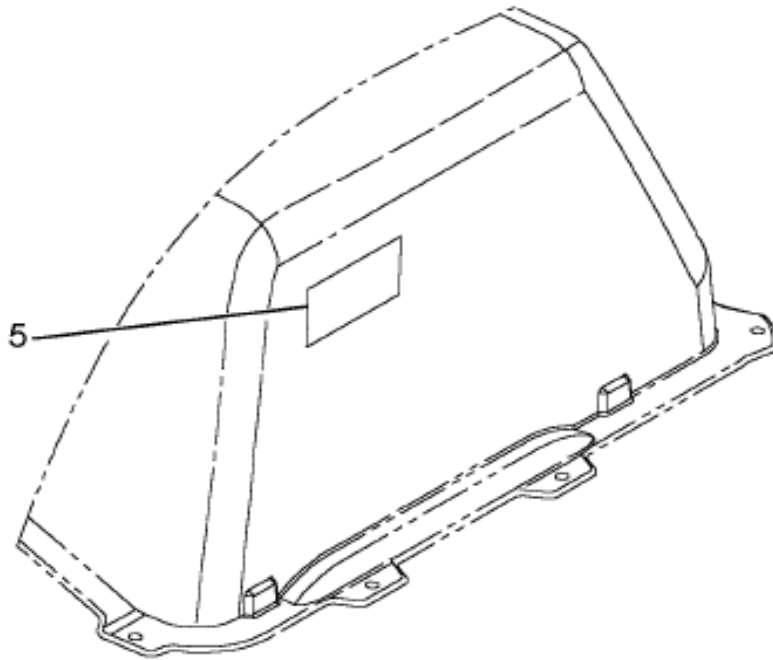


12-ENG-0583-01

H03

Item	Part No.	Qty	Description	Kit	Var	Figure
1	1824747C1	1	CAMSHAFT, MACHINING			
2	1823944C92	1	GEAR ASSY, CAMSHAFT			1823944C92
3	1817545C1	1	PLATE, CAMSHAFT THRUST FLANGE			
4	218211	1	KEY, 1/4 X 3/4 SAE 91 WOODRUFF			
880		RF	NOTE: ASM BELOW COMPRISED OF ABOVE COMPONENTS			

Figure 06WTQ
 PRODUCT GRAPHIC, XMSN LABEL; SHIFT



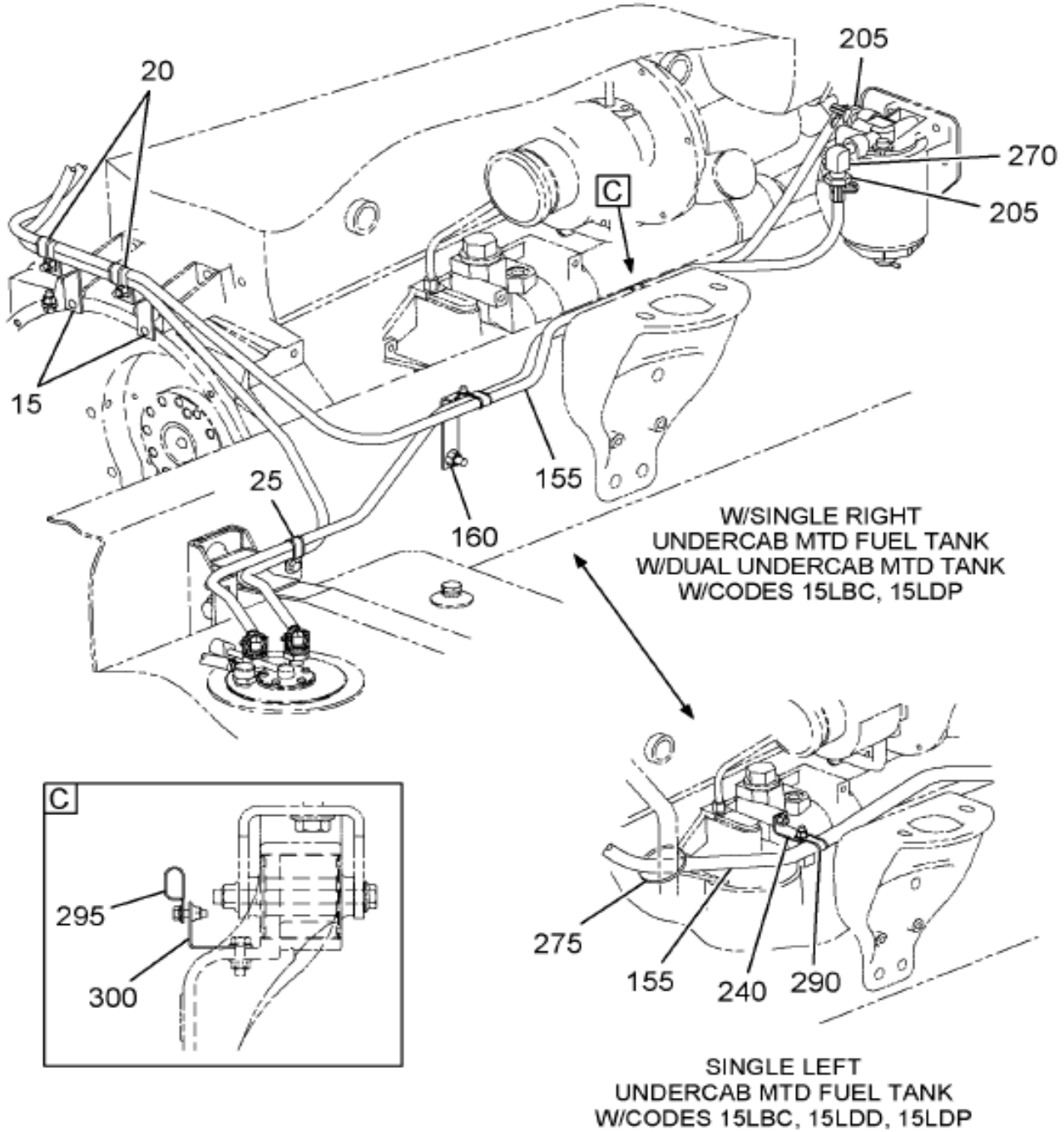
VIEW LOOKING UP

13-308-0012-AA

G04

Item	Part No.	Qty	Description	Kit	Var	Figure
8005	2643716R1	1	PAINT PRIMER ADHESIVE		06WTQ	

Figure 0H3G3
FUEL HOSEING INSTL

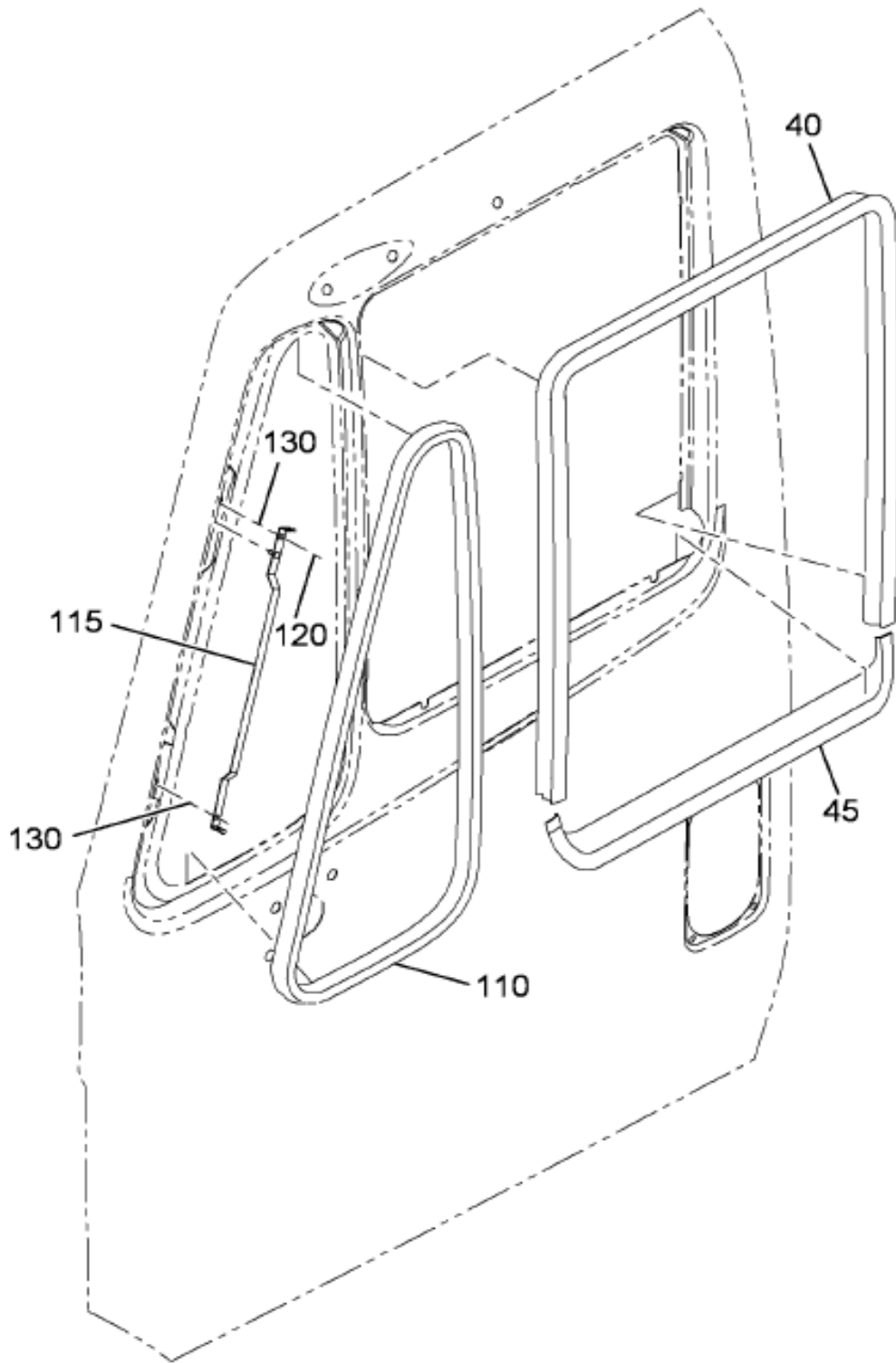


15-336-0082-01

C05

Figure 3 of 8

Figure 06MT8
DOOR COMPONENT INSTL; CAB, W/VENT WINDOW



16-354-0044-AC

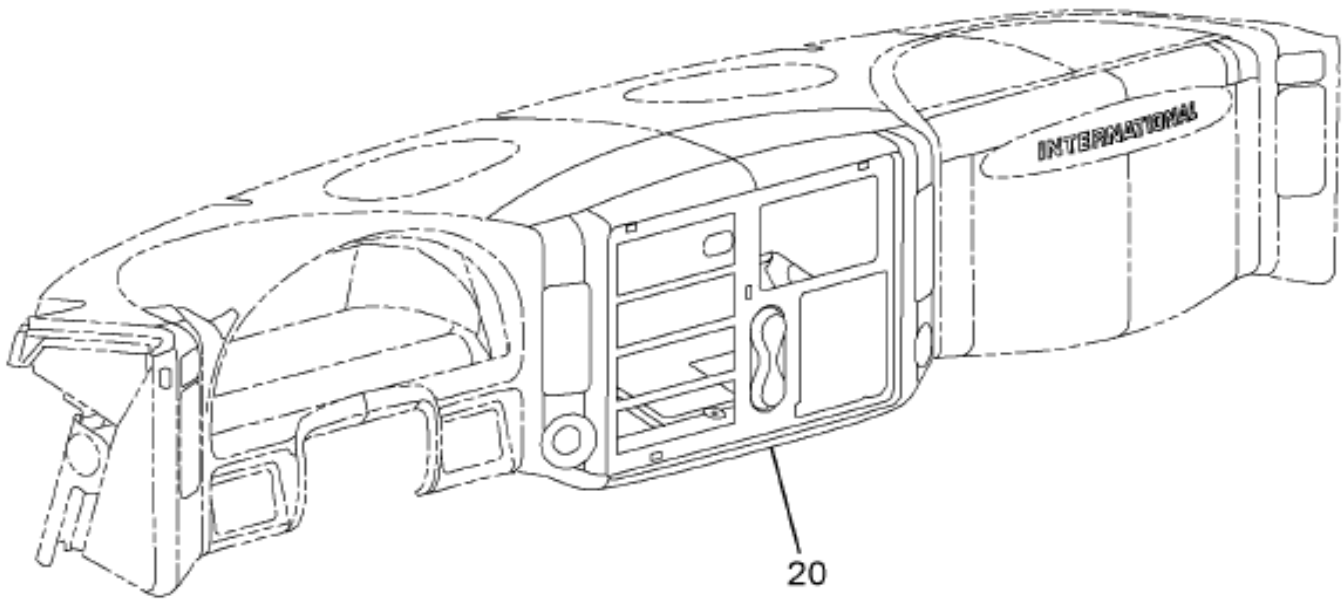
K09

GRP
16

Figure 3 of 6

Figure 06JV9

IP MODULE EFFECTS; ABR#4, CENTER COVER ASM



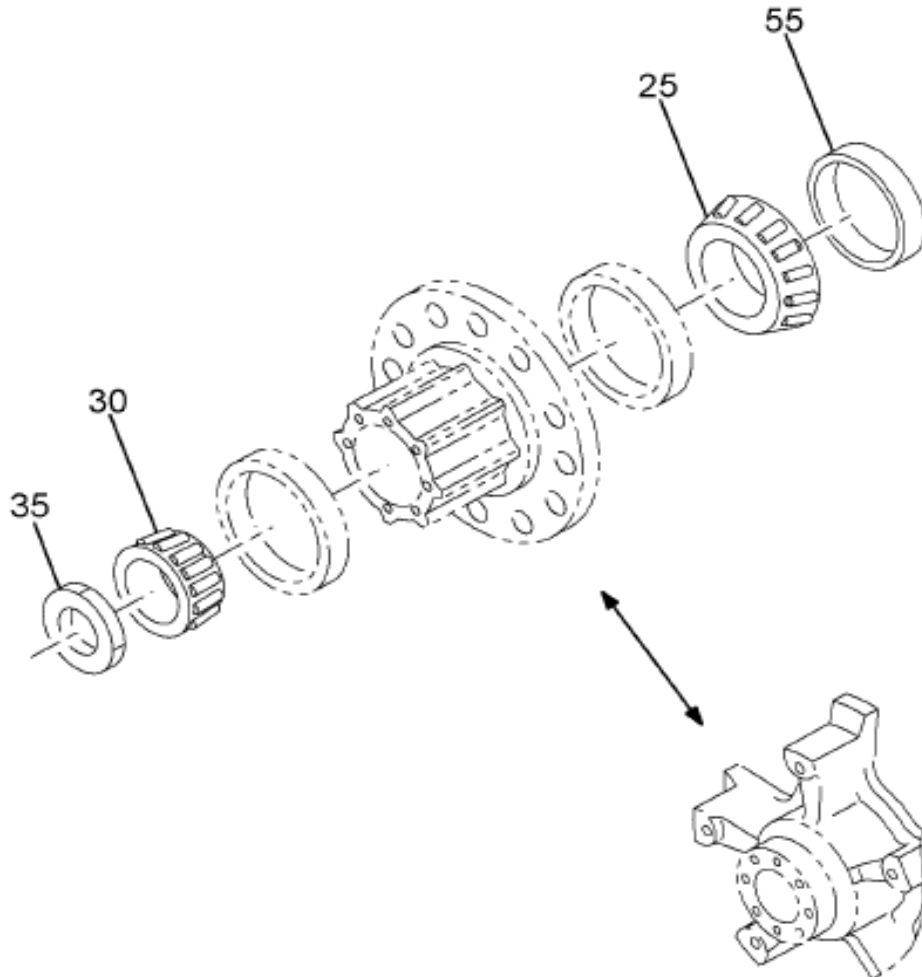
08-P04-0004-A4

K02

Grp 16

Item	Part No.	Qty	Description	Kit	Var	Figure
20	3511044F93	1	INST PNL FLT CTR ASSY LHD		06JVB	3511044F93

Figure 06M1J
SEAL & BRGS; WHEELS,RR AXLE



28-612-0004-01

F09

Item	Part No.	Qty	Description	Kit	Var	Figure
25	3592356C91	4	BEARING, CONE INR WHL 594A		06MG7	
30	3592365C91	4	BEARING, CONE OTR WHL		06MG7	
35	2032055C1	4	NUT, RR WHL BRG ADJ (AXILOK)		06MGC	
55	775698C91	4	SEAL, OIL REAR WHEEL BRG INNER		06MGD	