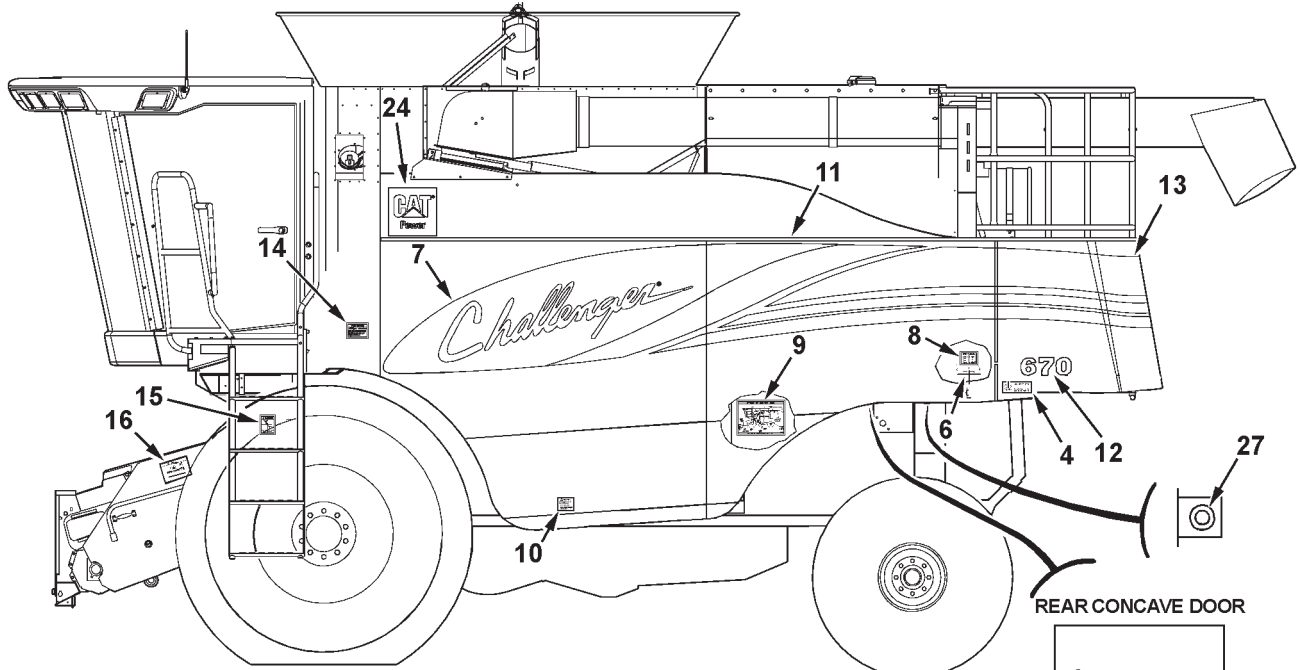


CHALLENGER 670 COMBINE

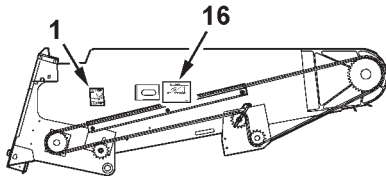
Part No.	Page	Grid	Part No.	Page	Grid	Part No.	Page	Grid	Part No.	Page	Grid
71410437	273	1-C 6	72506694	139	1-B 16	7700461	423	1-C 21	7703457	505	1-D 5
71410439	275	1-C 6	72506922	137	1-B 16	7700461	429	1-C 21	7703457	551	1-D 10
71410441	275	1-C 6	72506922	139	1-B 16	7700461	431	1-C 22	7703473	403	1-C 19
71410456	343	1-C 13	72507231	459	1-C 24	7700578	307	1-C 9	7703473	427	1-C 21
71410458	357	1-C 14	72507406	139	1-B 16	7700578	329	1-C 11	7703473	431	1-C 22
71410558	159	1-B 18	72507407	139	1-B 16	7700578	407	1-C 19	7703473	551	1-D 10
71410560	159	1-B 18	72507408	139	1-B 16	7701055	93	1-B 12	7703499	57	1-B 8
71410573	151	1-B 18	72507682	137	1-B 16	7701055	333	1-C 12	7703499	69	1-B 9
71410576	251	1-C 4	72507682	139	1-B 16	7701055	373	1-C 16	7703499	71	1-B 10
71410879	363	1-C 15	72507682	587	1-D 13	7701055	377	1-C 16	7703499	267	1-C 5
71410912	175	1-B 20	72509305	137	1-B 16	7701329	37	1-B 6	7703499	419	1-C 20
71410922	129	1-B 15	72509675	403	1-C 19	7701485	221	1-C 1	7703499	421	1-C 21
71410958	81	1-B 11	72511891	121	1-B 15	7701485	449	1-C 23	7703499	423	1-C 21
71410959	83	1-B 11	72513700	123	1-B 15	7701485	487	1-D 3	7703499	429	1-C 21
71410990	411	1-C 20	72514052	119	1-B 14	7701485	491	1-D 4	7703507	491	1-D 4
71411902	261	1-C 5	72514053	121	1-B 15	7701501	157	1-B 18	7703531	55	1-B 8
71412348	253	1-C 4	72514054	121	1-B 15	7701550	271	1-C 6	7703838	87	1-B 11
71449001	217	1-B 24	72514061	119	1-B 14	7701592	117	1-B 14	7703838	323	1-C 11
71449001	579	1-D 12	72514066	119	1-B 14	7701634	309	1-C 9	7704000	67	1-B 9
71449001	585	1-D 13	72514067	121	1-B 15	7701634	435	1-C 22	7704117	87	1-B 11
71449003	217	1-B 24	72514069	119	1-B 14	7701659	399	1-C 18	7704117	265	1-C 5
71449003	579	1-D 12	72514070	119	1-B 14	7701659	541	1-D 9	7704117	567	1-D 11
71449003	585	1-D 13	72514076	123	1-B 15	7701659	553	1-D 10	7704141	91	1-B 12
71449015	219	1-B 24	72525468	485	1-D 3	7701675	91	1-B 12	7704141	105	1-B 13
71449015	579	1-D 12	72526244	483	1-D 3	7701683	367	1-C 15	7704141	413	1-C 20
71449016	219	1-B 24	72528004	489	1-D 3	7701683	541	1-D 9	7704141	555	1-D 10
71449016	579	1-D 12	72528006	489	1-D 3	7701717	85	1-B 11	7704141	561	1-D 11
71449017	219	1-B 24	72528008	489	1-D 3	7701717	91	1-B 12	7704778	537	1-D 8
71449017	579	1-D 12	72528012	489	1-D 3	7701717	111	1-B 14	7704919	85	1-B 11
71449017	585	1-D 13	72528022	489	1-D 3	7701766	277	1-C 6	7704919	89	1-B 11
71449019	223	1-C 1	72528024	489	1-D 3	7701964	159	1-B 18	7704919	91	1-B 12
71502674	473	1-D 2	72528025	489	1-D 3	7701964	491	1-D 4	77057	377	1-C 16
71530252	257	1-C 4	734590	465	1-D 1	7701964	493	1-D 4	7710551	217	1-B 24
720219	39	1-B 6	74254699	543	1-D 9	7702012	187	1-B 21	7710551	219	1-B 24
720649	405	1-C 19	74254699	585	1-D 13	7702012	189	1-B 21	7710551	321	1-C 11
720656	497	1-D 4	74254700	543	1-D 9	7702145	399	1-C 18	7710551	361	1-C 15
72160919	159	1-B 18	74254700	585	1-D 13	7702194	55	1-B 8	7713860	535	1-D 8
72160919	161	1-B 19	74906743	107	1-B 13	7702202	51	1-B 8	7720063	127	1-B 15
72160919	173	1-B 20	755785	207	1-B 23	7703259	275	1-C 6	772418	485	1-D 3
72160919	175	1-B 20	758342	61	1-B 9	7703416	329	1-C 11	772418	501	1-D 5
72160919	587	1-D 13	762975	181	1-B 21	7703424	85	1-B 11	772426	75	1-B 10
72160993	47	1-B 7	762975	185	1-B 21	7703424	91	1-B 12	772525	143	1-B 17
72161024	127	1-B 15	762975	333	1-C 12	7703432	117	1-B 14	773697	565	1-D 11
72161999	79	1-B 10	762975	349	1-C 13	7703432	183	1-B 21	7744477	535	1-D 8
72272098	125	1-B 15	763136	105	1-B 13	7703457	59	1-B 8	7746233	141	1-B 17
722769	49	1-B 7	763300	549	1-D 9	7703457	61	1-B 9	7746449	37	1-B 6
72500822	159	1-B 18	766410	87	1-B 11	7703457	65	1-B 9	774745	161	1-B 19
72501085	159	1-B 18	76695	309	1-C 9	7703457	75	1-B 10	7751605	539	1-D 8
72501110	171	1-B 20	768036	307	1-C 9	7703457	87	1-B 11	7751605	541	1-D 9
72502789	117	1-B 14	768036	319	1-C 10	7703457	127	1-B 15	776682	289	1-C 7
72503309	171	1-B 20	768226	293	1-C 8	7703457	153	1-B 18	776682	305	1-C 9
72504036	113	1-B 14	768432	361	1-C 15	7703457	167	1-B 19	776682	441	1-C 23
72504740	119	1-B 14	7700107	87	1-B 11	7703457	171	1-B 20	776682	445	1-C 23
72504762	121	1-B 15	7700156	255	1-C 4	7703457	185	1-B 21	7770167	167	1-B 19
72504775	119	1-B 14	7700156	257	1-C 4	7703457	291	1-C 8	7770167	397	1-C 18
72504776	119	1-B 14	7700461	61	1-B 9	7703457	293	1-C 8	7770282	295	1-C 8
72504785	119	1-B 14	7700461	67	1-B 9	7703457	295	1-C 8	7770308	47	1-B 7
72504786	119	1-B 14	7700461	193	1-B 22	7703457	299	1-C 8	7770456	295	1-C 8
72504786	123	1-B 15	7700461	263	1-C 5	7703457	309	1-C 9	7770456	307	1-C 9
72504791	119	1-B 14	7700461	265	1-C 5	7703457	311	1-C 10	7770456	309	1-C 9
72504792	119	1-B 14	7700461	273	1-C 6	7703457	347	1-C 13	7770456	389	1-C 17
72504802	119	1-B 14	7700461	293	1-C 8	7703457	393	1-C 18	7771371	75	1-B 10
72504803	119	1-B 14	7700461	295	1-C 8	7703457	397	1-C 18	7771470	85	1-B 11
72504804	119	1-B 14	7700461	307	1-C 9	7703457	405	1-C 19	7771470	91	1-B 12
72504808	119	1-B 14	7700461	327	1-C 11	7703457	409	1-C 19	7771504	259	1-C 4
72504809	119	1-B 14	7700461	345	1-C 13	7703457	415	1-C 20	7771744	61	1-B 9
72504810	119	1-B 14	7700461	347	1-C 13	7703457	417	1-C 20	7771744	137	1-B 16
72504811	119	1-B 14	7700461	349	1-C 13	7703457	425	1-C 21	7771744	149	1-B 17
72504812	119	1-B 14	7700461	359	1-C 14	7703457	427	1-C 21	7771744	153	1-B 18
72505639	83	1-B 11	7700461	375	1-C 16	7703457	439	1-C 22	7771751	149	1-B 17
72506418	149	1-B 17	7700461	379	1-C 16	7703457	443	1-C 23	7771751	153	1-B 18
72506418	153	1-B 18	7700461	389	1-C 17	7703457	449	1-C 23	7771751	307	1-C 9
72506489	77	1-B 10	7700461	407	1-C 19	7703457	451	1-C 24	7771769	399	1-C 18
72506489	83	1-B 11	7700461	419	1-C 20	7703457	487	1-D 3	7771785	549	1-D 9
72506694	137	1-B 16	7700461	421	1-C 21	7703457	501	1-D 5	7771975	41	1-B 7

CHALLENGER 670 COMBINE
DECALS & LABELS

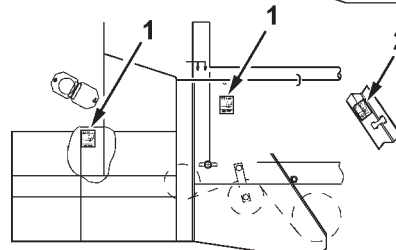
LABELS
LEFT SIDE & FRONT



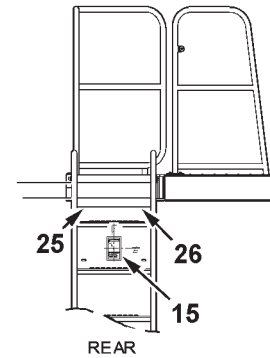
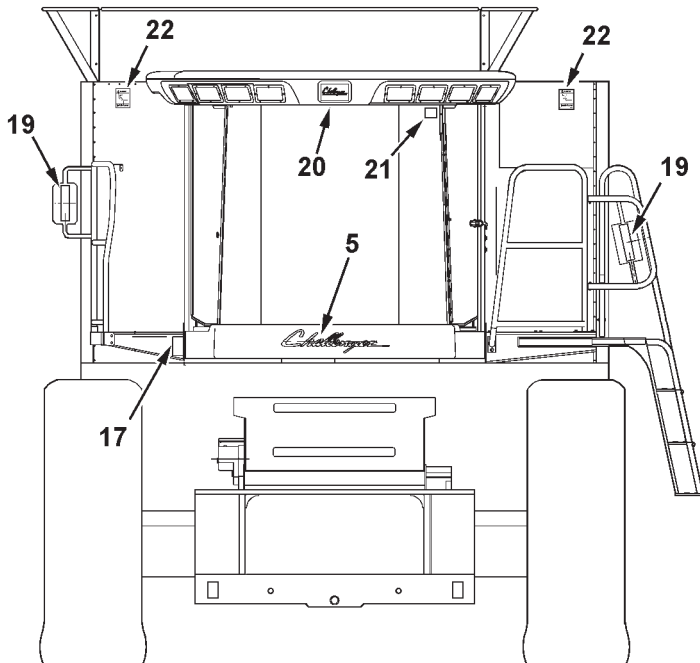
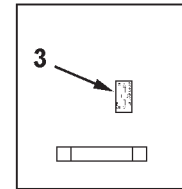
REAR CONCAVE DOOR



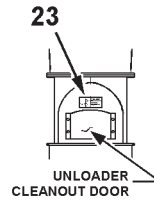
HEADER DRIVES-LEFT



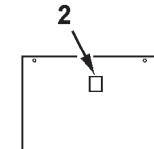
LEFT SHIELDS (BEHIND TIRE)



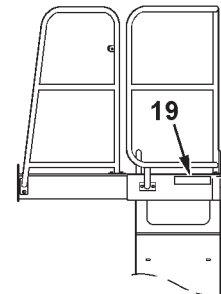
REAR



UNLOADER
CLEANOUT DOOR



MUD SHIELD-LEFT



STAIRCASE LADDER, FRONT

CHL0021

**CHALLENGER 670 COMBINE
DECALS & LABELS**

31

**LABELS
LEFT SIDE & FRONT**

ITEM	NUMBER	QTY	DESCRIPTION
1	111091W1	3	DECAL, DANGER, MISSING SHIELDS
2	111670W1	2	DECAL, WARNING, BELT OR CHAIN
3	71407700	1	DECAL, CYLINDER GEAR SHIFT
4	71379127	1	DECAL, WARNING, STAND CLEAR
5	700721965	1	DECAL, CHALLENGER FRONT
6	-----	1	PLATE, SERIAL NUMBER
	70924946	2	RIVET, 1/8 X 9/32
7	700721879	1	DECAL, COMBO, LEFT FRONT
8	590769M1	1	DECAL, PATENT
9	71395989	1	DECAL, LUBE GUIDE (PRIOR S/N HN36101)
	71403606	1	DECAL, LUBE GUIDE (EFF. S/N HN36101)
	71406769	1	DECAL, LUBE GUIDE (EFF. S/N HP36101)
10	71379128	1	DECAL, WARNING, SHIELDS IN PLACE
11	700721880	1	DECAL, COMBO, LEFT
12	700722188	1	DECAL, 670
13	700721877	1	DECAL, COMBO, LEFT REAR
14	700721139	1	DECAL, TIRE USAGE
15	700721781	1	DECAL, WARNING, KEEP OFF
16	111095W1	2	DECAL, DANGER, HEADER FALLING
17	71379129	1	DECAL, WARNING, FALLING OFF
19	700717403	2	REFLECTOR, AMBER
20	700721124	1	EMBLEM, CHALLENGER
21	71365412	1	DECAL, US FLAG
22	71379130	2	DECAL, WARNING, GRAIN TANK
23	111741W1	1	DECAL, DANGER, CLEANOUT
24	700721986	1	DECAL, CAT POWER
25	700717402	1	DECAL, REFLECTOR, RED
26	700717404	1	DECAL, REFLECTOR, RED/ORANGE
27	700727993	1	DECAL, BATTERY SWITCH (EFF. S/N HR36101)

CHL0021
PR: 452

**CHALLENGER 670 COMBINE
ENGINE**

39

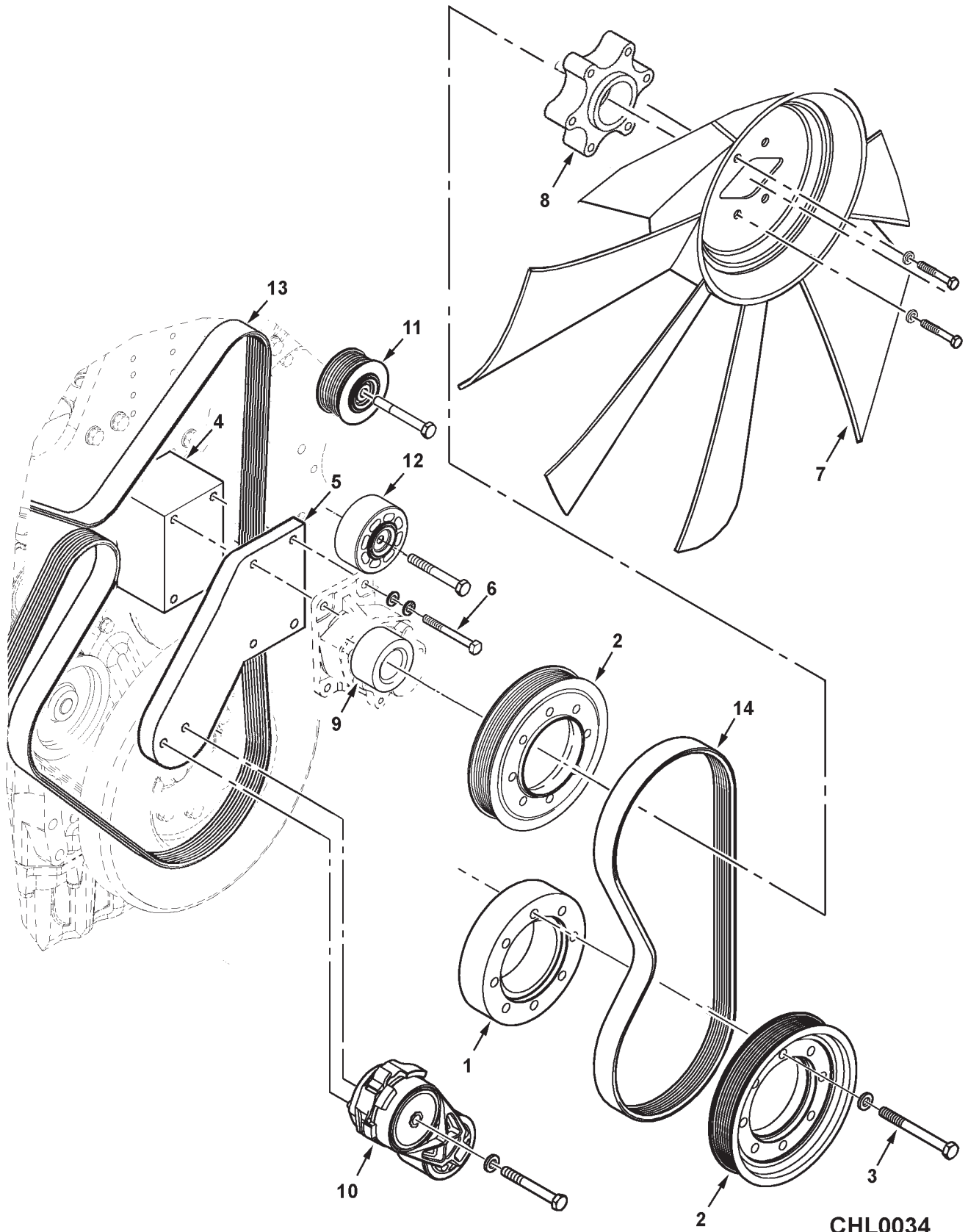
ENGINE & MOUNTS

ITEM	NUMBER	QTY	DESCRIPTION
30	71396763	1	HOSE, MOULDED, 90 DEG X 2" ID
	720219	2	CLAMP, HOSE
31	71396771	1	ADAPTER, 2" X 1" DIA
32	71396764	1	HOSE, 1" ID X 120"
	364125X1	1	CLAMP, HOSE
33	70937684	4	CLAMP, J-TYPE, 1-1/4 X .406 HOLE
	70921210	4	CAPSCREW, 3/8-16 X 1 GR5
	705038	4	LOCKWASHER, 3/8 REG
	70916950	4	NUT, 3/8-16 REG
34	70935781	1	ELBOW, 90 DEG, 3/4-16 JIC X ORB
	70921349	1	O-RING, .087 X .644 ID
35	71382694	1	HOSE ASM, OIL DRAIN
36	700712973	1	PLUG, 3/4-16 JIC
37	70937677	4	CLAMP, J-TYPE, 1 X .406 HOLE
39	71410040	1	BELT, ALTR'R AND COMPR'R (TIER 2 ENGINE) (PRIOR S/N HP36176)(AFTER CAMPAIGN KIT INSTALLED)
	71410013	1	BELT, ALTR'R AND COMPR (TIER 3 ENG) (EFF. S/N HP36176 THRU HP36999)
	71410040	1	BELT, ALTR'R AND COMPR (TIER 3 ENG) (EFF. S/N HR36101)
40	1R-0716	1	OIL FILTER ASY
41	202-8687	1	BREATHER ASY. (NOT ILLUSTRATED)
	9F-4446	1	O-RING (BREATHER)
42	4W-4794	1	TEMP. REGULATOR (NOT ILLUSTRATED)
	191-4457	1	GASKET, TEMP REGULATOR
43	1P-0436	1	GASKET, PRIMING PUMP (NOT ILLUSTRATED)
44	136-3608	1	CAP ASY, OIL FILLER
	124-0506	1	SEAL, OIL FILLER CAP
45	70933367	1	ELBOW, 90 DEG, 3/4-16 ORB X 3/4 OD STEM (TIER 3)
46	700718444	1	TRIM, EDGE PROTECTOR

CHL0022
PR: 26

CHALLENGER 670 COMBINE
ENGINE

COOLING FAN DRIVE
(TIER 2 ENG. PRIOR S/N HP36176)



CHL0034

**CHALLENGER 670 COMBINE
ENGINE**

55

MAIN ENGINE DRIVES

ITEM	NUMBER	QTY	DESCRIPTION
40	71349270	2	SPRING, EXTENSION
41	71395776B	2	PLUG, SPRING, 5/8-11UNC
42	71396355	2	HOSE, SPRING DAMPER
43	71349813	2	PLUG, SPRING, .53 HOLE
44	70937465	4	YOKE, 1/2-13UNC
45	7703531	2	CAPSCREW, 1/2-13 X 2-1/2 GR5
	704056	2	NUT, HEX JAM, 1/2-13
46	8701211	2	BOLT, HEX, 5/8-11 X 13" FULL THD, GR5
	71395175	2	PIVOT WASHER, 11/16 HOLE
	70918432	2	WASHER, 5/8, WIDE
	375112X1	2	NUT, HEX JAM, 5/8-11
47	71380468	1	ROD, THREADED, 1/2-13UNC X 15.3 LG
	704056	3	NUT, HEX JAM, 1/2-13
48	71304362	2	BUSHING, NYLON
	70924095	2	NUT, SPEED, FLAT, 3/4 NOM
49	71194263	2	BUSHING, RUBBER
	70923094	2	WASHER, .53 X 2.0 X .18 FLAT
50	71356060	4	BUSHING, IDLER ARM
51	71390208	2	SPACER
52	71390210	1	BELT, ROTOR PUMP DRIVE
53	71390204	1	ARM ASY, IDLER
54	70915988	1	CAPSCREW, 5/8-11 X 4-1/4 GR5
	70918432	1	WASHER, 5/8, WIDE
	70923353	1	NUT, CENTER LOCK, 5/8-11UNC
55	71309768	1	IDLER, FLAT, 8" DIA
56	71312603	1	SPACER, IDLER
57	71312602	1	SPACER, IDLER
58	2451440W1	1	SPACER
59	7702194	1	CAPSCREW, 5/8-11 X 5" GR5
	70917373	1	LOCKWASHER, 5/8 REG
	70932665	1	NUT, 5/8-11UNC, REG
60	71396565	1	ROD, THREADED, 1/2-13UNC X 14.75 LG
	704031	3	NUT, 1/2-13 REG
61	71390209	1	BELT, PROPEL PUMP DRIVE
62	71395872	2	SPRING ASY, PUMP DRIVE (INCL IT'S 40-45)
63	70929593	4	PIN, CLEVIS, 1/2 DIA
	70918452	4	COTTER PIN, 1/8 X 1"

MC00297
PR: 34

**CHALLENGER 670 COMBINE
ENGINE**

57

COOLING SYSTEM

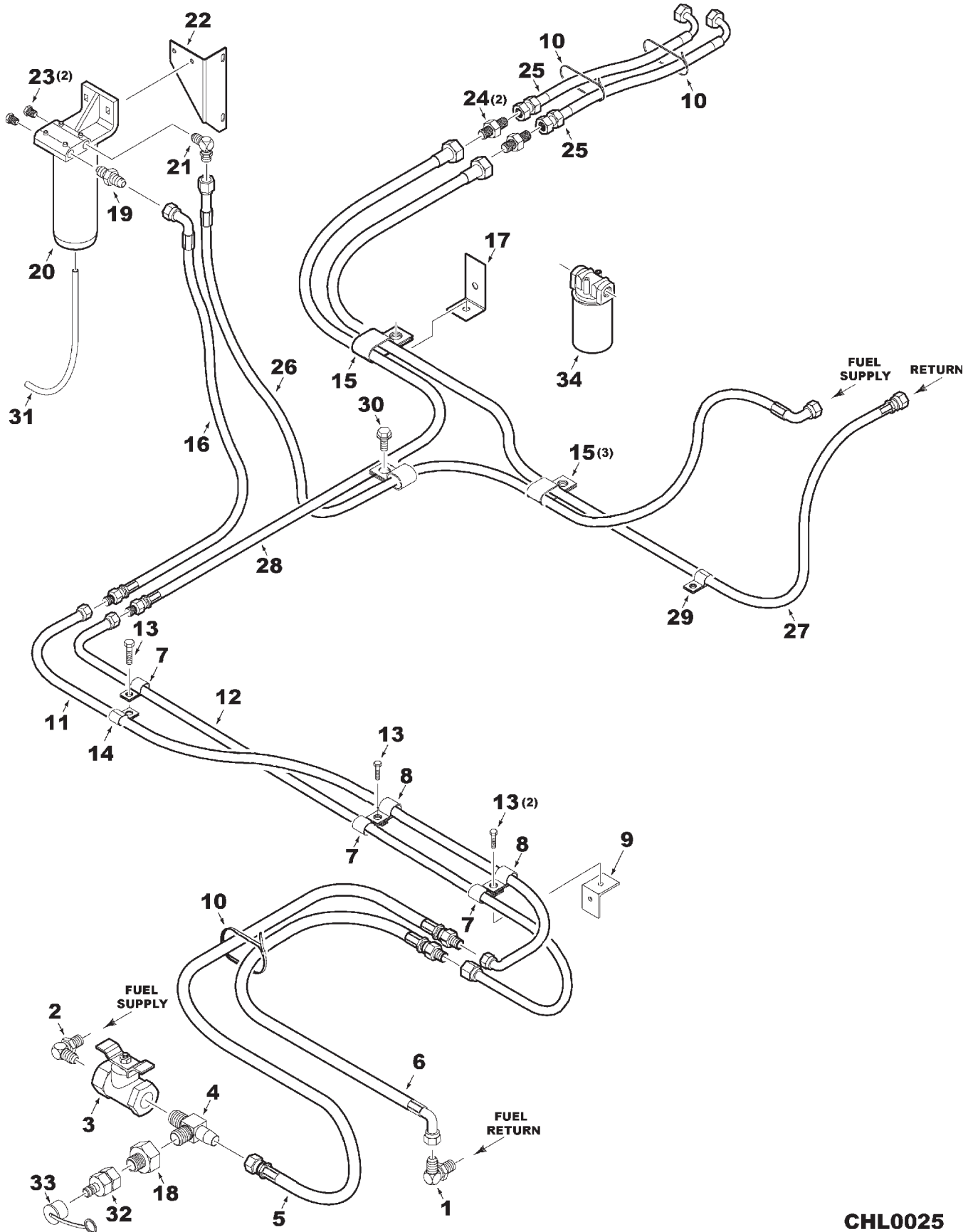
ITEM	NUMBER	QTY	DESCRIPTION
1	-----	1	COOLING PACKAGE ASY.(PRIOR S/N HP36101) (INCL. FOLLOWING 4 COMPONENTS)
	71400552	1	RAD & CHARGE AIR COOLER ASY W/FRAME
	71400554	1	RADIATOR, NKKX, 7 ROW, 6 FPI
	71400555	1	CHARGE AIR COOLER, 4 ROW, 4 FPI
	71393842	1	COMBINATION COOLER, 5 ROW, 5 FPI (A/C, OIL & FUEL COOLER)
	-----	1	COOLING PACKAGE ASY.(EFF. S/N HP36101) (INCL. FOLLOWING 4 COMPONENTS)
	71401799	1	RAD & CHARGE AIR COOLER ASY W/FRAME
	71400554	1	RADIATOR, NKKX, 7 ROW, 6 FPI
	71404420	1	CHARGE AIR COOLER, 4 ROW, 4 FPI
	71393842	1	COMBINATION COOLER, 4 ROW, 5 FPI (A/C, OIL & FUEL COOLER)
	70921210	2	CAPSCREW, 3/8-16 X 1" GR5
	70916965	2	LOCKWASHER, 3/8, REG
	Y705533	2	WASHER, 3/8, HARD PLAIN
2	71397898C	1	SHROUD WLMT, ROTARY SCREEN (PRIOR S/N HP36101)(FILL UNUSED HOLES W/SCREWS)
	71401807	1	SHROUD WLMT, ROTARY SCREEN (EFF. S/N HP36101)(FILL UNUSED HOLES W/SCREWS)
	Y704734	4	NUT, HEX FLANGE TOP LOCK, 3/8-16
	70921974	2	CAPSCREW, 3/8-16 X 1-1/2 GR5 (PRIOR S/N HP36101)
	70921210	9	CAPSCREW, 3/8-16 X 1 GR5
	Y705533	9	WASHER, 3/8, HARD PLAIN
	70916965	9	LOCKWASHER, 3/8, REG
3	-----	1	SCREEN ASY. 40", COMPLETE (SEE COMPONENTS LISTING)
4	71396779	1	SHROUD WLMT,FAN FRONT(PRIOR S/N HP36101)
	71404386	1	SHROUD WLMT, FAN FRONT(EFF. S/N HP36101)
	Y704734	1	NUT, HEX FLANGE TOP LOCK, 3/8-16
	70921210	4	CAPSCREW, 3/8-16 X 1 GR5
	70916965	4	LOCKWASHER, 3/8 REG
	Y705533	4	WASHER, 3/8, HARD PLAIN
	701565	5	SCREW, HEX WSHR HD, 1/4-20 X 3/4
5	71396781	1	SHROUD WLMT, FAN REAR(PRIOR S/N HP36101)
	71404387	1	SHROUD WLMT, FAN REAR (EFF. S/N HP36101)
	Y704734	1	NUT, HEX FLANGE TOP LOCK, 3/8-16
	70921210	4	CAPSCREW, 3/8-16 X 1 GR5
	70916965	4	LOCKWASHER, 3/8 REG
	Y705533	4	WASHER, 3/8, HARD PLAIN
	701565	6	SCREW, HEX WSHR HD, 1/4-20 X 3/4
6	71401585	1	SHROUD WLMT, FAN TOP (PRIOR S/N HP36101)
	71404391	1	SHROUD WLMT, FAN TOP (EFF. S/N HP36101)
	7703499	8	CAPSCREW, 5/16-18 X 3/4 GR5
	70917356	8	LOCKWASHER, 5/16 REG
	Y705525	8	WASHER, 5/16, HARD PLAIN
7	71400560	1	PANEL, DEFLECTOR (PRIOR S/N HP36101)

CONTINUED

CHL0024
PR: 40

CHALLENGER 670 COMBINE
ENGINE

FUEL LINES
(PRIOR S/N HP36101)



**CHALLENGER 670 COMBINE
ENGINE**

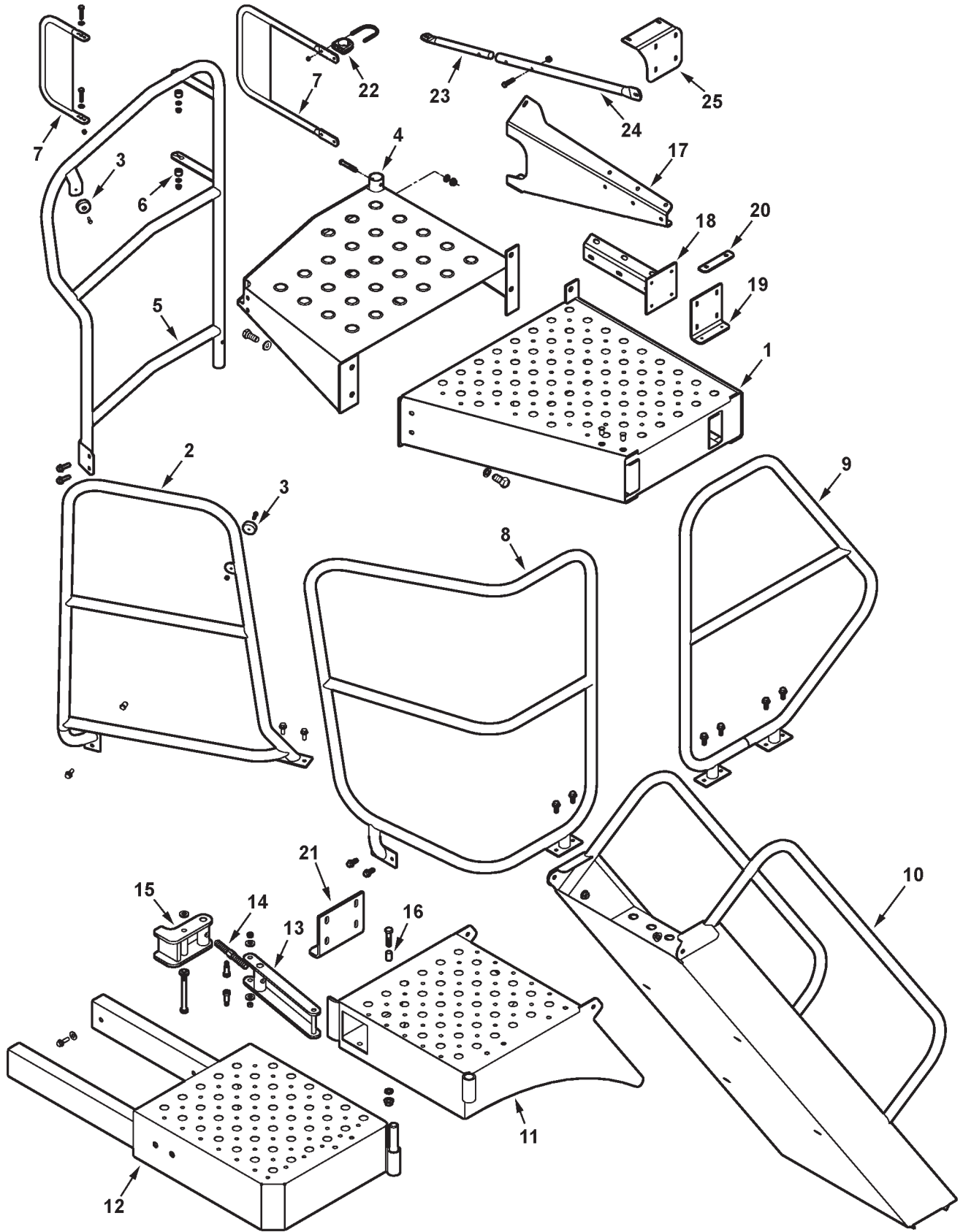
69

**FUEL LINES
(PRIOR S/N HP36101)**

ITEM	NUMBER	QTY	DESCRIPTION
1	70919195	1	ELBOW, 90 DEG, 3/4-16 JIC X 1/2 NPTF
2	700701331	1	ELBOW, 90 DEG, 1/2 NPTF X 1/2 NPTF
3	71368741	1	VALVE, BALL, 1/2 NPT
4	71400556	1	TEE, MALE, 7/8-14 X 1/2 NPTF RUN
5	71394141	1	HOSE ASY, FUEL SUPPLY
6	71396269	1	HOSE ASY, FUEL RETURN
7	70925617	3	CLAMP, 1/2 TUBE X .406 HOLE
8	70928656	3	CLAMP, 5/8 TUBE X .406 HOLE
9	112678W1	1	ANGLE, BRACKET
	70921210	2	CAPSCREW, 3/8-16 X 1 GR5
	Y704734	2	NUT, HEX FLNG TOP LK, 3/8-16
10	70937133	3	TIE, NYLON
11	71396263	1	TUBE ASY, FUEL SUPPLY
12	71391234	1	TUBE ASY, FUEL RETURN
13	70921977	2	CAPSCREW, 5/16-18 X 1-1/4 GR5
	Y704726	2	NUT, HEX FLNG TOP LK, 5/16-18
	Y705608	2	WASHER, 5/16 NARROW
14	70926049	1	CLAMP, 3/4 TUBE X .406 HOLE
15	70936473	4	CLAMP, DBL, .875 TUBE X .406 HOLE
	70921210	1	CAPSCREW, 3/8-16 X 1 GR5
	Y704734	1	NUT, HEX FLNG TOP LK, 3/8-16
16	71396792	1	HOSE ASY, FUEL SUPPLY
17	112678W1	1	ANGLE, BRACKET
	Y705608	1	WASHER, 5/16 NARROW
	7703499	1	CAPSCREW, 5/16-18 X 3/4
18	70930224	1	REDUCER, 7/8-14 JIC FEM X 9/16-18 JIC
19	8746430	1	STR CONN, 7/8-14 JIC X 3/4-16 ORB
	70921349	1	O-RING, .087 X .644 ID
20	133-5673	1	ELEMENT, PRIMRY FUEL FLTR/WATER SEPR'TOR
	155-2629	1	BOWL ASY, PRIMARY FUEL FILTER
	141-0284	1	KIT, FUEL FILTER & WATER SEPARATOR
	70920415	2	CAPSCREW, 3/8-16 X 1-1/4 GR5
	Y704734	2	NUT, HX FLNG TOP LK, 3/8-16
	70918266	2	WASHER, 3/8 NARROW
21	70923905	1	ELBOW, 90 DEG, 9/16-18 JIC X 3/4-16 ORB
	70921349	1	O-RING, .087 X .644 ID
22	71396795	1	BRACKET, FUEL FILTER
	Y704734	2	NUT, HX FLNG TOP LK, 3/8-16
	70918266	2	WASHER, 3/8 NARROW
23	70921573	2	PLUG, 3/4-16 ORB
24	70927261	2	UNION BULKHEAD, 3/4-16 JIC
25	71388073	2	HOSE ASY, FUEL COOLER
26	71396793	1	HOSE ASY, FUEL SUPPLY
27	71397644	1	HOSE ASY, FUEL RETURN TO COOLER
28	71393847	1	HOSE ASY, FUEL RETURN TO TANK
29	70926049	1	CLAMP, 3/4 TUBE X .406 HOLE
	70921210	1	CAPSCREW, 3/8-16 X 1 GR5
	Y704734	1	NUT, HX FLNG TOP LK, 3/8-16
31	71396768	1	DRAIN HOSE, WATER SEPARATOR
	70929402	1	CLAMP, HOSE, WORM DR, .22-.63
32	700722408	1	NIPPLE, DIAGNOSTIC, 9/16-18 JIC FEM
33	71379304	1	CAP, DUST
34	1R-0751	1	FUEL FILTER ASY

CHL0025
PR: 52

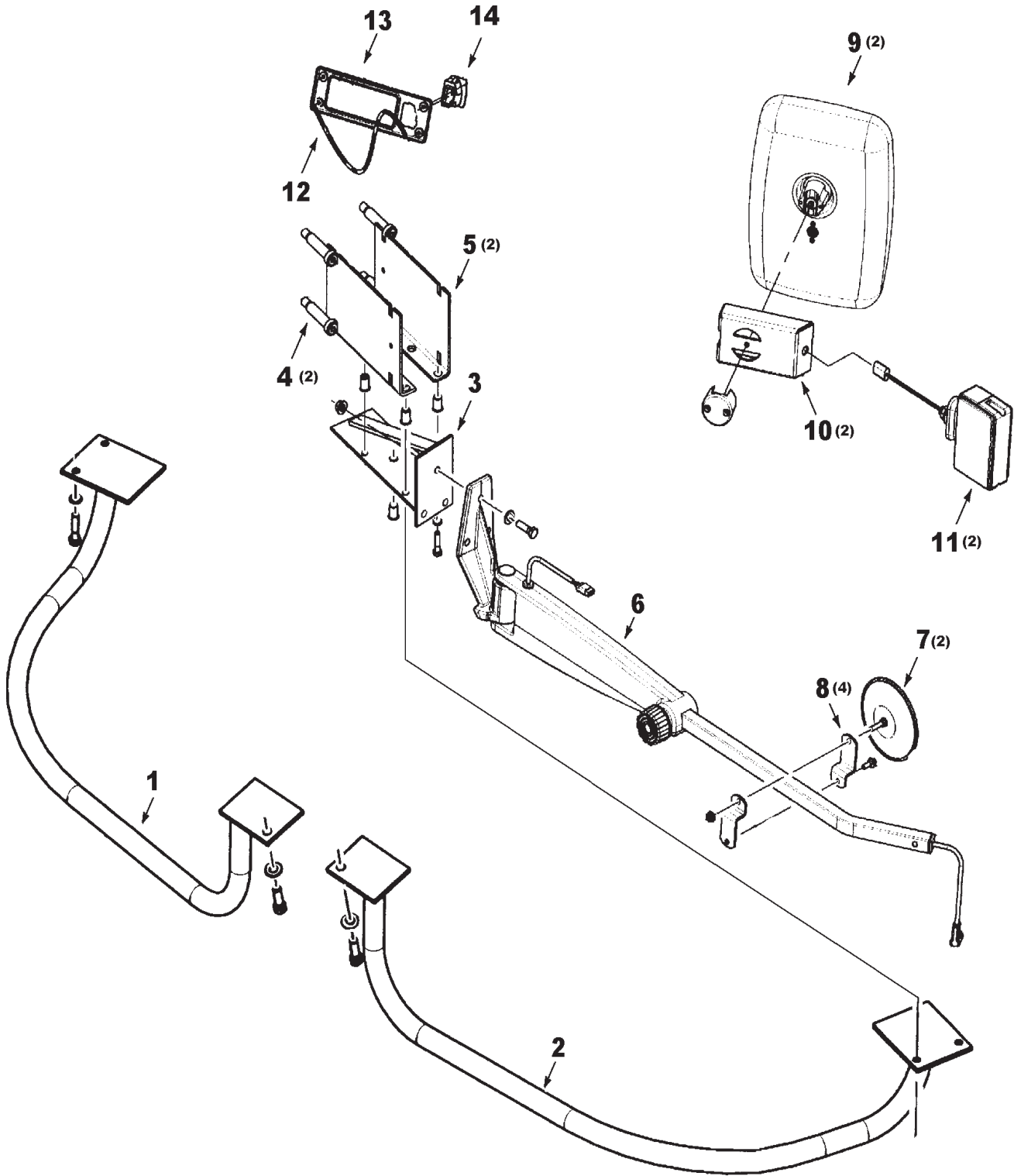
STAIRCASE LADDER & PLATFORM



MC00289

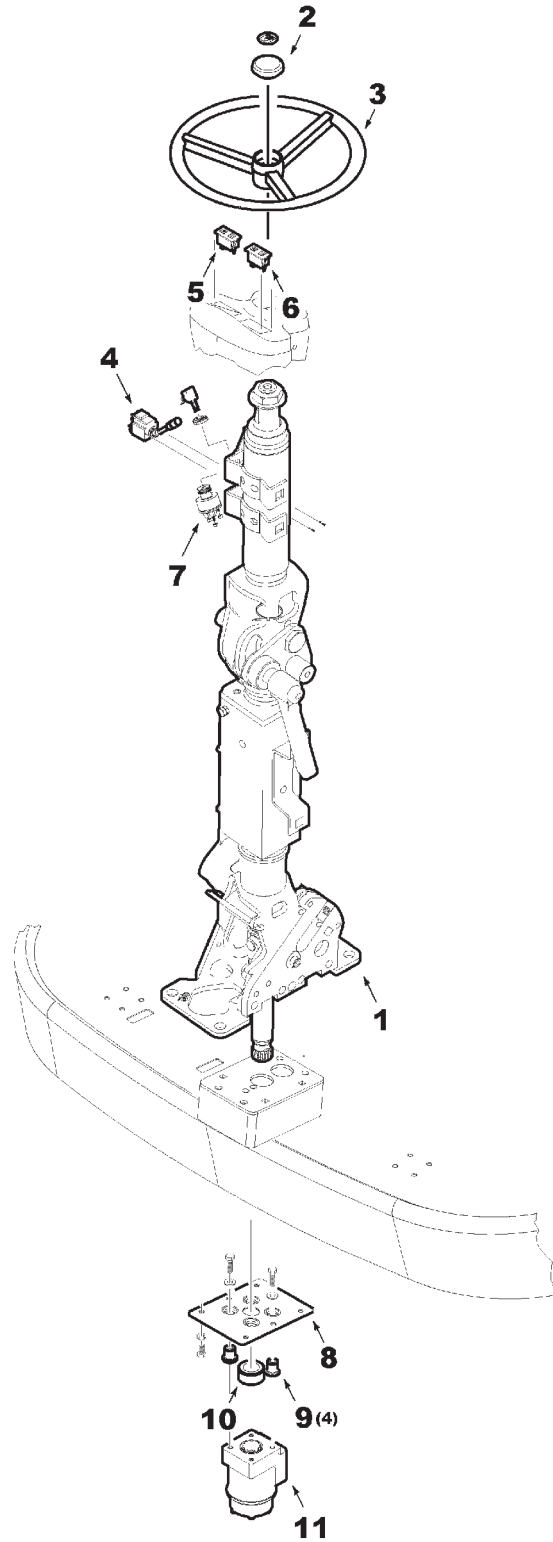
CHALLENGER 670 COMBINE
CAB

MIRRORS & EXTREMITY LIGHTS
MANUAL & ELECTRIC ADJUST

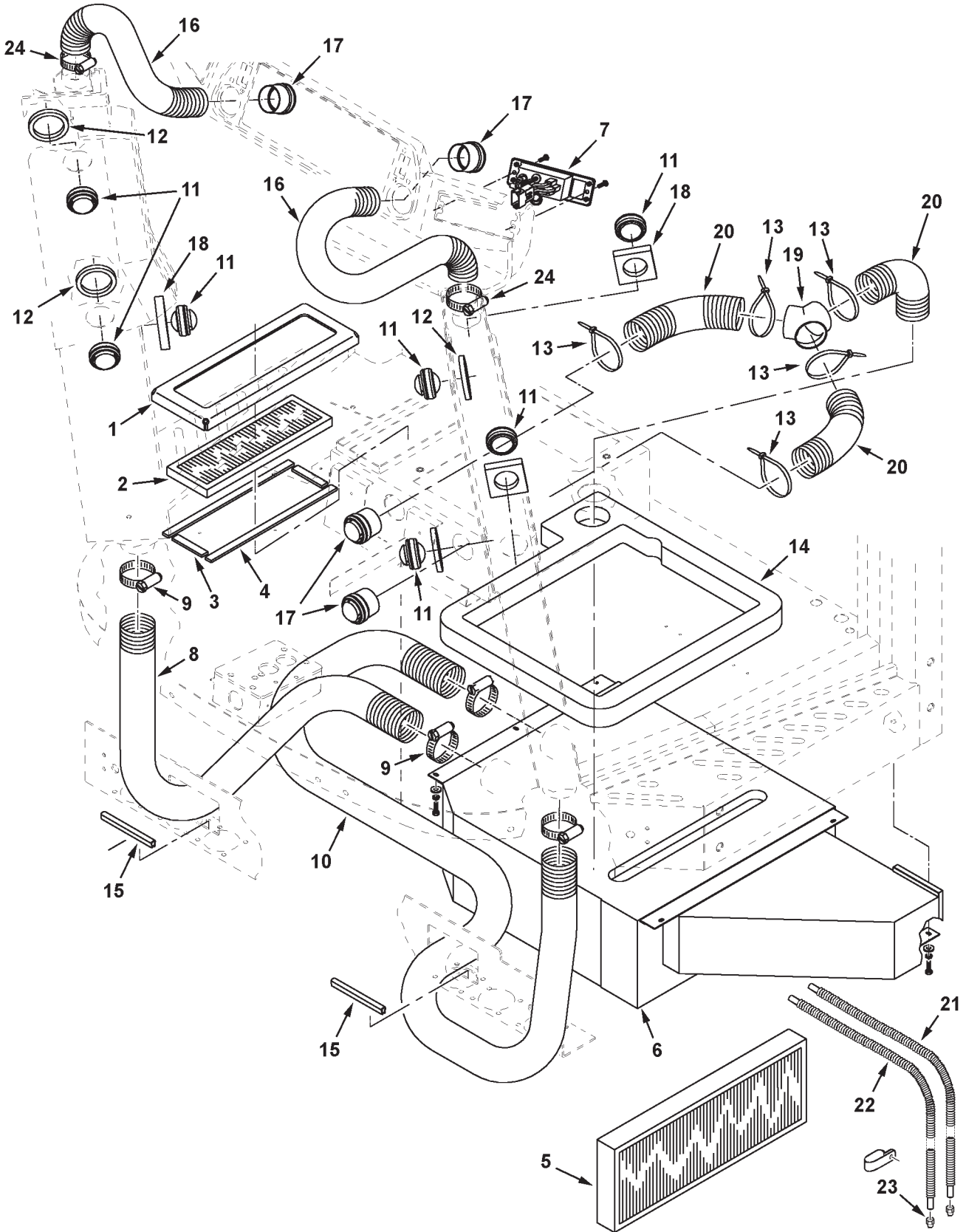


CHALLENGER 670 COMBINE
CAB

CONTROL
STEERING COLUMN



HVAC
PRESSURIZER UNIT & DUCTING



**CHALLENGER 670 COMBINE
ELECTRICAL**

149

**ENGINE & BATTERY WIRING
(PRIOR S/N HR36101)**

ITEM	NUMBER	QTY	DESCRIPTION
17	71398103	1	CABLE, POSITIVE BATTERY
18	71398104	1	CABLE, NEGATIVE BATTERY
	70925094	2	TIE, SELF-LOCKING .184 X 7.31
	Y702951	1	SCREW, HEX WSHR HD, 3/8-16 X 3/4 (GRND LUG ATTACH)
19	148203M1	3	CLAMP, BATT. CABLE
20	101646M1	3	PLATE, TOP COVER
21	70921719	1	CAPSCREW, 5/16-18 X 2-1/2
	70918431	1	WASHER, 1/2, WIDE
	70917356	1	LOCKWASHER, 5/16
	70917372	1	HEXNUT, 5/16-18
22	71337414	1	BRACKET
23	7771751	1	CAPSCREW, 5/16-18 X 3-1/4
	70917356	1	LOCKWASHER, 5/16
	70917372	1	HEXNUT, 5/16-18
	70918431	1	WASHER, 1/2, WIDE
	6586259	1	SPACER, .75 OD X .391 ID X 1 LG
24	71396957	1	ALTERNATOR, 150A
	129-5096	1	PULLEY, ALTERNATOR
	72506418	3	COVER, TERMINAL
	70232758	1	COVER, TERMINAL
25	71393718	1	SENSOR, TEMPERATURE
	70936326	1	O-RING, .072 X .414 ID, VITON
27	71389746	1	SWITCH, ROTOR PRESSURE
	70921885	1	O-RING, .078 X .468 ID
28	71398826	1	BRACKET, BATT. CABLE
	70921965	2	CAPSCREW, 3/8-16 X 3/4
	704247	2	NUT, HEX FLNG SERR LOCK, 3/8-16
	7771744	1	CAPSCREW, 5/16-18 X 2-1/4
	Y705020	1	LOCKWASHER, 5/16 REG
	70917372	1	NUT, 5/16-18 REG
29	8027427	1	GROMMET

CHL0008
PR: 118

**CHALLENGER 670 COMBINE
ELECTRICAL**

177

**SERVICE CONNECTORS
HARNESS REPAIR**

ITEM	NUMBER	QTY	DESCRIPTION
-			LISTED PARTS USED FOR REPAIR OF WIRE HARNESSES
1	71390804	AR	CONNECTOR, 26 WAY, DEUTSCH, DRC26-50S-05
2	71390806	AR	REMOVAL TOOL, DEUTSCH, 0411-240-2005
3	71390809	AR	PROBE, EXTRTN TOOL, SZ 16, 0411-310-1605
4	71390810	AR	CONNECTOR, 36 WAY, DEUTSCH, HD36-24-23SN
5	71390813	AR	CONNECTOR, 3 WAY, DEUTSCH, DT06-3S-P012
6	71390815	AR	WEDGE CONNECTOR, DEUTSCH, W3S-P012
7	71390816	AR	CONNECTOR, 12 WAY, DEUTSCH, DT06-12SA-P012
8	71390817	AR	WEDGE CONNECTOR, DEUTSCH, W12S-P012
9	71390820	AR	PLUG CONNECTOR, 15 WAY, AMP, 1-640523-0
10	71390821	AR	RECEPTACLE CONN, 12 WAY, AMP, 1-640512-0
11	71390822	AR	PLUG CONNECTOR, 12 WAY, AMP, 1-640522-0
12	71390823	AR	RECEPTACLE CONN, 9 WAY, AMP, 1-640511-0
13	71390824	AR	PLUG CONNECTOR, 9 WAY, AMP, 1-640521-0
14	71390825	AR	RECEPTACLE CONN, 6 WAY, AMP, 1-640510-0
15	71391001	AR	PLUG CONNECTOR, 6 WAY, AMP, 1-640520-0
16	71391002	AR	PIN TERMINAL, 10 PCS, AMP, 645545-1
17	71391003	AR	RECEPTACLE TERML, 10 PCS, AMP, 641300-1
18	71397676	AR	RECEPT CONN, 9 WAY, DEUTSCH, HD14-9-96P
19	71397677	AR	PLUG CONNECTOR, 9, DEUTSCH, HD16-9-96S
20	71397678	AR	CONNECTOR, 3 WAY, DEUTSCH, DT04-3P-E004
21	71397679	AR	WEDGE LOCK, 3 TERM'L, DEUTSCH, W3P
22	71397680	AR	CONNECTOR, 7 PIN FEM, COLE HERSEE, 12301
23	71397681	AR	RECEPT CONN, 8 PIN, DEUTSCH, DTM04-08PB
24	71397682	AR	PLUG CONNECTOR, DEUTSCH, HDP26-18-14-SE
25	71397683	AR	PLUG CONNECTOR, 40, DEUTSCH, DRC18-40SB
26	71397684	AR	SUPERSEAL CONNECTOR, AMP, 282087-1
27	71397685	AR	TERMINAL, AMP, 183025-1
28	71397686	AR	SEAL-WIRE, AMP, 281934-2
29	71397687	AR	CONNECTOR, 7 PIN, COLE HERSEE, 12300
30	71397688	AR	CONNECTOR, 6 PIN, PACKARD, 12124107
31	71397689	AR	CONNECTOR, 12 PIN, CARLINGSWITCH, LC1-02
32	71397690	AR	CONNECTOR, 3 PIN, PACKARD, 12162280
33	71397691	AR	CONNECTOR, 5 PIN, PACKARD, 12110539
34	71397692	AR	TERM. METRI-PK, 10 PCS, PACKARD, 12129409
35	71397693	AR	SEAL, METRI-PK, 10 PCS, PACKARD, 12015359
36	71397695	AR	SEAL, METRI-PK, 10 PCS, PACKARD, 1201539
37	71397697	AR	SEC LOCK, PACKARD, 12110540
38	71397698	AR	CONNECTOR, 3 PIN, PACKARD, 12162182
39	71397701	AR	SEAL, 3 WAY, PACKARD, 12065285
40	71397702	AR	TERMINAL, 10 PCS, DEUTSCH, 1062-16-0144
41	71397703	AR	RESISTOR, 3 WAY, DEUTSCH, DT04-3P-P006

CONTINUED

XXXXXXXXX
PR: t05b16k26a0004