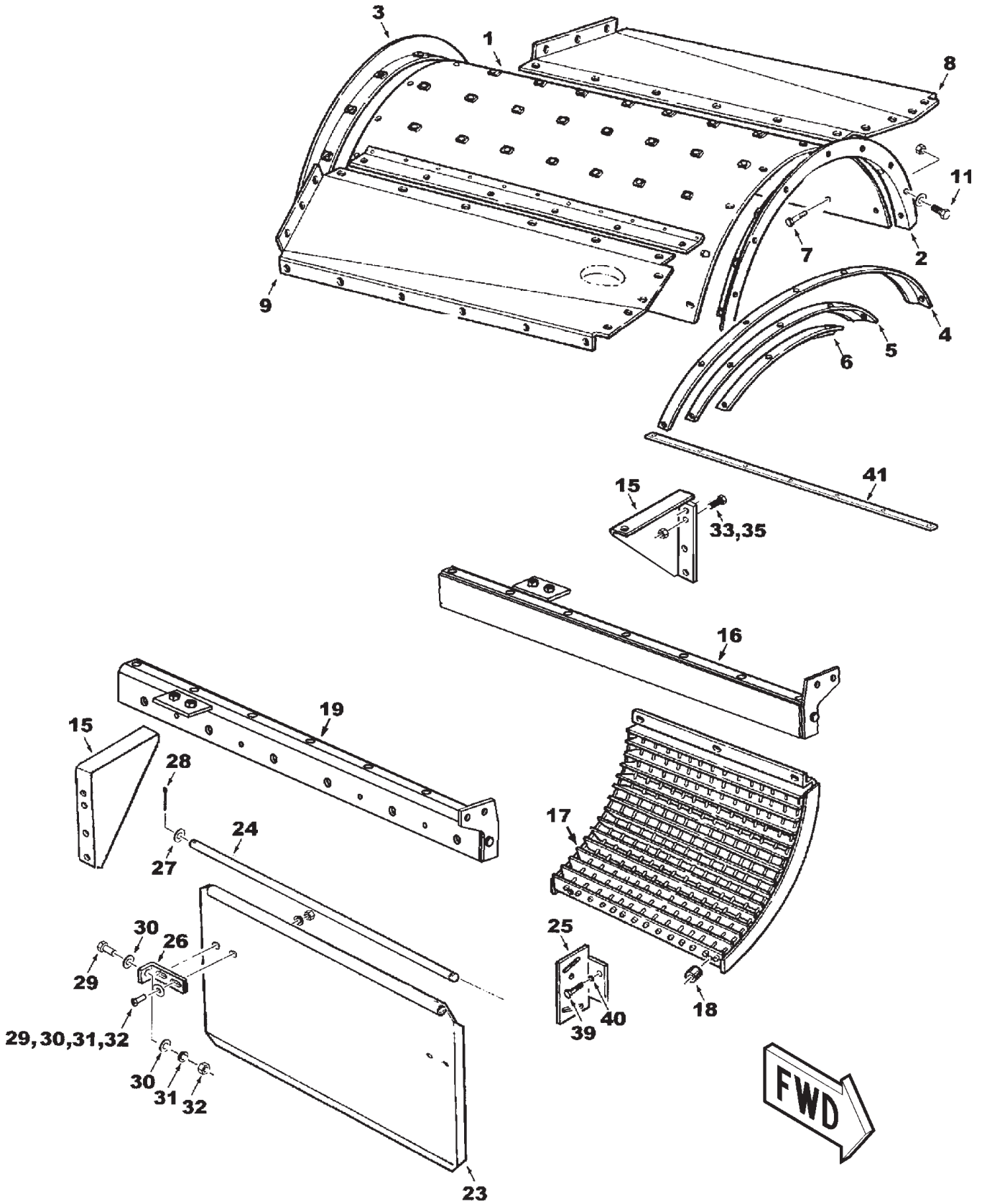


INDEX

Part No.	Page	Grid	Part No.	Page	Grid	Part No.	Page	Grid	Part No.	Page	Grid
2452270W1	383	1-C 17	2544120W1	265	1-C 5	2615233W92	359	1-C 14	2813878M1	129	1-B 15
2460840W2	379	1-C 16	2545270W1	257	1-C 4	2615233W92	573	1-D 12	28280440	197	1-B 22
2460840W2	383	1-C 17	2545270W1	331	1-C 12	2615233W92	579	1-D 12	286501M1	487	1-D 3
2464250W1	331	1-C 12	2545270W1	389	1-C 17	2616131W91	547	1-D 9	286501M1	579	1-D 12
2466861W91	265	1-C 5	2545270W1	391	1-C 18	2616141W91	547	1-D 9	293766M1	153	1-B 18
2466960W2	265	1-C 5	2545270W1	581	1-D 13	2618650W2	333	1-C 12	293766M1	177	1-B 20
2467220W1	263	1-C 5	2545471W91	265	1-C 5	2618670W1	277	1-C 6	293817M91	331	1-C 12
2467220W1	275	1-C 6	2545511W91	265	1-C 5	2618680W1	277	1-C 6	293888M1	503	1-D 5
2467220W1	583	1-D 13	2547531W91	267	1-C 5	2619180W1	289	1-C 7	293888M1	505	1-D 5
2467230W1	263	1-C 5	2547540W1	267	1-C 5	2619180W1	297	1-C 8	294148M91	387	1-C 17
2467230W1	275	1-C 6	254763M1	267	1-C 5	2619220W1	261	1-C 5	29780X	355	1-C 14
2467230W1	583	1-D 13	2551250W1	333	1-C 12	2619230W1	259	1-C 4	29780X	365	1-C 15
2469711W91	281	1-C 7	2551250W1	339	1-C 12	2619240W1	259	1-C 4	29780X	581	1-D 13
2469760W1	281	1-C 7	255301M2	51	1-B 8	2619251W91	259	1-C 4	3L-9656	43	1-B 7
2472260W1	341	1-C 13	2553251W91	365	1-C 15	2619280W1	259	1-C 4	3L-9656	47	1-B 7
2472450W1	265	1-C 5	2553271W92	367	1-C 15	2619380W1	291	1-C 8	30-3076830	149	1-B 17
2474120W1	337	1-C 12	2553290W1	367	1-C 15	2619560W1	253	1-C 4	30-3076830	583	1-D 13
2474130W1	337	1-C 12	2553300W1	367	1-C 15	2619570W1	341	1-C 13	30-3076830	583	1-D 13
2474140W1	325	1-C 11	2553320W1	365	1-C 15	2620021W91	357	1-C 14	3001429X1	297	1-C 8
2474140W1	327	1-C 11	2553560W1	289	1-C 7	2620021W91	363	1-C 15	3001429X1	305	1-C 9
2474140W1	335	1-C 12	2553560W1	343	1-C 13	2620130W1	251	1-C 4	3008469	531	1-D 8
2474410W1	325	1-C 11	2553560W1	345	1-C 13	2620180W1	251	1-C 4	3009340X1	303	1-C 9
2474660W1	333	1-C 12	2553560W1	581	1-D 13	2620180W1	253	1-C 4	3009495X1	289	1-C 7
2476070W1	341	1-C 13	2554680W1	347	1-C 13	2620190W1	303	1-C 9	3009495X1	293	1-C 8
2476203W1C	373	1-C 16	2554761W91	281	1-C 7	2620853W91	343	1-C 13	3009495X1	297	1-C 8
2476230W1	373	1-C 16	2554761W91	581	1-D 13	2620853W91	345	1-C 13	3009627X1	297	1-C 8
2476240W1	347	1-C 13	2555130W1	357	1-C 14	2620871W91	343	1-C 13	3009627X1	305	1-C 9
2476240W1	361	1-C 15	2555170W1	357	1-C 14	2620920W1	343	1-C 13	3009695X1	301	1-C 9
2476240W1	373	1-C 16	2555180W1	357	1-C 14	2624230W1	389	1-C 17	3009695X1	303	1-C 9
2479620W1	261	1-C 5	2555190W1	357	1-C 14	2625050W1	549	1-D 9	3009695X1	321	1-C 11
2479640W1	261	1-C 5	2555190W1	443	1-C 23	2625050W1	553	1-D 10	3009920X1	321	1-C 11
2485470W1	289	1-C 7	2555190W1	447	1-C 23	2625050W1	561	1-D 11	3010442X1	303	1-C 9
2485470W1	377	1-C 16	2555200W1	357	1-C 14	2625940W1	43	1-B 7	3010636X1	39	1-B 6
2486140W1	377	1-C 16	2555211W91	357	1-C 14	2625940W1	47	1-B 7	3010842X1	303	1-C 9
2486150W1	377	1-C 16	2555231W91	357	1-C 14	2626120W1	257	1-C 4	3019124X1	301	1-C 9
2486150W1	381	1-C 17	2555310W1	333	1-C 12	2627000W1	257	1-C 4	3019124X1	321	1-C 11
2486160W1	377	1-C 16	2555401W91	347	1-C 13	2627000W1	583	1-D 13	3019125X1	301	1-C 9
2486160W1	381	1-C 17	2556880W1	507	1-D 5	2628221W91	289	1-C 7	31-1588410	341	1-C 13
2486170W2	377	1-C 16	2556880W1	545	1-D 9	2628310W1	289	1-C 7	31-1588410	577	1-D 12
2486170W2	381	1-C 17	2559763W91	335	1-C 12	2628321W92	309	1-C 9	31-2446490	343	1-C 13
2488980W1	259	1-C 4	2559900W1	335	1-C 12	2628340W1	293	1-C 8	31-2446490	581	1-D 13
2489330W1	283	1-C 7	2563800W1	203	1-B 23	2629073W91	499	1-D 4	31-2455700	293	1-C 8
2489920W1	283	1-C 7	2563800W1	205	1-B 23	2629080W1	501	1-D 5	31-2455700	309	1-C 9
2489940W1	283	1-C 7	2571510W1	349	1-C 13	2629511W93	389	1-C 17	31-2455700	581	1-D 13
2492063W91	337	1-C 12	2571520W1	349	1-C 13	2629570W1	339	1-C 12	31-2530050	45	1-B 7
2493000W1	377	1-C 16	2573180W1	203	1-B 23	2629720W1	489	1-D 3	31-2530050	49	1-B 7
2493870W1	379	1-C 16	2573370W1	311	1-C 10	2630100W2	291	1-C 8	31-2530050	179	1-B 20
2493870W1	383	1-C 17	2573610W1	311	1-C 10	2630100W2	293	1-C 8	31752	535	1-D 8
2495780W1	177	1-B 20	2577893W91	45	1-B 7	2630210W2	501	1-D 5	329951M91	573	1-D 12
2497273W91	281	1-C 7	2580580W1	547	1-D 9	2630960W1	503	1-D 5	3304008M1	505	1-D 5
2497273W91	579	1-D 12	2580593W91	547	1-D 9	2631400W1	311	1-C 10	339025X1	321	1-C 11
2498390W1	275	1-C 6	2581690W1	325	1-C 11	2631433W91	547	1-D 9	339375X1	321	1-C 11
2498390W1	583	1-D 13	2588071W92	331	1-C 12	2631690W1	317	1-C 10	339376X1	289	1-C 7
2502830W1	261	1-C 5	2588510W1	251	1-C 4	2631700W1	317	1-C 10	339376X1	293	1-C 8
2502850W1	259	1-C 4	2590650W1	341	1-C 13	2632680W1	47	1-B 7	339376X1	297	1-C 8
2502891W91	261	1-C 5	2591531W91	359	1-C 14	2632690W1	417	1-C 20	339376X1	305	1-C 9
2503350W1	291	1-C 8	2601260W1	377	1-C 16	2633681W2	401	1-C 19	339456X1	321	1-C 11
2506040W1	189	1-B 21	2601260W1	397	1-C 18	2634840W1	371	1-C 16	339666X1	87	1-B 11
2506040W1	193	1-B 22	2605880W91	573	1-D 12	2635230W1	391	1-C 18	339768X1	305	1-C 9
2506050W1	189	1-B 21	2608280W1	339	1-C 12	2635250W1C	415	1-C 20	339768X1	253	1-C 4
2506050W1	193	1-B 22	2608290W1	339	1-C 12	2635460W1	391	1-C 18	352976X1	377	1-C 16
2513840W1	547	1-D 9	2609080W1	33	1-B 6	2635690W1	573	1-D 12	352976X1	381	1-C 17
2517880W1	261	1-C 5	2612870W1	259	1-C 4	2636000W1	325	1-C 11	353062X1	213	1-B 24
2517890W1	261	1-C 5	2612880W1	259	1-C 4	2636010W1	325	1-C 11	353426X1	113	1-B 14
2522600W1	259	1-C 4	2612910W1	259	1-C 4	2636010W1	359	1-C 14	353436X1	71	1-B 10
252502M1	267	1-C 5	2612961W91	259	1-C 4	2636170W1	257	1-C 4	353436X1	243	1-C 3
2526120W1	377	1-C 16	2613771W91	341	1-C 13	2636210W1	257	1-C 4	353438X1	475	1-D 2
2526120W1	381	1-C 17	2614090W1	341	1-C 13	2636631W91	371	1-C 16	353438X1	481	1-D 3
2530670W1	267	1-C 5	2614090W1	345	1-C 13	2636870W2	263	1-C 5	353446X1	321	1-C 11
2530670W1	277	1-C 6	2615101W92	333	1-C 12	2636890W1	315	1-C 10	353505X1	53	1-B 8
2531340W1	267	1-C 5	2615120W1	333	1-C 12	2637890W1	291	1-C 8	353509X1	139	1-B 16
2531671W91	259	1-C 4	2615130W1	333	1-C 12	26674	549	1-D 9	353538X1	473	1-D 2
2531681W91	259	1-C 4	2615140W2	333	1-C 12	26674	553	1-D 10	353609X1	229	1-C 1
2537720W1	331	1-C 12	2615160W1	337	1-C 12	27342	59	1-B 8	353609X1	231	1-C 2
2538810W1	277	1-C 6	2615181W91	337	1-C 12	27342	65	1-B 9	353613X1	555	1-D 10

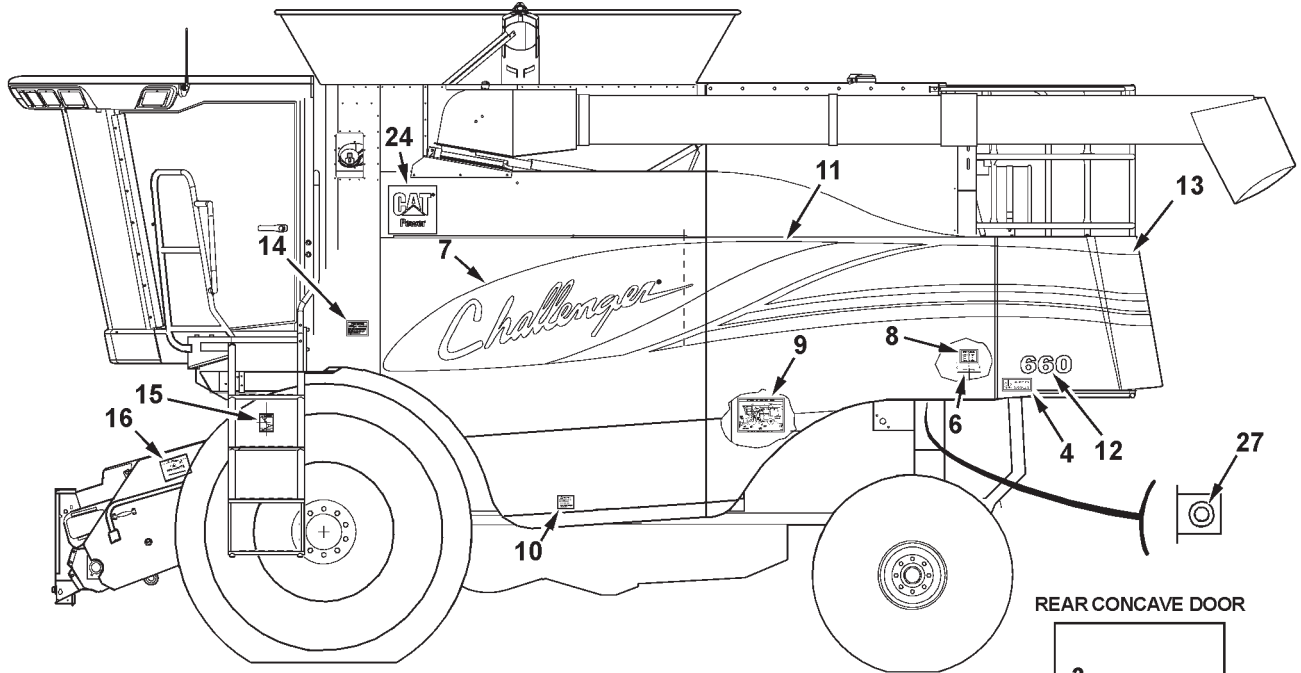
CHALLENGER 660 COMBINE
PROCESSOR

SEPARATOR GRATES

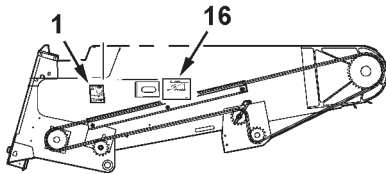
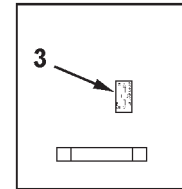


CHALLENGER 660 COMBINE
DECALS & LABELS

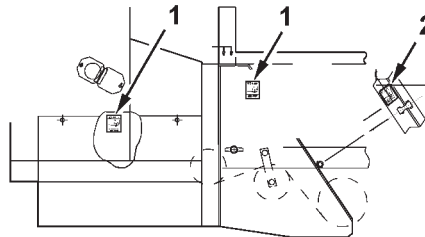
LABELS
LEFT SIDE & FRONT



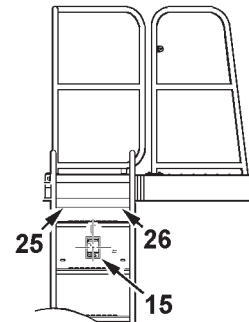
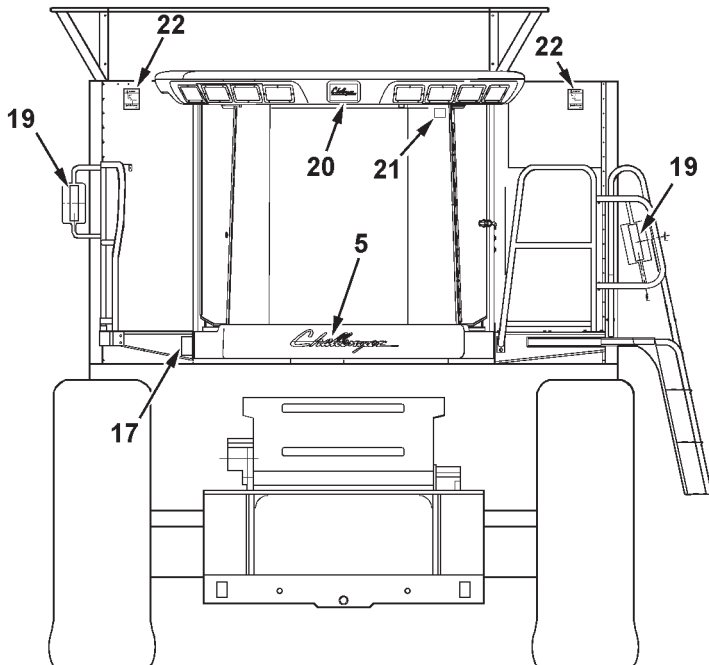
REAR CONCAVE DOOR



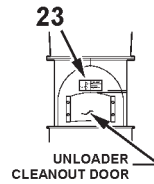
HEADER DRIVES-LEFT



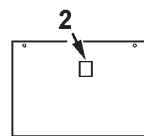
LEFT SHIELDS (BEHIND TIRE)



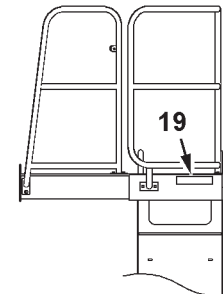
REAR



UNLOADER
CLEANOUT DOOR



MUD SHIELD-LEFT



STAIRCASE LADDER, FRONT

CHL0010

**CHALLENGER 660 COMBINE
ENGINE**

35

**ENGINE & MOUNTS
(PRIOR S/N HR87101)**

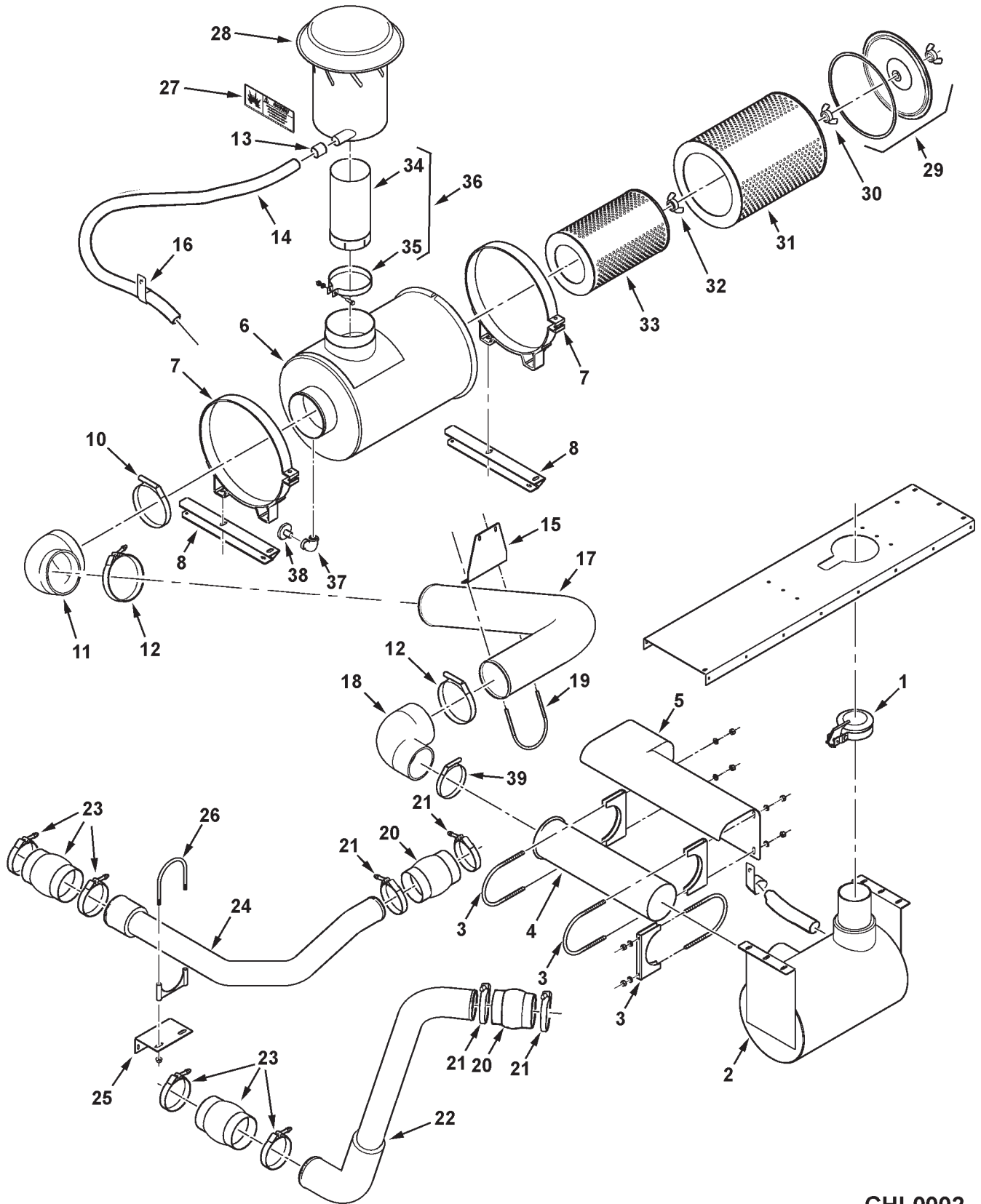
ITEM	NUMBER	QTY	DESCRIPTION
1	71396759	1	ENGINE, CAT C9, 285 HP (SOURCE: CAT)
2	71396762	1	FAN BLADE ASY.
	7E-6293	1	SPACER, FAN (SOURCE: CAT)
	118-0386	1	SPACER, FAN (SOURCE: CAT)
	70950981	6	CAPSCREW, M8-1.25 X 90, CL8.8
	1703321	6	WASHER, PLAIN, M8
3	71396957	1	ALTERNATOR, 150 AMP (LEECE NEVILLE)
	129-5096	1	PULLEY, ALT.
	7883432	1	SCREW, HEX FLNG, 1/2-13 X 1-3/4 GR8
4	71395913	1	BRACKET WLDMT, L FRONT ENG
	70924744	1	CAPSCREW, 5/8-11 X 1-1/2 GR5
	Y705582	1	WASHER, HARD, 5/8
	70950453	4	CAPSCREW, M12-1.75 X 35, CL 8.8
	Y705624	4	WASHER, 1/2 NARROW
	Y705046	4	LOCKWASHER, 1/2 REG
5	71395918	1	BRACKET WLDMT, L REAR ENG
	70924744	1	CAPSCREW, 5/8-11 X 1-1/2 GR5
	Y705582	1	WASHER, HARD, 5/8
	70950453	4	CAPSCREW, M12-1.75 X 35, CL 8.8
	Y705624	4	WASHER, 1/2 NARROW
	Y705046	4	LOCKWASHER, 1/2 REG
6	71396707	1	BRACKET WLDMT, R FRONT ENG
	70924744	1	CAPSCREW, 5/8-11 X 1-1/2 GR5
	Y705582	1	WASHER, HARD, 5/8
	700708355	4	CAPSCREW, M16-2 X 40, CL 10.9
	70917373	4	LOCKWASHER, 5/8 REG
	705632	4	WASHER, 5/8 NARROW
7	71396709	1	BRACKET WLDMT, R REAR ENG
	70924744	1	CAPSCREW, 5/8-11 X 1-1/2 GR5
	Y705582	1	WASHER, HARD, 5/8
	700708355	4	CAPSCREW, M16-2 X 40, CL 10.9
	70917373	4	LOCKWASHER, 5/8 REG
	705632	4	WASHER, 5/8 NARROW
8	71396979	2	SUPPORT RAIL WLDMT, ENGINE
	70920415	8	CAPSCREW, 3/8-16 X 1-1/4 GR5
	70917378	4	WASHER, 3/8 WIDE
	Y704734	8	NUT, HEX FLANGE TOP LOCK, 3/8-16
9	71386997	2	GUSSET, ENGINE RAIL
	70920415	10	CAPSCREW, 3/8-16 X 1-1/4 GR5
	Y704734	10	NUT, HEX FLANGE TOP LOCK, 3/8-16
10	102302M1	2	GUSSET, ENGINE RAIL
	70921210	8	CAPSCREW, 3/8-16 X 1 GR5
	Y704734	8	NUT, HEX FLANGE TOP LOCK, 3/8-16
11	71389405	1	SUB-FRAME WLDMT, ENGINE, LH
	70920415	8	CAPSCREW, 3/8-16 X 1-1/4 GR5
	70917378	8	WASHER, 3/8 WIDE
	Y704734	8	NUT, HEX FLANGE TOP LOCK, 3/8-16
12	71396992	1	SUB-FRAME WLDMT, ENGINE & RAD, RH
	70920415	8	CAPSCREW, 3/8-16 X 1-1/4 GR5
	70917378	8	WASHER, 3/8 WIDE
	Y704734	8	NUT, HEX FLANGE TOP LOCK, 3/8-16
13	71382731	2	BRACE, TUBE
	70922664	2	CAPSCREW, 5/8-11 X 2 GR5
	70917373	2	LOCKWASHER, 5/8 REG
	70932665	2	NUT, 5/8-11 REG

CONTINUED

CHL0001
PR: 24

CHALLENGER 660 COMBINE
ENGINE

AIR INTAKE & EXHAUST
(PRIOR S/N HR87101)



CHALLENGER 660 COMBINE
ENGINE

49

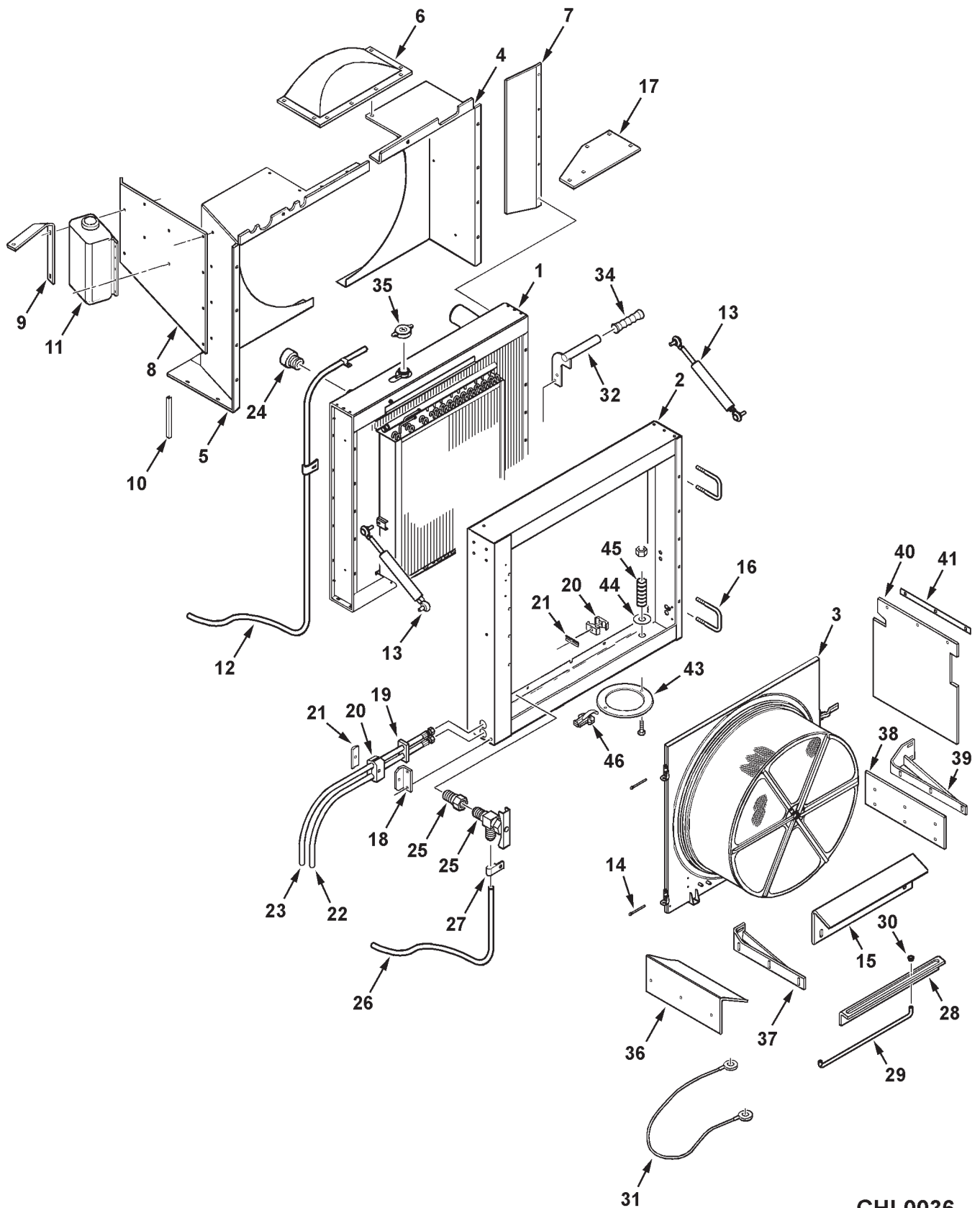
AIR INTAKE & EXHAUST
(EFF. S/N HR87101)

ITEM	NUMBER	QTY	DESCRIPTION
24	71395743	1	TUBE, AIR, CAC UPPER
25	71406608	1	ANGLE BRKT, UPPER TUBE SUPPORT
	70921332	2	CAPSCREW, 5/16-18 X 3/4 GR5
	70917356	2	LOCKWASHER, 5/16 REG
	Y705608	2	WASHER, 5/16 NARROW
26	722769	1	CLAMP, 3" TUBE
27	71397881	1	REDUCER, 5" TO 4" DIA
28	71397886	1	PRE CLEANER
29	71368963	1	COVER ASY, (INCL. NUT, CLIP & GASKET)
	71374564	1	WING NUT
	71374565	1	CLIP
	71369877	1	GASKET, COVER
30	70269246	1	NUT ASY
31	71368961	1	ELEMENT, PRIMARY, FILTER
32	70257297	1	NUT ASY, SAFETY
33	71368962	1	ELEMENT, FILTER, SAFETY
34	71397887	1	REDUCER, INLET, 11 TO 8" DIA (PRIOR S/N HP36101)
35	71397884	1	CLAMP, HOSE, WORM (PRIOR S/N HP36101)
36	71397885	1	CLAMP, HOSE, WORM (PRIOR S/N HP36101)
37	71399697	1	SEAL, AIR CLEANER (EFF. S/N HP36101)
38	70915955	1	ELBOW, 90 DEG FEM. 1/8-27 NPTF
39	31-2530050	1	SWITCH, AIR CLEANER VACUUM

CHL0023
PR: t06a25h54a0002

CHALLENGER 660 COMBINE ENGINE

COOLING SYSTEM (EFF. S/N HR87101)



**CHALLENGER 660 COMBINE
ENGINE**

71

**ROTARY SCREEN
MOTOR & DRIVE**

ITEM	NUMBER	QTY	DESCRIPTION
1	71396755	1	MOTOR, HYDRAULIC (INCLUDES KEY)
	71396758	AR	SEAL KIT (SOLE SERVICE COMPONENT)
	70910224	1	KEY, WOODRUFF, 5/32 X 5/8 DIA
	7883408	2	SCREW,HEX FLANGE, 3/8-16 X 1-1/4 GR8
	Y705533	2	WASHER, HARD, .406 X .781 X .065
	Y704734	2	NUT, HEX FLNG TOP LK, 3/8-16 GR G
2	71395749	1	SHEAVE, DRIVE
	Y705046	1	LOCKWASHER, 1/2 REG
	7704000	1	JAM NUT, 1/2-20 GR2
3	71396756	1	ARM ASY, IDLER
	3728019M1	2	BUSHING
	70914687	1	LUBE FTG, 1/4-28, STRAIGHT
4	8701781	1	SCREW, SOCKET HD, SHOULDER,1/2 X 3/8-16
	705541	2	WASHER, HARD, .531 X 1.03 X .120
	Y704734	1	NUT, HEX FLNG TOP LK, 3/8-16 GR G
5	700714064	1	SPRING
	70931277	2	LOCKNUT, SERR FLNG, 5/16-18
	7883333	1	SCREW, HEX WSHR HD, 5/16-18 X 1"
6	70529432	1	IDLER, 2-3/4 DIA, FLAT
	705541	2	WASHER, HARD, .531 X 1.03 X .120
	Y704742	1	NUT, HEX FLNG TOP LK, 1/2-13 GR G
	70922645	1	CAPSCREW, 1/2-13 X 2-1/4 GR5
7	71391039	1	SHAFT WLDMT, ROTARY SCREEN
8	71395728	1	PLATE, BEARING
	Y704726	4	NUT, HEX FLNG TOP LK, 5/16-18 GR G
	7700461	4	BOLT, RND HD SQ NK, 5/16-18 X 3/4
9	71308951	2	BEARING, BALL, SPHERICAL
10	71133361	4	FLANGE, BEARING
	Y704726	6	NUT, HEX FLNG TOP LK, 5/16-18 GR G
	70921332	3	CAPSCREW, 5/16-18 X 3/4 GR5
	7700461	3	BOLT, RND HD SQ NK, 5/16-18 X 3/4
11	71396753	1	SHEAVE, DRIVEN
12	61002	1	KEY, 3/16 SQ X 1"
13	71393636	1	BLADE, WINDMILL
	Y705566	7	WASHER, HARD, .812 X 1.5 X .140
	70919332	1	LOCKWASHER, 3/4 REG
	353436X1	1	JAM NUT, 3/4-16 GR2
14	360202X91	1	CONNECTOR, 9/16-18 JIC X 3/4-16 ORB
	70921349	1	O-RING, .087 X .644 ID
16	8746018	1	CONNECTOR, 9/16-18 JIC X 7/8-14 ORB
	70921205	1	O-RING, .097 X .755 ID
17	71397634	1	HOSE ASY, HYDRAULIC
18	71397633	1	HOSE ASY, HYDRAULIC
19	700717539	2	ELBOW, 90 D, BLKHD, 9/16-18 JIC MALE
20	71396754	1	BELT, ROTARY SCREEN DRIVE (69.89")

MC00294
PR: 46

**CHALLENGER 660 COMBINE
CAB**

95

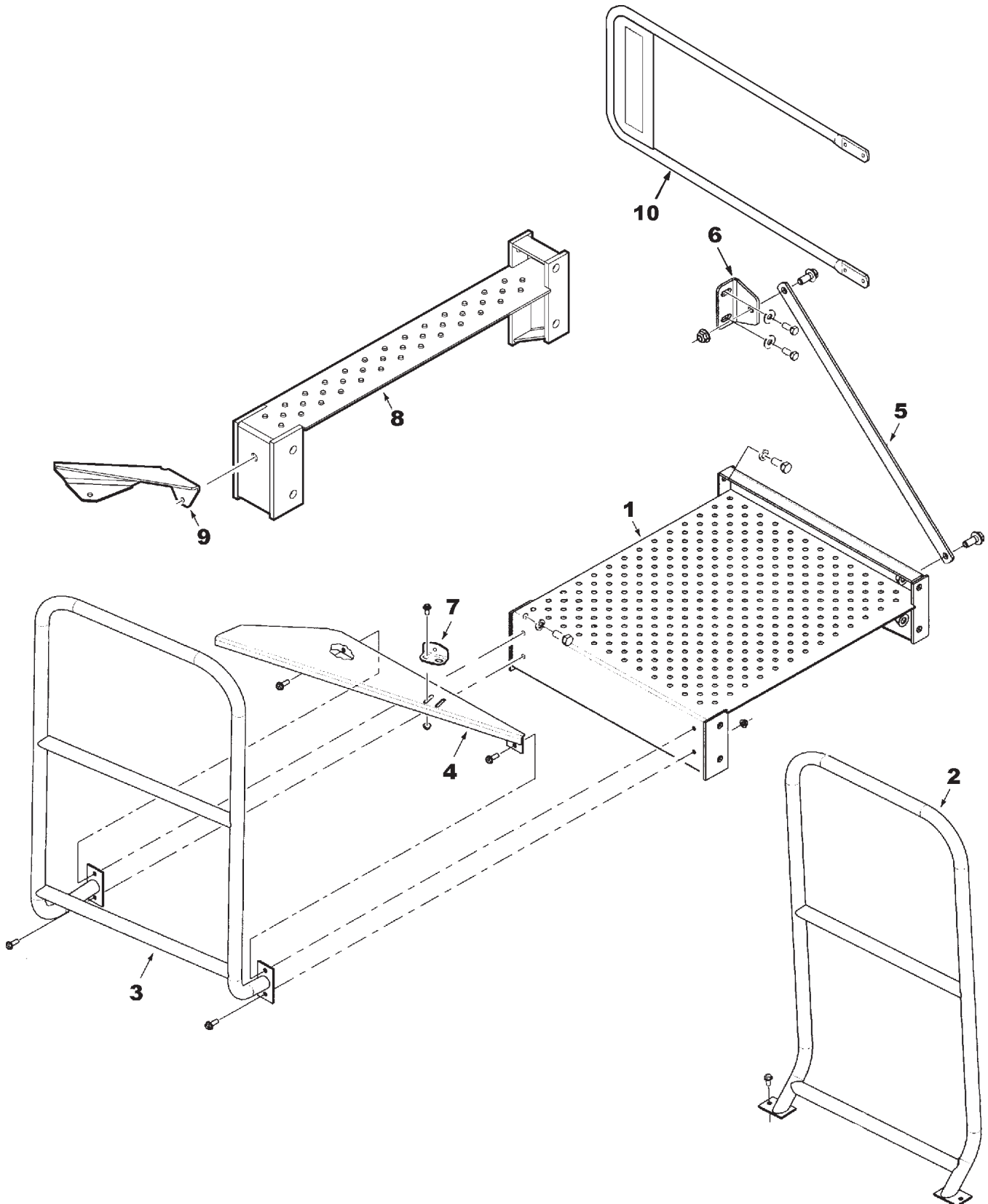
PIVOTING LADDER LH

ITEM	NUMBER	QTY	DESCRIPTION
1	71400628	1	TUBE WLDMT, GRAB
	7703838	1	CAPSCREW, 5/16-18 X 1-3/4
	6514772	1	SPACER
	7704117	1	NUT, HEX TOP LOCK, 5/16-18
	70925960	1	SCR,PHILLIPS PAN HD, 5/16-18 X 1-1/2
	Y705525	1	WASHER, 5/16 HARD
	70931277	1	NUT, HEX FLNG SERR, 5/16-18
2	70928304	1	GROMMET
3	71396745	1	ROD, OUTER LATCH
4	71397515	1	BRACKET, TREAD SUPPORT
5	71396743	2	BALL, TRANSFER, 30MPC
6	71396677	2	SPACER, THREADED
7	8050866	2	BEARING, CAM FOLLOWER
	873364	2	CAPSCREW, 1/2-20 X 3/4
	52167	2	BUSHING, 1/2 ID X 7/8 OD X 18 GA
8	71401710B	1	LADDER WLDMT, PLATFORM
9	71362525	4	ANCHOR STRAP (QTY 2, S/N HN87101 THRU S/N HP87155, PROD'N MID-RUN)
10	71396735	2	PLATE, FLEXIBLE, PARALLEL SIDES
	71400641	2	PLATE,FLEXIBLE, TAPERED PROFILE (EFF.S/N HN87101 THRU HP87155 PROD'N MID-RUN)
	7700107	18	BOLT, RD HD SQ NK, 5/16-18 X 1-1/4
	70931277	18	LOCKNUT, HEX SERR. FLANGE, 5/16-18
11	71394472	2	TREAD WLDMT, STEP (QTY 1, S/N HN87101 THRU S/N HP87155, PROD'N MID-RUN)
12	71397510	1	LATCH ASY
	700718807	2	SCR,HX SCKT FLAT HD,SPL, 5/16-18 X 1
13	71397511	1	CABLE ASY, LATCH RELEASE
	7703457	3	CAPSCREW, 1/4-20 X 3/4
	1703354	2	NUT, HEX FLANGE TOP LOCK, 1/4-20
	705012	1	LOCKWASHER, 1/4
	353769X1	3	WASHER, HARDENED, 1/4
	70920438	2	JAM NUT, 5/16-24
14	766410	1	CLEVIS
	70927401	1	CAPSCREW, 1/4-20 X 1
	1703354	1	NUT, HEX FLANGE TOP LOCK, 1/4-20
15	71397255	1	PEDAL, FLOOR LATCH
	7703838	1	CAPSCREW, 5/16-18 X 1-3/4
	Y704726	1	NUT, HEX FLANGE TOP LOCK, 5/16-18
16	71400630	2	ANCHOR STRAP, BOTTOM (EFF. S/N HN87101 THRU S/N HP87155, PROD'N MID-RUN)
17	71400631	1	TREAD WLDMT, BOTTOM (EFF. S/N HN87101 THRU S/N HP87155, PROD'N MID-RUN)

MC00365
PR: 62

CHALLENGER 660 COMBINE
CAB

DECK EXTENSION
145" TREAD AND DUALS



**CHALLENGER 660 COMBINE
CAB**

115

BRAKE MASTER CYLINDER

ITEM	NUMBER	QTY	DESCRIPTION
-	71378364	1	MASTER CYLINDER, BRAKE
1	71389509	2	VALVE ASSEMBLY, FAST FILL
2	-----	1	BODY AND TUBE SEAT ASSEMBLY (ORDER BRAKE MASTER CYLINDER)
3	71389511	2	PISTON ASSEMBLY
4	71389512	1	CONNECTOR AND TUBE SEAT ASSEMBLY
5	71389513	2	BLEED SCREW
6	74906743	2	PUSH ROD
7	71389514	2	BOOT
8	71389515	2	RETAINING RING
9	71389516	2	POPPET PACKAGE

MC00218
PR: 80

**CHALLENGER 660 COMBINE
FEEDER**

217

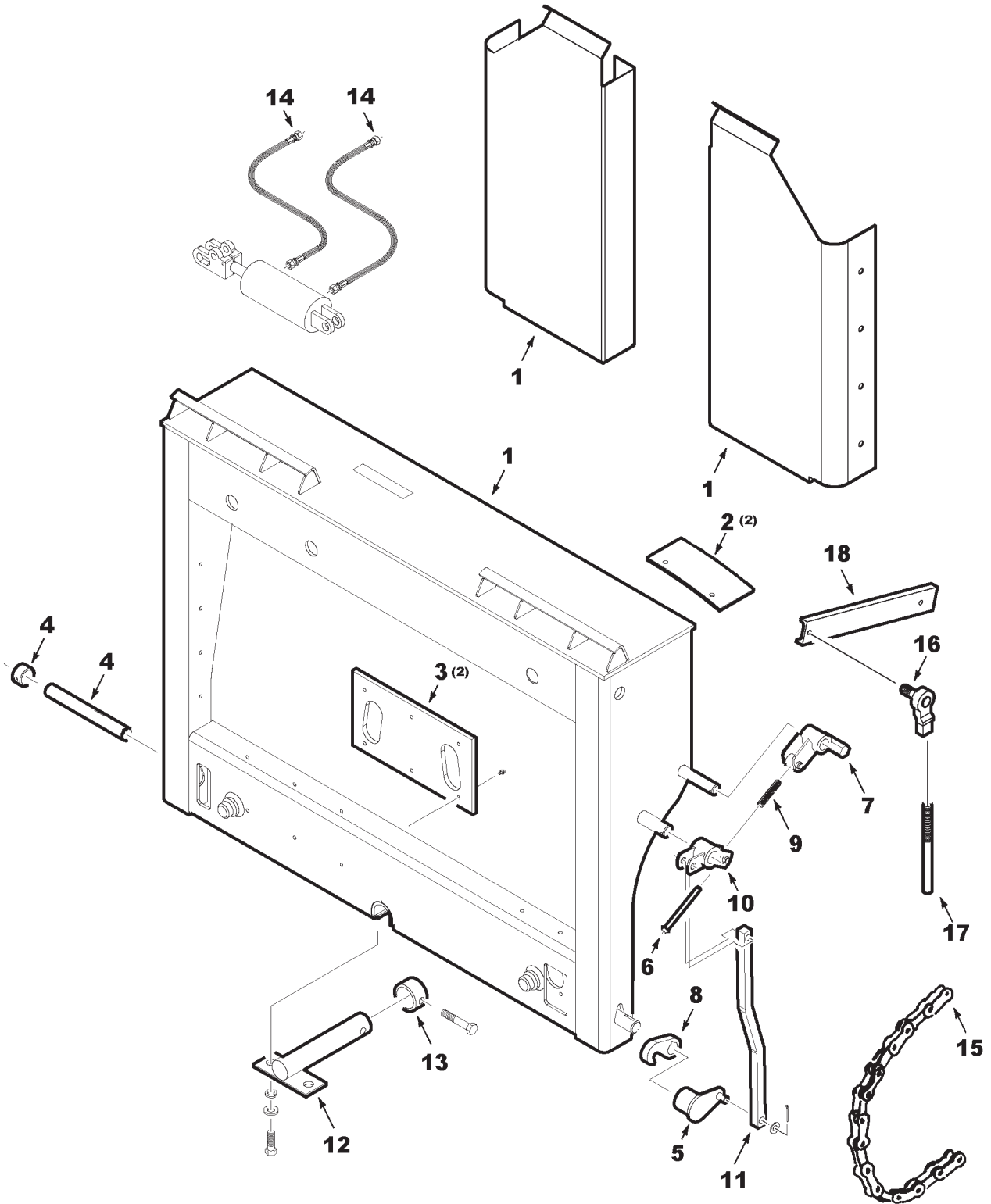
**JACKSHAFT & C'SHAFT DRIVE IDLER
FIXED SPEED HEADER DRIVE
(EFF. S/N HP87101)**

ITEM	NUMBER	QTY	DESCRIPTION
1	71399520	1	SHEAVE ASY, W/BEARINGS (INCL IT. 2, 3, 4 & 5)
2	71398364	1	SHEAVE, DRIVEN, FEEDER JACKSHAFT
3	71382057	1	BEARING, BALL, W/SEALS
4	71399484	1	SPACER, BEARING
5	71382983	1	BEARING, BALL, W/SEALS
6	71398360	1	JACKSHAFT, SHEAVE SUPPORT
	70920415	6	CAPSCREW, 3/8-16 X 1-1/4 GR5
	Y704734	6	NUT, HEX FLNG TOP LOCK, 3/8-16
7	701235	1	CAPSCREW, 1/2-13 X 1-1/2 GR5
	70917861	1	WASHER, .531 X 1.50 X .180 TH.
8	71389638	1	IDLER ARM ASY, FIXED SPD HDR DRIVE (INCL IT. 9, 10 & 11)
9	71356060	2	BUSHING, PIVOT
10	71197117	1	SPACER, BUSHING
11	13811X	1	LUBE FITTING, STR, 1/4-28 TAPER
12	71398391	1	SUPPORT WLDMT, IDLER, FIXED SPD DRIVE
	70921210	2	CAPSCREW, 3/8-16 X 1 GR5
	Y704734	4	NUT, HEX FLNG TOP LOCK, 3/8-16
13	71346267	1	PLATE, MOUNTING
	70922037	6	JAM NUT, 3/4-10 UNC
14	71356061	1	SLEEVE, HARD, IDLER PIVOT
15	70918432	1	WASHER, 5/8, WIDE
16	70925703	1	CAPSCREW, 5/8-11 X 4 GR5
	70917373	1	LOCKWASHER, 5/8
	70932665	1	NUT, 5/8-11 REG
17	71308156	1	IDLER, FLAT, FLANGED, 8.0 DIA
18	70919434	1	CAPSCREW, 5/8-11 X 2-3/4 GR5
	70917373	1	LOCKWASHER, 5/8
	70932665	1	NUT, 5/8-11 REG
19	71349811	1	PLUG ASY, SPRING
	71349813	1	PLUG, SPRING
	704031	1	NUT, 1/2-13 REG
	70937461	1	WASHER, .531 X .812 X .036
20	71349813	1	PLUG, SPRING
21	70935035	1	CAPSCREW, 1/2-13 X 8-1/2, FULL THD, GR5
22	70937465	1	YOKE, 1/2-13 UNC
	704031	1	NUT, 1/2-13 REG
23	71349270	1	SPRING
24	70929593	1	PIN, CLEVIS, 1/2 X 1.36 LG
	70918452	1	COTTER PIN, 1/8 X 1"
25	70935299	1	BOLT, HEX, 1/2-13 X 12, FULL THD, GR5
	704031	1	NUT, 1/2-13 REG
26	70301781	1	WASHER, PIVOT, CONVEX, 1/2
27	70918431	1	WASHER, 1/2, WIDE
28	71399519	1	BELT, FIXED SPEED C'SHAFT DRIVE

MC00372
PR: t05b15n00a0010

CHALLENGER 660 COMBINE
LATERAL TILT

HOUSING



CHALLENGER 660 COMBINE
PROCESSOR

SEPARATOR GRATES

