

# How to use this Parts Book

## Parts Ordering Guide:

1. Give the Serial Number of your Chassis or System when ordering.
2. Use the part number and description when ordering parts.
3. Give the Assembly Title if needed.
4. Give the P/N number and date for the Parts Book if needed.

## Parts List Abbreviations

NSS Not Sold Separately  
 AR As Required, usually for a lubricant or adhesive  
 REF Reference - Part called out on a different page.  
 NS Not shown in illustration  
 R/B Replaced by another number  
 ASM assembly page

## Notice:

Every effort has been made to ensure the accuracy of the information in this book. However, because of design changes that can occur since this book was published, it is possible that some illustrations and part numbers can be different than on your machine. The technical information in this book was correct at the time this book was approved for publication.

### FUEL TANK AND TOOL BOX INSTL

ITEM	PART #	QTY	DESCRIPTION	COMMENTS
1	AG109742	4	MATTING-RUBBER,2.00X44.50X.12	
2	AG109754	4	MATTING-RUBBER,2.00X46.00X.12	
3	AG120558	1	TUBE WLDMT-FUEL LINE	
4	AG122229	1	BRKT,STIFFNER,HAT SECTION	
5	AG122302	1	BRKT-AUX BAT POST	
6	AG125208	1	SHIELD-EXHAUST	
7	AG125210	4	STRAP WLDMT-FUEL TANK	
8	AG126403	4	BOLT-.31-18X2.75 G5 CRG ZN/Y	
9	AG130111	1	PLATE,MTG-FUEL TUBE	
10	AG130414	4	TUBE-RD,.75ODX.12WALL X 2.00LG	
11	AG262729	2	PLATE-SLOT SEALING	
12	AG325049	1	CABINET ASM-TOOL BOX,LH	
13	AG325050	1	CABINET ASM-TOOL BOX,RH	
14	AG504815	1	TANK-FUEL,65GL,POLY,RH	
15	AG504816	1	TANK-FUEL,65GL,POLY,LH	
16	AG510939	-	HOSE HYD 0.37 BULK 250PSI WP [BULK: 5 FT]	
17	AG512346	-	3M 1300 YELLOW ADHESIVE (GAL) [BULK: 0.001 GL]	
18	AG512885	AR	LOCTITE ADHESIVE SEALANT BLUE	
19	AG518292	2	BOLT-U .31-18X2.00X 2.69 RD SS	
20	AG519556	1	SENDING UNIT FUEL LEVEL	
21	AG522183	-	HOSE-FUEL,2.00 ID [BULK: 2.5 FT]	
22	AG522439	8	BOLT-.38-16X1.5,G5,ZN,CRG	
23	AG522453	2	VENT-FUEL,90D,50MNPTX.38HOSEB	
24	AG523919	8	CLAMP-HIGH TORQUE,3.00	
25	AG550124	2	NUT 0.50-13NC HEX ZN REG	
26	AG550205	4	WASHER LK 0.31 ZN REG	
27	AG550213	4	NUT 0.31-18NC HEX ZN REG	
28	AG550256	2	BOLT.50-13NCX1.25 G5 ZN HHD	
29	AG550264	2	WASHER 0.50 LK ZN REG	
30	AG550353	10	WASHER 0.50 FL ZN REG TYPE-B	
31	AG551007	8	WASHER FL 0.37 ZN REG TYPE-B	
32	AG551015	4	WASHER 0.31 FL ZN REG TYPE-B	
33	AG551201	1	ADAP STR .37MNPT X .37M/JIC (N)	
34	AG552461	1	ADAP STR 0.50MNPT X 0.50M/JIC	
35	AG561025	2	CLAMP HOSE .218 TO .625 U5S	
36	AG561867	2	PLUG PIPE 0.25-18 EXT HEX HD	
37	AG601152	8	NUT 0.50-13NC HEX ZN REG NY	
38	AG601411	8	NUT 0.37-18NC HEX ZN REG LK NY	
39	AG601888	4	NUT 0.31-18NC HEX ZN REG NY	
	FOOTNOTE [A]		FOR REPLACEMENT CAP USE AG055178	
	FOOTNOTE [B]		FOR REPLACEMENT CAP USE AG055178	

Assembly Title, refer to Table of Contents

Assembly Reference, see referenced page

SEE PAGE 4-2  
 SEE PAGE 4-3  
 [A]  
 [B]

Footnote Reference, see notes below.

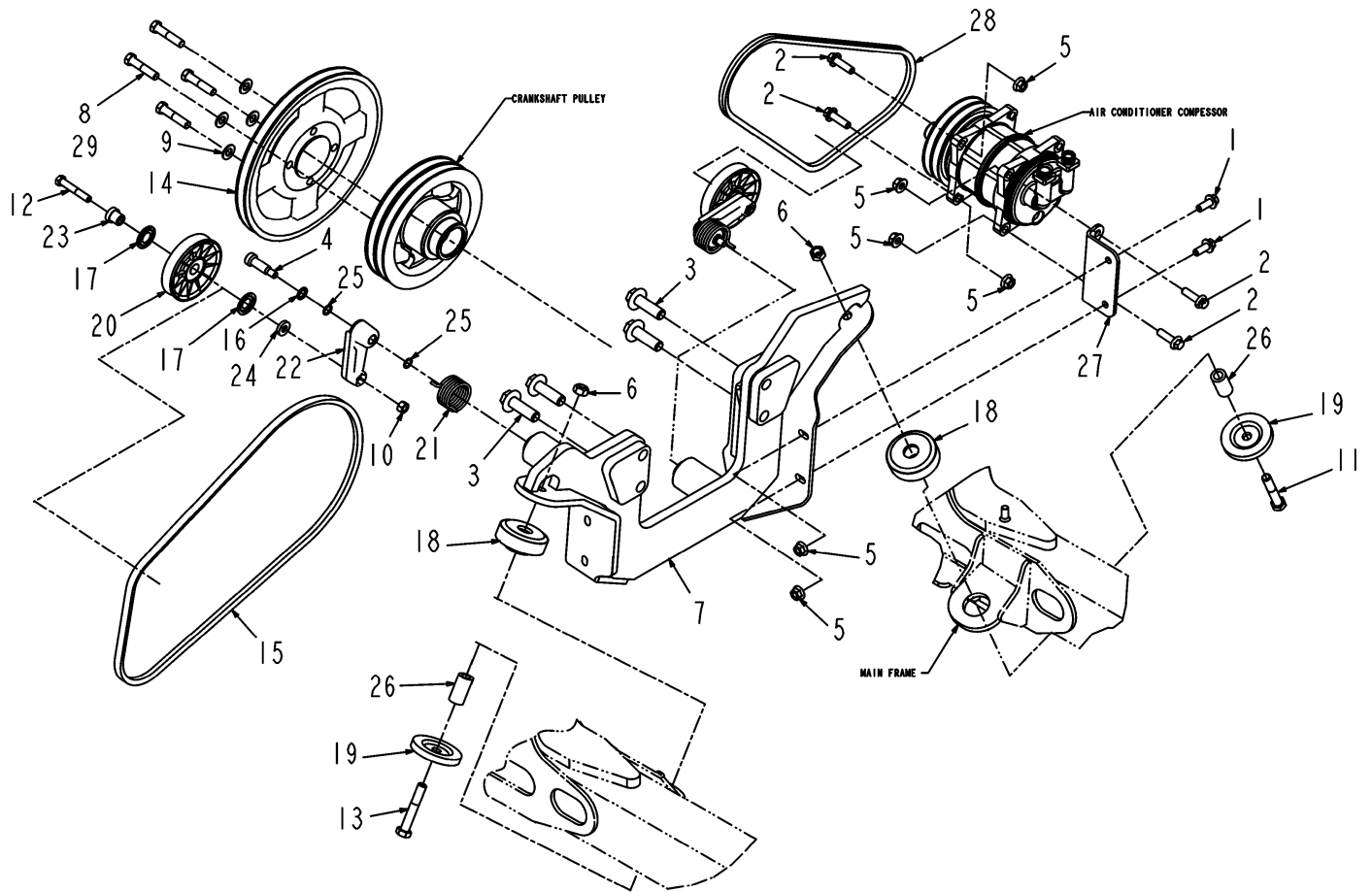
Footnote Reference

Footnote description

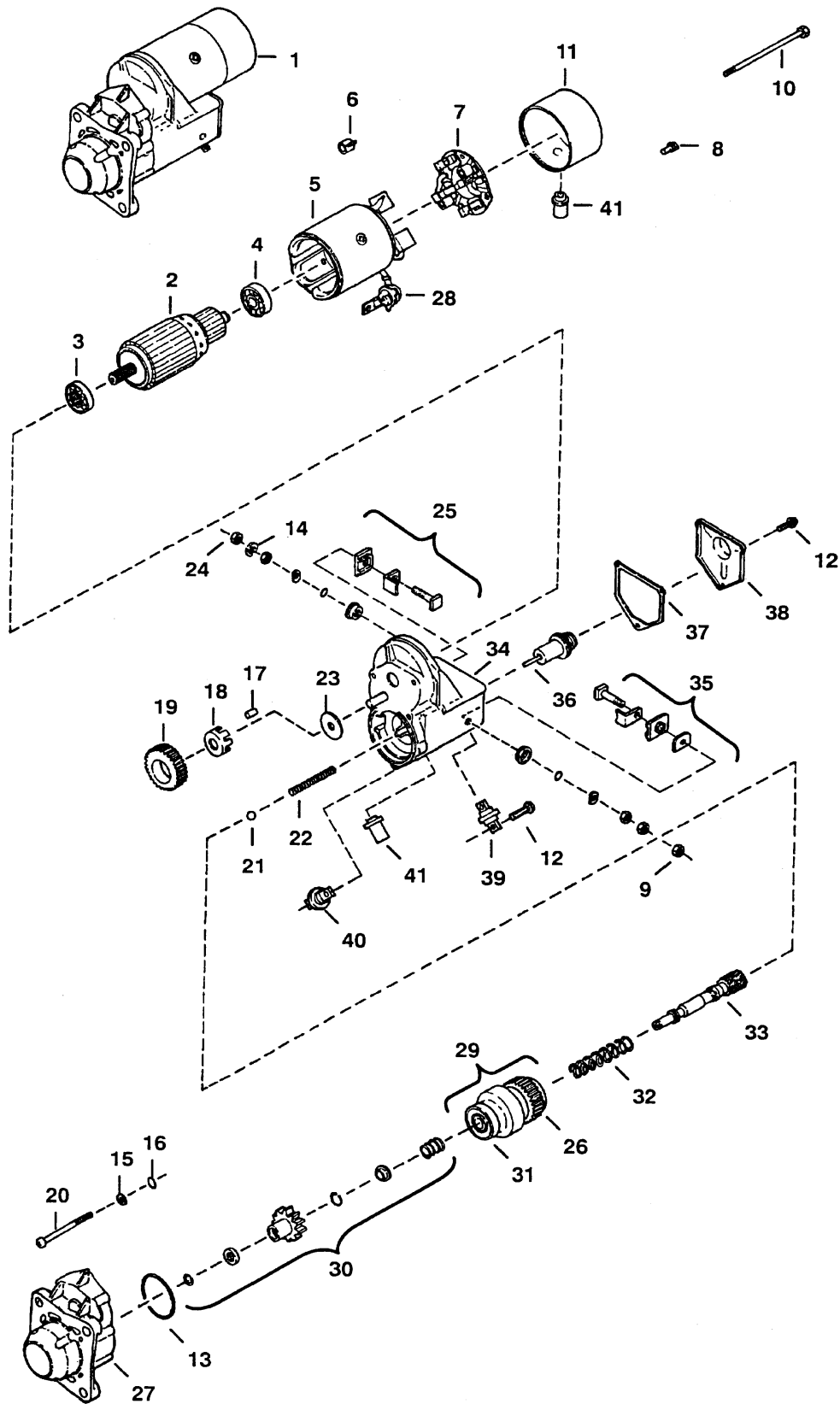
Assembly Page #, refer to Table of Contents

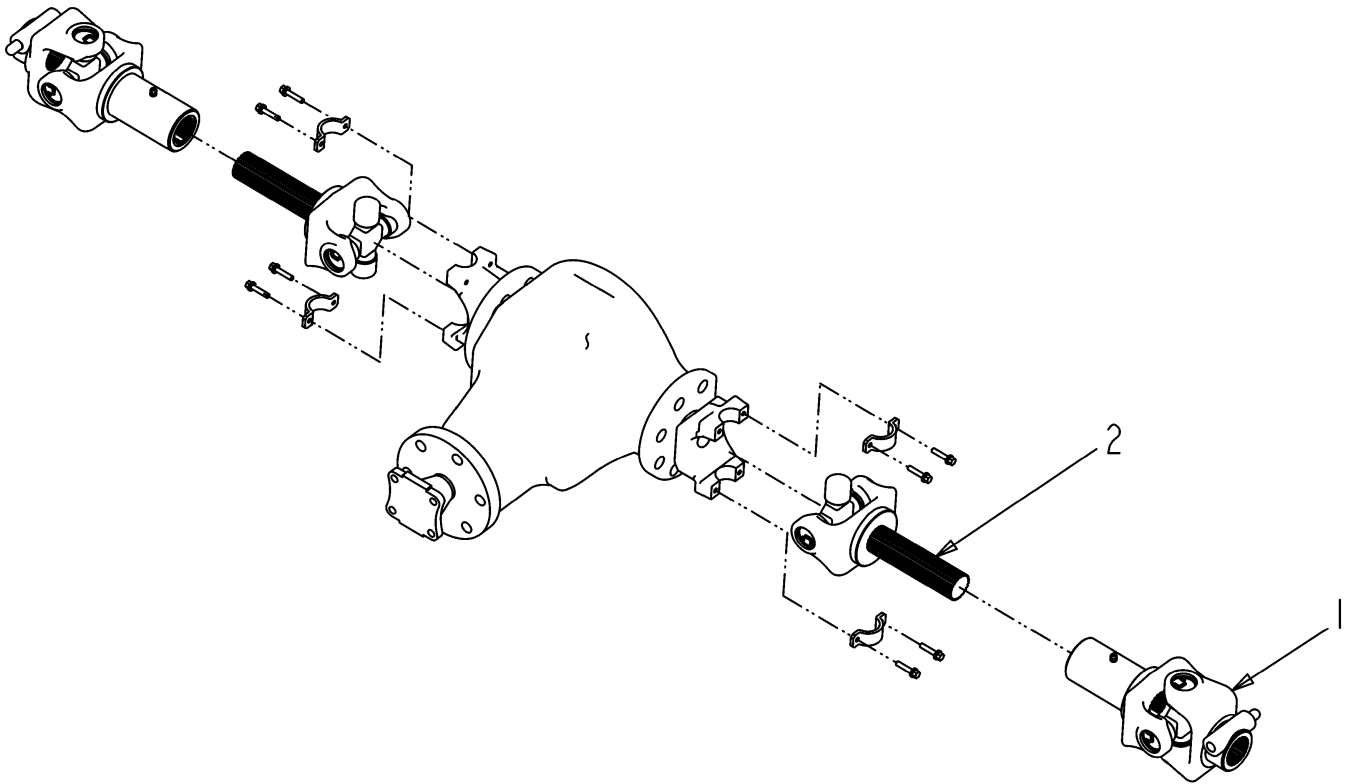
Part Book Section, refer to Table of Contents

Part Book Title, refer to Part Book Cover

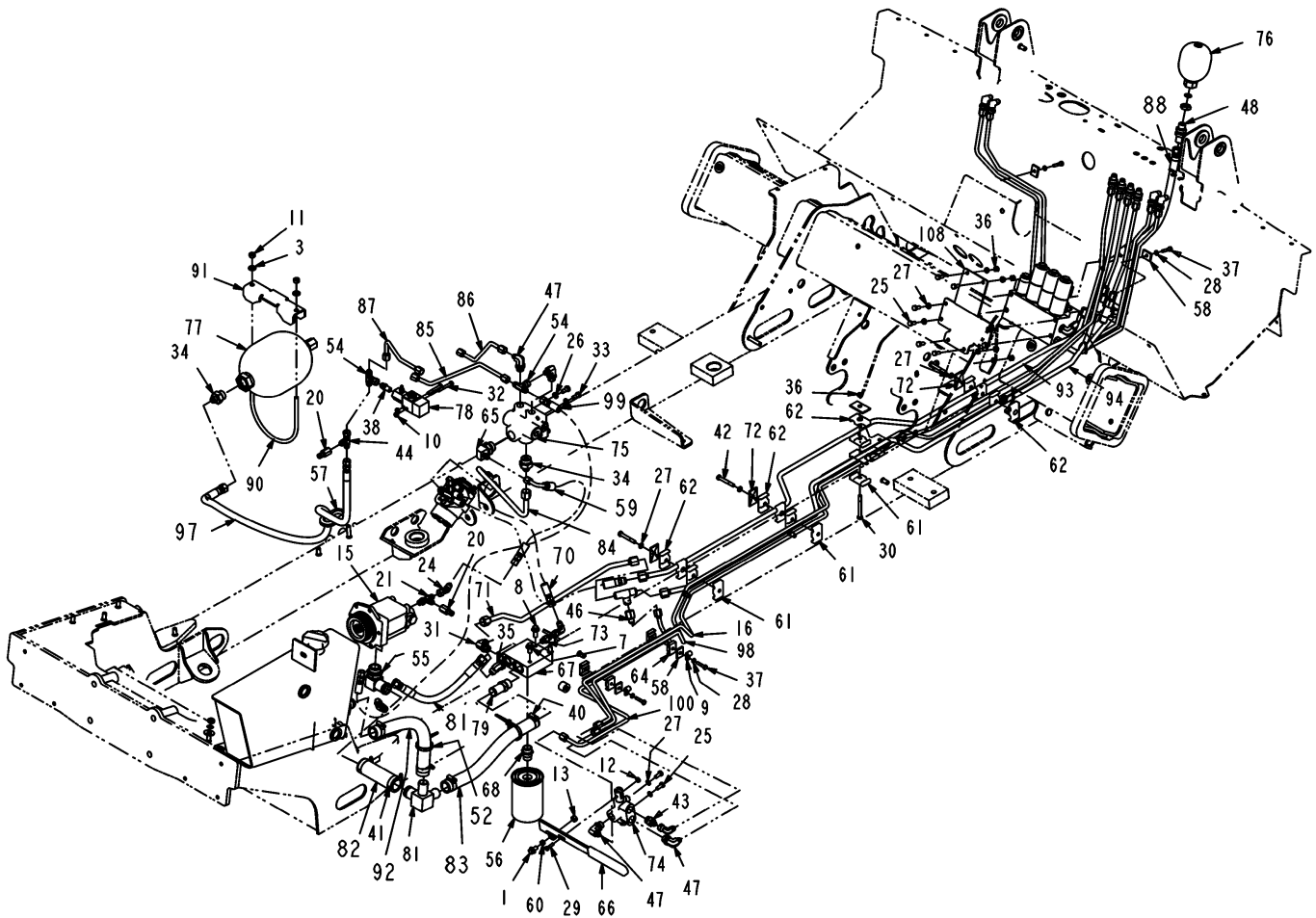


ITEM	PART #	QTY	DESCRIPTION	COMMENT
1	WR10857	3	CLAMP-HOSE,2 1/2 SST,	
2	WR25752	1	SCREW-CAP HEX M8 X 16,	
3	WR33851	3	NUT-HEX,METRIC,M8 X 1.25	
4	WR35119	2	ELBOW-BRASS 90,-06HB/	
5	WR50830	1	CLAMP-SUPPORT,CUSHION,	
6	WR50838	1	NUT-HEX,METRIC M10-1.5	
7	WR55048	2	SCREW-CAP HEX M10 X 45	
8	WR55106	1	WASHER-LOCK SPRING,10 MM	
9	WR55157	2	WASHER-FLAT,8MM ID,	
10	WR55158	6	WASHER-FLAT,10MM ID,	
11	WR55159	1	WASHER-FLAT,12MM ID,	
12	WR55191	2	HEX HEAD,THREAD ROLLING SCREW	
13	WR55205	12	SCREW-HEX FLG,M8X1.25X16 CL8.8	
14	WR55206	5	SCREW-HEX FLG,M8X1.25X20 CL8.8	
15	WR55208	3	SCREW-HEX FLG,M8X1.25X30 CL8.8	
16	WR55214	2	SCREW-HEX FLG,M10X1.5X20 CL8.8	
17	WR55215	1	SCREW-HEX FLG,M10X1.5X25 CL8.8	
18	WR55229	2	CLAMP-SUPPORT CUSHION,	
19	WR55247	5	CLAMP-SUPPORT CUSHION DBL	
20	WR55281	4	NUT-FLANGE,M10 X 1.5	
21	WR55301	4	NUT-FLANGE,M10 X 1.5,PREV	
22	WR55349	5	SCREW-HEX,3/8 X 3/4,	
23	WR55353	2	NUT-TOPLOCK, 3/8-16UNC G8	
24	WR55410	14	NUT-FLANGE,M8 X 1.25 CL8,	
25	WR121502	1	FAN-COOLING	
26	WR121506	1	MOUNT-WA,RADIATOR	
27	WR124049	1	SUPPORT-ENGINE COVER	
28	WR124563	1	HOSE-RADIATOR OUT	
29	WR124564	1	HOSE-RADIATOR INLET	
30	WR124934	1	SHROUD, FAN	
31	WR124935	1	SHIELD-FAN	
32	WR124986	1	SHIELD-FAN, SIDE	
33	WR125351	1	MOUNT-CONDENSOR,LH	
34	WR125352	1	MOUNT-CONDENSOR,RH	
35	WR125353	1	BRACKET-RADIATOR LH	
36	WR125354	1	BRACKET-RADIATOR, RH	
37	WR125404	2	INSULATION	
38	WR125408	1	MOUNT-INSULATION	
39	WR128547	2	SCREW-FLG HD .375X16X2	
40	WR128841	1	TANK-DEARATING	
41	WR129187	AR	PIPE SEALANT-POLY SEAL	
42	WR134922	1	RADIATOR ASM-SC TIER 2	
43	WR510939	-	HOSE HYD 0.37 BULK 250PSI WP [BULK: 3.000 FT]	
44	WR513385	-	HOSE,MED.PRESS 0.75 2BRD EPDM [BULK: 1.000 FT]	
45	WR514385	1	GROMMET .63 ID .88 GROOVE DIA	
46	WR520967	5	BOLT-M8-1.25X25,CL8.8,ZN FLG	
47	WR521351	1	HOSE BARB 0.25NPTX.38HOSEW/ORF	
48	WR553158	1	VALVE DRAIN COCK BR .25 18NPTF	
49	WR559415	1	ADAPTER -4FP X -6HB	
50	WR561025	4	CLAMP HOSE .218 TO .625 U5S	
51	WR561229	2	CLAMP 0.68-1.25 HOSE 12HS	
52	WR561233	1	CLAMP-HOSE,1.81X2.75,36HS	
53	WR561679	3	WASHER LOCK M8 ZN	
54	WR562496	AR	TIE CABLE 15.0 .18-4.00 BLACK	
55	WR568276	2	MOUNT-VIBRATION	
56	WR731972	1	GROMMET	
57	WR742876	1	GROMMET	
58	6554274	-	STRIP-FOAM [BULK: 2.800 FT]	
59	6565114	-	STRIP-FOAM,BULK [BULK: 6.000 FT]	
60	6597894	2	EDGE	



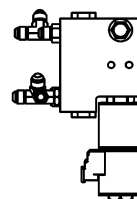
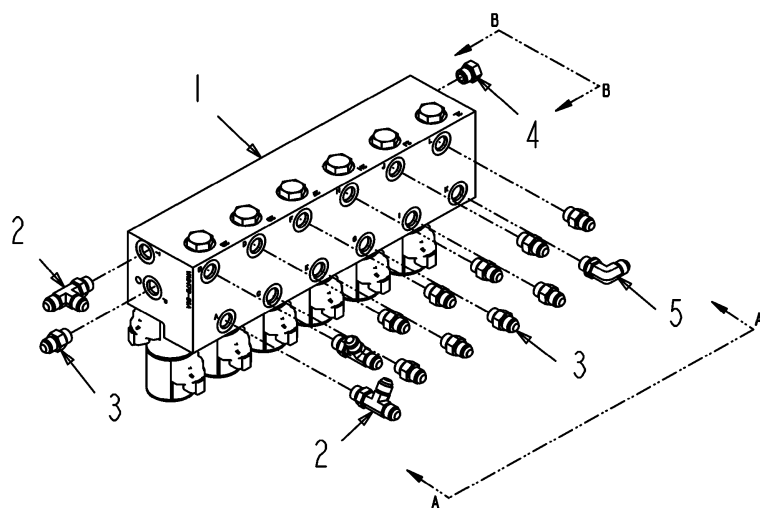




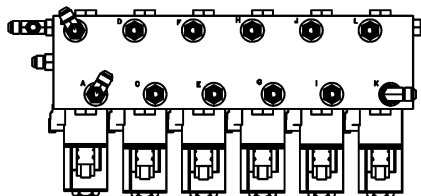


ITEM	PART #	QTY	DESCRIPTION	COMMENT
1	WR10254	1	SCREW-WZLK FLG 3/8 NC X 1	
2	WR50838	4	NUT-HEX,METRIC MIO-1.5	
3	WR55075	2	WASHER-PLAIN,10MM ID,LC,	
4	WR55104	4	WASHER-LOCK SPRING,6MM ID	
5	WR55106	4	WASHER-LOCK SPRING,10 MM	
6	WR55158	4	WASHER-FLAT,10MM ID,	
7	WR55214	1	SCREW-HEX FLG.M10X1.5X20 CL8.8	
8	WR55215	1	SCREW-HEX FLG,M10X1.5X25 CL8.8	
9	WR55226	2	CLAMP-SUPPORT CUSHION,	
10	WR55351	2	NUT-TOPLOCK, 1/4-20UNC G8	
11	WR55353	2	NUT-TOPLOCK, 3/8-16UNC G8	
12	WR55365	1	NUT-TOPLOCK, 1/4-20UNC,	
13	WR55366	1	NUT-TOPLOCK, 3/8-16UNC,	
14	WR122830	1	ADAP STR .37MORX.37MJIC LONG	
15	WR123121	1	PUMP HYDRAULIC	SEE PAGE 5-47
16	WR124390	1	TUBELINE	
17	WR128112	1	ELBOW-8MJIC 45 X -6MB	
18	WR514800	1	ELBOW-90D,-6MORX-8 MJIC	
19	WR514803	4	ELBOW 90D 0.37JICX0.37JIC BHD	
20	WR519114	2	TUBE END NIPPLE -6	
21	WR519123	1	TEE-RUN,STR THD -6	
22	WR520285	1	TEE-6MOR X -6MJIC	
23	WR521798	4	UNION-BHD,.38MJIC	
24	WR523227	1	ADAPTER-45D,-6FJIC SWX-6MJIC	
25	WR550183	10	BOLT 0.31-18NCX 0.75 G5 ZN HHD	
26	WR550191	3	WASHER LK 0.37 ZN REG	
27	WR550205	13	WASHER LK 0.31 ZN REG	
28	WR550493	4	WASHER LK 0.25 ZN REG	
29	WR550698	1	BOLT 0.25-20NCX 1.00 G5 ZN HHD	
30	WR550906	1	BOLT 0.31-18NCX 3.00 G5 ZN HHD	
31	WR551112	1	ELBOW 90D 0.50MO-R X 0.50MJIC	
32	WR551279	2	BOLT.25-20NCX 2G5 ZN HHD	
33	WR551503	3	BOLT 0.37-16NCX 0.75 G5 ZN HHD	
34	WR552194	2	ADAP STR 0.75MO-R X 0.50MJIC	
35	WR553891	1	ELBOW 45D 0.50MO-R X 0.50MJIC	
36	WR557668	5	NUT 0.31-18NC HEX ZN C-LK	
37	WR558788	4	BOLT 0.25-20NCX 1.25 G5 ZN HHD	
38	WR559148	1	ADAP STR 0.25MNPT X 0.37MJIC	
39	WR560693	5	ADAP STR 0.37MO-R X 0.37MJIC	
40	WR561213	4	CLAMP 0.81-1.50 HOSE 16HS	
41	WR561230	2	CLAMP 0.81-1.75 HOSE 20HS	
42	WR561251	3	BOLT 0.31-18NCX 2.25 G5 ZN HHD	
43	WR561308	1	ADAP STR 0.50MO-R X 0.37MJIC	
44	WR561391	1	TEE 0.37FJIC SW X 0.37MJIC(2)	
45	WR561629	3	ELBOW -6FJS90X -6MJ	
46	WR561834	3	ADAP STR-8FJX-6MJ	
47	WR562204	4	ELBOW-8MB90X-6MJ	
48	WR562229	1	ADAP STR-8MJBHX-8MJ	
49	WR562346	3	TEE -8MJ	
50	WR562372	2	ADAP STR 0.37MO-R X 0.50MJIC	
51	WR562401	1	ELBOW -6MB90X-6MJ	
52	WR562496	18	TIE CABLE 15.0 .18-4.00 BLACK	
53	WR562639	4	BOLT M6 1.00X12MM G8.8 ZN HHD	
54	WR562709	2	TEE 0.37MJIC(2)X0.37FJIC SW	
55	1312337	1	ADAPTER	
56	6515541	1	FILTER-HYD	
57	6533975	1	GROMMET	
58	6535422	4	WASHER-CLAMP	
59	6536129	1	HOSE-06FJX-06FJX90-06R1	
60	6562619	1	BUSHING-THROTTLE	

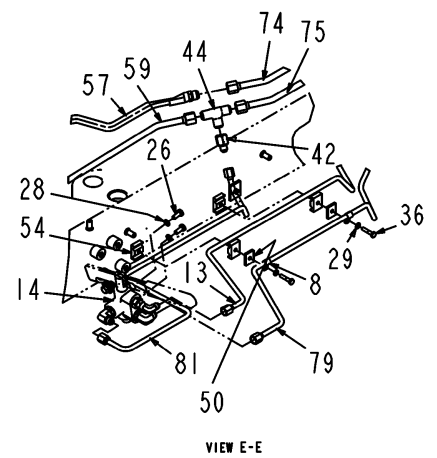
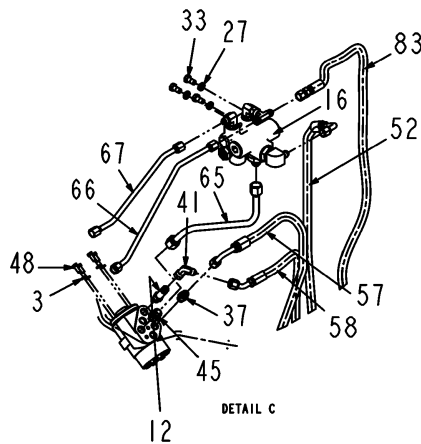
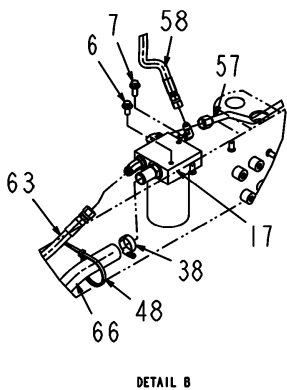
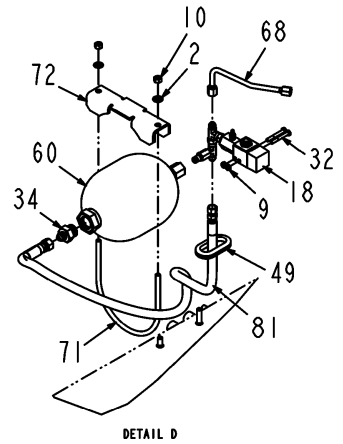
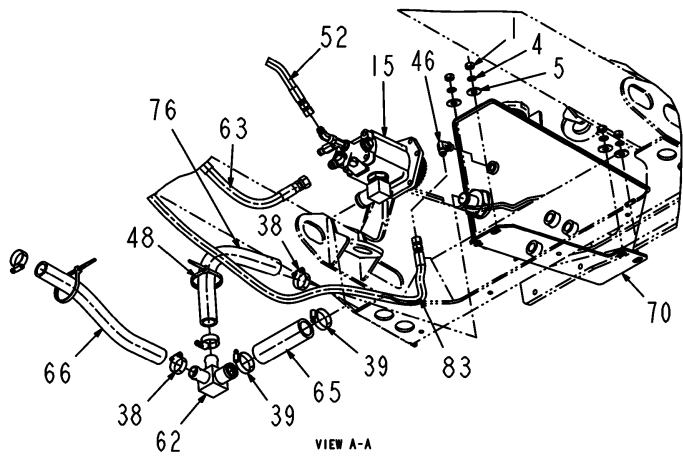




VIEW B-B



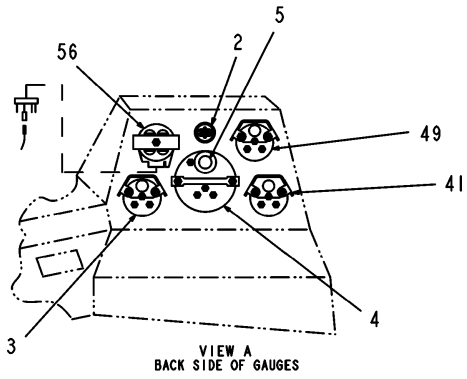
VIEW A-A



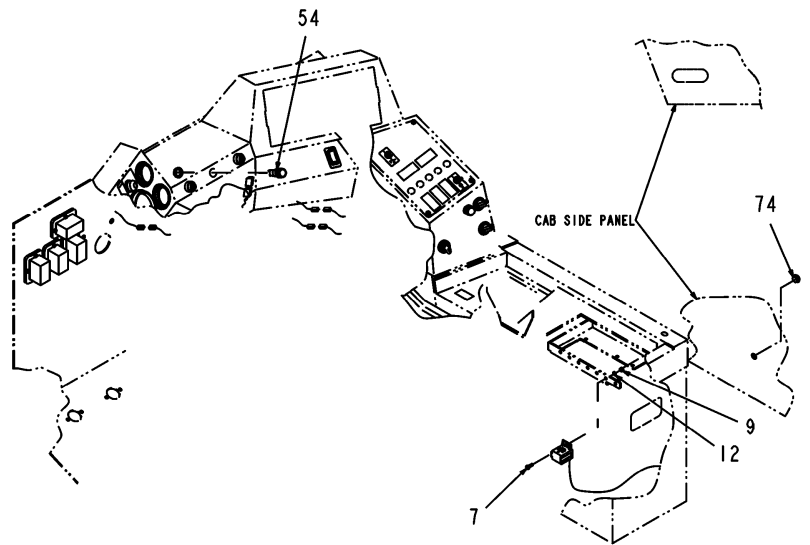
ITEM	PART #	QTY	DESCRIPTION	COMMENT
1	WR26371	2	SCREW-CAP HEX 5/16 NC X 4	
2	WR26513	1	STRIKER KNOB-LATCH	
3	WR35153	4	SCREW-MACH BTN SOCHD	
4	WR50857	4	WASHER-FLAT,HRD 5/8	
5	WR55007	2	SCREW-CAP HEX 5/16 NC X	
6	WR55091	4	SCREW-CAP HEX M4 X 16	
7	WR55101	1	WASHER-LOCK INT TOOTH,	
8	WR55102	4	WASHER-LOCK SPRING,4MM ID	
9	WR55149	2	BOLT 3/8-16X114 ZNDI HHD 10.9	
10	WR55157	17	WASHER-FLAT,8MM ID,	
11	WR55158	4	WASHER-FLAT,10MM ID,	
12	WR55187	3	SCREW-CAP SOCK 1/4 NF X	
13	WR55190	17	SCREW-CAP HEX M8 X 20,	
14	WR55249	4	NUT-LOCK,M4 G4D	
15	WR55251	2	SCREW-TAP,#6 X 3/4,OVAL	
16	WR55254	11	SCREW-HEX FLG,.25NCX.50 GR5	
17	WR55255	3	SCREW-HEX FLG,.25NCX.625 GR5	
18	WR55266	1	SCREW-SH HEX 3/8 NC X	
19	WR55274	4	NUT-LOCK,M16 X 1.5,PREV	
20	WR55301	3	NUT-FLANGE,M10 X 1.5,PREV	
21	WR55308	4	NUT-ACORN,5/16 NC	
22	WR55313	4	SCREW-MACH HEX,#10-32NF X	
23	WR55351	5	NUT-TOPLOCK, 1/4-20UNC G8	
24	WR55352	1	NUT-TOPLOCK,5/16-18UNC G8	
25	WR55546	3	SCREW-CAP HEX M10 X 110	
26	WR120749	1	TAG-EXIT	
27	WR129357	1	PLATE-SWITCH,SC	
28	WR517438	4	BOLT HHD M16-2X100MM 10.9 ZN	
29	WR518096	4	WASHER FENDER .31X1.50 OD ZN	
30	WR520907	2	PLUG-HOLE,SWITCH,EATON	
31	WR550566	1	NUT 0.43-14NC HEX ZN REG	
32	WR557676	2	NUT 0.37-16NC HEX ZN C-LK	
33	WR561617	1	WASHER 0.50 FL ZN SAE TYPE-A	
34	WR561679	2	WASHER LOCK M8 ZN	
35	WR561884	6	RIVET POP 0.12X0.25 DOME-HD ST	
36	WR562171	4	NUT 0.31-18NC HEX ZN JAM	
37	1023368	2	GROMMET	
38	6555350	-	ADHESIVE-RUBBER	
39	6589675	7	SCREW-TR HD,TAPPING	
40	6595112	1	PANEL-ACCESS,LH	
41	6595116	1	INSULATION-ACCESS,LH	
42	6597317	1	RETAINER-FLOORMAT	
43	6626216	1	COVER-FUSE	
44	6626256	1	HINGE	
45	6626510	4	WASHER	
46	6626535	1	BRACE-DASH	
47	6626596	2	FOAM-CAB TOP	
48	6626597	2	FOAM-CAB TOP	
49	6626598	3	FOAM-CAB TOP	
50	6626610	1	DASH-TOP,RH	
51	6626766	1	SEAL, DOOR WINDOW	
52	6626767	1	WINDOW-REAR	
53	6626768	2	WINDOW-SIDE	
54	6626769	1	WINDSHIELD-FRONT	
55	6626770	2	WINDSHIELD-SIDE	
56	6626771	1	SEAL-SIDE,WINDOW	
57	6626772	1	CORD-WINDOW	
58	6626773	1	SEAL-WINDOW,REAR	
59	6626774	2	FOAM-FILTER	
60	6626775	2	FOAM-FILTER	

ITEM	PART #	QTY	DESCRIPTION	COMMENT
2	6669544	1	THROTTLE-HAND	
3	6801418	1	DECAL-HAND THROTTLE	
4	6629575	1	INSTR-MTG,JOYSTICK	
5	6670539	2	SCREW	
6	6670540	2	SCREW	
7	6670541	2	SCREW	
8	6670542	2	NUT	
9	6670543	8	NUT	
10	6670544	3	TIE	
11	6670545	1	LEVER	
12	6670546	3	SWITCH	
13	6670547	1	BOOT	
14	6670548	1	BOOT	
15	6670549	1	BOOT	
16	6670550	5	SWITCH	
17	6670551	5	BOOT	
18	6670552	1	SHIELD	
19	6670553	1	SHIELD	
	FOOTNOTE [A]		ITEM 20 CANNOT BE PURCHASED INDIVIDUALLY BUT IS INCLUDED IN THE HAND THROTTLE.	
	FOOTNOTE [A]		ITEM 20: HAND THROTTLE	

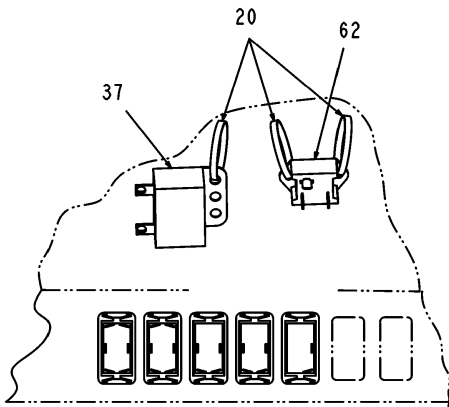
ITEM	PART #	QTY	DESCRIPTION	COMMENT
1	6597934	1	DECAL-BOOM LIFT (ENG)	
2	6597935	1	DECAL-TIP LIFT,RH	
3	6597936	1	DECAL-TIP LIFT,LH (ENG)	
4	6597939	1	DECAL-BOOM FOLD,RH (ENG)	
5	6597940	1	DECAL-BOOM FOLD,LH (ENG)	
6	6647887	5	SWITCH-ELECTRIC	
7	6653332	5	EXTENSION-HANDLE	
8	6661253	7	SWITCH-ROCKER	
9	6802446	1	DECAL-LT,TIP FOLD	
10	6802447	1	DECAL-TIP FOLD,RH	
11	WR55852	1	DECAL-BOOM SWITCHES	



VIEW A  
BACK SIDE OF GAUGES



CAB SIDE PANEL



VIEW B  
BACK SIDE OF SWITCHES

ITEM	PART #	QTY	DESCRIPTION	COMMENT
1	WR50955	1	DECAL-WARNING,BATTERY	
2	WR55537	1	DECAL-PATENT,SPRA COUPE	
3	WR55547	1	DECAL-WARNING,MULTI	
4	WR129978	1	DECAL-COOLANT ETHYLENE GLYCOL	
5	WR132523	1	DECAL-SERVICE	
6	222-2281	1	PLATE - SERIAL NO.	
7	6529638	1	DECAL-ENGINE,IDLE DOWN	
8	6589739	1	DECAL-DIESEL (ENG)	
9	6597954	1	DECAL-UP AGIT (ENG)	
10	6597955	1	DECAL-LOW AGIT	
11	6597956	1	DECAL-TANK FILL (ENG)	
12	6597957	1	DECAL-MAIN LINE (ENG)	
13	6597958	1	DECAL-BOOM,MANUAL (ENG)	
14	6612233	2	REFLECTOR-AMBER	
15	6612234	4	REFLECTOR-RED	
16	6620015	2	SHEETING,REFLECTIVE-AMBER	
17	6626483	1	DECAL-SHIFT	
18	6626686	1	DECAL-THROTTLE	
19	6626787	1	DECAL-LOCK,BOOM	
20	6626817	1	DECAL-TURN SIGNAL	
21	6626908	1	DECAL-WATER	
22	6627019	2	DECAL-SYNTHETIC OIL	
23	6627020	1	DECAL-SPIGOT	
24	6628550	1	DECAL-FUEL FILTER	
25	6801418	1	DECAL-HAND THROTTLE	
26	6802082	1	DECAL-WASHING	
27	6802470	1	DECAL-FILL,HYD OIL	
28	6802477	2	DECAL-CHAINCASE OIL	
29	6804059	1	DECAL-FUSE	
30	6804165	1	DECAL-STATIC	
31	71379132	2	DECAL-WARNING,BELT,FAN,	
32	71389158	1	DECAL-LABEL-EXIT	
33	72528122	1	DECAL-WARNING,HOT SURFACE	
34	500749D1	1	FILM-CHALLENGER	
35	504034D1	1	DECAL-HOOD,LH,CHAL	
36	504035D1	1	DECAL-HOOD,RH,CHAL	
37	504036D1	1	DECAL-CAB,LH,CHAL	
38	504037D1	1	DECAL-CAB,RH,CHAL	
39	504038D1	2	DECAL-SPRA COUPE, CHAL	
40	504039D1	2	DECAL-4450,CHAL	
41	504951D1	-	STAMPING-PRIMARY PIN MARKING	
42	WR37156	1	DECAL-WARNING,HAZARDOUS	
43	WR37158	2	DECAL-WARNING,CRUSHING,	
44	WR37159	1	DECAL-DANGER,BY-PASS,	
45	WR37164	3	DECAL-WARNING,HIGH	
46	WR37166	1	DECAL-WARNING,FALL OFF,	
47	WR37255	1	DECAL-BRAKE PRESSURE	
48	WR37257	1	DECAL-WARNING,CHEMICAL,	
49	WR37369	4	TACK-CARBON ST- 31 SERIES	
50	WR38198	1	DECAL-DANGER,CHEMICAL	
51	WR55673	2	DECAL TO DISCONNECT,	
52	WR55998	1	DECAL-WARNING,PARK BRAKE	