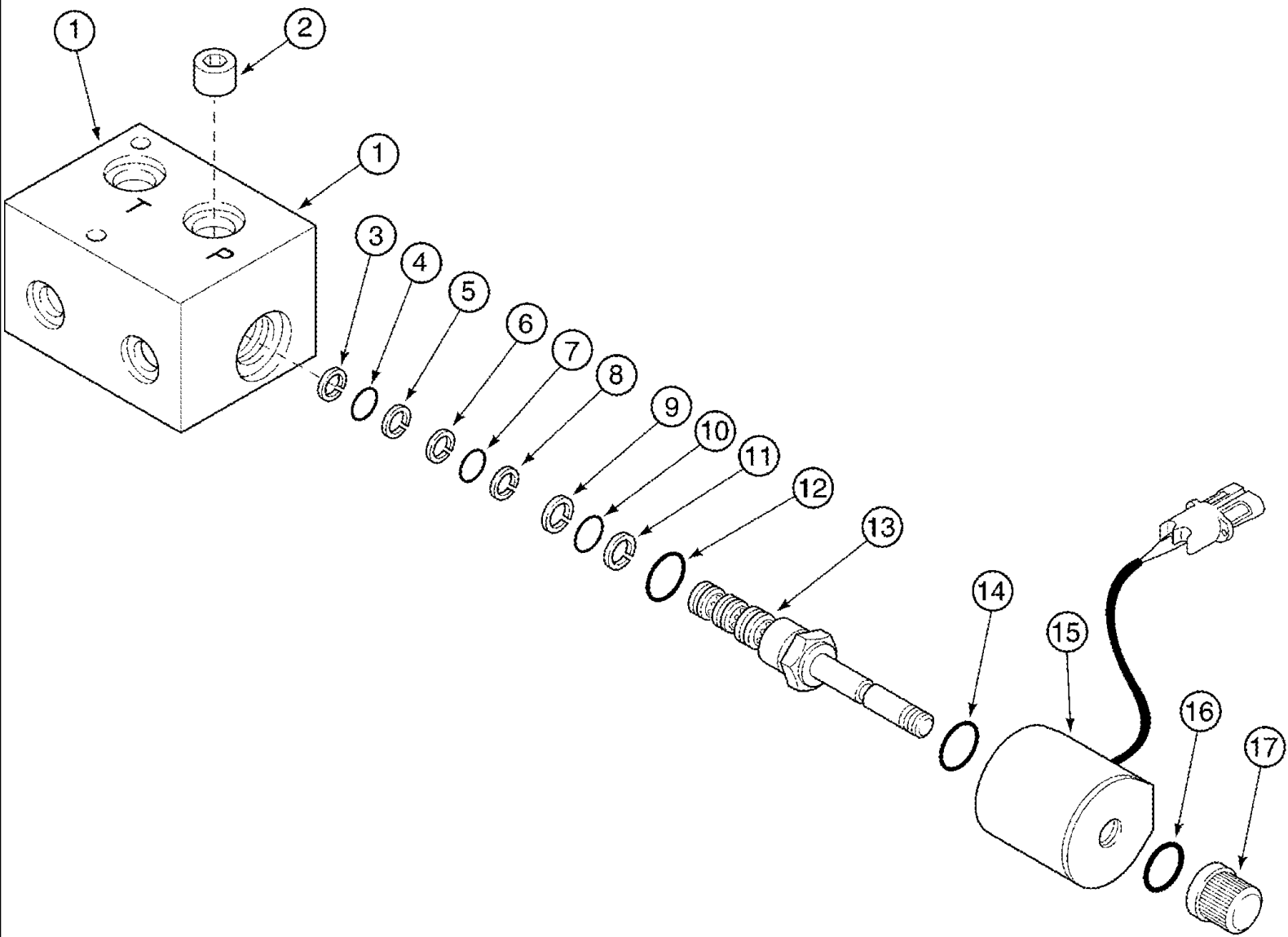
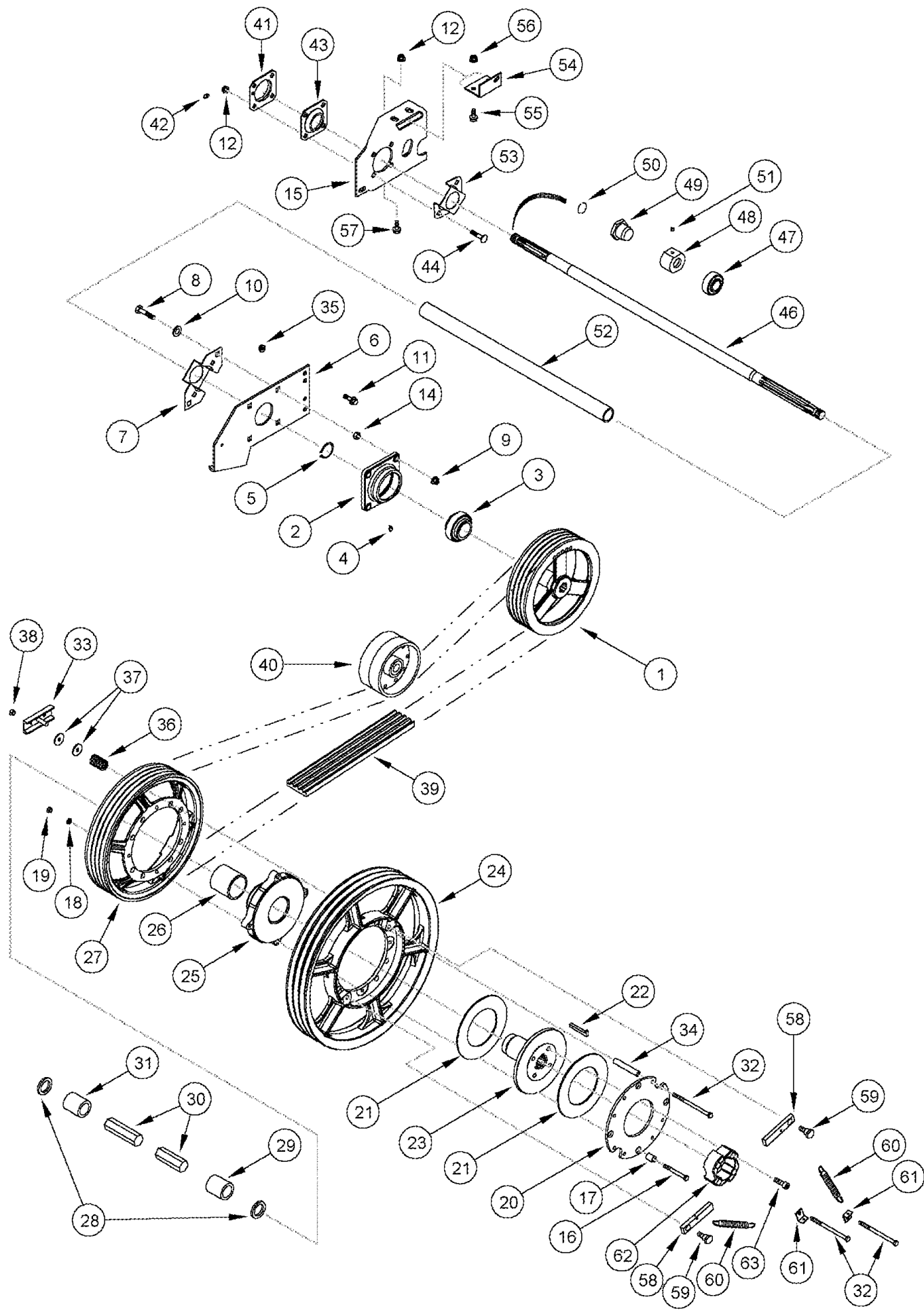


08-37 VALVE ASSY - FEEDER REVERSER



09A-12 FEEDER - JACKSHAFT DRIVE



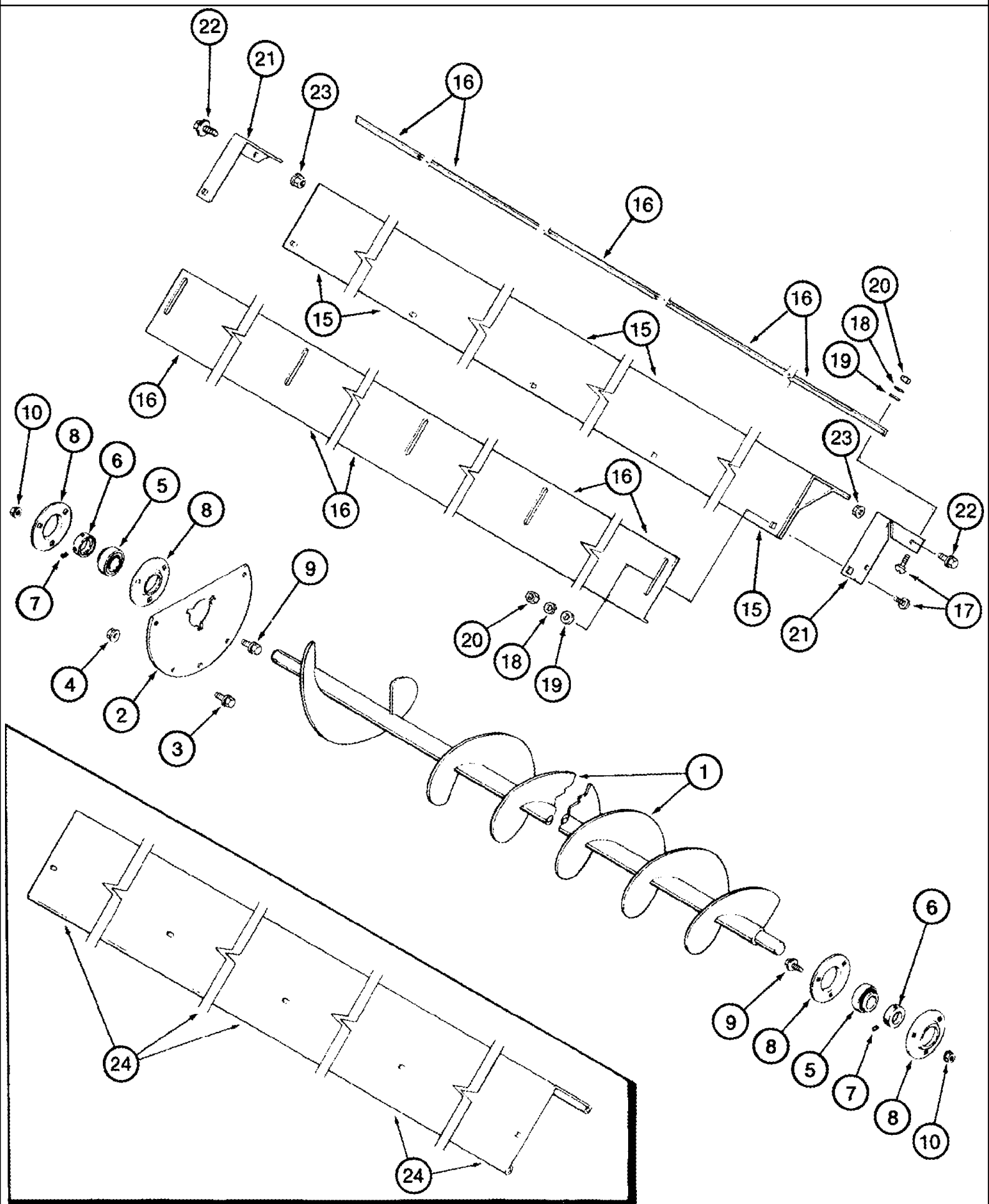
09B-05 ROTOR DRIVE - SPEED ADJUSTMENT

Ref	Part Number	Qty	Description
1	111787A2	1	MOTOR, ELECTRIC, Variable Speed
2	413-432	2	BOLT, Hex, 1/4"-20 x 2", G5,
3	492-11025	4	WASHER, LOCK, 1/4",
4	425-104	2	NUT, 1/4"-20, G5,
5	113485A1	2	SPACER, 17 mm
6	55825C1	1	BUSHING,
7	194338C2	1	GEAR, Rotor Speed Adjustment, BSN HAJ303001
7	87364294	1	GEAR, Rotor Speed Adjustment, ASN HAJ303001
8	38-11020	1	PIN, LOCK, 5/32" x 1 1/4", Slotted,
9	Q5024	1	KEY, 3/16" Sq x 1", Par,
10	495-11066	10	WASHER, 5/8", SAE,
11	55826C1	2	BUSHING,
12	183227C2	1	SUPPORT, Motor Bracket, BSN HAJ303001
12	87364290	1	SUPPORT ASSY., Motor Bracket, ASN HAJ303001
13	409-7616	8	BOLT, Hex Flg, 3/8"-16 x 1", Serr,
14	495-81135	8	WASHER, 13/32" x 1" x .120",
15	231-5146	8	NUT, Flg, USR, 3/8"-16,
16	188215C3	1	SUPPORT, Left Hand
18	477-73812	3	SCREW, Sltd Serr Truss Hd, 3/8" x 3/4",
19	231-5146	3	NUT, Flg, USR, 3/8"-16,
20	194336C2	1	SUPPORT, Right Hand
21	477-73816	4	SCREW, Sltd Serr Truss Hd, 3/8" x 1",
22	495-81143	2	WASHER, 13/32" x 1 1/2" x .120",
23	231-5146	4	NUT, Flg, USR, 3/8"-16,
24	194337C1	1	SPROCKET, 8 T
25	485-12512	2	SET SCREW, Sq Hd, 1/4"-20 x 3/4",
26	425-144	2	NUT, Jam, 1/4"-20, G5,
27	1302173C1	2	PAD,
28	413-624	2	BOLT, Hex, 3/8"-16 x 1 1/2", G5,
31	231-4116	2	NUT, LOCK, 3/8"-16, GB,
32	617107R91	1	CHAIN, Drive, Use 2040 (31), 457113R91 (1), 457114R92 (2)
33	188216C1	1	SUPPORT, Left hand
34	199704A1	1	GUARD,
35	1545944C1	1	SEAL, Trim, 129 mm (5 in), Cut From 1330108CX, (Not Shown)
35	1327979C1	1	MOLDING, 152 mm (6 in), Cut From 196707C1, (Not Shown)

09B-25 GRAIN PAN SIDE HILL DIVIDERS

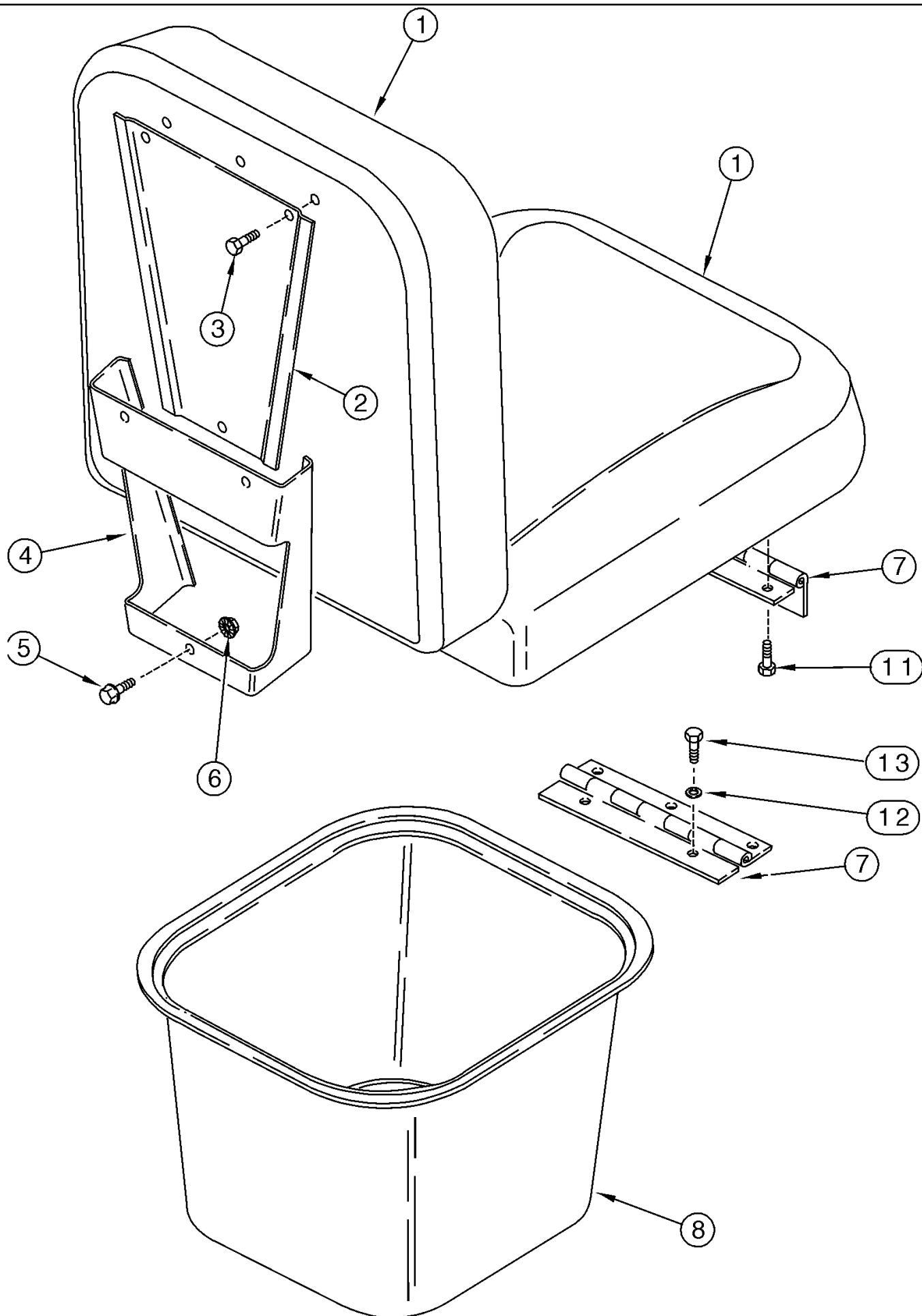
Ref	Part Number	Qty	Description
	180771C91	5	KIT, Hillside Grain Pan Divider, Tall, Inc. 1 - 5
1	87584221	1	DIVIDER,
2	185116C1	1	RETAINER,
3	185114C1	1	DIVIDER,
4	231-5144	11	NUT, Flg, USR, 1/4"-20,
5	477-82508	11	SCREW, Slt'd Serr Truss Hd, 1/4"-20 x 1/2",
	87585380	5	PACKAGE, REPAIR, Hillside Grain Pan Divider, Short, Inc. 6 - 9
6	1957596C2	1	DIVIDER,
7	1957597C1	1	DIVIDER,
8	231-5144	9	NUT, Flg, USR, 1/4"-20,
9	477-82508	9	SCREW, Slt'd Serr Truss Hd, 1/4"-20 x 1/2",

09E-05 AUGERS - GRAIN TANK, LOWER

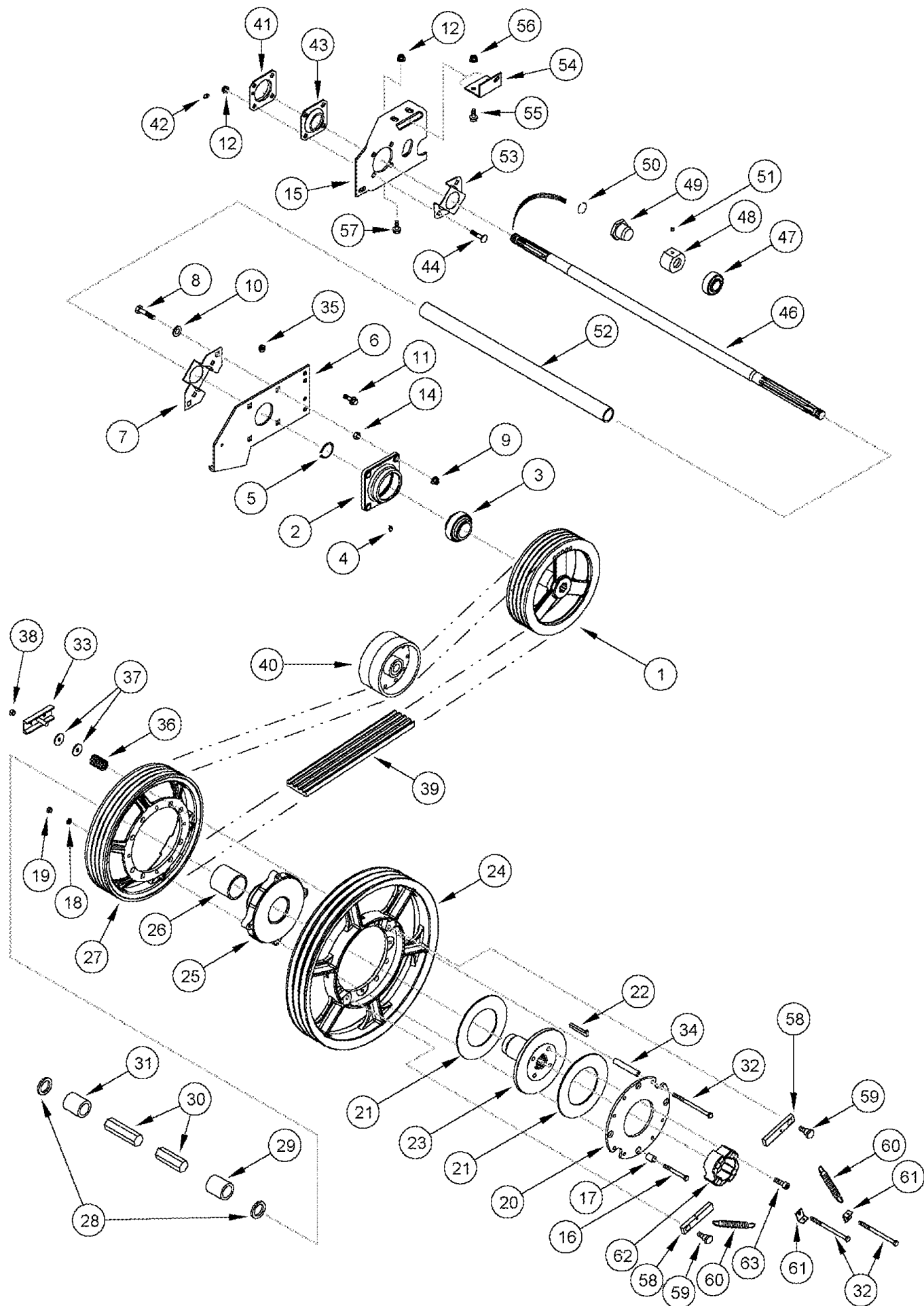


09G-08 CAB - CONSOLE, RIGHT HAND

Ref	Part Number	Qty	Description
1	345286A1	1	FRAME ASSY,
2	118781A1	3	KNOB, Knob
3	117107A2	1	SUPPORT,
4	827-8040	4	BOLT, Hex, M8 x 40, 10.9,
5	895-15008	4	WASHER, M8 x 20 x 1.6,
6	251495A1	AR	FOAM, No Longer Used
7	282056A1	1	PLUG, If Used, (Not Shown), Without Accumulator
8	353-411	1	PLUG, Dome, 1.000" hole, Nylon,
9	130412A1	1	COVER, Rear
10	87541851	1	COVER ASSY, Right Hand, Inc. 10A, Inc. Decals
10A	128833A2	1	GUIDE,
11	841-4410	2	SCREW, Hex Wash Hd, M4 x 10,
12	614-6030	1	BOLT, Hex, M6 x 30, 8.8, Full Thd,
13	118321A2	1	SKIRT, Front
14	191216A1	4	SCREW, SELF TAPPING, Hex Wash Hd, #10-24 x 5/8",
15	131-861	4	NUT, Tinn, U, #10-24,
	128970A3	1	ARMREST, Inc. 16 - 18
16	NSS	1	NOT SERVICED SEPARATELY, Support
17	128849A2	1	HINGE,
17A	185546A1	1	PLATE,
18	185544A1	5	SCREW,
19	245918C1	AR	CAP, Rocker Switch Opening
20	353-402	AR	PLUG, Dome, .375" hole, Nylon, Switch Opening
22	841-4410	2	SCREW, Hex Wash Hd, M4 x 10,
23	493-81000	2	WASHER, LOCK, Ext-Int Tooth, #10,



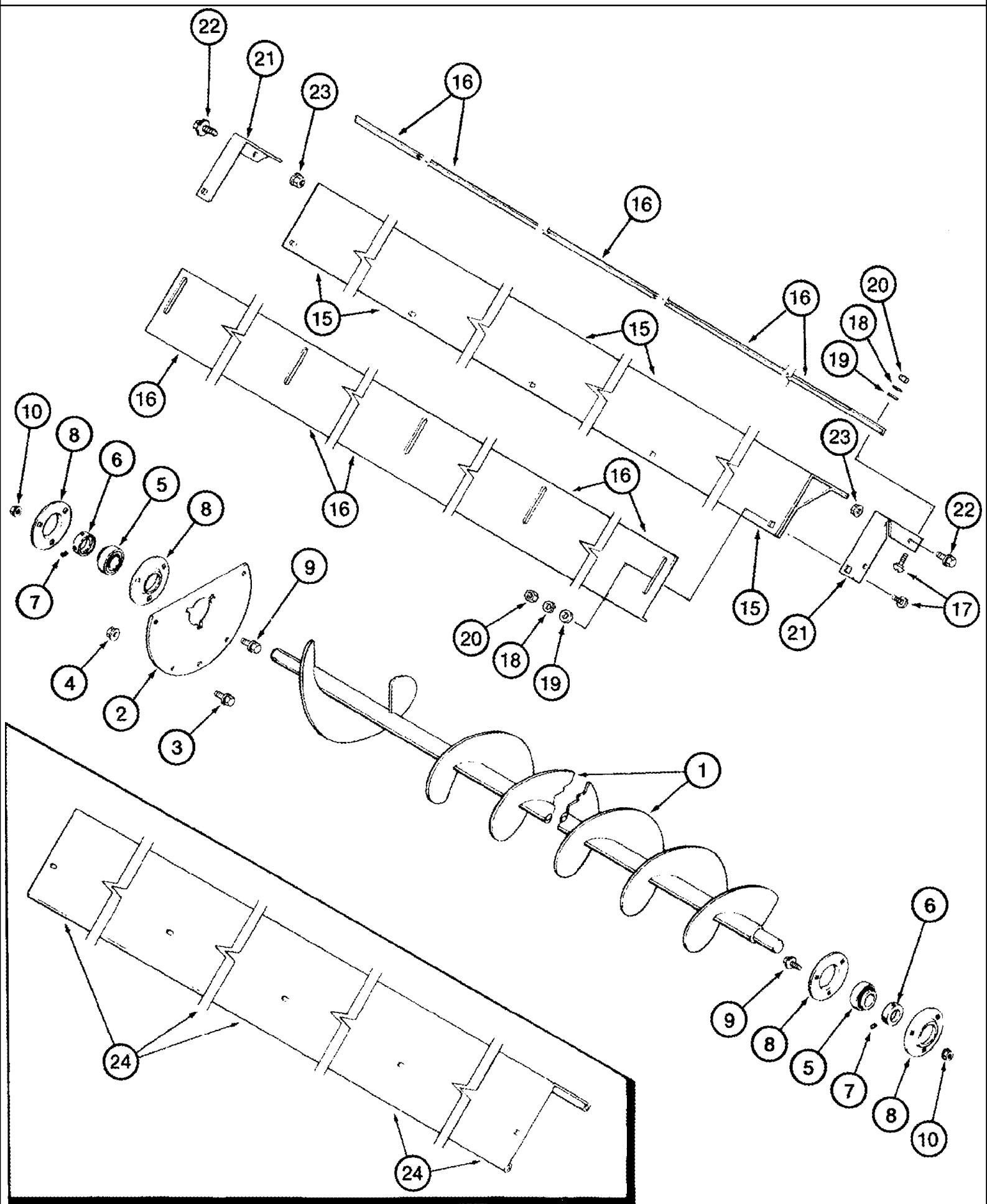
09A-12 FEEDER - JACKSHAFT DRIVE



09B-05 ROTOR DRIVE - SPEED ADJUSTMENT

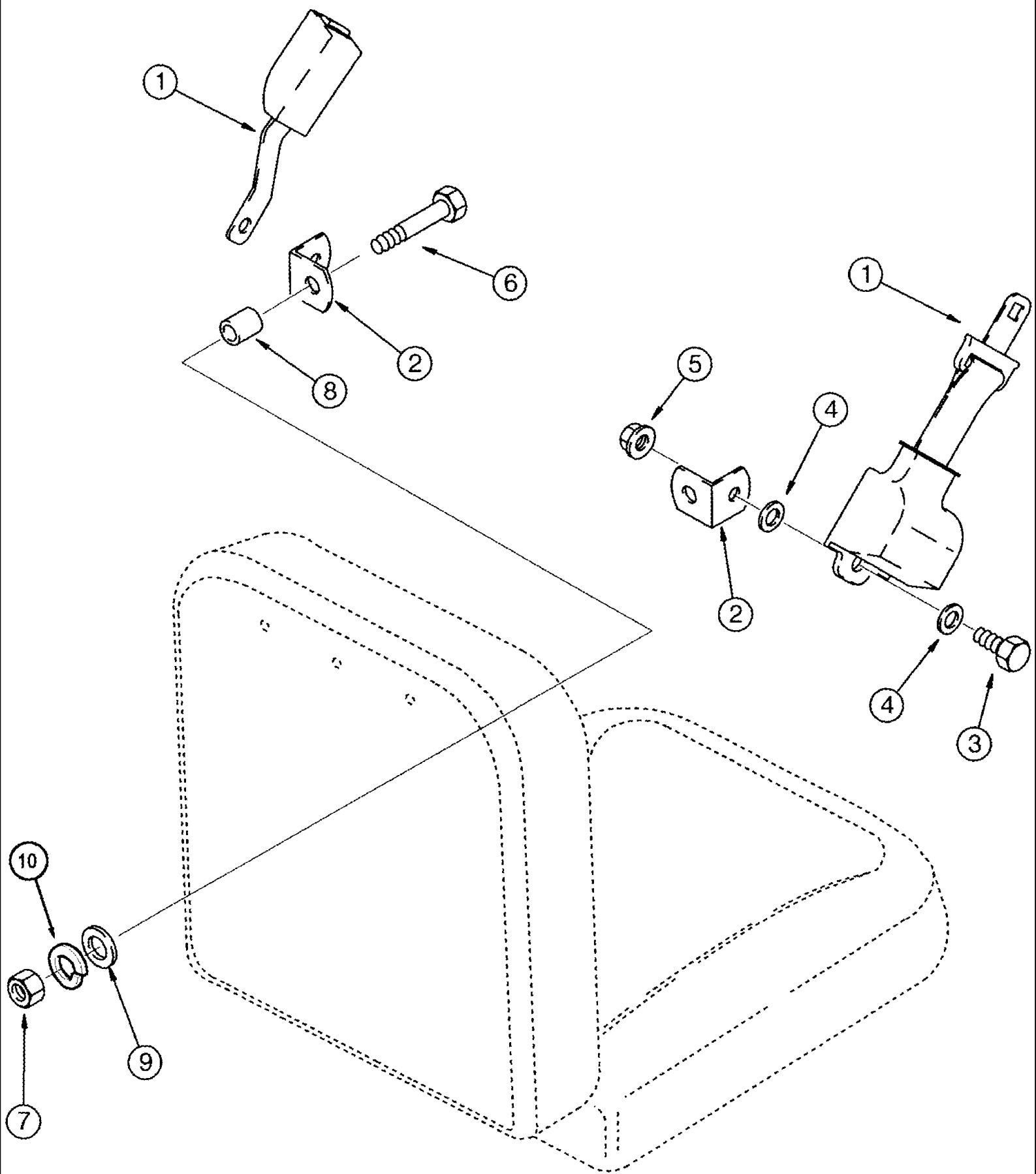
Ref	Part Number	Qty	Description
1	111787A2	1	MOTOR, ELECTRIC, Variable Speed
2	413-432	2	BOLT, Hex, 1/4"-20 x 2", G5,
3	492-11025	4	WASHER, LOCK, 1/4",
4	425-104	2	NUT, 1/4"-20, G5,
5	113485A1	2	SPACER, 17 mm
6	55825C1	1	BUSHING,
7	194338C2	1	GEAR, Rotor Speed Adjustment, BSN HAJ303001
7	87364294	1	GEAR, Rotor Speed Adjustment, ASN HAJ303001
8	38-11020	1	PIN, LOCK, 5/32" x 1 1/4", Slotted,
9	Q5024	1	KEY, 3/16" Sq x 1", Par,
10	495-11066	10	WASHER, 5/8", SAE,
11	55826C1	2	BUSHING,
12	183227C2	1	SUPPORT, Motor Bracket, BSN HAJ303001
12	87364290	1	SUPPORT ASSY., Motor Bracket, ASN HAJ303001
13	409-7616	8	BOLT, Hex Flg, 3/8"-16 x 1", Serr,
14	495-81135	8	WASHER, 13/32" x 1" x .120",
15	231-5146	8	NUT, Flg, USR, 3/8"-16,
16	188215C3	1	SUPPORT, Left Hand
18	477-73812	3	SCREW, Sltd Serr Truss Hd, 3/8" x 3/4",
19	231-5146	3	NUT, Flg, USR, 3/8"-16,
20	194336C2	1	SUPPORT, Right Hand
21	477-73816	4	SCREW, Sltd Serr Truss Hd, 3/8" x 1",
22	495-81143	2	WASHER, 13/32" x 1 1/2" x .120",
23	231-5146	4	NUT, Flg, USR, 3/8"-16,
24	194337C1	1	SPROCKET, 8 T
25	485-12512	2	SET SCREW, Sq Hd, 1/4"-20 x 3/4",
26	425-144	2	NUT, Jam, 1/4"-20, G5,
27	1302173C1	2	PAD,
28	413-624	2	BOLT, Hex, 3/8"-16 x 1 1/2", G5,
31	231-4116	2	NUT, LOCK, 3/8"-16, GB,
32	617107R91	1	CHAIN, Drive, Use 2040 (31), 457113R91 (1), 457114R92 (2)
33	188216C1	1	SUPPORT, Left hand
34	199704A1	1	GUARD,
35	1545944C1	1	SEAL, Trim, 129 mm (5 in), Cut From 1330108CX, (Not Shown)
35	1327979C1	1	MOLDING, 152 mm (6 in), Cut From 196707C1, (Not Shown)

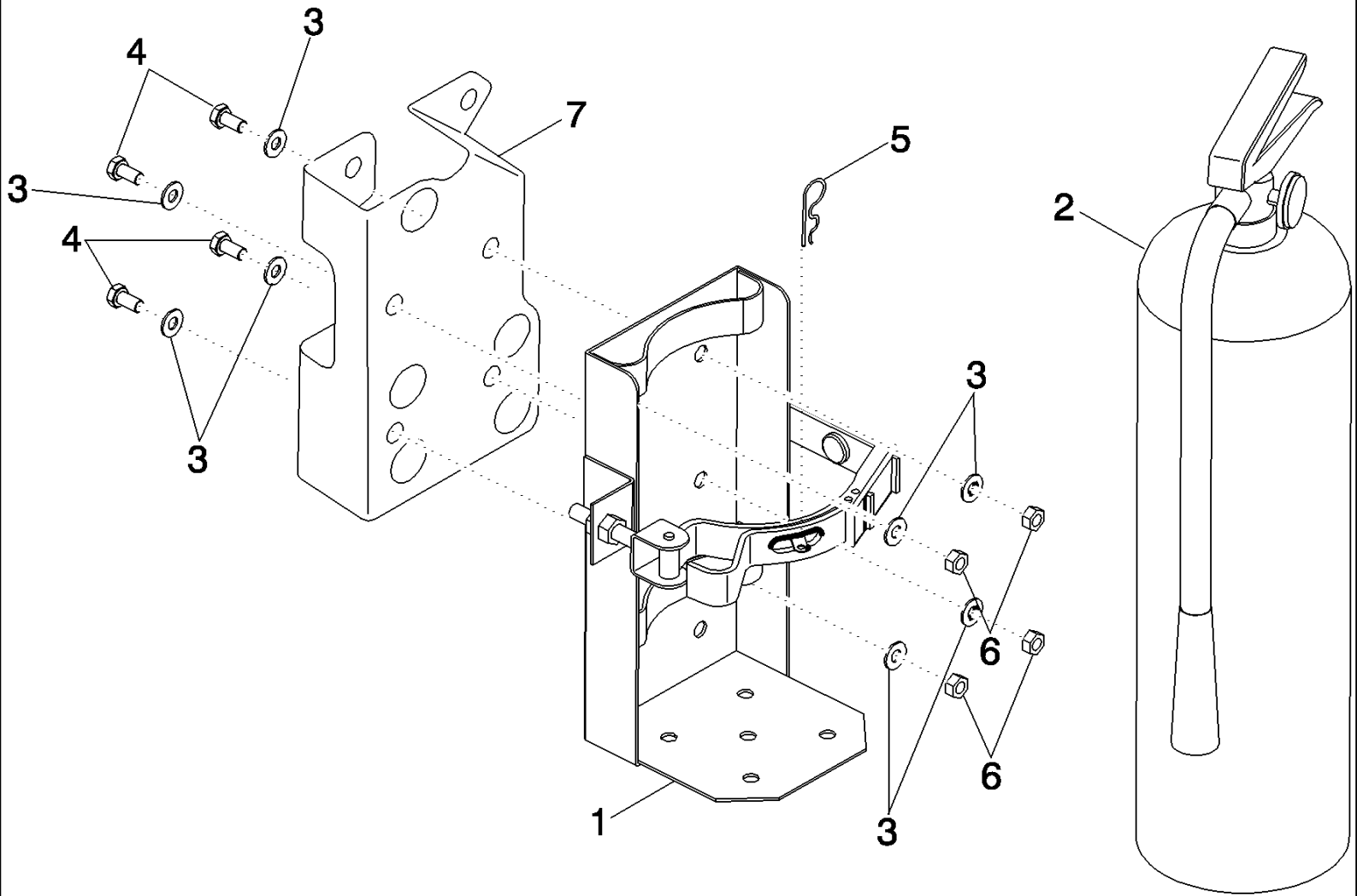
09E-05 AUGERS - GRAIN TANK, LOWER



09G-08 CAB - CONSOLE, RIGHT HAND

Ref	Part Number	Qty	Description
1	345286A1	1	FRAME ASSY,
2	118781A1	3	KNOB, Knob
3	117107A2	1	SUPPORT,
4	827-8040	4	BOLT, Hex, M8 x 40, 10.9,
5	895-15008	4	WASHER, M8 x 20 x 1.6,
6	251495A1	AR	FOAM, No Longer Used
7	282056A1	1	PLUG, If Used, (Not Shown), Without Accumulator
8	353-411	1	PLUG, Dome, 1.000" hole, Nylon,
9	130412A1	1	COVER, Rear
10	87541851	1	COVER ASSY, Right Hand, Inc. 10A, Inc. Decals
10A	128833A2	1	GUIDE,
11	841-4410	2	SCREW, Hex Wash Hd, M4 x 10,
12	614-6030	1	BOLT, Hex, M6 x 30, 8.8, Full Thd,
13	118321A2	1	SKIRT, Front
14	191216A1	4	SCREW, SELF TAPPING, Hex Wash Hd, #10-24 x 5/8",
15	131-861	4	NUT, Tinn, U, #10-24,
	128970A3	1	ARMREST, Inc. 16 - 18
16	NSS	1	NOT SERVICED SEPARATELY, Support
17	128849A2	1	HINGE,
17A	185546A1	1	PLATE,
18	185544A1	5	SCREW,
19	245918C1	AR	CAP, Rocker Switch Opening
20	353-402	AR	PLUG, Dome, .375" hole, Nylon, Switch Opening
22	841-4410	2	SCREW, Hex Wash Hd, M4 x 10,
23	493-81000	2	WASHER, LOCK, Ext-Int Tooth, #10,





09G-24 FIRE EXTINGUISHER

Ref	Part Number	Qty	Description
1	87414154	2	BRACKET, Fire Extinguisher
2	87414153	2	FIRE EXTINGUISHER, 10 lb.
3	322358	16	WASHER, SPRING, Belleville, M8,
4	120103	8	BOLT, Hex, M8 x 16, 8.8,
5	216698	2	PIN, SPLIT (COTTER),
6	9706690	8	NUT, M8, CI 8,
7	87640600	1	BRACKET, Ladder Fire Extinguisher Mount
8	87282419	1	KIT, WHEEL BEARING, Fire Extinguisher