

# CONTENTS

<b>MAINTENANCE ITEMS</b> .....	<b>1-2</b>
MAINTENANCE ITEMS .....	1
<b>MAIN FRAME</b> .....	<b>3-32</b>
SEAT & SEAT BAR .....	11
SEAT .....	13
PANELS .....	15
REAR DOOR .....	17-20
LIFT ARMS & BOB-TACH .....	21-26
BOB-TACH .....	27
FUEL SYSTEM .....	29-32
MAIN FRAME .....	3-6
OPERATOR CAB .....	7-10
<b>DRIVE TRAIN</b> .....	<b>33-44</b>
DRIVE TRAIN .....	33
AXLE .....	35
MOTOR CARRIER .....	37
DISC BRAKE .....	39-44
<b>HYDRAULIC SYSTEM</b> .....	<b>45-146</b>
BICS CONTROL VALVE .....	141
MANUAL LIFT RELEASE VALVE .....	143
PRESSURE RELEASE VALVE .....	145
HYDRAULIC CIRCUITRY .....	45-68
MANUAL LIFT RELEASE SYSTEM .....	69
AUXILIARY HYDRAULICS .....	71-80
TILT CYLINDER .....	81-86
LIFT CYLINDER .....	87-92
CONTROL PEDALS .....	93
HYDRAULIC CONTROL VALVE .....	95-140
<b>HIGH FLOW HYDRAULICS</b> .....	<b>147-162</b>
HIGH FLOW HYDRAULICS .....	147-162
<b>HYDROSTATIC SYSTEM</b> .....	<b>163-206</b>
HYDROSTATIC CIRCUITRY .....	163-178
HAND CONTROLS .....	179-182
HYDROSTATIC MOTOR .....	183-186
HYDROSTATIC PUMP .....	187-198
GEAR PUMP .....	199-202
HYDROSTATIC OIL FILTER .....	203-206
<b>ELECTRICAL SYSTEM</b> .....	<b>207-250</b>
CAB ELECTRICAL CIRCUITRY .....	207-210
ENGINE ELECTRICAL CIRCUITRY .....	211-218
CONTROLS ELECTRICAL .....	219-242
ALTERNATOR .....	243-246
STARTER .....	247-250
<b>POWER UNIT</b> .....	<b>251-368</b>
COOLING SYSTEM .....	251-254
ENGINE & ATTACHING PARTS .....	255-268
THROTTLE .....	269
COOLING FAN DRIVE ASSY. ....	271-274
ENGINE & GASKET KITS .....	275-320
GEARCASE .....	279-322
CRANKCASE .....	281-328
ROCKER ARM COVER .....	283-330

## CONTENTS (Cont'd)

### POWER UNIT

VALVE ROCKER ARM .....	285-332
CYLINDER HEAD .....	287-334
OIL PAN .....	289-336
PISTON & CRANKSHAFT .....	291-338
FUEL CAMSHAFT .....	293-340
CAMSHAFT .....	295-342
WATER PUMP .....	297-344
WATER FLANGE & THERMOSTAT .....	299-346
MANIFOLDS .....	301-348
ENGINE STOP LEVER .....	303-354
GOVERNOR .....	305-356
SPEED CONTROL PLATE .....	307-358
FUEL & INJECTION PUMPS .....	309-360
INJECTION PUMP .....	311-362
INJECTOR NOZZLES .....	313-364
INJECTOR HOLDER .....	315-366
OIL COOLER .....	323-326
TURBO CHARGER .....	349
OIL PIPE .....	351
AIR CLEANER .....	367

### REPLACEMENT ENGINE ..... 369-446

ENGINE & GASKET KITS .....	369-406
GEARCASE .....	371-408
OIL PAN .....	373-420
CRANKCASE .....	375-412
ROCKER ARM COVER .....	377-414
VALVE ROCKER ARM .....	379-416
CYLINDER HEAD .....	381-418
PISTON & CRANKSHAFT .....	383-422
FUEL CAMSHAFT .....	385-424
CAMSHAFT .....	387-426
WATER PUMP .....	389-428
WATER FLANGE & THERMOSTAT .....	391-430
MANIFOLDS .....	393-432
ENGINE STOP LEVER .....	395-438
GOVERNOR .....	397-440
SPEED CONTROL PLATE .....	399-442
FUEL & INJECTION PUMP .....	401
INJECTOR NOZZLES .....	403-446
OIL COOLER .....	409
TURBO CHARGER .....	433
OIL PIPE .....	435
FUEL & INJECTION PUMPS .....	443

### ACCESSORIES & OPTIONS ..... 447-666

ACCESS COVER .....	447
ACCESSORIES HARNESS .....	449
ACS CONVERSION KIT .....	451
AXLE SEAL KIT .....	453
BACK-UP ALARM .....	455
BEACON .....	457
BLOCK HEATER .....	459

## CONTENTS (Cont'd)

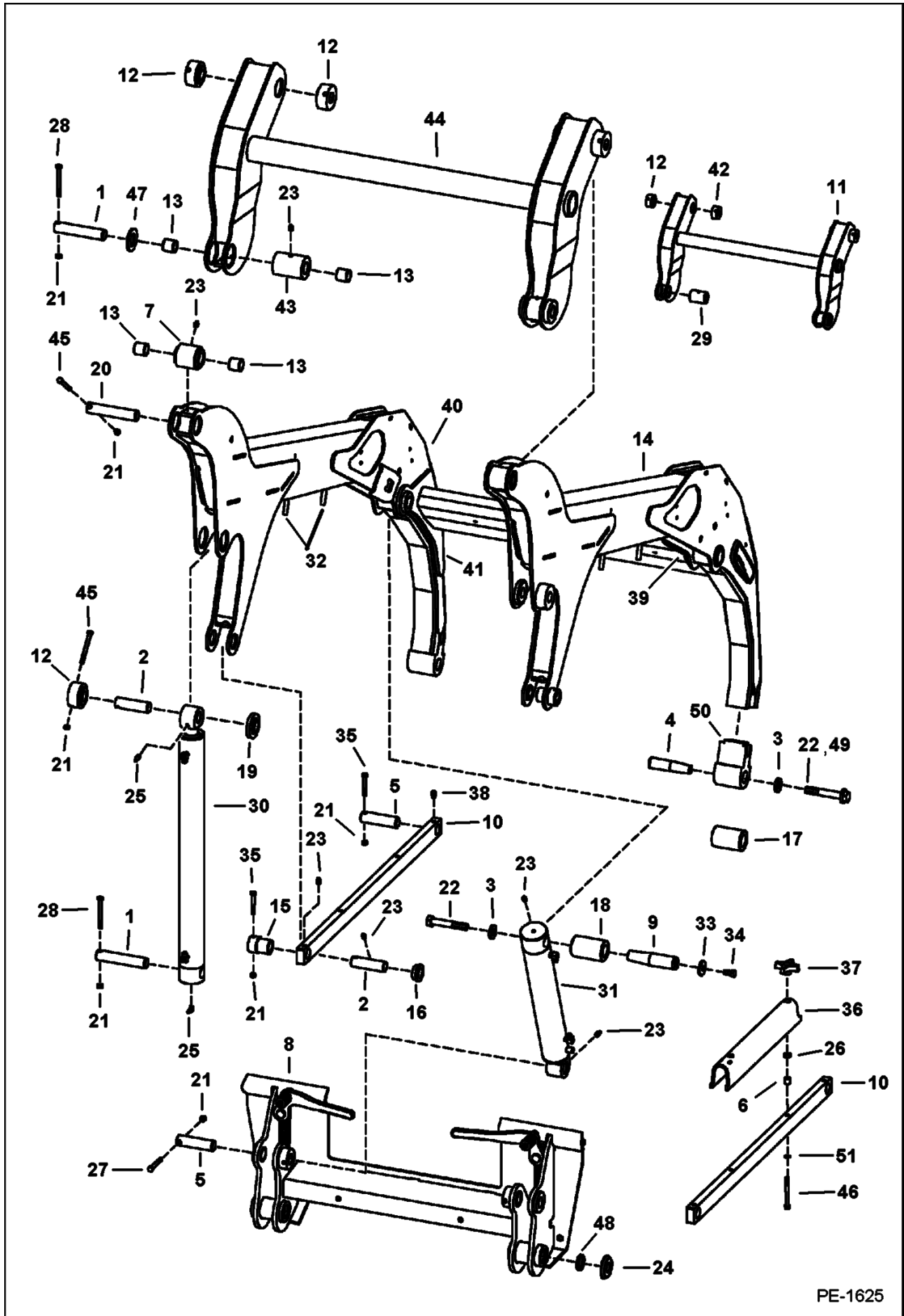
### ACCESSORIES & OPTIONS

BOB-TACH LEVERS .....	461
BUCKET POSITIONING VALVE KIT .....	463-468
BUCKET POSITIONING VALVE .....	469
CAB DOOR .....	471-490
CAB ENCLOSURE .....	491-494
CAB WINDOWS .....	495-502
COUNTERWEIGHT KIT .....	503-506
DECALS .....	507-510
DELUXE CAB .....	511-514
DUAL BATTERY KIT .....	515-518
ELECTRICAL CONNECTOR KIT .....	519
ELECTRICAL CONTROLS KIT .....	521-528
ENGINE MOUNT KIT .....	529
EUROPEAN ACCESSORIES .....	531-536
EUROPEAN ACCESSORIES .....	537-540
FIRE EXTINGUISHER .....	541
F.O.P.S. KIT .....	543
FLASHER LIGHTS .....	545
GAS SPRING KIT .....	547
FRONT AUXILIARY .....	549
HAND CONTROL KIT .....	551-554
HEATER & A/C .....	555-580
HEATER .....	573
HORN KIT .....	581
LIFT KIT .....	583-586
LIGHT KIT .....	587
MUFFLER/PURIFIER KIT .....	589
PEDAL EXTENDERS .....	591
POWER BOB-TACH KIT .....	593-600
POWER BOB-TACH .....	601-614
RADIATOR SCREEN KIT .....	615
REAR AUXILIARY .....	617-630
REAR AUXILIARY VALVE .....	631
REAR DOOR LOCK .....	633
SEAL ENCLOSURE KIT .....	635
REAR WIPER .....	637
SEAT .....	639-642
SEAT BELT .....	643-648
SOUND KIT .....	649
SOUND OPTION .....	651
SOUND REDUCTION HARDHAT .....	653
STROBE LIGHT .....	655
TIRES & RIMS .....	657-660
WHITE DECAL KIT .....	661
BULK ITEMS .....	663-666
<b>NUMERICAL INDEX .....</b>	<b>668-731</b>

## MAINTENANCE ITEMS (Cont'd)

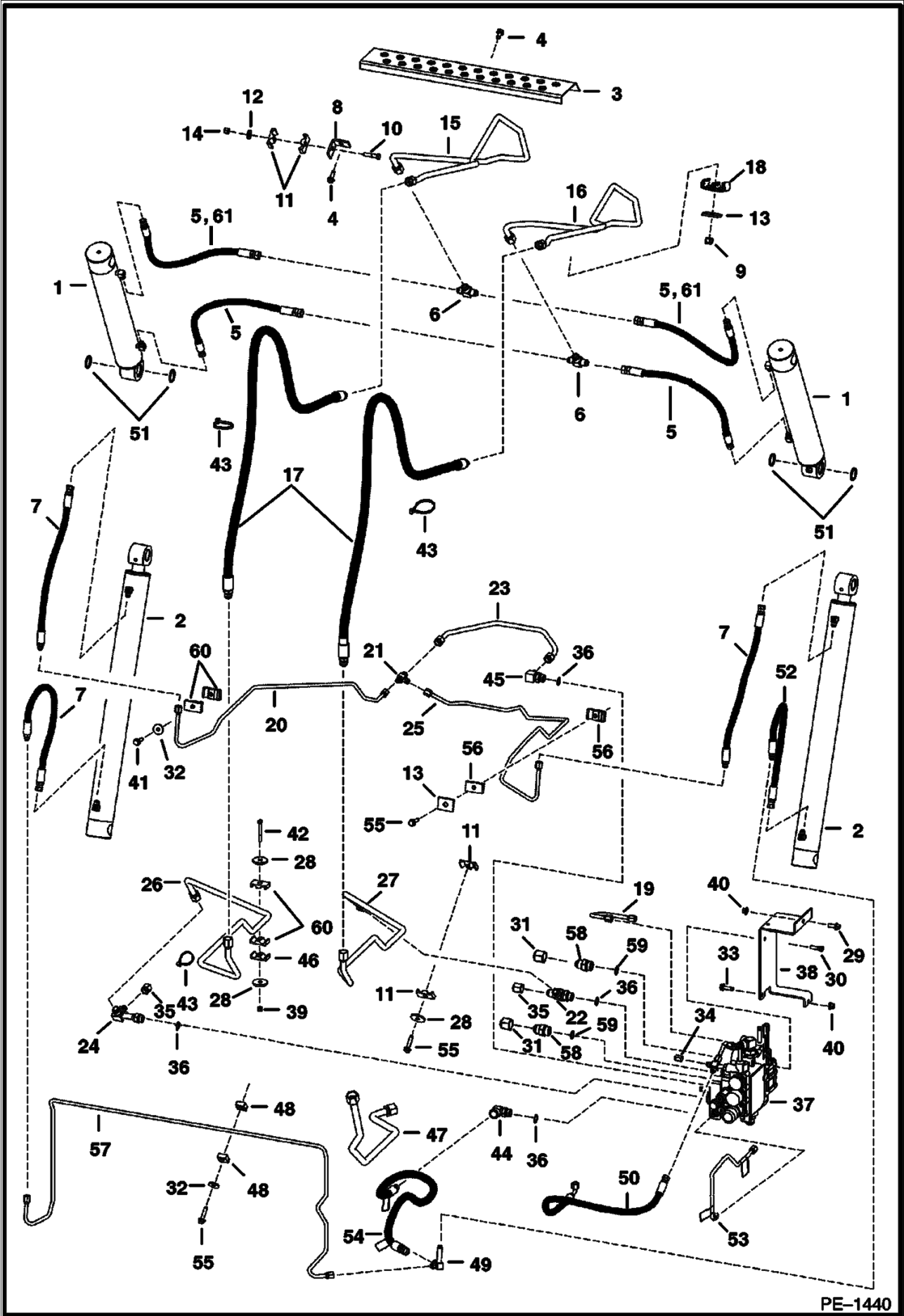
Ref No	Part Number	Description	Remarks	Serial Number	Qty
1	6675517	FILTER, OIL ENG	See Illustration GEARCASE/ B17146 See Illustration GEARCASE/ B13160		x
2	6667352	FILTER, FUEL W/SEPERATOR 12	See Illustration FUEL SYSTEM/ PE1627		x
3	6598362	ELEMENT	See Illustration AIR CLEANER/ B16478 - inner air cleaner		x
4	6598492	ELEMENT	See Illustration AIR CLEANER/ B16478 - outer air cleaner		x
5	6661248	FILTER, OIL HYD 12	See Illustration HYDROSTATIC OIL FILTER/ B17469 hydrostatic #3 media - 6" (152,4mm) long		x
5	6661807	FILTER, OIL HYD	See Illustration HYDROSTATIC OIL FILTER/ B13527 - in-line		x
6	6674687	BATTERY, DRY 600 AMP	See Illustration ENGINE ELECTRICAL CIRCUITRY/ PE1040R See Illustration ENGINE ELECTRICAL CIRCUITRY/ PE1104		x
7	6903117	FLUID, OIL HYD 2.5 GAL 2	Was 6563328 [A]		x
7	6903118	FLUID, OIL HYD 5 GAL	Was 6722344 [A]		x
7	6903119	FLUID, OIL HYD 55 GAL	Was 6563330 [A]		x
8	6903107	OIL, 10W30 QT. 12	Was 6657301 [A]		x
8	6903108	OIL, 10W30 GAL. 6	Was 6724557 [A]		x
8	6903112	OIL, 10W30 2.5 GAL 2	Was 6674205 [A]		x
8	6903105	OIL, 15W40 QT. 12	Was 6657299 [A]		x
8	6903106	OIL, 15W40 GAL. 6	Was 6724558 [A]		x
8	6903113	OIL, 15W40 2.5 GAL. 2	Was 6674204 [A]		x
8	6903109	OIL 30W QT. 12	Was 6657303 [A]		x
8	6903110	OIL, 30W GAL. 6	Was 6724559 [A]		x
8	6903111	OIL 30W 2.5 GAL 2	Was 6674206 [A]		x
9	6900834	MANUAL SERVICE 773 LOADER	Service Manual		1
10	6900842	MANUAL OPERATION 773/773H LOADER	Operation & Maintenance Manual		1
11	6900939	MANUAL PARTS 773 LOADER	printed		1
11	6900939-CD	MANUAL PARTS 773 LOADER CD			1
12	6718719	HANDBOOK, OPERATOR'S	See Illustration DECALS/ B17183 W/wire rope [A]		1

# LIFT ARMS & BOB-TACH (Cont'd)



PE-1625

**HYDRAULIC CIRCUITRY**  
 (W/O BPV) (S/N 500K11978 & Above, 517620141 & Above,  
 518012387 & Above, 518112246 & Above, 519021021 & Above, 519212364 & Above)



PE-1440

## LIFT CYLINDER (Cont'd)

Ref No	Part Number	Description	Remarks	Serial Number	Qty
1	7117667	CYLINDER, LIFT	Ref. 2 - 16		2
2	7117668	TUBE, CASE CYL LIFT			1
3	6678931	PISTON	W/Ref. 9 & 10 - Also has Non-Replaceable wear sleeves		1
4	6806124	HEAD			1
5	7107896	ROD	32.29" (820,2mm) long		1
6	6809593	SPACER			1
7	82K230	SEAL			1
8	6810539	NUT			1
9	1522534	SEAL			1
10	25K30202	O RING 10			1
11	25K40208	O RING 10	Was 54K40208 [B]		1
12	73K228	BACK-UP RING	back-up		1
13	6667326	SEAL	rod		1
14	6690707	SEAL	wiper - Was 6665086 [A]		1
15	6812170	PLUG			2
15	75K3	O-RING			2
16	11H15	GREASE FITTING			2
17	7135559	SEAL KIT	Ref. 7-14 - Was 6816537 [A]		1

**HYDRAULIC CONTROL VALVE (Cont'd)  
(Service Valve) (Advanced Control Systems)**

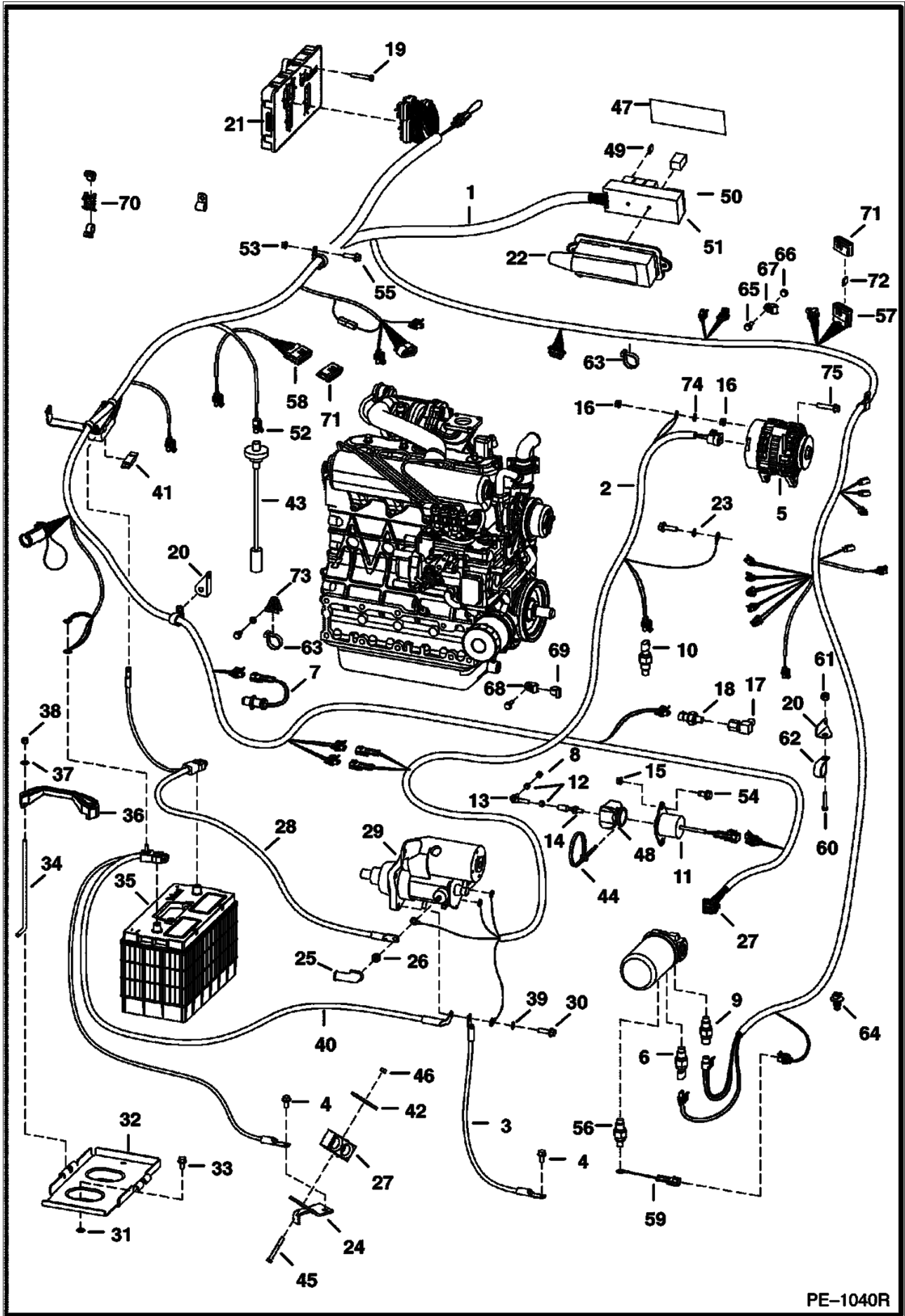
Ref No	Part Number	Description	Remarks	Serial Number	Qty
37	6596332	SPRING			2
38	6806007	SPRING	blue		2
39	6662848	CAP			1
40	6803092	BONNET	.625" flange		1
41	6801167	PLUG	plastic - .685" long		1
42	6595663	BUSHING			2
43	6588781	END CAP			2
44	6592720	PLUG	W/ Ref. 23-25		5
45	25K20012	O RING 10			1
46	58K124	O RING 10			2
47	7108780	SLEEVE	Was 6595951 [A]		2
48	6816250	KIT, SEAL	One Spool - Ref. 2, 3, 4, 16, 21 & 26 - Was 6803605 [A]		x
48	6632279	KIT, SEAL	main relief - Ref. 17-20 - main relief		x
48	6809425	SEAL KIT	Ref. 13 & 23-25		x
48	6816253	KIT, SEAL	Complete - Ref. 2, 4, 13, 16-20, 21, 23-26, 34, 36 & 46 - also Order 6816250 seal kit - Was 6809448 [A]		x



## HYDROSTATIC CIRCUITRY (Cont'd)

Ref No	Part Number	Description	Remarks	Serial Number	Qty
13	84G3712	BOLT			2
14	6729083	MOUNT	Was 6728140 [A]	500K 11039 & Abv	1
15		PUMP	See Illustration HYDROSTATIC PUMP/ B17103		1
16	17C610	BOLT			4
17		HOSE	NAP - 18.5" (469,9 mm) long - Order Ref. 36 - Was 6735651 [A]		1
18	17KB1210	ELBOW	W/Ref. 19 - Was 6714901 [A]		1
19	79K10	O RING 10			x
20	90K5	PLUG	socket head - check boss face to determine correct replacement o-ring - Was 90KV00008B [D]		1
21	15KB1212	ADAPTER	W/Ref. 11 - Was 15KV00008B	500K 11039 & Abv	1
21	15KB1212	ADAPTER	W/Ref. 11 - Was 15KV00008B	5190 16000 & Abv.	1
21	15KB1212	ADAPTER	W/Ref. 11 - Was 15KV00008B	5181 12000 & Abv	1
21	15KB1212	ADAPTER	W/Ref. 11 - Was 15KV00008B	5192 12000 & Abv	1
21	15KB1212	ADAPTER	W/Ref. 11 - Was 15KV00008B	5180 12000 & Abv	1
21	15KB1212	ADAPTER	W/Ref. 11 - Was 15KV00008B	5176 18000 & Abv	1
21	97K12	O'RING	flared end		1
22	6715653	TEE	W/Ref. 11 - check boss face to determine correct replacement o-ring		1
22	97K12	O'RING	flared end		1
23	6718661	ELBOW	W/Ref. 11 - check boss face to determine correct replacement o-ring	500K 11038 & Bel	1
23	6718661	ELBOW	W/Ref. 11 - check boss face to determine correct replacement o-ring	5192 11999 & Bel	1
23	6718661	ELBOW	W/Ref. 11 - check boss face to determine correct replacement o-ring	5180 11999 & Bel	1
23	6718661	ELBOW	W/Ref. 11 - check boss face to determine correct replacement o-ring	5181 11999 & Bel	1
23	6718661	ELBOW	W/Ref. 11 - check boss face to determine correct replacement o-ring	5190 15999 & Bel	1
23	6718661	ELBOW	W/Ref. 11 - check boss face to determine correct replacement o-ring	5176 17999 & Bel	1
24		FILTER ASSY	See Illustration HYDROSTATIC OIL FILTER/ B17469		1
24	6661248	FILTER, OIL HYD 12	6" (152,4mm) long		1
25	6700599	ELBOW	W/Ref. 11 - check boss face to determine correct replacement o-ring	500K 11038 & Bel	1
25	6700599	ELBOW	W/Ref. 11 - check boss face to determine correct replacement o-ring	5180 11999 & Bel	1
25	6700599	ELBOW	W/Ref. 11 - check boss face to determine correct replacement o-ring	5192 11999 & Bel	1
25	6700599	ELBOW	W/Ref. 11 - check boss face to determine correct replacement o-ring	5190 15999 & Bel	1
25	6700599	ELBOW	W/Ref. 11 - check boss face to determine correct replacement o-ring	5181 11999 & Bel	1
25	6700599	ELBOW	W/Ref. 11 - check boss face to determine correct replacement o-ring	5176 17999 & Bel	1
26	6719992	TUBE	Was 6717417 [A]	500K 11038 & Bel	1
26	6719992	TUBE	Was 6717417 [A]	5176 17999 & Bel	1
26	6719992	TUBE	Was 6717417 [A]	5180 11999 & Bel	1
26	6719992	TUBE	Was 6717417 [A]	5192 11999 & Bel	1
26	6719992	TUBE	Was 6717417 [A]	5190 15999 & Bel	1
26	6719992	TUBE	Was 6717417 [A]	5181 11999 & Bel	1
27		MOUNT	NAP - filter drain - Order Ref. 14, 28 & (2) of Ref. 29 - Was 6717381 [A]		1
28	6729082	MOUNT		5176 18000 & Abv	1

**ENGINE ELECTRICAL CIRCUITRY**  
 (S/N 500K11039 & Above, 517618000 & Above, 518012000 & Above,  
 518112000 & Above, 519016000 & Above, 519212000 & Above)

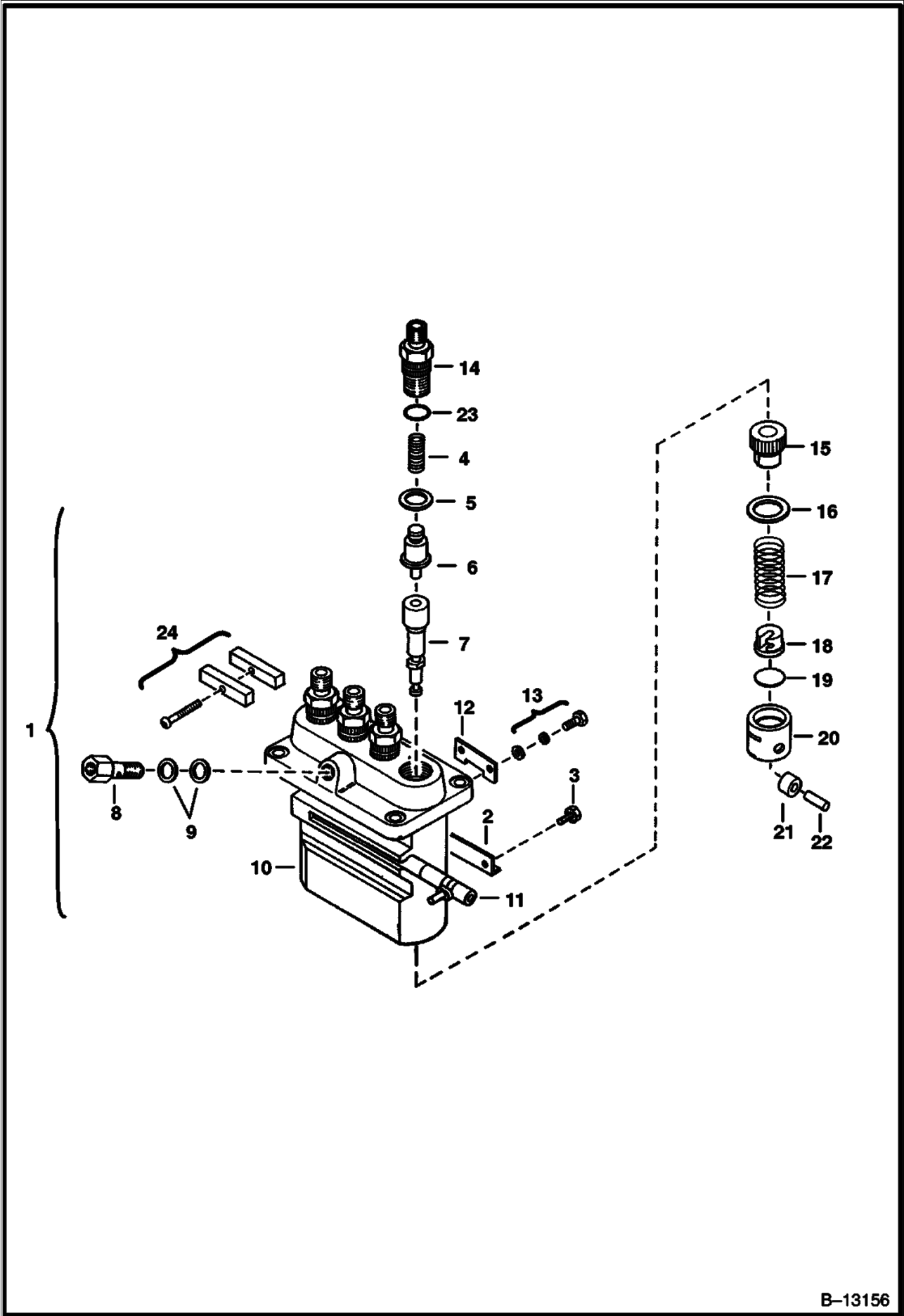


PE-1040R

**ENGINE & ATTACHING PARTS (Cont'd)**  
**(Belt Drive System)**

Ref No	Part Number	Description	Remarks	Serial Number	Qty
1	73G656	SCREW			1
2	6704484	WASHER	thrust		3
3	6702474	RETAINER	fan drive idler belt		1
4	6704443	BUSHING	spacer		1
5	6660995	GREASE RING	grease		2
6	6662997	PULLEY, FAN DRIVE IDLER	fan drive idler		1
7	6704444	WASHER			1
8	61D6	NUT 5			1
9	38C820	SCREW	shoulder		1
10	6655781	BEARING			1
11	6704820	O-RING			2
12	6670682	BEARING	nylon		1
13	6725212	ARM	W/Ref. 12 - Was 6703507 [A]		1
14	6700115	SPRING, TORSION			1
15		BELT	See Illustration COOLING SYSTEM/ PE1043 - Ref. 25 - fan drive		1
16	92D12	NUT			1
17	6576033	WASHER			1
18	6704424	PULLEY, PUMP HYD	to hyd. pump - 3 groove - 7.4" (188 mm) dia.	5176 16547 & Bel	1
18	6704424	PULLEY, PUMP HYD	to hyd. pump - 3 groove - 7.4" (188 mm) dia.	5180 11614 & Bel	1
18	6704424	PULLEY, PUMP HYD	to hyd. pump - 3 groove - 7.4" (188 mm) dia.	5190 15163 & Bel	1
18	6704424	PULLEY, PUMP HYD	to hyd. pump - 3 groove - 7.4" (188 mm) dia.	5192 11131 & Bel	1
18	6726539	PULLEY	to hyd. pump - 3 groove - 7.95" (202 mm) dia.	500K 11001 & Abv	1
18	6726539	PULLEY	to hyd. pump - 3 groove - 7.95" (202 mm) dia.	5190 15164 & Abv	1
18	6726539	PULLEY	to hyd. pump - 3 groove - 7.95" (202 mm) dia.	5192 11132 & Abv	1
18	6726539	PULLEY	to hyd. pump - 3 groove - 7.95" (202 mm) dia.	5180 11615 & Abv	1
18	6726539	PULLEY	to hyd. pump - 3 groove - 7.95" (202 mm) dia.	5176 16548 & Abv	1
19	6J807	KEY, WOODRUFF			1
19	6682261	KEY	square key		1
20	6703022	CLIP			3
21	6704450	SHIELD	Use W/Ref. 18 (6704424 Pulley)	5176 16547 & Bel	1
21	6704450	SHIELD	Use W/Ref. 18 (6704424 Pulley)	5192 11131 & Bel	1
21	6704450	SHIELD	Use W/Ref. 18 (6704424 Pulley)	5190 15163 & Bel	1
21	6704450	SHIELD	Use W/Ref. 18 (6704424 Pulley)	5180 11614 & Bel	1
22	6903122	GREASE, MULTI PURPOSE #2 - 10	W/Ref. 39 - Was 6599719 [A]		x
23	6709030	DECAL	belt tension spring loaded idler		1
24	6708770	CAP	dust		1
25	43C610	BOLT	pre-applied thread locker - Was 17C610 [B]		1
26	6705232	WASHER			1
27	6713370	PIN			2
28	6710585	WASHER	wave spring		1
29	17C620	BOLT			1
30	6705231	WASHER			2
31	6719828	BOLT	Was 6CM01230B [B]		2
32	17C828	BOLT	hyd pump mount		2
33	85D8	NUT, 5			2
34	6672021	BELT, DRIVE	pump drive - Use W/Ref. 18 (6704424 Pulley)	5176 16547 & Bel	1
34	6672021	BELT, DRIVE	pump drive - Use W/Ref. 18 (6704424 Pulley)	5180 11614 & Bel	1
34	6672021	BELT, DRIVE	pump drive - Use W/Ref. 18 (6704424 Pulley)	5190 15163 & Bel	1

INJECTION PUMP  
(Kubota - V2203) (1G608-41000)

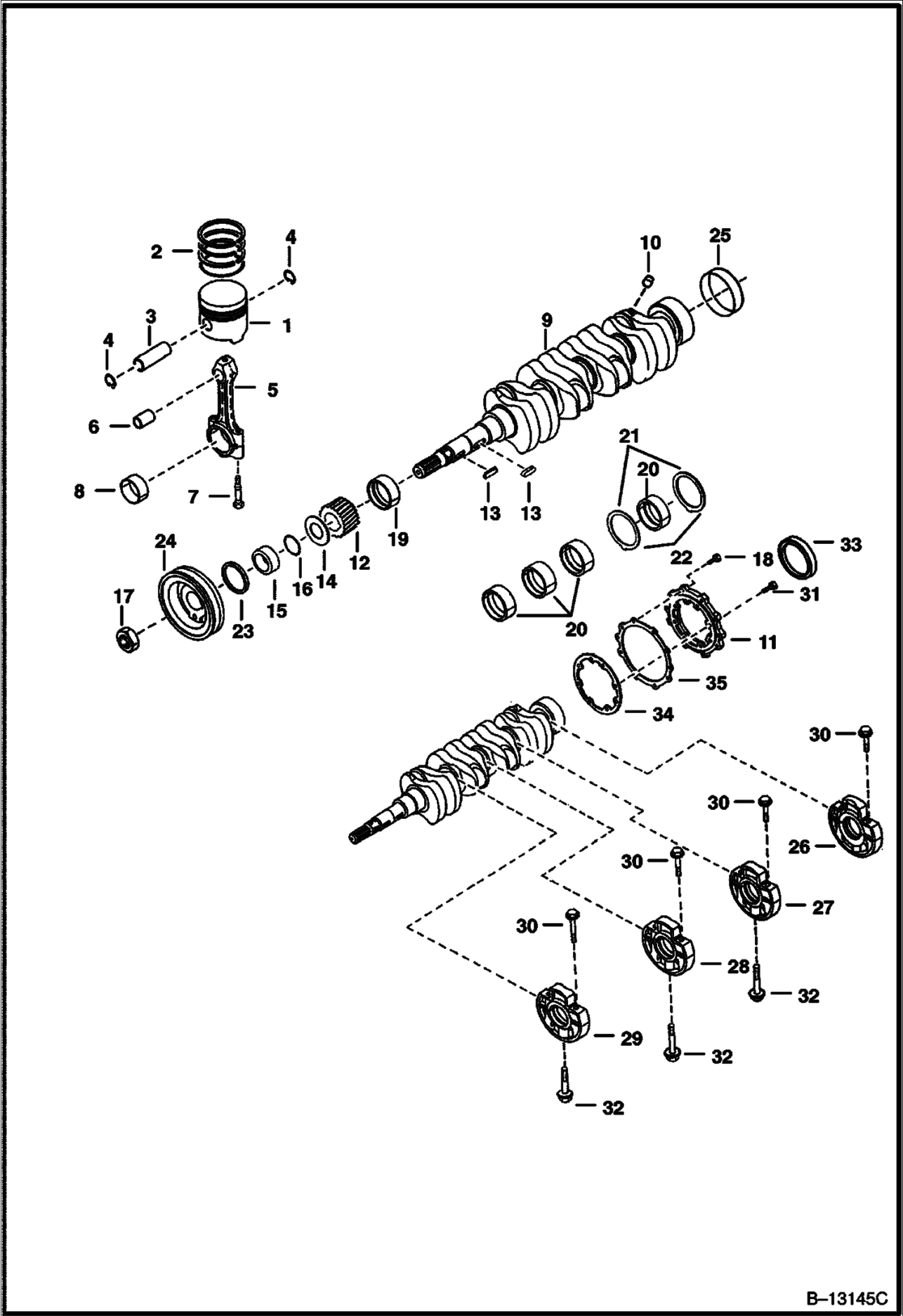


B-13156

**ENGINE STOP LEVER (Cont'd)**  
**(Kubota - V2003T) (1G622-00000)**

Ref No	Part Number	Description	Remarks	Serial Number	Qty
1	3974975	IDLER	assy., idle - Ref. 2-6		1
2	6653906	BOLT ASSY.	adjusting		1
3	2DM8	NUT	adjusting		1
4	3974978	NUT			1
5	3974095	MET-GASK			2
6	3974979	CAP			1
7	6676060	LEVER ASSY.	eng. stop - Ref. 8-12 - Was 6655879 [A]		1
8	6655230	COVER	injection pump		1
9	6655231	SHAFT	lever		1
10	6655232	LEVER	engine stop		1
11	6685476	SEAL	oil - Was 6598703 [B]		1
12	6598098	PIN	spring		1
13	6666783	GASKET	pump cover - Was 3974601B [A]		1
14	6652580	BOLT			3

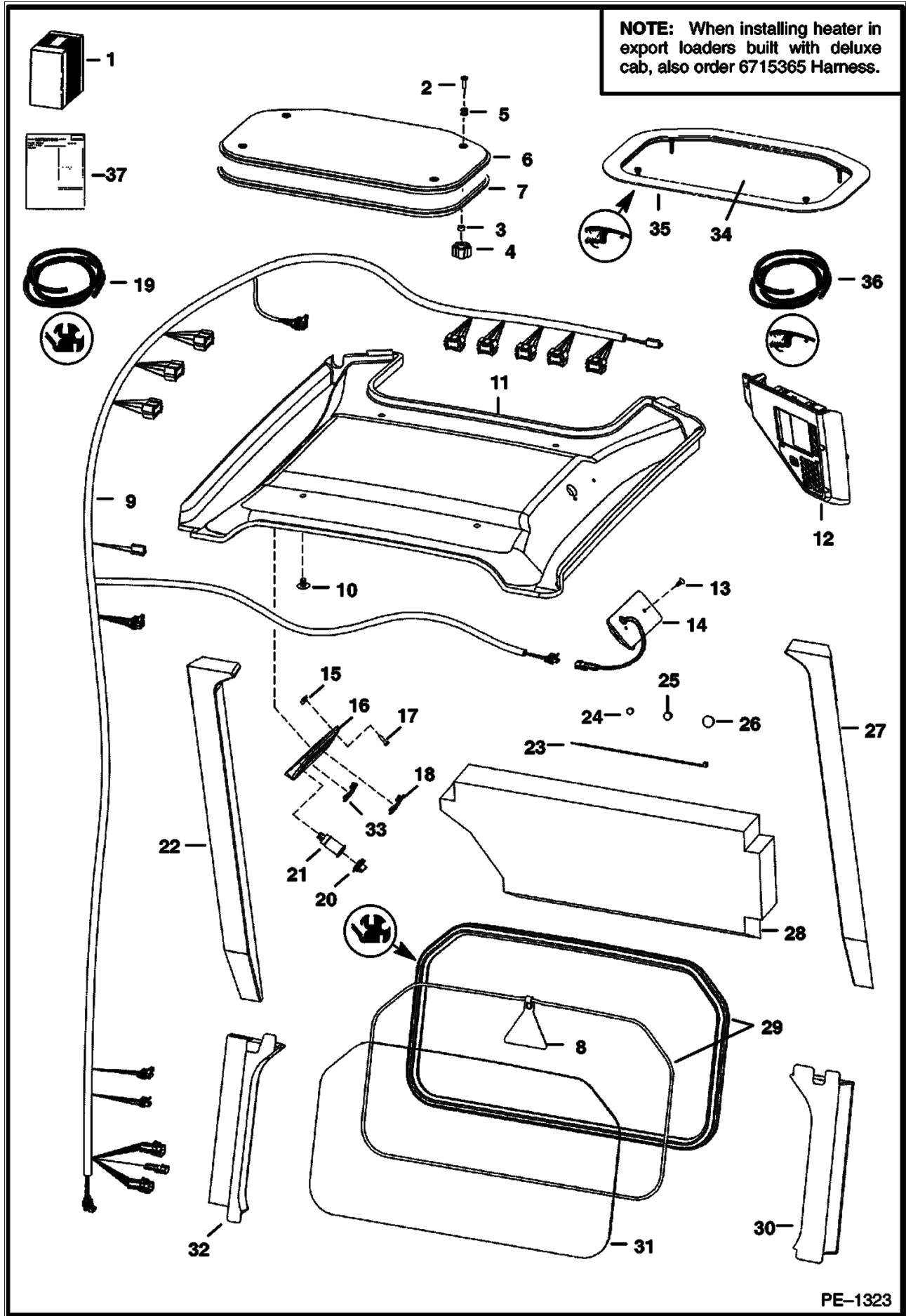
PISTON & CRANKSHAFT  
(Kubota - V2003-T-2EB - Tier II Replacement)  
(1G970-41000)



B-13145C

# DELUXE CAB

**NOTE:** When installing heater in export loaders built with deluxe cab, also order 6715365 Harness.



PE-1323