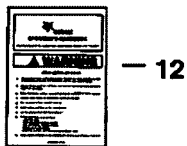
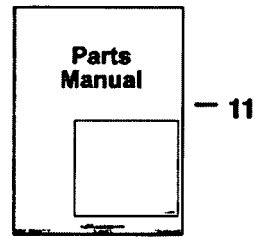
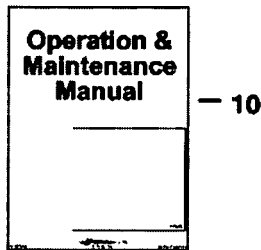
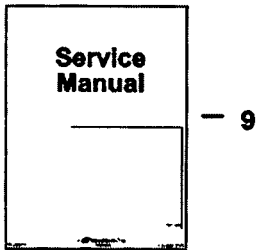
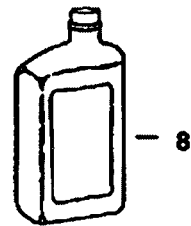
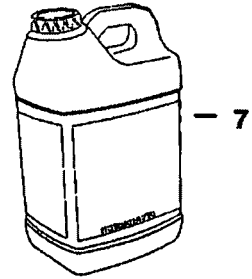
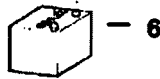
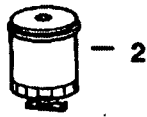


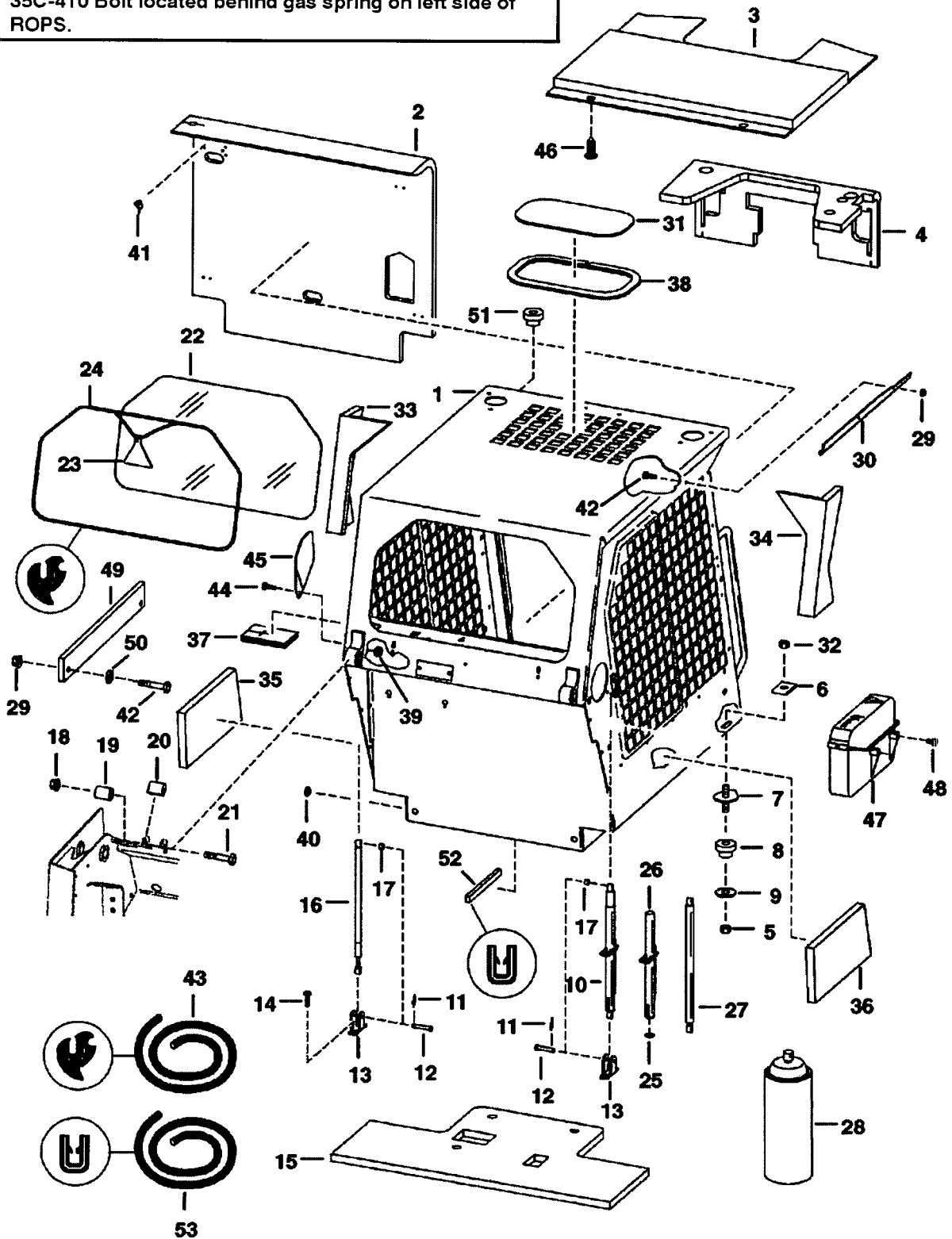
MAINTENANCE ITEMS



B-22668

OPERATOR CAB (Cont'd)

NOTE: 6714062 Gas Spring Kit to be used when loader is equipped W/Cab Enclosure. Because 6714062 Gas Spring is heavy duty W/larger diameter, (2) of 91G-416 Screws, with low profile heads, must be used in place of 35C-410 Bolt located behind gas spring on left side of ROPS.

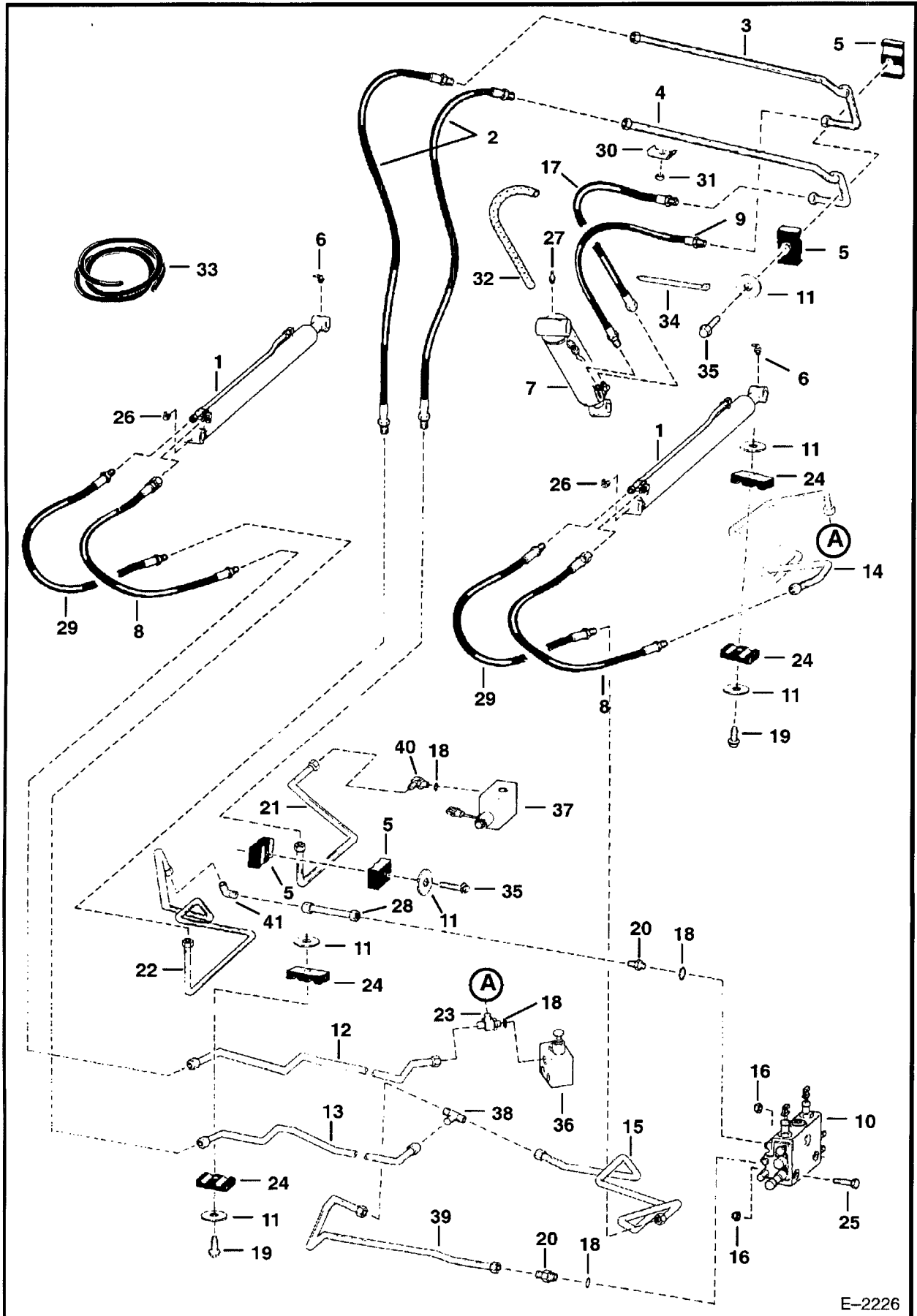


MS-2031

OPERATOR CAB (Cont'd)

No	Part Number	Description	Remarks	Serial Number	Qty
3	6554149	CORD	bulk - Sold Per Foot		x
44	17C000512B	BOLT			1
45	6707879	COVER			1
46	6669308	RETAINER	snap in		2
47	6708827	CONTAINER	manuals		1
48	6702642	SCREW			2
49	6736126	COVER			1
50	25E13	WASHER 5			2
51	6707674	PLUG	round - plugs 1.28" (32,5 mm) dia. hole in cab - Was 6707644 [D]		2
52		MOULDING	NAP - 10.5" (266 mm) long - Order Ref. 53		2
53	6654139	MOULDING	bulk - sold per foot		x

HYDRAULIC CIRCUITRY
 (W/O Bucket Positioning Valve) (S/N 5127 27420 & Below, 5086 94508 & Below)



E-2226

HYDRAULIC CIRCUITRY (Cont'd)
(W/O Bucket Positioning Valve) (S/N 5127 27420 & Below, 5086 94508 & Below)

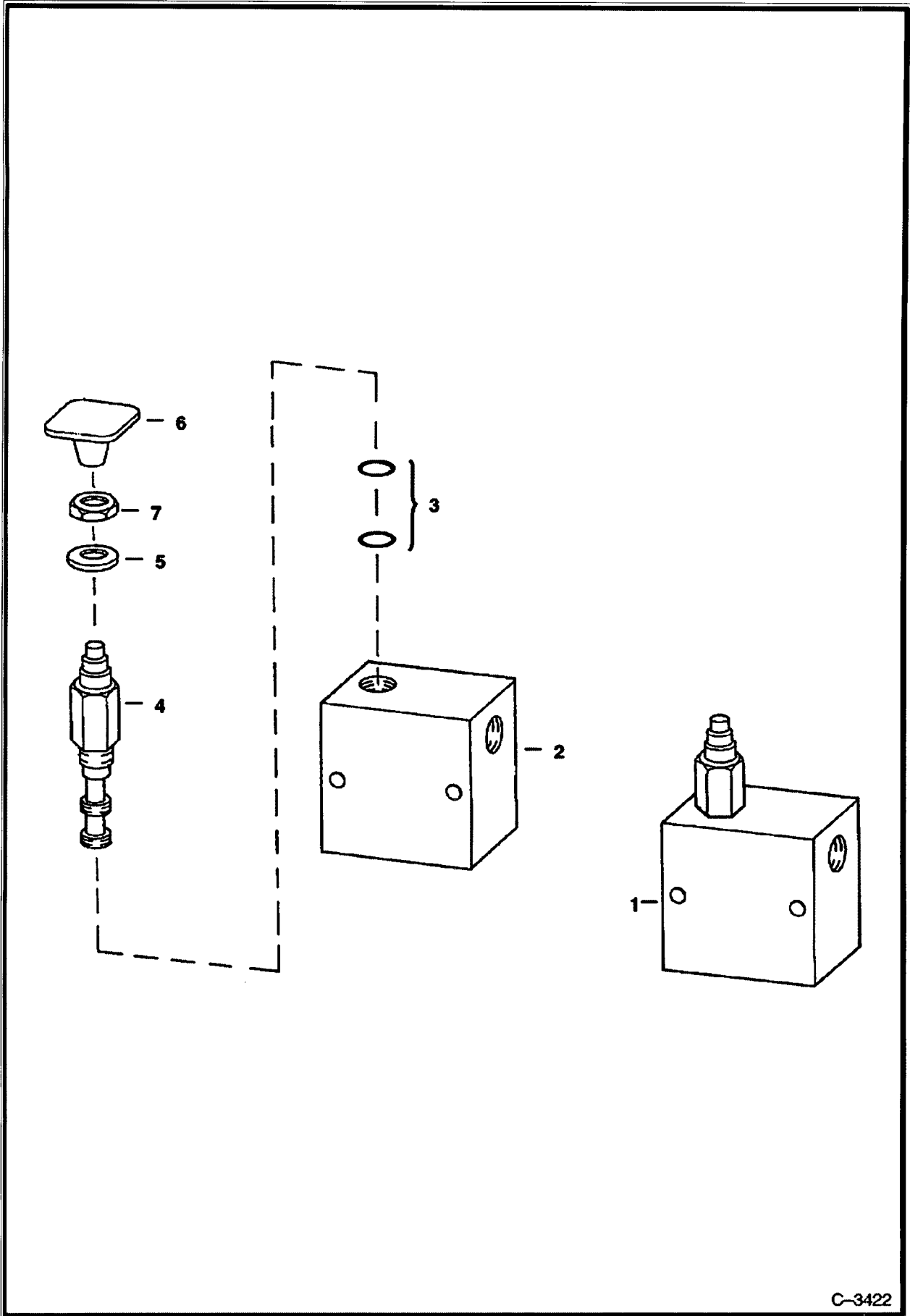
No	Part Number	Description	Remarks	Serial Number	Qty
1		CYLINDER	See Illustration LIFT CYLINDER/ TS1097 LIFT		2
2	6577669	HOSE			2
3	6727840	TUBE	Was 6703608 [A]		1
4	6727841	TUBE	Was 6703609 [A]		1
5	6701893	CLAMP			4
6	12H15	GREASE FITTING			2
7		CYLINDER	See Illustration TILT CYLINDER/ TS1127 TILT		1
8	6577671	HOSE			2
9	6704335	HOSE			1
10		VALVE	See Illustration HYDRAULIC CONTROL VALVE/ E2229		1
11	872229	WASHER			8
12	6706523	TUBE			1
13	6704836	TUBE			1
14	6706522	TUBE			1
15	6706526	TUBE			1
16	85D5	NUT 5			3
17	6704336	HOSE			1
18	79K10	O RING 10			4
19	84G003732B	BOLT			2
20	15K7	FITTING	W/Ref. 18		2
21	6706528	TUBE			1
22	6706527	TUBE			1
23	6578183	TEE	W/Ref. 18		1
24	6701892	CLAMP			4
25	17C532	BOLT 5			2
26	11H15	GREASE FITTING			2
27	10H25	GREASE ZERK			1
28	6705069	TUBE			1
29	6718954	HOSE	Was 6578808 [A]		2
30	6502203	CLAMP			2
31	59D6	NUT			2
32		COVER	NAP - 18" (457,2 mm) long - Order Ref. 33		2
33	6656155	HOSE COVER	bulk - Sold Per Foot		x
34	6610510	TIE			4
35	84G3724	BOLT			1
36	6664850	VALVE	See Illustration LIFT & TILT CONTROL SYSTEM/ E2225 See Illustration LIFT LOCK VALVE/ C3386 LIFT LOCK		1
37	6664849	VALVE	See Illustration LIFT & TILT CONTROL SYSTEM/ E2225 See Illustration TILT LOCK VALVE/ C3387 TILT LOCK		1
38	10K000006B	TEE			1
39	6705141	TUBE			1
40	17K7	ELBOW	W/Ref. 18		1
41	77F000007B	ELBOW			1

LIFT LOCK VALVE (Cont'd)
(S/N 5127 27420 & Below, 5086 94508 & Below)

NO	Part Number	Description	Remarks	Serial Number	Qty
1	6664850	VALVE	Ref. 2-8		1
2	6665490	VALVE			1
3	6665609	CHECK VALVE			1
4	6665610	VALVE	filter		1
5	6667127	PLUG			1
6	6666828	SEAL KIT			1
7	95K4	O-RING	Was 79K000004B [B]		1
8		BLOCK	NSS		1
9	6665611	SEAL KIT			1
10	6665612	SEAL KIT			1

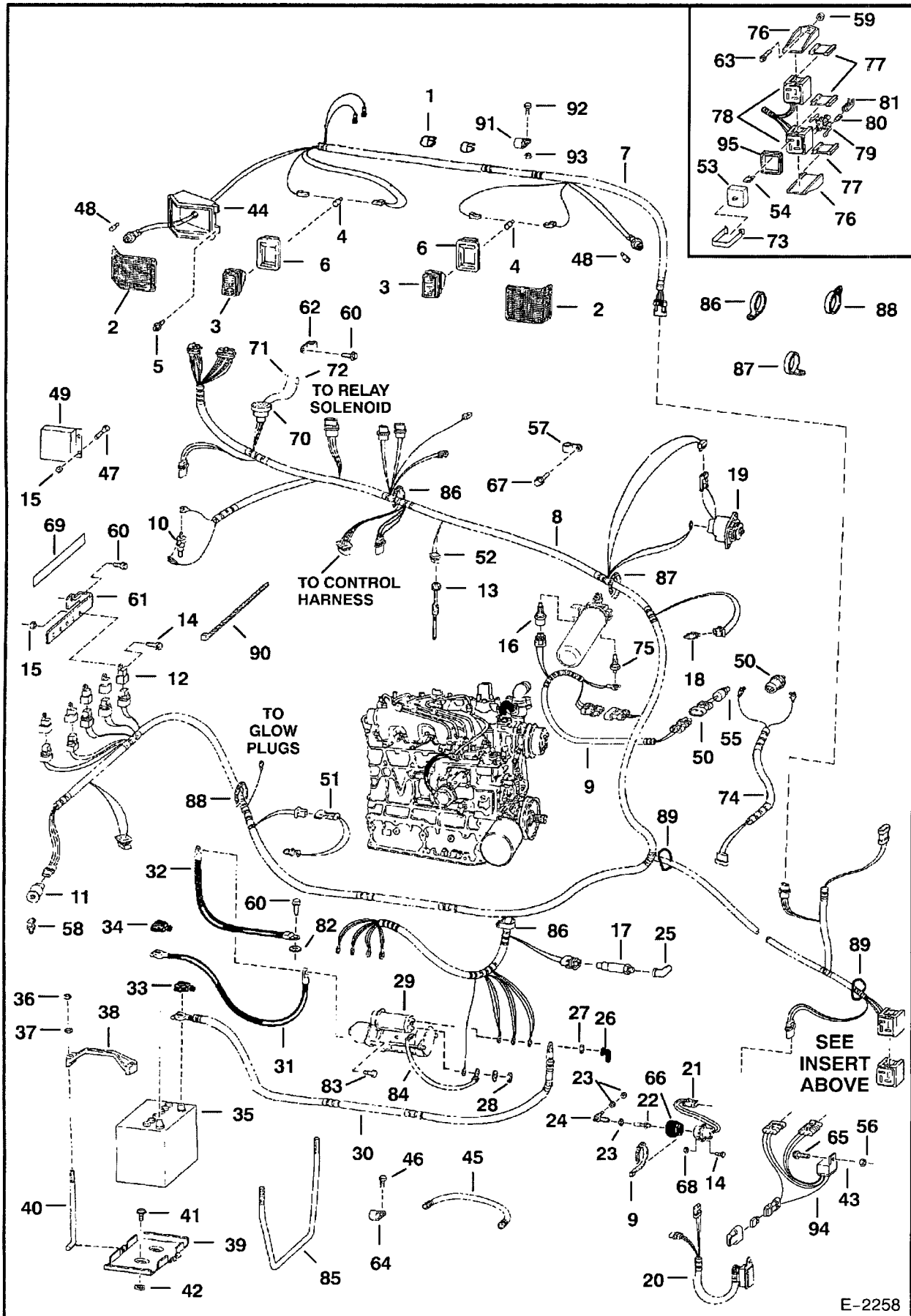
MANUAL LIFT RELEASE VALVE

(S/N 5127 27421 & Abv, 5086 94509 & Abv, 5158 11001-29999, 5162 11001-19999)

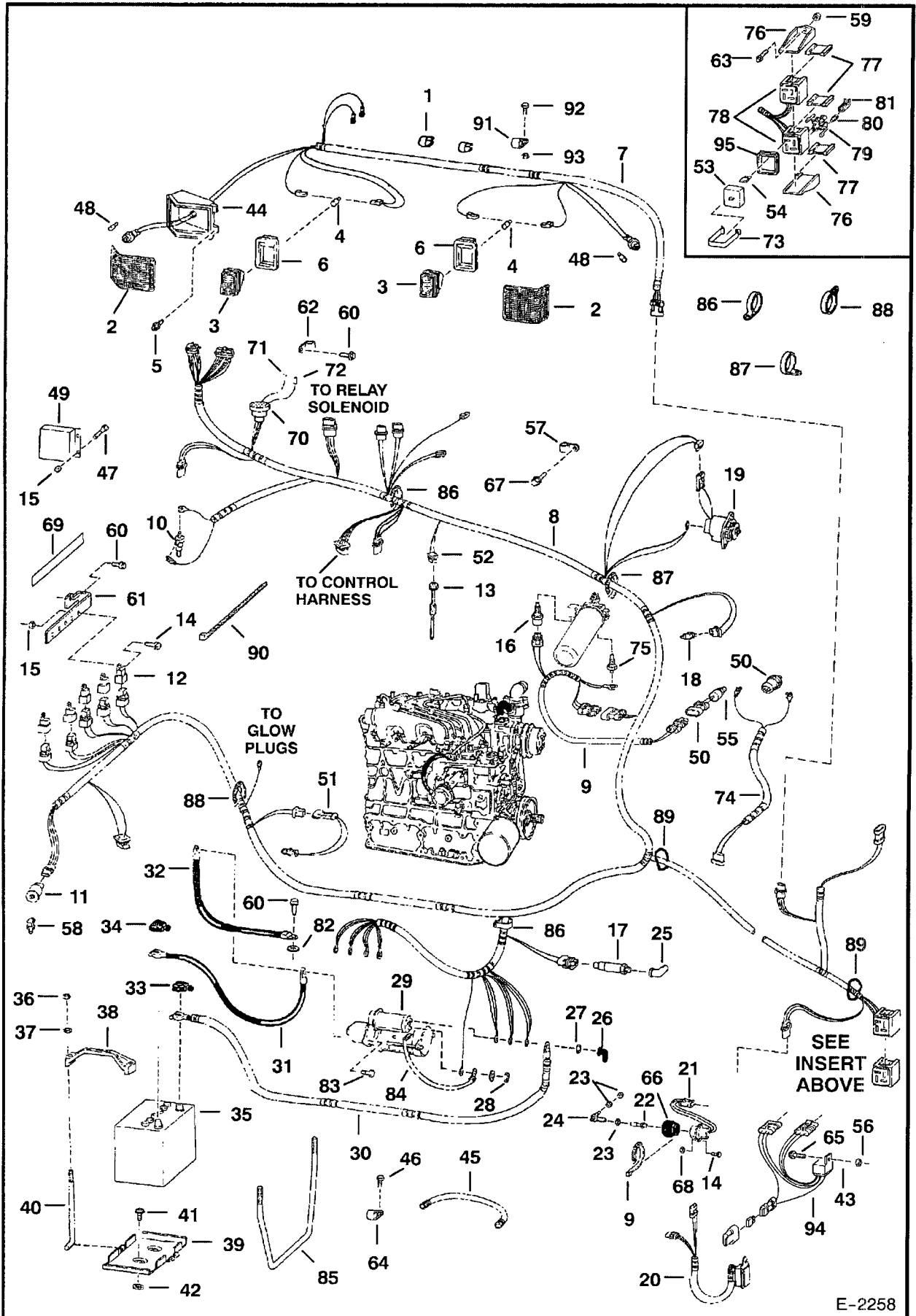


C-3422

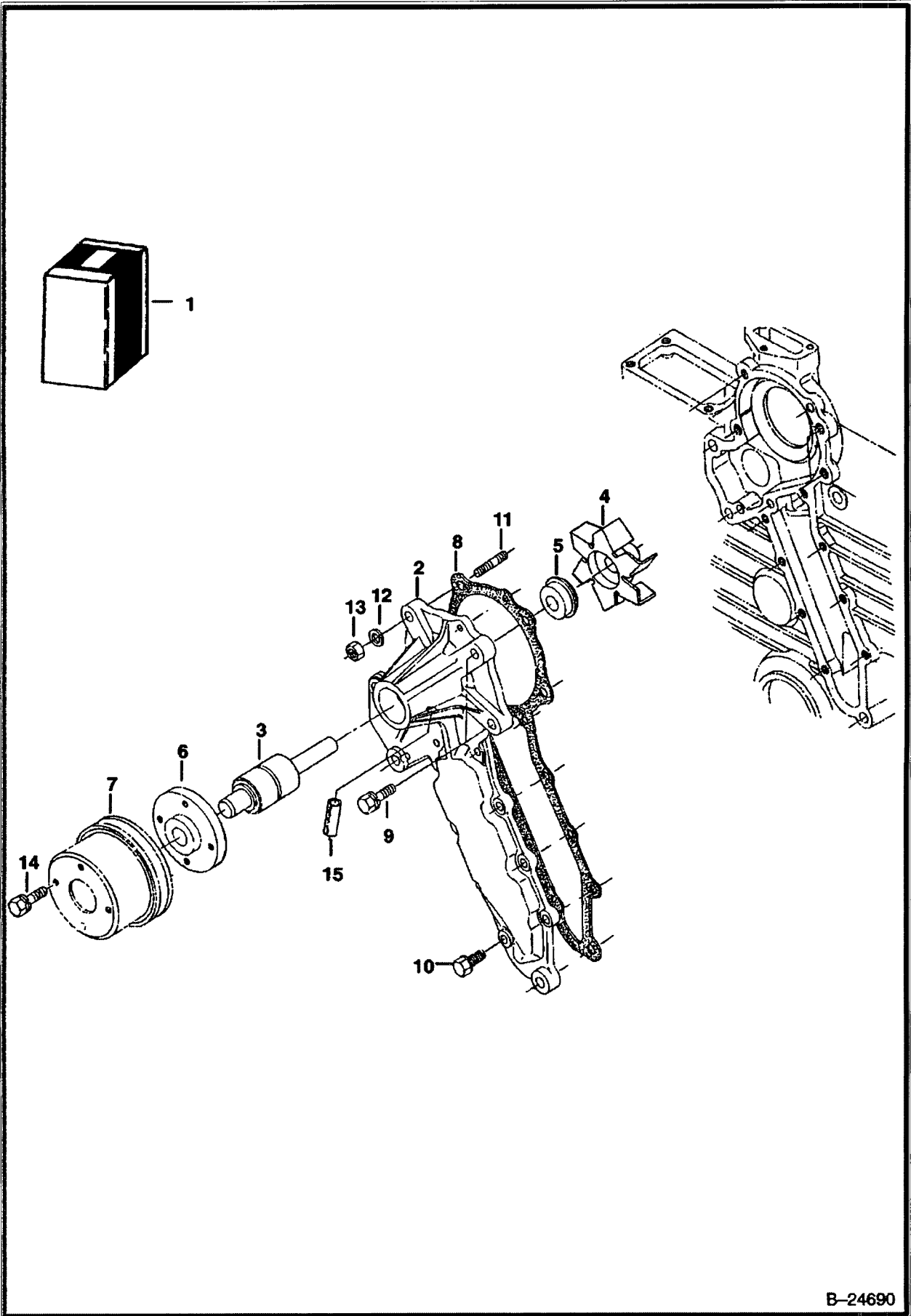
ENGINE ELECTRICAL CIRCUITRY (Cont'd) (W/B.O.S.S. Option)



ENGINE ELECTRICAL CIRCUITRY (Cont'd) (W/B.O.S.S. Option)



WATER PUMP (Kubota - V2203 2EB - Tier II Replacement)



B-24690

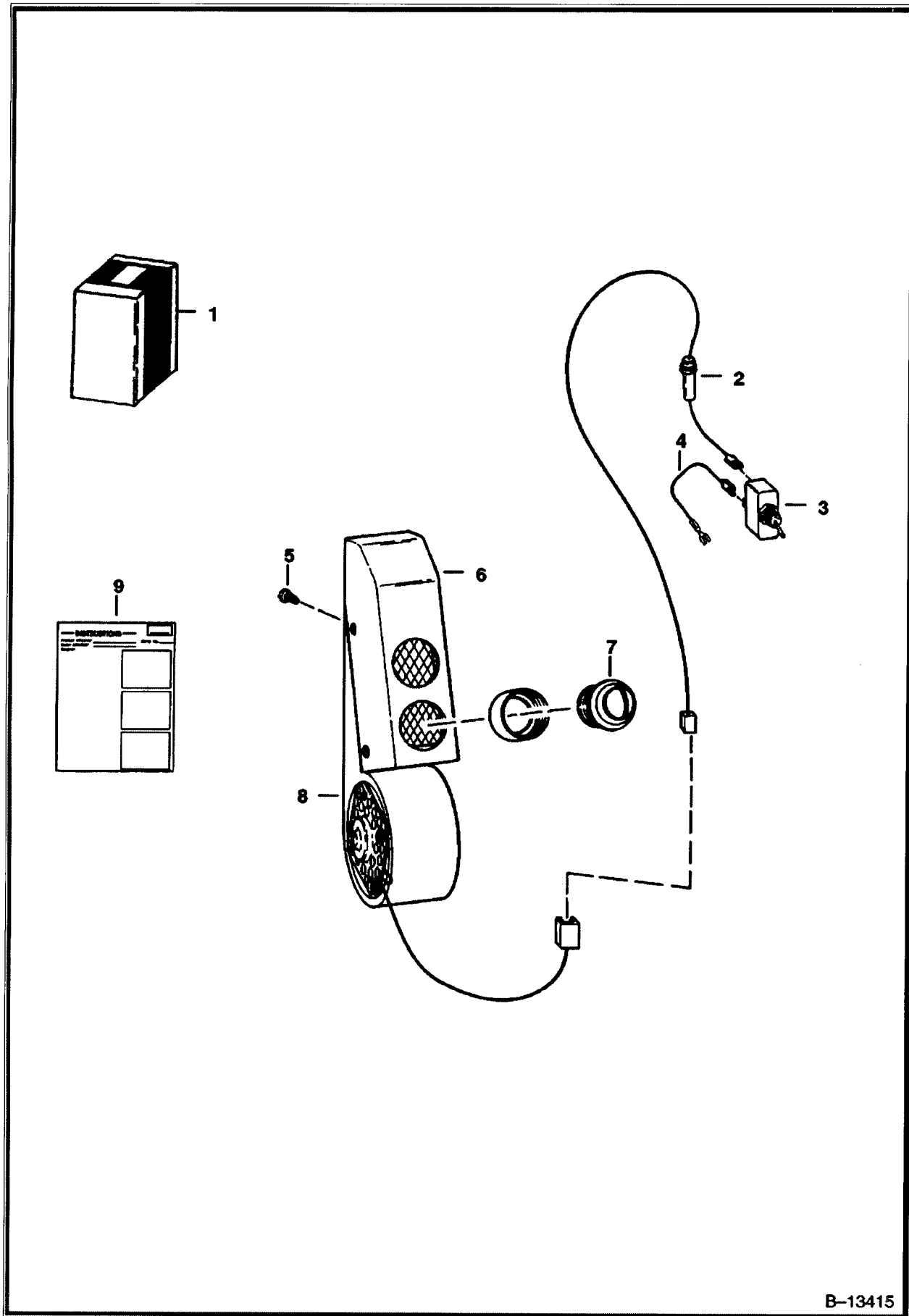
WATER PUMP (Cont'd)
(Kubota - V2203 2EB - Tier II Replacement)

No	Part Number	Description	Remarks	Serial Number	Qty
1	6686989	WATER PUMP	Ref. 2-6		1
2		BODY	NAP		1
3	6685474	BEARING			1
4	6667460	FAN	Was 6684867 [A]		1
5	6684868	SEAL			1
6	6684869	FLANGE			1
7	6674169	PULLEY	fan		1
8	6666804	GASKET			1
9	4CM00828B	BOLT			2
10	6652580	BOLT			6
11	3974267B	STUD			2
12	6667422	WASHER	spring		2
13	6652792	NUT			2
14	29CM612	BOLT			4
15	6683174	ROLL PIN			1

ELECTRICAL CONTROLS KIT (Cont'd)
(Attachments)

Part NO	Part Number	Description	Remarks	Serial Number	Qty
1		KIT	SALES - controls - W/handles - Ref. 2-29 - SEE NOTE		1
1		KIT	NAP - controls-W/O handles - Ref. 12-29 - SEE NOTE - Was SALES [D]		1
2	6680413	HANDLE ASSY	R.H. - Also Order Ref. 4, 5, 7 & 8 - Was 6706340 [A]		1
2	6640690	PIN			9
2	6641176	SEAL			9
3	6680412	HANDLE ASSY	L.H. - Also Order Ref. 4, 5 & 9-11 - Was 6707976 [A]		1
3	6640690	PIN			5
3	6640691	PIN			2
3	6641176	SEAL			7
3	6662257	PIN			3
3	6680447	DECAL	Was 6677370 [A]		1
4	6641180	LOCK	2 - pin		2
4	6640700	LOCK	3 - pin		2
5	6641179	CONNECTOR	2 - pin		2
5	6640699	CONNECTOR	3 - pin		2
5	6664036	NUT			1
7	6641181	LOCK	6 - pin		1
8	6641173	CONNECTOR	6 - pin		1
9	6641178	CONNECTOR	2 - pin		1
10	6664800	LOCK	3 - pin triangle - Was 6664186 [B]		1
11	6664599	CONNECTOR	3 - pin triangle - Was 6664184 [B]		1
12		HARNESS	NAP - One piece - Order Ref. 46, 47, 6711621 mount & (4) of 6670312 solenoid - Was 6705901 [A]		1
13	6706753	MOUNT	Used W/Ref. 12		1
14	6711621	MOUNT	Used W/Ref. 46		1
15	6664035	CAP			1
16	45G000508B	BOLT			1
17	50D000005B	NUT			1
18	84G3712	BOLT	Was 84G003716B [B]		1
19	6706552	HARNESS	for grader - Not in Kit		1
20	45G001212B	BOLT			2
21	50D000012B	NUT			2
22	6664040	PIN	male		x
23	6664041	SOCKET	female		x
24	6651975	SWITCH	relay - Used W/Ref. 12		4
24	6670312	RELAY	relay - Used W/Ref. 46		1
25	6664388	DIODE	memory		1
26	6702650	MOUNT			1
27	6706446	HARNESS	Not in Kit		1
28	6649028	CLAMP			1
29	6667569	CONNECTOR	Order (14) of Ref. 22 - W/Ref. 48		1
30	6665001	CONNECTOR	Also Order (6) of Ref. 23 - Not in Kits - W/Ref. 48		1
31	6664181	CONNECTOR	trailer style - Not in Kits		1
32	6664182	CONNECTOR	trailer style - Not in Kits		1
33	6706568	KIT	handle - Ref. 3-5, 9-11 & 38		1
34	6706567	KIT	handle - W/Ref. 2, 4, 5, 7, 8 & 38		1
35	6664037	WASHER			1
36	6706392	HARNESS	connects old loader harness to new attachment harness - W/Ref. 29 & 32 - Not in Kits		1
37	6706391	HARNESS	connects new loader harness to old attachment harness - W/Ref. 30 & 31 - Not in Kits		1
38	6722759	INSTRUCTIONS	INSTRUCTIONS FOR REF. 3 - 5 & 9 - 11		1
39	6722758	INSTRUCTIONS	INSTRUCTIONS for control elec. kit		1
40	30H000049B	CLAMP			1
41	6709176	BRACKET			1

HEATER KIT

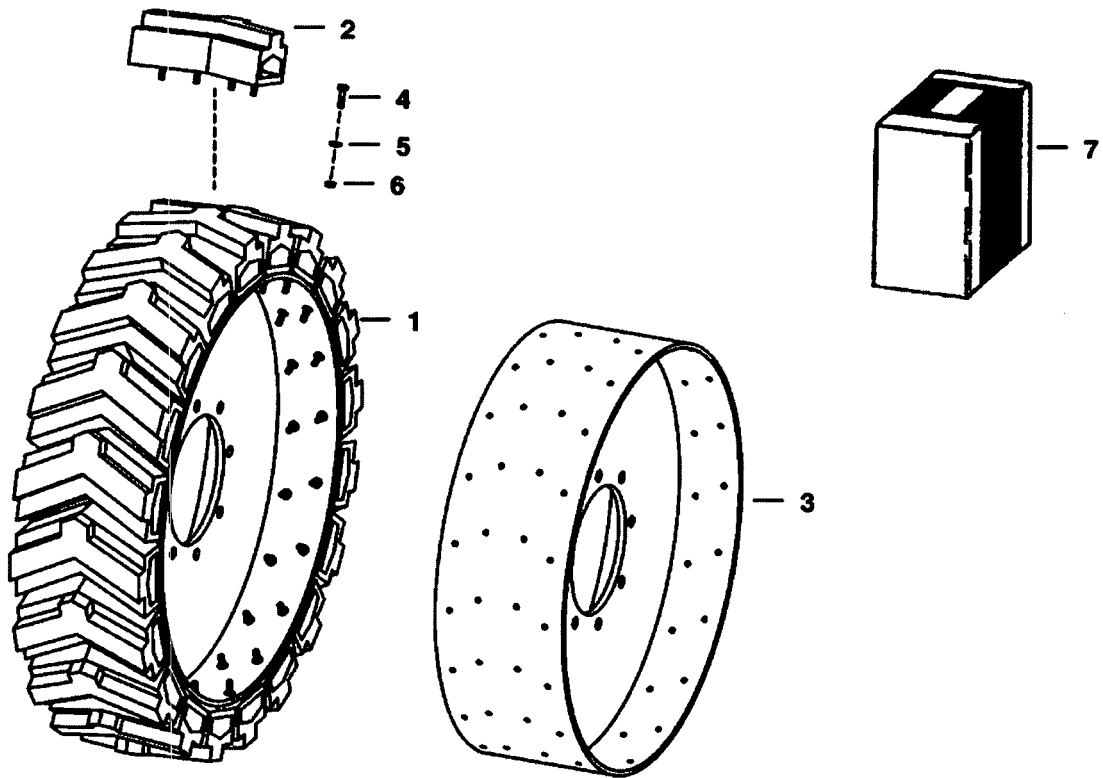


B-13415

REAR AUXILIARY (Cont'd)
(W/Pressure Relief Features & FF Couplers)

No	Part Number	Description	Remarks	Serial Number	Qty
34	59D5	NUT 5			2
35	25E15	WASHER			2
36	6710435	HARNESS			1
37	15K000003B	CONNECTOR	W/Ref. 20 - flat boss face - W/BICS combo valve		1
37		ADAPTER	NAP - W/Ref. 20 - tapered boss face - W/BICS combo valve - Was 15KN-3 [A]		1
37	97K4	O'RING	flared end		1
37	15KB404	CONNECTOR	W/Ref. 20 - flat boss face		1
38	6724487	INSTRUCTIONS			1

TIRES & RIMS (Solid Tire)



TS-1082