

GENERAL INFORMATION

THIS CATALOG ALSO AVAILABLE ON CD-ROM (CD1860EN)

Faster customer service is possible by using your PC to more rapidly find parts information. Order CD1860EN and begin using this technology to your advantage.

MODELS COVERED

A complete A/N listing of all 5000/6000 Series models covered by this catalog can be found starting on [Page 22](#).

TRANSMISSION ASSEMBLY PART NUMBER (A/N)

To use this catalog you must know the Allison Transmission assembly part number (A/N) found on the transmission nameplate. The nameplate is attached either to the rear cover (straight-through models) or to the transfer gear housing (dropbox models).

SERVICE KITS

Available service parts kits are listed starting on [Page 16](#).

NUMERICAL INDEX

A numerical index is included in the rear of this catalog. This index is cross-referenced to indicate the history of parts. Parts, both current and superseded, appear in numerical order in the Part No. Column. Current part numbers refer to the figure and reference numbers of the parts. Parts replacing older parts are followed by the older part number in the history column. Parts that have been replaced are followed by the part number of the replacing part. Footnote symbols show when a part is replaced by (RB), or when a part replaces (R) an older part. Parts no longer available from Allison Transmission Division are followed by three asterisks (***) . Parts not illustrated in the catalog are indicated with NI.

CROSS-SECTION

Typical cross-sectional views of the transmissions are shown on foldouts at the back of this catalog.

HOW TO ORDER PARTS

If an assembly or subassembly is ordered, all subassemblies and detail parts indented beneath it are included.

If a detail part is ordered, only the detail part is sent unless its part number is starred (*). A starred (*) part number means the part is not serviced separately. Order the assembly or subassembly under which it is indented.



NOTE: All parts must be ordered through an authorized Allison Transmission dealer or distributor. Always include the unit model and serial number when ordering parts. Be sure to include the part name and part number.

WARRANTY

Allison Transmission sincerely believes it offers the finest parts warranty in the industry. It is constantly reviewed to assure it remains competitive. We urge you to ask about it at your local Allison Transmission Distributor.

GENERAL INFORMATION

THIS CATALOG ALSO AVAILABLE ON CD-ROM (CD1860EN)

Faster customer service is possible by using your PC to more rapidly find parts information. Order CD1860EN and begin using this technology to your advantage.

MODELS COVERED

A complete A/N listing of all 5000/6000 Series models covered by this catalog can be found starting on [Page 22](#).

TRANSMISSION ASSEMBLY PART NUMBER (A/N)

To use this catalog you must know the Allison Transmission assembly part number (A/N) found on the transmission nameplate. The nameplate is attached either to the rear cover (straight-through models) or to the transfer gear housing (dropbox models).

SERVICE KITS

Available service parts kits are listed starting on [Page 16](#).

NUMERICAL INDEX

A numerical index is included in the rear of this catalog. This index is cross-referenced to indicate the history of parts. Parts, both current and superseded, appear in numerical order in the Part No. Column. Current part numbers refer to the figure and reference numbers of the parts. Parts replacing older parts are followed by the older part number in the history column. Parts that have been replaced are followed by the part number of the replacing part. Footnote symbols show when a part is replaced by (RB), or when a part replaces (R) an older part. Parts no longer available from Allison Transmission Division are followed by three asterisks (***) . Parts not illustrated in the catalog are indicated with NI.

CROSS-SECTION

Typical cross-sectional views of the transmissions are shown on foldouts at the back of this catalog.

HOW TO ORDER PARTS

If an assembly or subassembly is ordered, all subassemblies and detail parts indented beneath it are included.

If a detail part is ordered, only the detail part is sent unless its part number is starred (*). A starred (*) part number means the part is not serviced separately. Order the assembly or subassembly under which it is indented.



NOTE: All parts must be ordered through an authorized Allison Transmission dealer or distributor. Always include the unit model and serial number when ordering parts. Be sure to include the part name and part number.

WARRANTY

Allison Transmission sincerely believes it offers the finest parts warranty in the industry. It is constantly reviewed to assure it remains competitive. We urge you to ask about it at your local Allison Transmission Distributor.

TRANSMISSION ASSEMBLY NUMBER INDEX

To find detail parts for your Allison Automatic Transmission, turn to the appropriate Section and Group listed opposite the Assembly Part Number (A/N) of your transmission.

Sections 32–40 are not assembly number specific. See the appropriate section for part information.

Transfer Gear 23	Trnsfer Gear Hsg Cover/ Speedo 24	Output Disconnect Clutch 25	Oil Pan 26	Main Pressure Regulator Valve/ Oil Filter 27	Lockup Control Valve 28	Retarder Control Valve 29	Main Control Valve 30	Parking Brake 31	A/N
-	-	-	A	A	A	A	A	-	6776034
-	-	-	A	A	A	A	A	-	6776035
-	-	-	A	A	A	A	A	B	6776793
-	-	-	A	A	J	A	A	-	6776931
-	-	-	A	A	A	A	A	-	6776932
-	-	-	A	A	A	A	A	B	6776982
-	-	-	A	A	A	A	A	B	6777141
-	-	-	A	A	A	A	A	B	6777258
-	-	-	A	A	A	A	A	C	6777259
-	-	-	A	A	A	A	A	-	6777309
-	-	-	A	A	J	A	A	-	6777334
-	-	-	E	A	J	A	A	-	6777335
-	-	-	A	A	A	A	A	-	6777427
-	-	-	A	A	A	-	A	B	6777461
-	-	-	A	A	E	A	A	-	6777462
-	-	-	A	A	J	A	A	C	6778187
-	-	-	A	A	J	-	A	-	6778214
-	-	-	A	A	E	-	A	B	6778348
-	-	-	A	A	J	A	A	-	6778672
-	-	-	A	A	A	A	A	B	6778882
-	-	-	A	A	A	-	A	-	6778883
A	-	-	E	A	A	A	A	-	6778923
-	-	-	A	A	F	-	A	B	6778937
-	-	-	A	B	J	A	A	-	6779019
-	-	-	A	A	A	A	A	B	6779265
-	-	-	A	A	J	A	A	-	6779590
-	-	-	A	A	J	A	A	B	6779591
-	-	-	A	A	F	-	A	-	6829959
-	-	-	A	A	A	A	A	B	6830426
-	-	-	A	A	J	-	A	-	6830462
-	-	-	A	A	J	A	A	B	6830696
-	-	-	A	A	A	A	A	-	6831116
-	-	-	A	A	A	A	A	-	6831199
-	-	-	A	A	L	A	A	-	6832396
-	-	-	A	A	J	A	A	-	6832660
-	-	-	A	A	A	A	A	-	6832801
-	-	-	A	A	J	A	A	-	6832815
-	-	-	A	A	E	-	A	-	6833063
-	-	-	A	A	D	-	A	-	6833064
-	-	-	A	A	F	-	A	-	6833065

A/N

TRANSMISSION ASSEMBLY NUMBER INDEX

To find detail parts for your Allison Automatic Transmission, turn to the appropriate Section and Group listed opposite the Assembly Part Number (A/N) of your transmission.

Sections 32–40 are not assembly number specific. See the appropriate section for part information.

PTO	Torque Converter Housing	Oil Pump	Retarder	Splitter-Low Clutch	Splitter-High Clutch	Splitter Planetary	Main Housing	High-Range Clutch	A/N
6	7	8	9	10	11	12	13	14	
A	A	A	A	A	A	A	A	A	23040958
A	A	A	A	A	A	A	A	A	23040959
A	A	A	A	A	A	A	A	A	23040960
B	A	A	A	A	A	A	A	A	23041016
B	A	A	A	A	A	A	A	A	23041017
B	A	A	A	A	A	A	A	A	23041047
A	A	A	A	A	A	A	A	A	23041061
B	D	A	–	A	B	A	B	A	23041062
A	A	A	A	A	C	A	C	A	23041079
A	A	A	A	A	C	A	C	A	23041080
A	A	A	A	A	A	A	C	A	23041133
A	A	A	A	A	A	A	A	A	23041134
B	A	A	A	A	A	A	A	A	23041145
A	A	A	A	A	A	A	C	A	23041153
A	A	A	A	A	A	A	C	A	23041154
A	A	A	A	A	A	A	C	A	23041156
A	A	A	A	A	A	A	C	A	23041157
A	A	A	A	A	A	A	A	A	23041158
A	A	A	A	A	A	A	A	A	23041159
A	A	A	A	A	A	A	A	A	23041160
A	A	A	A	A	A	A	A	A	23041161
A	A	A	A	A	A	A	A	A	23041162
A	A	A	A	A	A	A	A	A	23041163
A	A	A	A	A	A	A	A	A	23041164
A	A	A	A	A	A	A	A	A	23041165
B	A	A	A	A	A	A	A	A	23041166
A	A	A	A	A	A	A	A	A	23041167
A	A	A	A	A	A	A	A	A	23041168
A	A	A	A	A	A	A	A	A	23041169
A	A	A	A	A	A	A	A	A	23041170
A	A	A	A	A	A	A	A	A	23041171
A	A	A	A	A	A	A	A	A	23041172
A	A	A	A	A	A	A	A	A	23041173
A	A	A	A	A	A	A	A	A	23041174
A	A	A	A	A	A	A	A	A	23041175
A	A	A	A	A	A	A	A	A	23041176
A	A	A	A	A	A	A	A	A	23041177
A	A	A	A	A	A	A	A	A	23041178
A	A	A	A	A	A	A	A	A	23041179
A	A	A	A	A	A	A	A	A	23041180

A/N

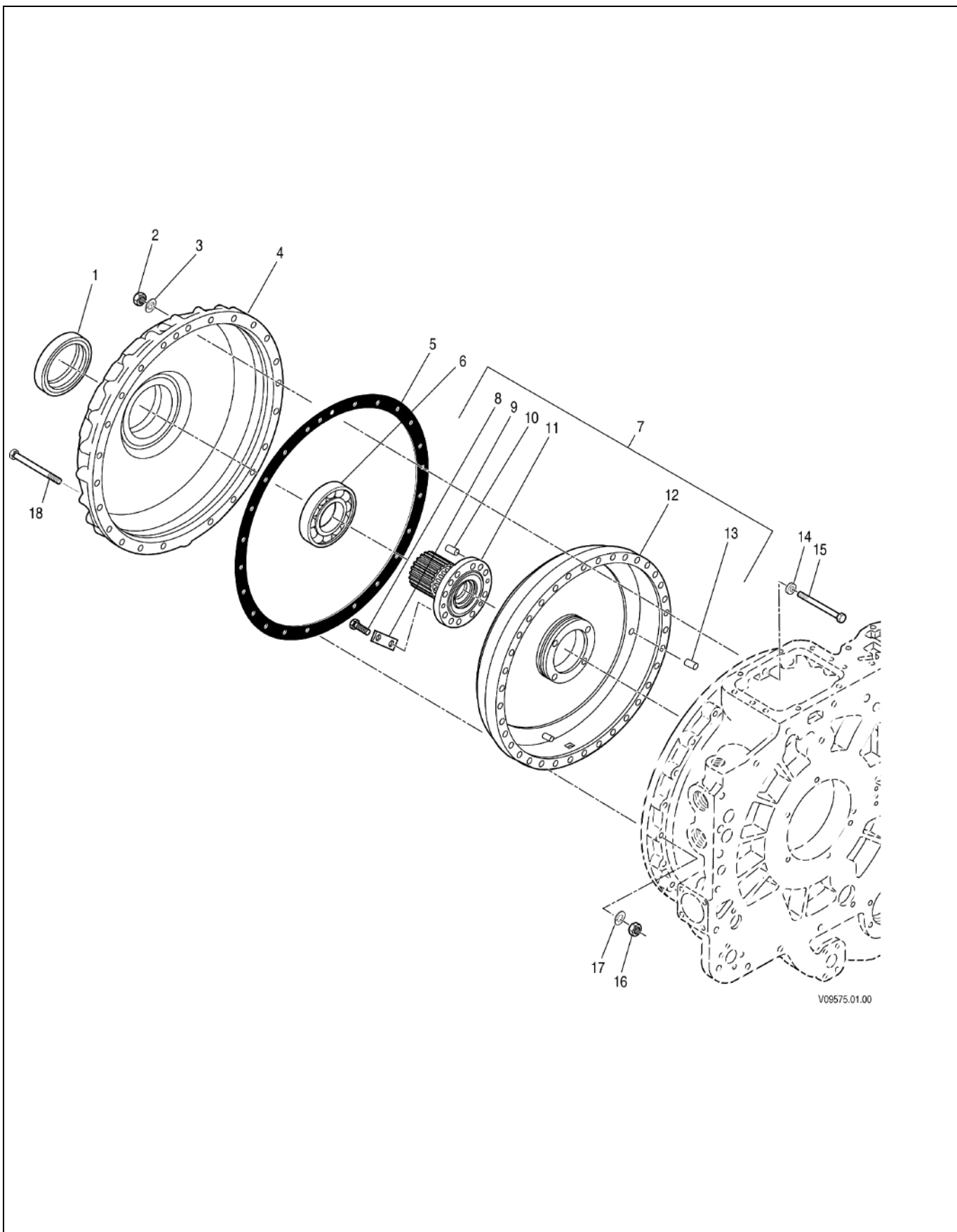
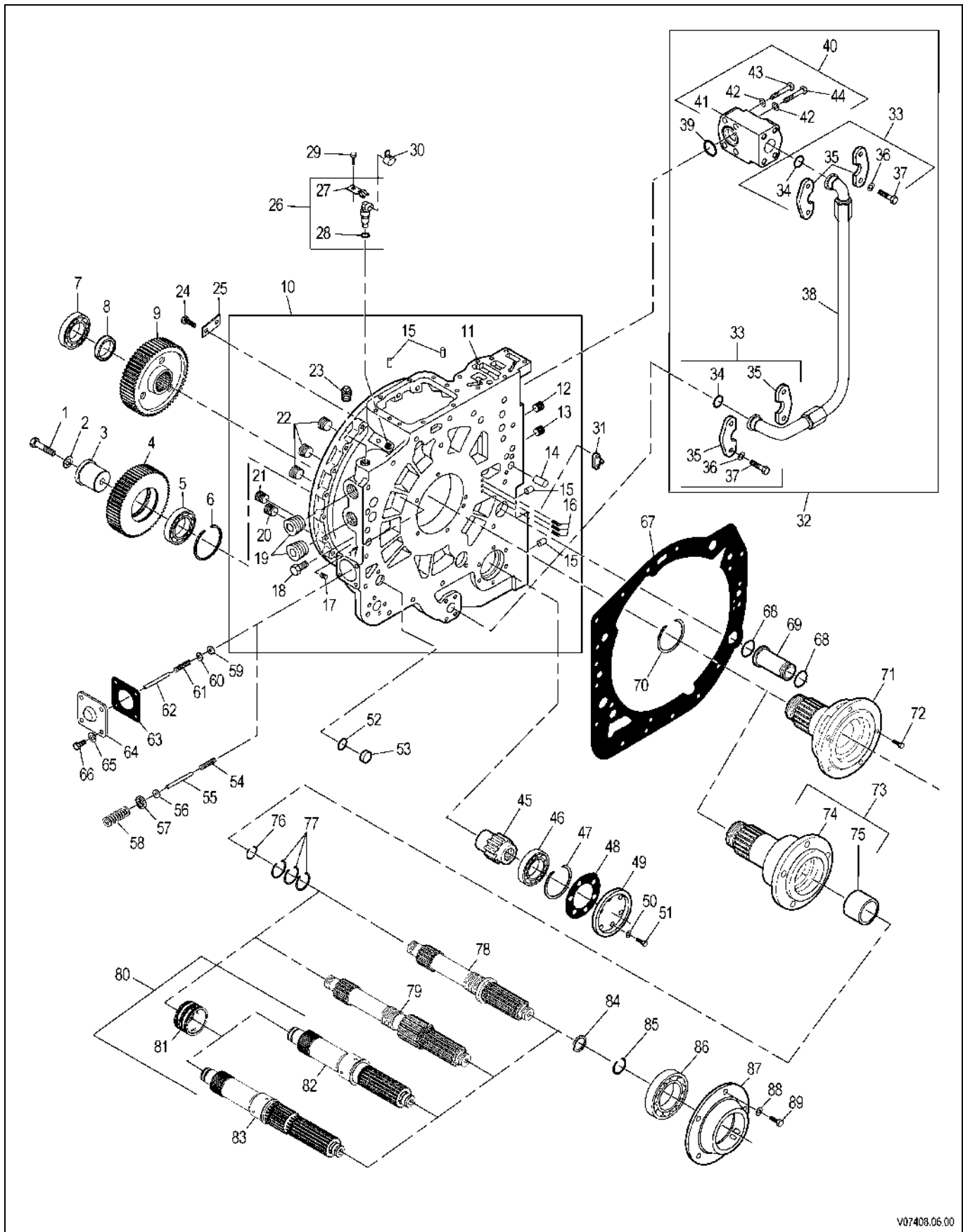
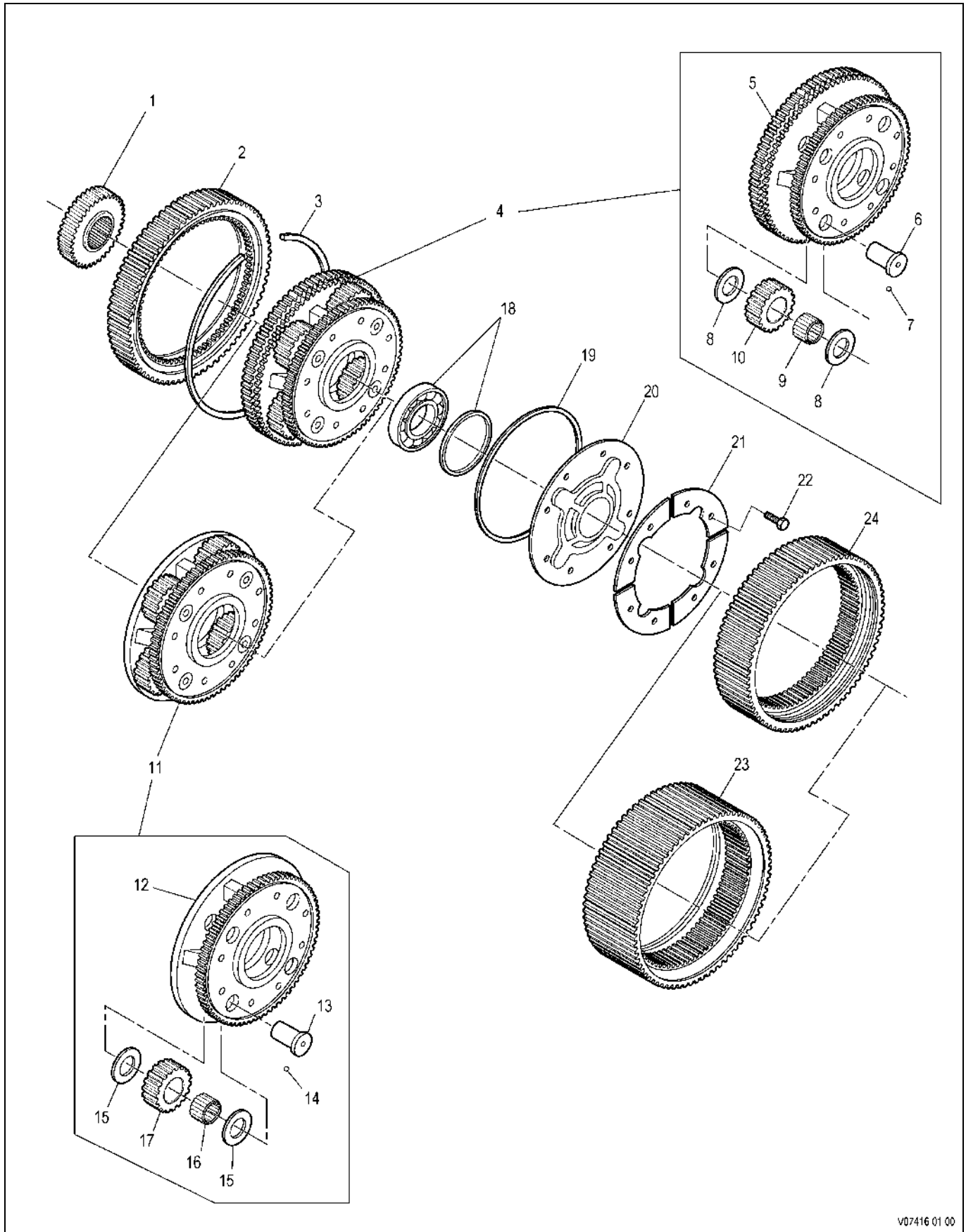


Figure 02. Front Cover and Converter Drive



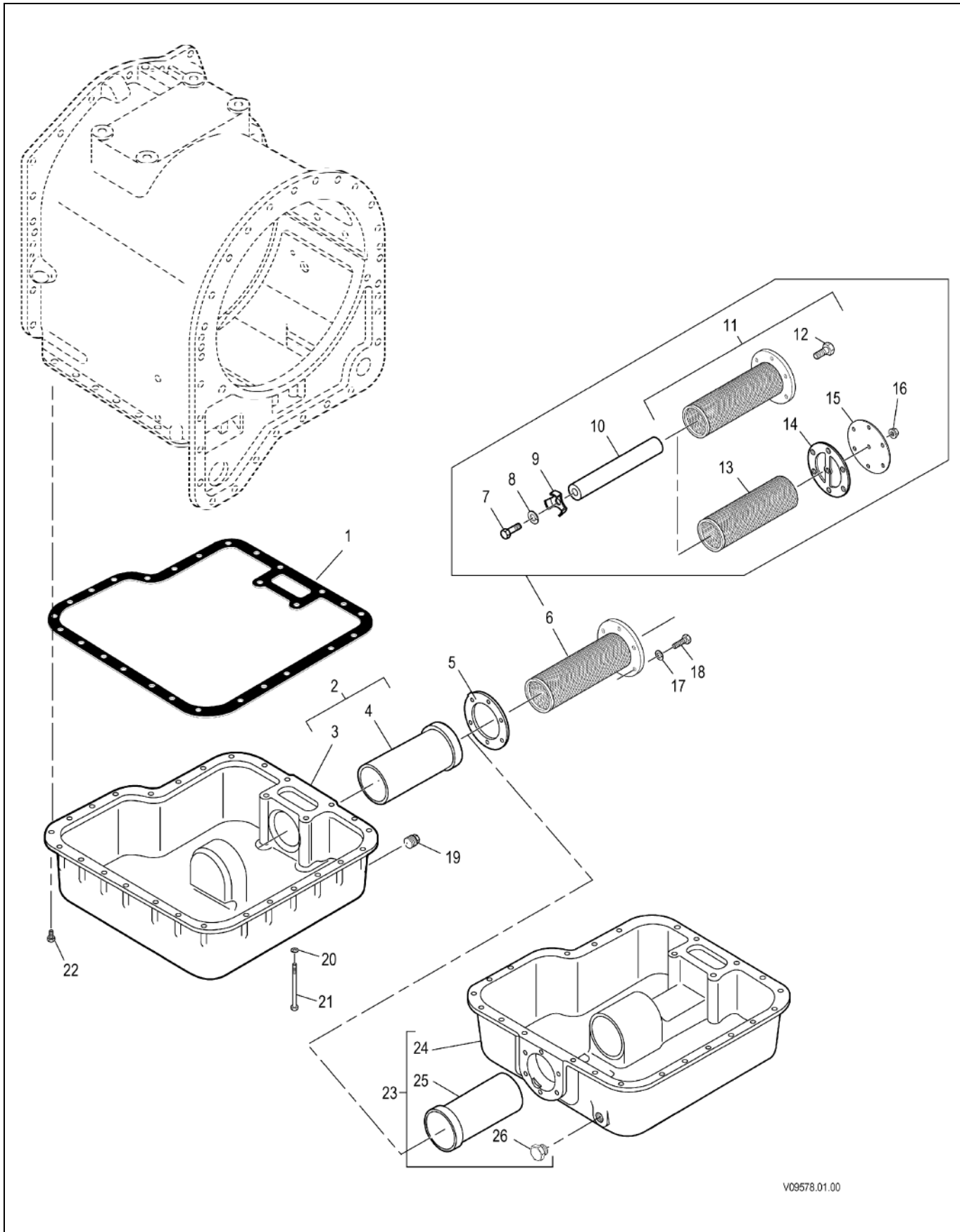
V07408.06.00

Figure 07. Torque Converter Housing



v07416 01 00

Figure 15. Intermediate-Range Planetary



V09578.01.00

Figure 26A. Oil Pan

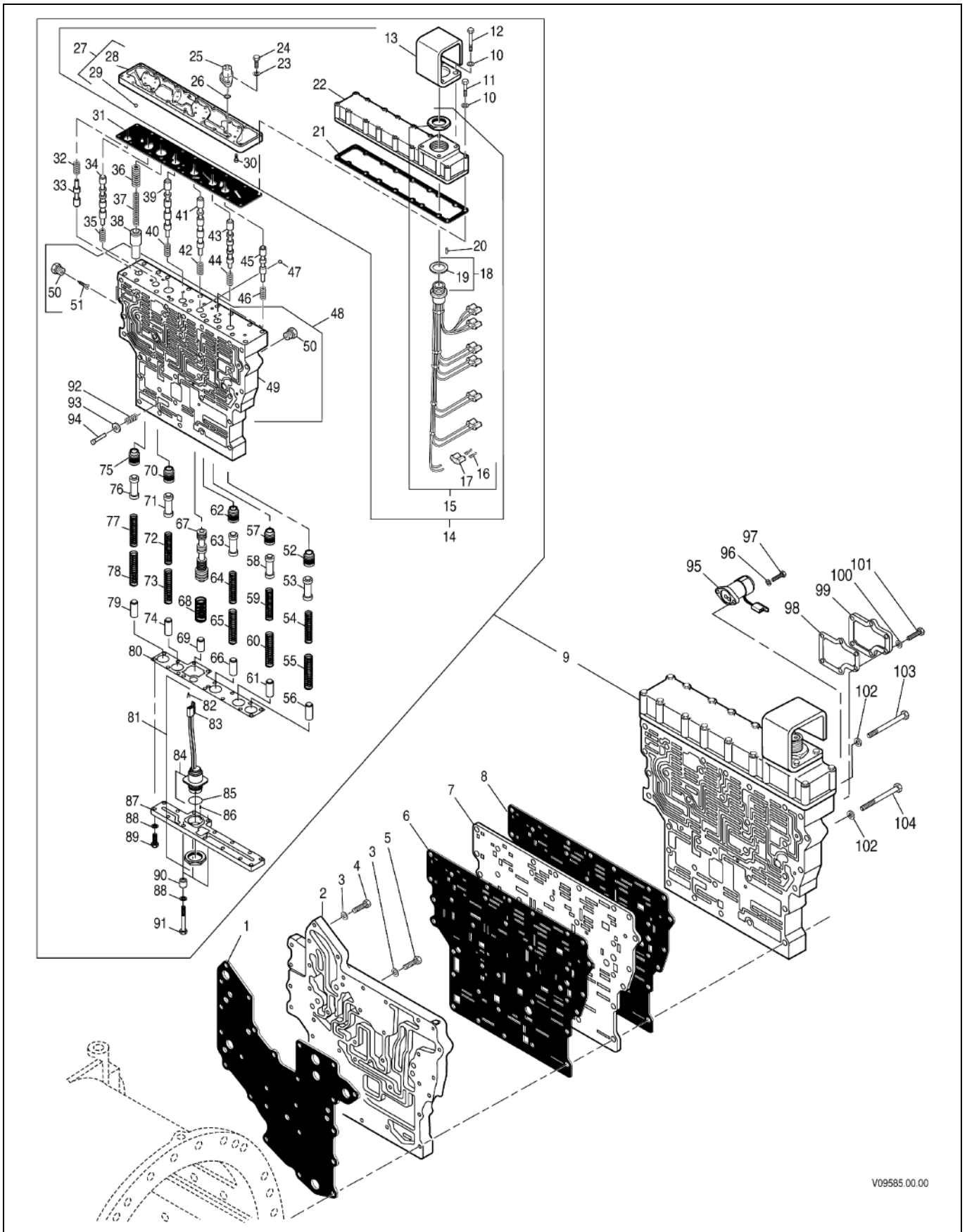


Figure 30C. Main Control Valve (CEC)

GROUP 32-B (cont'd)ECU And External Control Hardware, Figure 32
CEC1 Electronic Control Unit**NOTE: See SIL 05-TR-96 And SIL 36-TR-94 For Important Service Information**

REF NO.	NOMENCLATURE	PART NO.	REQ	RECOMMENDED SPARES FOR UNITS		
				1-3	4-10	11-25
4	PROM And Retainer Assembly Kit	29504739	1			
2	Electronic Control Unit Assembly, Sealed Plus II	29504744 **	1			
3	Plus II Electronic Control Unit Without PROM, Remanufactured. ECU 1228282 Without PROM Now Serviced By Flight Systems Electronics Group See SIL 18-TR-10.	1228282 ***	1			
4	PROM And Retainer Assembly Kit	29504743	1			
2	Electronic Control Unit Assembly, Sealed Plus II	29504746 **	1			
3	Plus II Electronic Control Unit Without PROM, Remanufactured. ECU 1228282 Without PROM Now Serviced By Flight Systems Electronics Group See SIL 18-TR-10.	1228282 ***	1			
4	PROM And Retainer Assembly Kit	29504745	1			
2	Electronic Control Unit Assembly, Sealed Plus II	29504768 **	1			
3	Plus II Electronic Control Unit Without PROM, Remanufactured. ECU 1228282 Without PROM Now Serviced By Flight Systems Electronics Group See SIL 18-TR-10.	1228282 ***	1			
4	PROM And Retainer Assembly Kit	29504767	1			
4	ECU Service PROM And Retainer Assembly Kit	29504775	1			
2	Electronic Control Unit Assembly, Sealed Plus II	29504810 **	1			
3	Plus II Electronic Control Unit Without PROM, Remanufactured. ECU 1228282 Without PROM Now Serviced By Flight Systems Electronics Group See SIL 18-TR-10.	1228282 ***	1			
4	PROM And Retainer Assembly Kit	29504809	1			
2	Electronic Control Unit Assembly, Sealed Plus II	29504822 **	1			
3	Plus II Electronic Control Unit Without PROM, Remanufactured. ECU 1228282 Without PROM Now Serviced By Flight Systems Electronics Group See SIL 18-TR-10.	1228282 ***	1			
4	PROM And Retainer Assembly Kit	29504821	1			
2	Electronic Control Unit Assembly, Sealed Plus II	29504878 **	1			
3	Plus II Electronic Control Unit Without PROM, Remanufactured. ECU 1228282 Without PROM Now Serviced By Flight Systems Electronics Group See SIL 18-TR-10.	1228282 ***	1			
4	PROM And Retainer Assembly Kit	29514215	1			
2	Electronic Control Unit Assembly, Sealed Plus II	29504888 **	1			
3	Plus II Electronic Control Unit Without PROM, Remanufactured. ECU 1228282 Without PROM Now Serviced By Flight Systems Electronics Group See SIL 18-TR-10.	1228282 ***	1			
4	PROM And Retainer Assembly Kit	29504929	1			
4	ECU Service PROM And Retainer Assembly Kit	29504889	1			
2	Electronic Control Unit Assembly, Sealed Plus II	29504894 **	1			
3	Plus II Electronic Control Unit Without PROM, Remanufactured. ECU 1228282 Without PROM Now Serviced By Flight Systems Electronics Group See SIL 18-TR-10.	1228282 ***	1			
4	PROM And Retainer Assembly Kit	29504893	1			

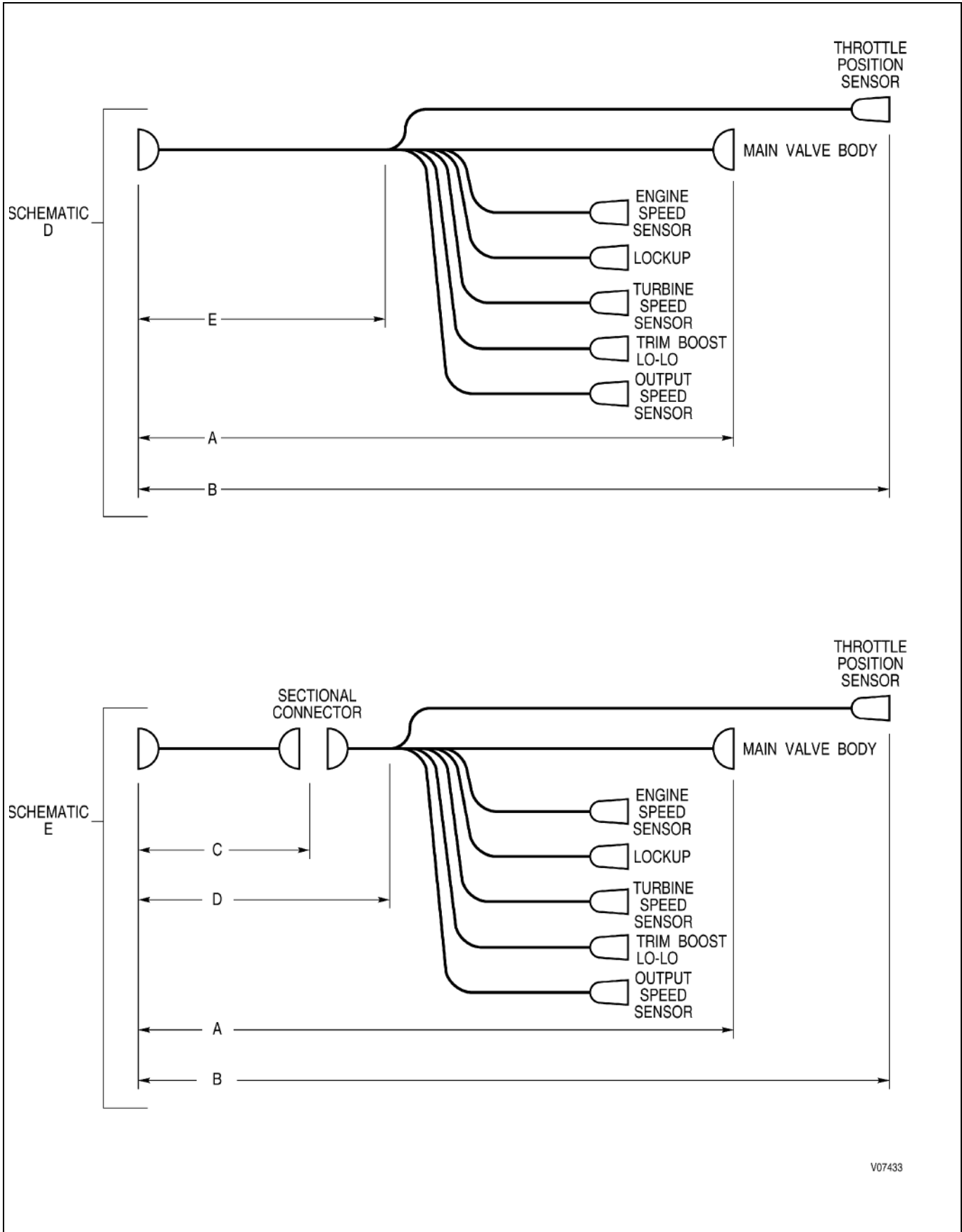
(continued on next page)

* Serviced Only As An Assembly – Not Available As A Detail Part.

** Not Serviced As An Assembly – Order Detail Parts.

*** No Longer Available From Allison Transmission.

∞∞ For Service Contact Detroit Diesel Remanufacturing DMR, 1111 East 7th Street, Hibbing, MN 55746; Phone:(218)262-6693, Fax:(218)262-6273.



V07433

Figure 34. Chassis Wiring Harness Specifications (2 of 3)

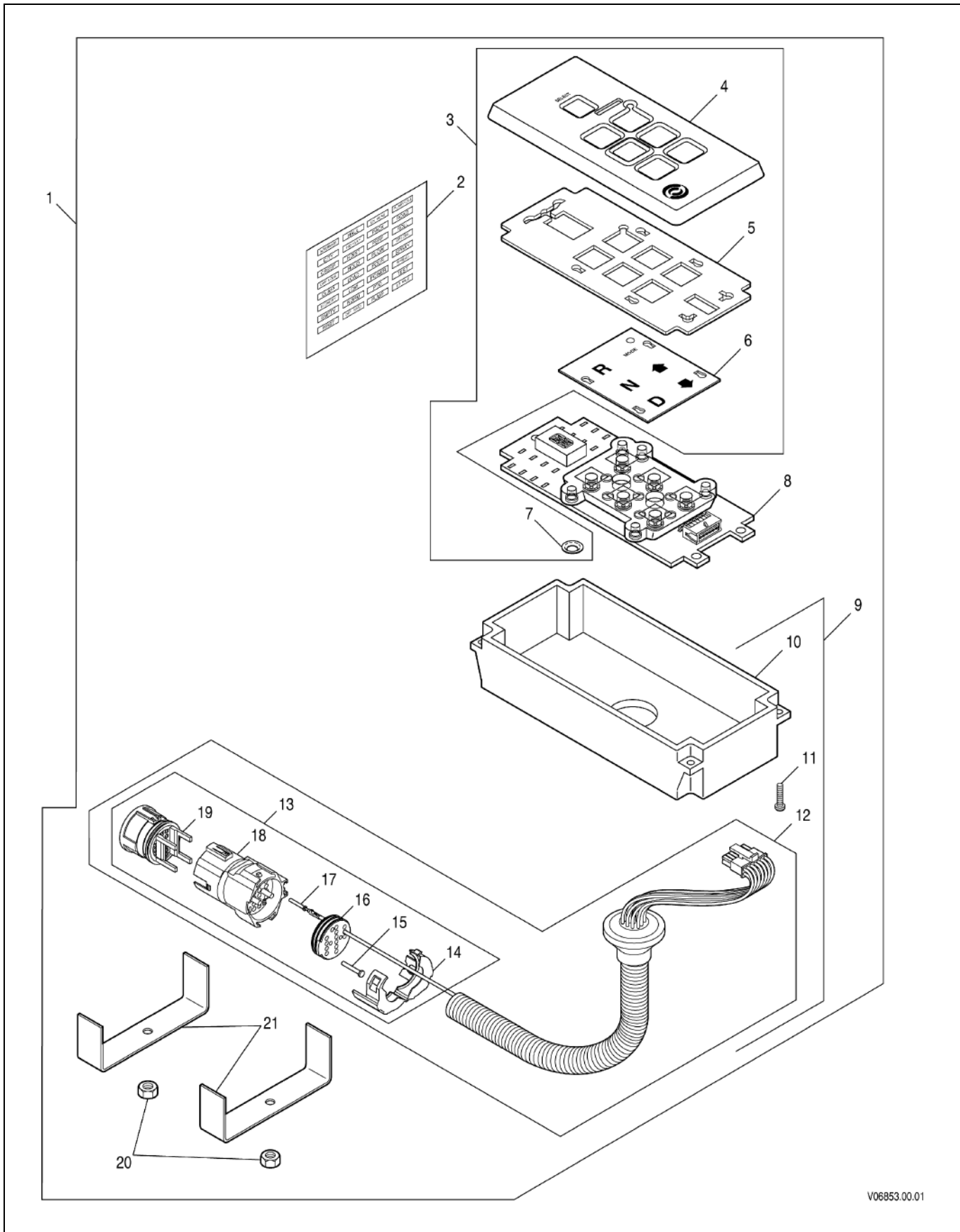
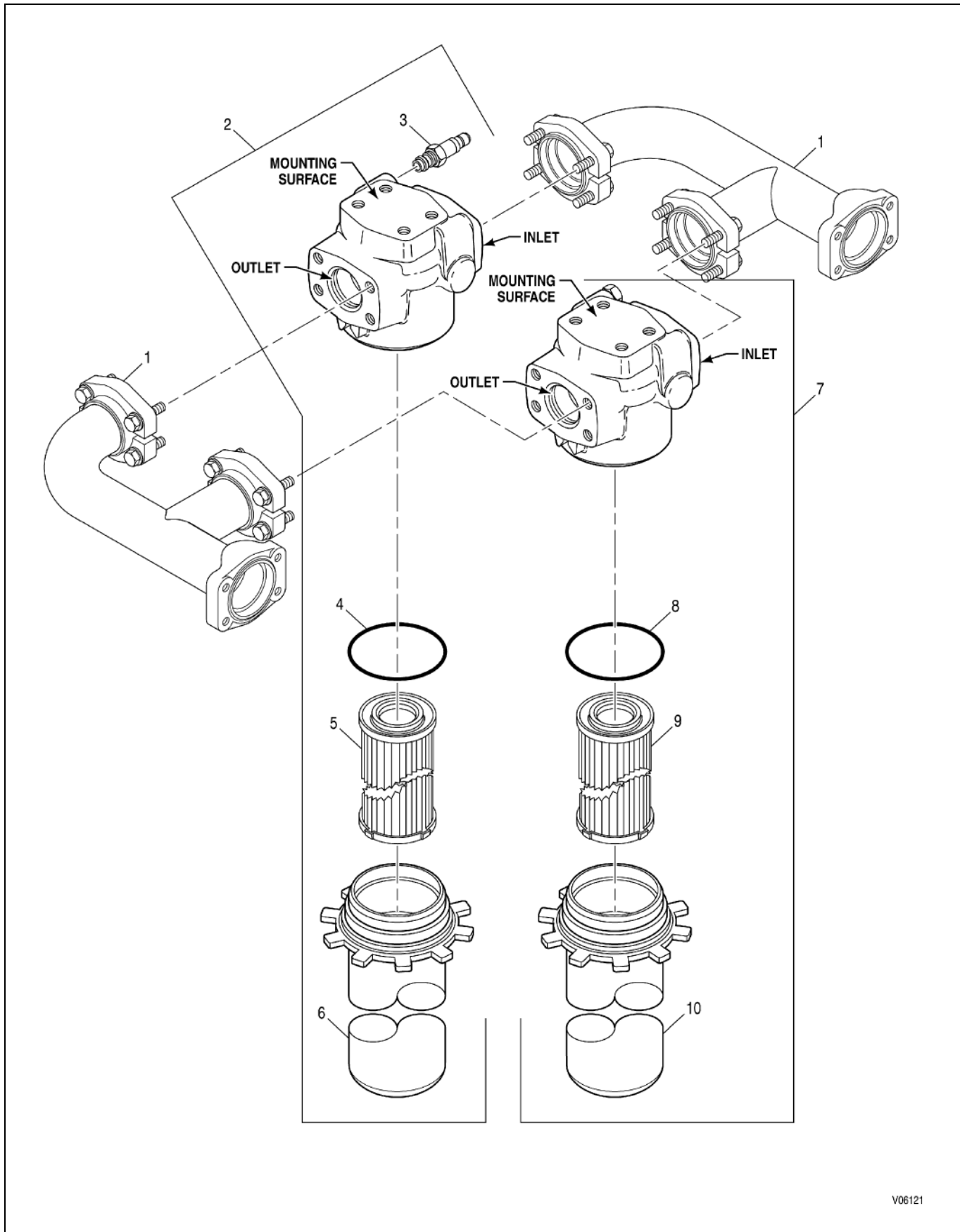


Figure 39F. Shift Selector (CEC2 Pushbutton)



V06121

Figure 40B. Miscellaneous Options

This SIL revision replaces 3-TR-87.
Please discard your copy of 3-TR-87.
This revision includes P/N additions.

3-TR-87, Rev A
Page 1 of 5
April 1, 1990

SUBJECT: Release of Neutral Lock "T" Handle Shift Towers for Manual and Automatic Electric Controls

EQUIPMENT AFFECTED: 5/6/8/9000 Series Transmissions

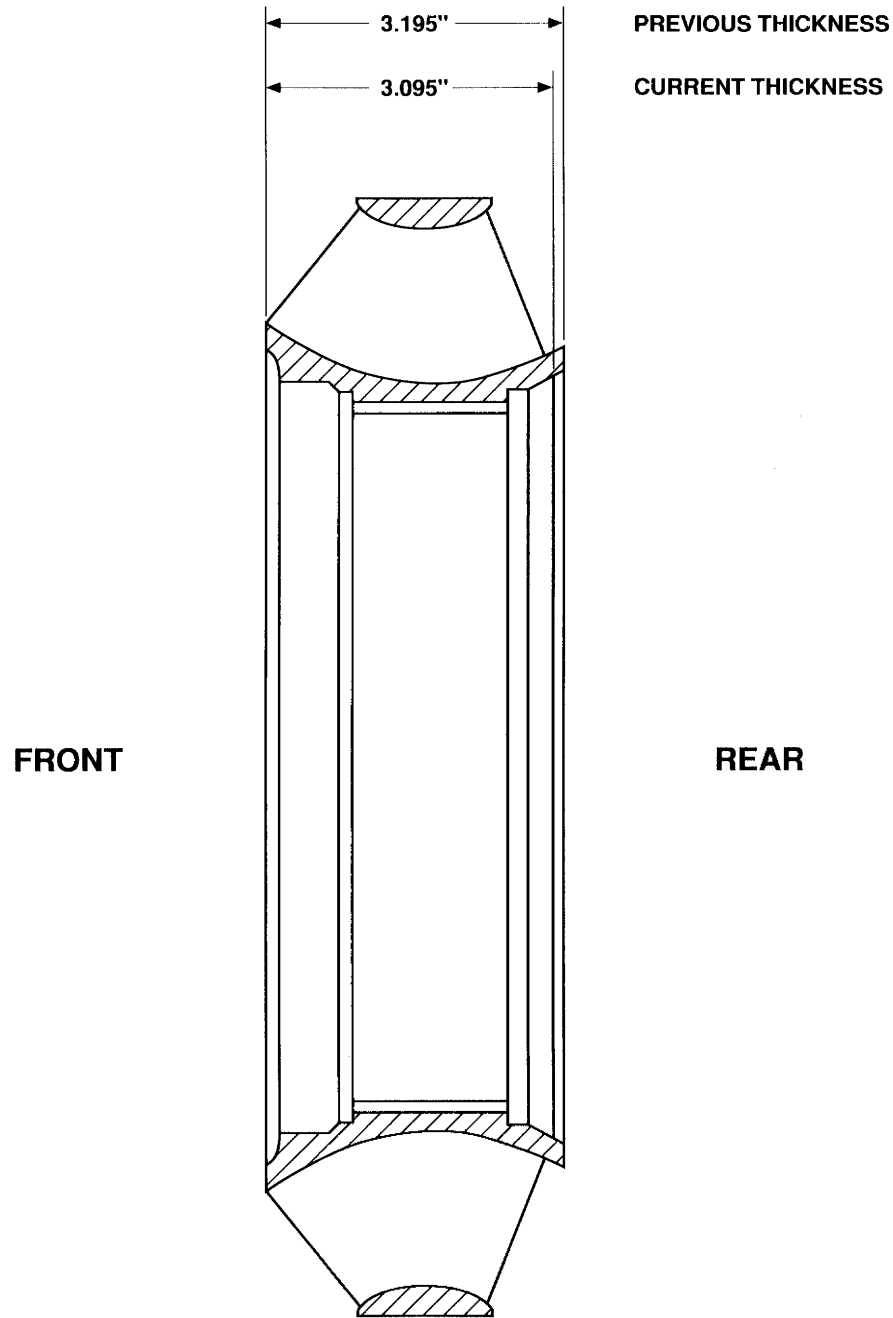
New shift towers lock the handle in the neutral position until a trigger is pulled. With the subject change, part number changes are as follows.

<u>New Part No.</u>	<u>Description</u>	<u>Old Part No.</u>
23017036	12 Volt Manual Shift Tower Assy	6836514
23017037	24 Volt Manual Shift Tower Assy	6836515
23017038	12 Volt Manual Shift Tower Assy	6836516
23017039	24 Volt Manual Shift Tower Assy	6836513
23017040	12 Volt Automatic Shift Tower Assy	6837301
23017041	24 Volt Automatic Shift Tower Assy	6836517
23017042	24 Volt Dual Automatic Shift Tower Assy	6884100
23017051	12 Volt Manual Shift Tower Assy (Short Handle)	
23045144	24 Volt Dual Automatic Shift Tower Assy	
23048644	24 Volt Dual Automatic Shift Tower Assy	23043533

Interchangeability: New parts are fully interchangeable with parts in service regardless of age.

Spare Parts Information: With the exception of the listed changes, many of the old shift tower parts are common to the new shift towers. Because of the intricate setting of the neutral lock mechanism, a "T" handle assembly will replace individual parts.

8-TR-91
November 21, 1990
Product Code(s): 31
Page 7 of 8



MACHINE 0.100 FROM THE REAR SURFACE

FIGURE 4 REWORK STATOR

T2282

SIL