

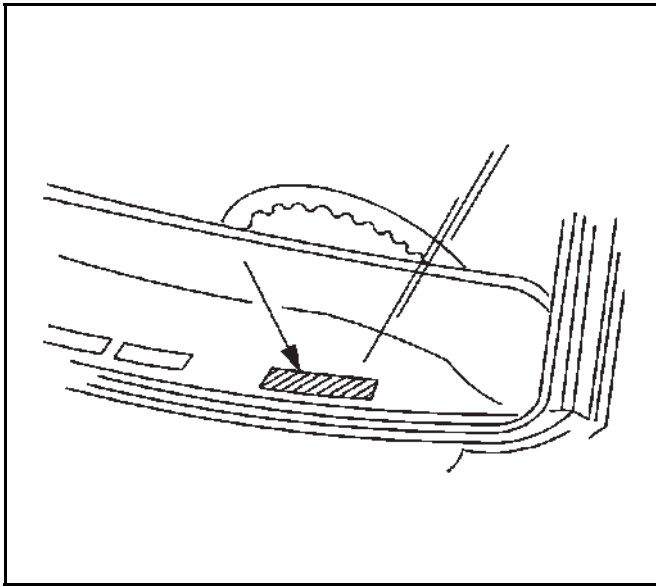
Table of Contents

General Information	1-1	Power and Signal Distribution	5-1
General Information	1-3	Power Outlets	5-3
Body Systems	2-1	Wiring Systems and Power Management	5-7
Fixed and Moveable Windows	2-3	Wiring Systems and Power	
Horns and Pedestrian Alerts	2-11	Management	5-136
Lighting	2-14	Safety and Security	6-1
Mirrors	2-28	Parking Assistance Systems	6-3
Driver Information and Entertainment	3-1	Remote Functions	6-9
Image Display Cameras	3-3	Transmission	7-1
Engine/Propulsion	4-1	Shift Lock Control	7-3
12 V Starting and Charging	4-3	INDEX	INDEX-1

General Information

Introduction

Vehicle, Engine and Transmission ID and VIN Location, Derivative and Usage



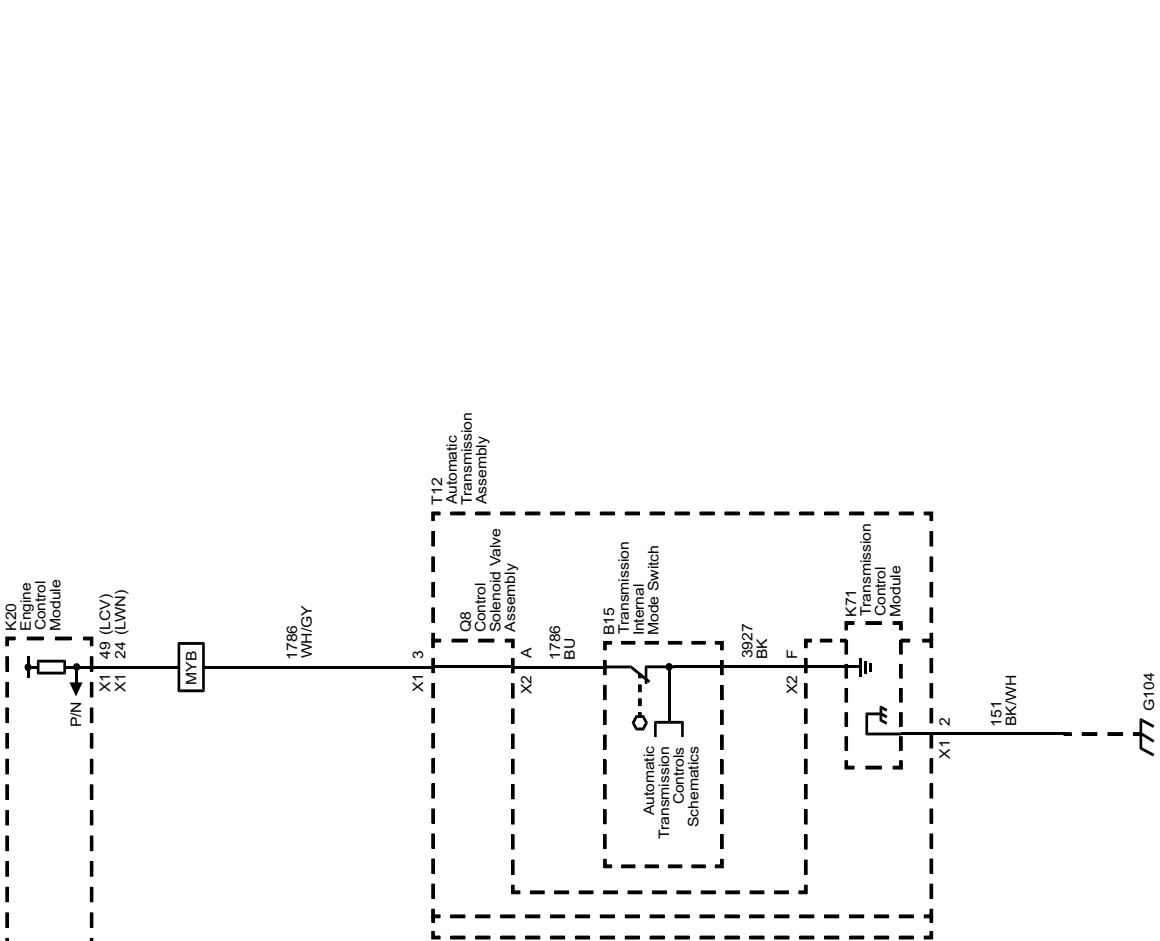
153729

The VIN plate is the legal identifier of the vehicle. The VIN plate is located on the upper left corner of the instrument panel (I/P) and can be seen through the windshield from the outside of the vehicle:

Vehicle Identification Number (VIN) System

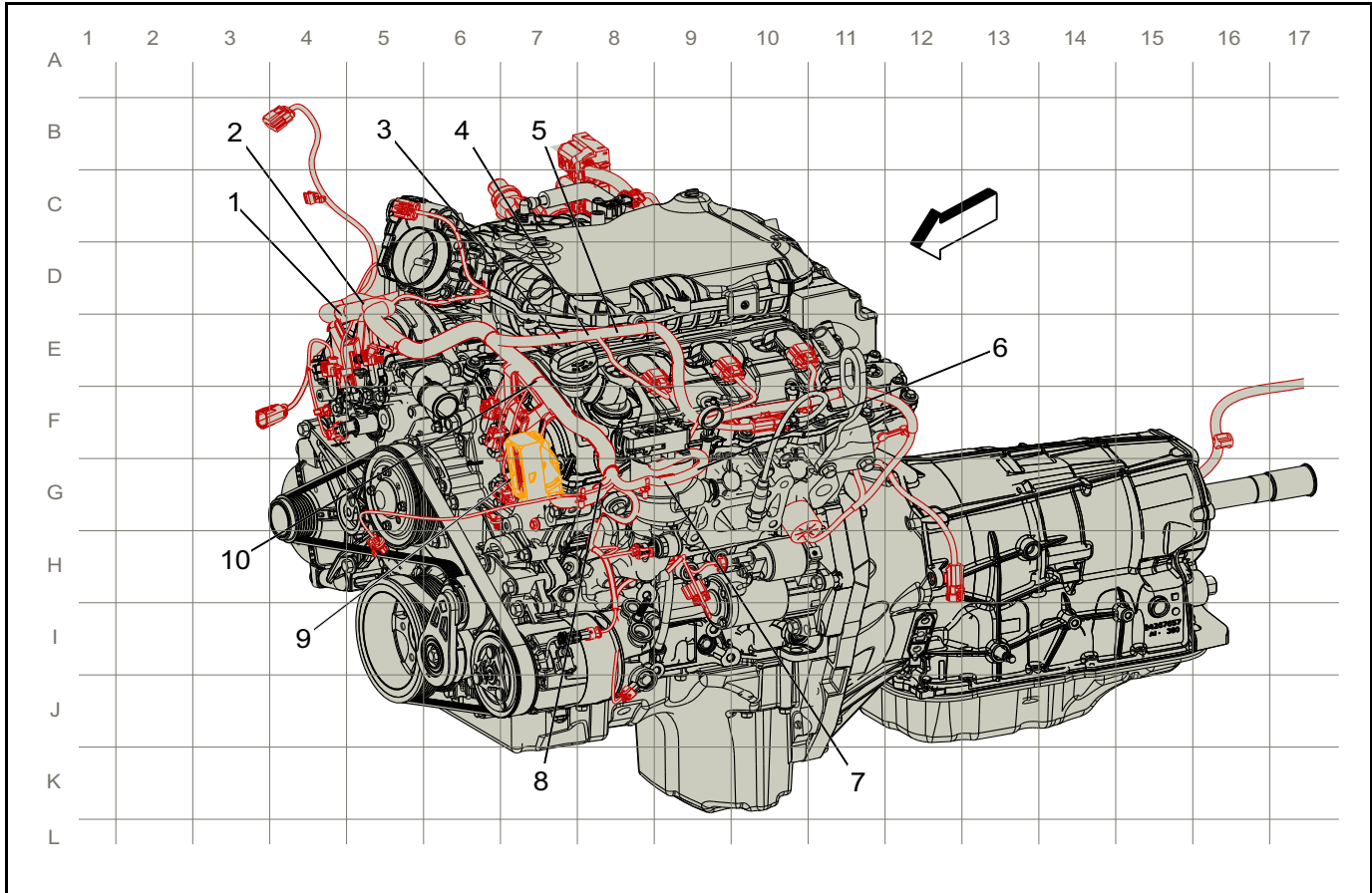
Position	Definition	Character	Description
1	Country of Origin	1	United States
2	Manufacturer	G	General Motors
3	Vehicle Brand/Type	B	Chevrolet Incomplete Truck
		C	Chevrolet Truck
		D	GMC Incomplete Truck
		T	GMC Truck
4	GVWR/Brake System/Body Style	G	5001–6000/Hydraulic – Crew Cab
		H	5001–6000/Hydraulic – Extended Cab
		P	6001–7000/Hydraulic – CrewCab
		R	6001–7000/Hydraulic – Extended Cab
5–6	Chassis/Series	S/A	Chevrolet Colorado, Base 2WD
		S/B	Chevrolet Colorado, Work Truck 2WD
		S/C	Chevrolet Colorado, LT 2WD
		S/D	Chevrolet Colorado, Z71 2WD
		S/9	Chevrolet Colorado 2WD, (Non-US, Non-Canada)
		T/B	Chevrolet Colorado, Work Truck 4WD
		T/C	Chevrolet Colorado, LT 4WD
		T/D	Chevrolet Colorado, Z71 4WD

Starting and Charging Schematics (Starting (2 of 2))



4945014

Harness Routing Views (Engine Harness Routing - Front (LGZ))

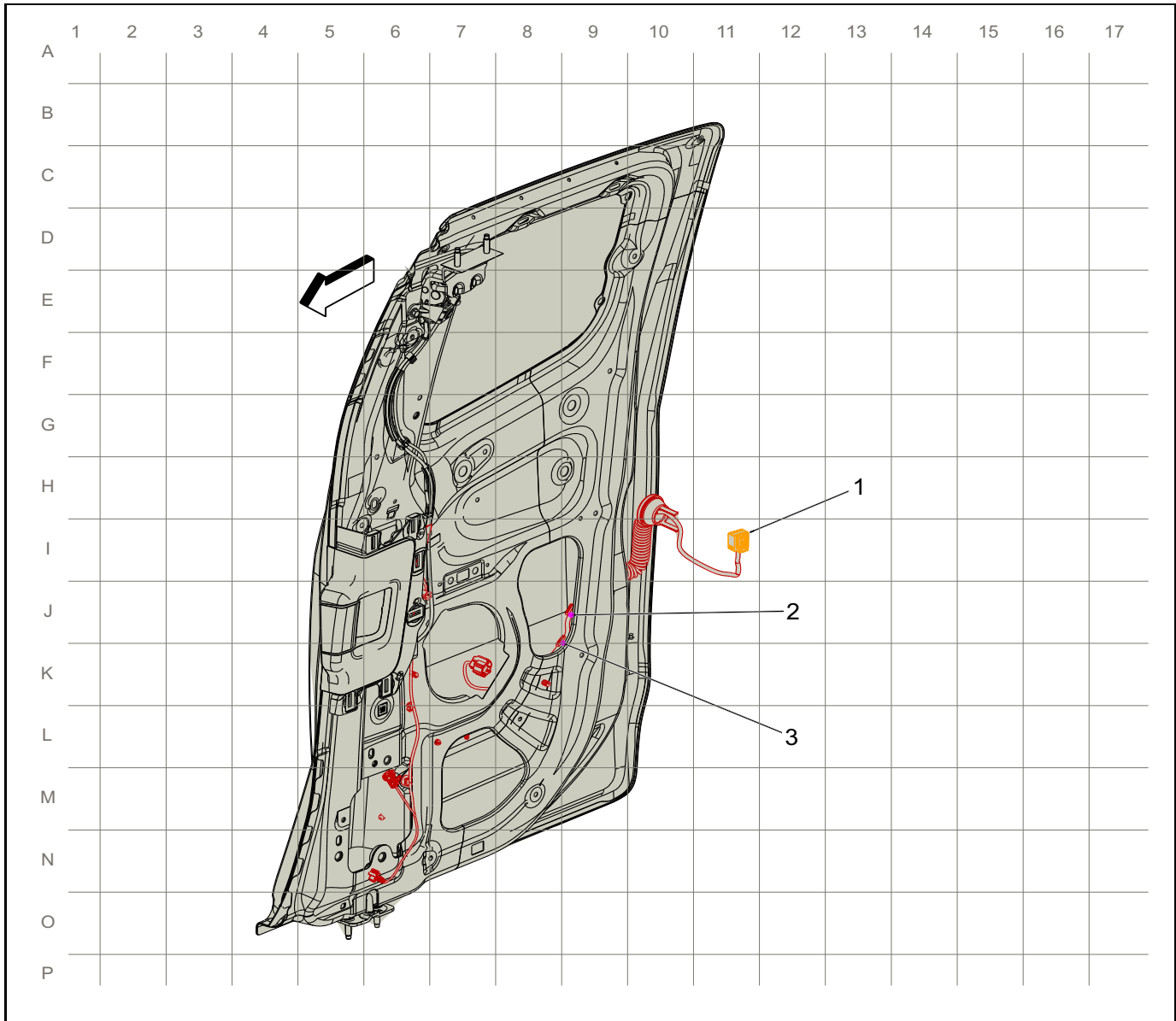


3924810

Items

- | | |
|-------------------------------|-------------------------------------------------------|
| (1) J114 Engine Harness | (7) J107 Engine Harness |
| (2) J110 Engine Harness | (8) J106 Engine Harness |
| (3) J109 Engine Harness | (9) X101 Engine Harness to Body Harness (48 cavities) |
| (4) J111 Engine Harness | (10) J115 Engine Harness (LGZ) |
| (5) J116 Engine Harness (LGZ) | |
| (6) J113 Engine Harness | |

Harness Routing Views (Right Rear Door Harness Routing (Extended Cab))

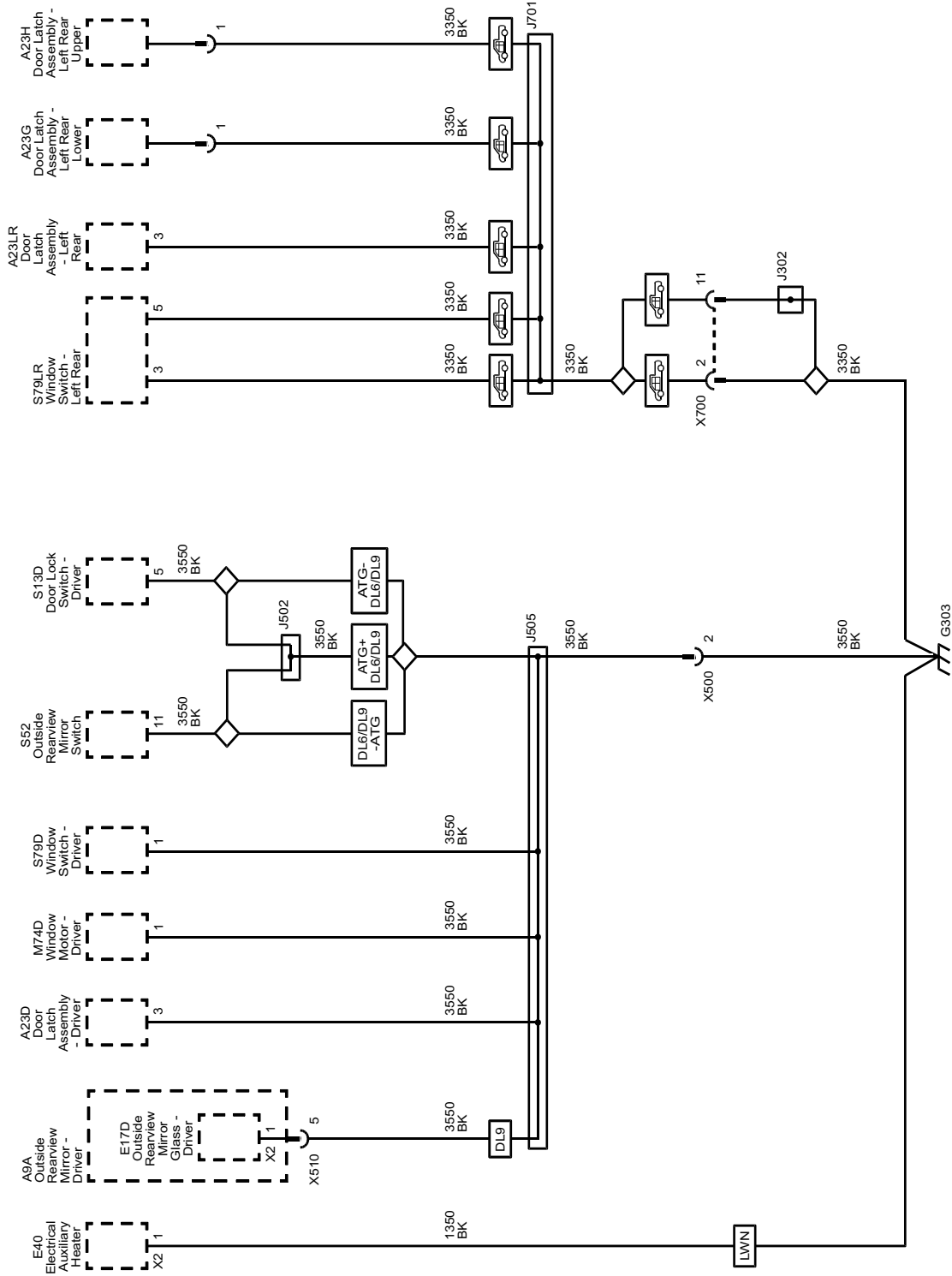


3926807

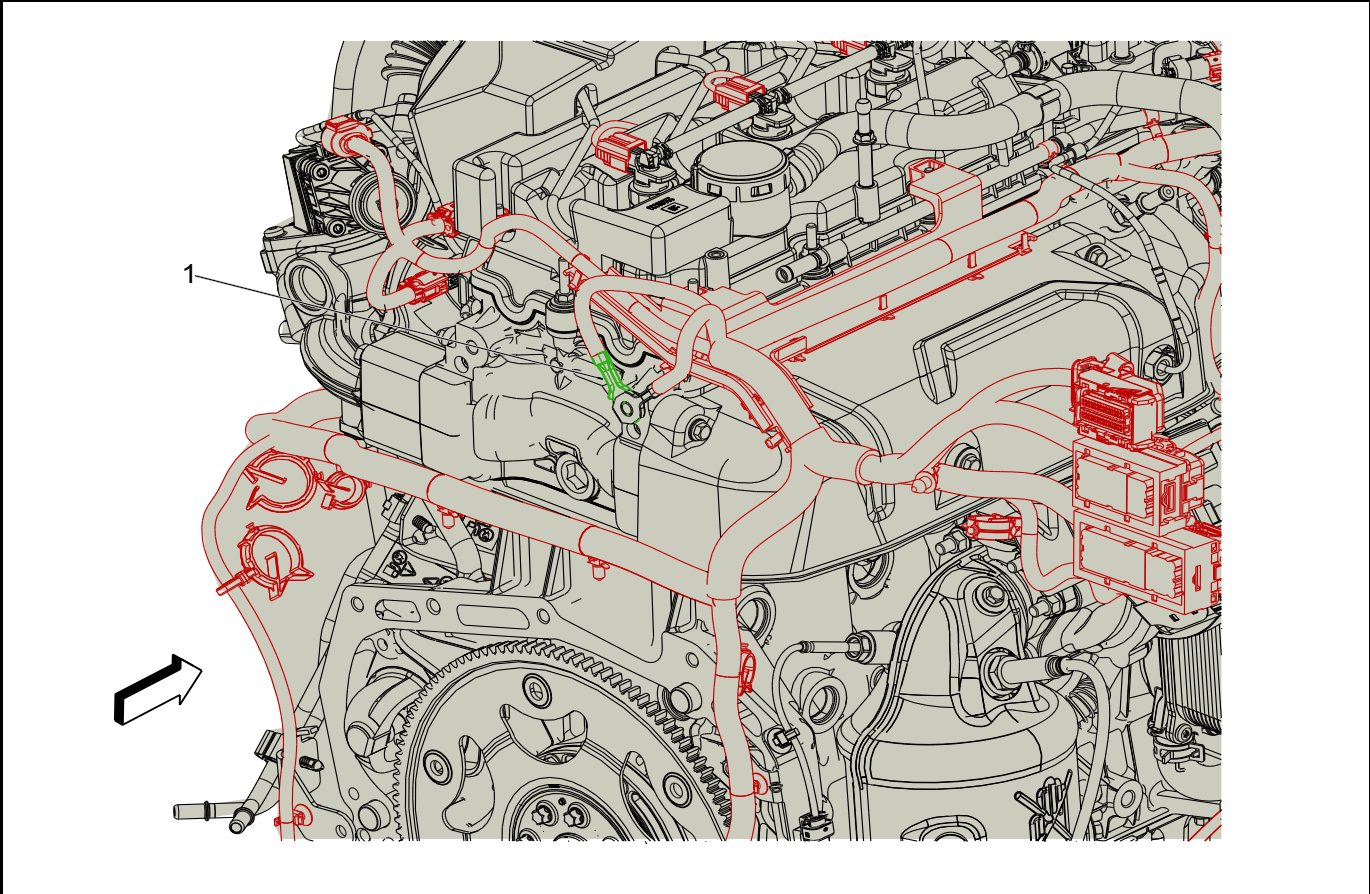
Items

- | | |
|---------------------------------------------------------------------------------------------------------------------------------------------------------------------------|------------------------------------------------------------------------------------|
| <ul style="list-style-type: none"> (1) X800 Right Rear Door Harness to Body Harness (20 cavities) (2) J800 Right Rear Door Harness (Extended Cab) | <ul style="list-style-type: none"> (3) J801 Right Rear Door Harness |
|---------------------------------------------------------------------------------------------------------------------------------------------------------------------------|------------------------------------------------------------------------------------|

Ground Distribution Schematics (G303)



G107 (LWN)

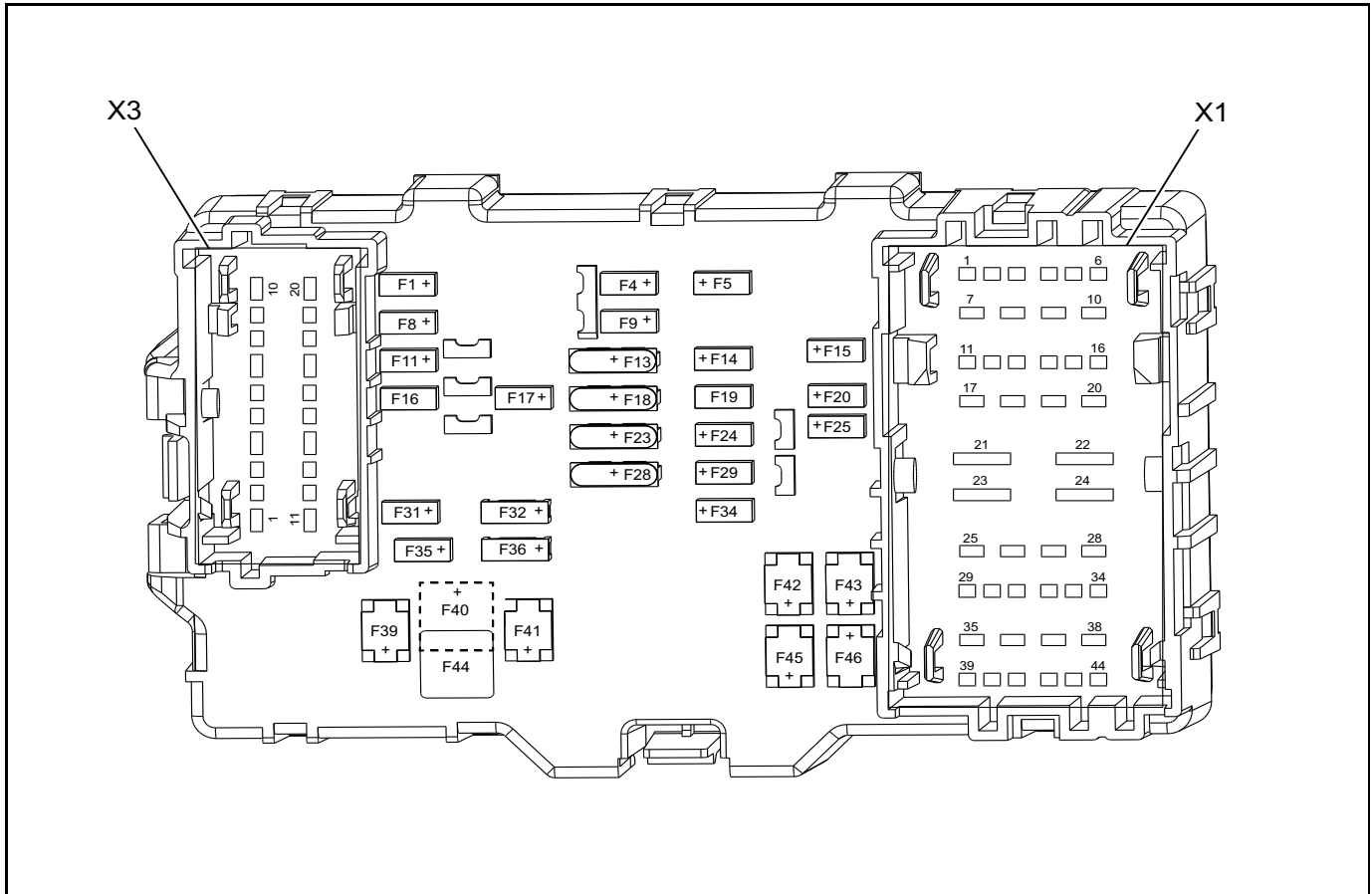


4122361

Items

- (1) G107 Engine Harness

X51A Fuse Block - Instrument Panel Top View Fuses

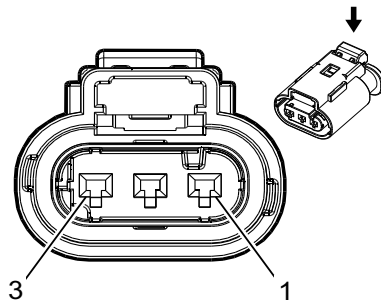


3818716

Usage Table

No.	Device Label Name	Device Assigned Name	Rating	Description
Fuses				
F1	BCM 1	F1DA	15A	• K9 Body Control Module
F2	EMPTY	F2DA	—	• Not Used
F3	EMPTY	F3DA	—	• Not Used
F4	STR/WHL/CNTRL	F4DA	5A	• S70L Steering Wheel Controls Switch - Left • S70R Steering Wheel Controls Switch - Right
F5	BCM 2	F5DA	15A	• K9 Body Control Module
F6	EMPTY	F6DA	—	• Not Used
F7	EMPTY	F7DA	—	• Not Used
F8	MIR WNDW MDL	F8DA	5A	• S79D Window Switch - Driver • S52 Outside Rearview Mirror Switch (DL6/DL9)
F9	I/P CLSTR	F9DA	10A	• P16 Instrument Cluster • P17 Info Display Module • S32D Seat Heating Switch - Driver (KA1) • S32P Seat Heating Switch - Passenger (KA1) • A26 HVAC Controls
F10	EMPTY	F10DA	—	• Not Used
F11	BCM 8	F11DA	30A	• K9 Body Control Module
F12	EMPTY	F12DA	—	• Not Used

B37B Engine Oil Pressure Sensor (LCV)



2717069

Connector Part Information

Harness Type: Engine
 OEM Connector: 10010341
 Service Connector: 19299690
 Description: 3-Way F 1.2 Multilock Series, Sealed (BK)

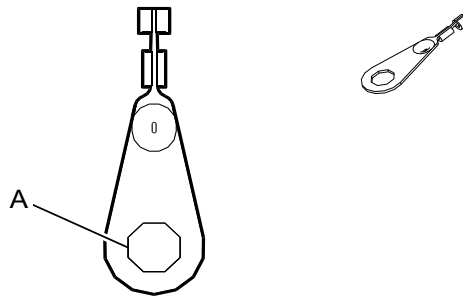
Terminal Part Information

Terminal Type ID	Terminated Lead	Diagnostic Test Probe	Terminal Removal Tool	Service Terminal	Tray Name	Core Crimp	Insulation Crimp
I	Not Required	J-35616-16 (LT GN)	No Tool Required	Not Required	Not Required	Not Required	Not Required

B37B Engine Oil Pressure Sensor (LCV)

Pin	Size	Color	Circuit	Function	Terminal Type ID	Option
1	0.5	YE/BN	331	Oil Pressure Sensor Signal	I	—
2	0.5	BK/VT	2755	Oil Pressure Sensor Low Reference	I	—
3	0.5	WH/RD	2705	Oil Pressure Sensor 5V Reference	I	—

C1 Battery X3



2906941

Connector Part Information

Harness Type: Body
 OEM Connector: 13268280
 Service Connector: Service by Cable Assembly — See Part Catalog
 Description: 1-Way Ring Terminal

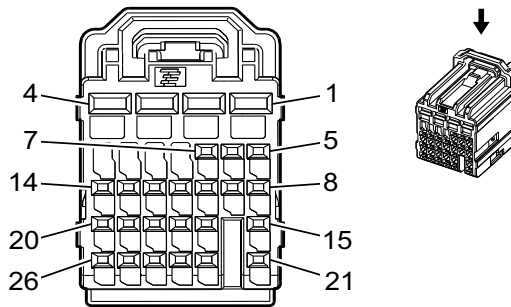
Terminal Part Information

Terminal Type ID	Terminated Lead	Diagnostic Test Probe	Terminal Removal Tool	Service Terminal	Tray Name	Core Crimp	Insulation Crimp
I	Not Required	No Tool Required	No Tool Required	Not Required	Not Required	Not Required	Not Required

C1 Battery X3

Pin	Size	Color	Circuit	Function	Terminal Type ID	Option
A	0.5	BK	1650	Ground	I	—

K9 Body Control Module X5



2537271

Connector Part Information

Harness Type: Body
 OEM Connector: 2098067-4
 Service Connector: 13576034
 Description: 26-Way F 0.64, 2.8 Series (BN)

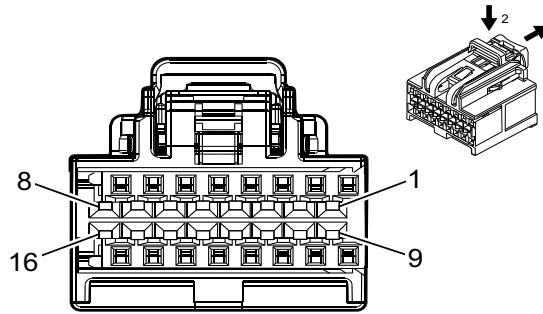
Terminal Part Information

Terminal Type ID	Terminated Lead	Diagnostic Test Probe	Terminal Removal Tool	Service Terminal	Tray Name	Core Crimp	Insulation Crimp
I	13575578	J-35616-35 (VT)	J-38125-553	8100-4445	Sumitomo 22	Not Available	Not Available
II	13582297	J-35616-64B (LT BU)	J-38125-22	Not Available	Not Available	Not Available	Not Available
III	13582326	J-35616-35 (VT)	J-38125-553	8100-4444	Sumitomo 22	2	A

K9 Body Control Module X5

Pin	Size	Color	Circuit	Function	Terminal Type ID	Option
1	1.5	GY/YE	7542	Left Rear Stop Lamp Control	I	—
2	0.75	L-BU/WH	1314	Left Front Turn Signal Lamp Control	III	—
3	1.5	RD/WH	2740	Battery Positive Voltage	I	—
4	1.5	RD/VT	2640	Battery Positive Voltage	I	—
5	—	—	—	Not Occupied	—	—
6	0.5	BK/VT	5077	Current Sensor Low Reference	II	—
7	0.5	BN/GY	2609	Right Rear Park Lamp Control	II	—
8	0.5	L-BU/WH	5186	Left Trailer Turn Signal Lamp Control	II	—
9 - 11	—	—	—	Not Occupied	—	—
12	0.5	WH/L-BU	6311	Cruise/ETC/TCC Brake Signal	II	—
13	0.5	BN/WH	1317	Fog Lamp Relay Control	II	—
14	0.5	VT/BN	300	Run Ignition 3 Voltage	II	—
15	—	—	—	Not Occupied	—	—
16	0.5	VT/YE	3267	Child Security Lock Relay Control	II	—
17	0.5	YE/GY	5187	Right Trailer Turn Signal Lamp Control	II	—
18	0.5	BN/VT	1969	Headlamp High Beam Relay Control	II	—
19	0.5	BN/WH	28	Horn Relay Control	II	—

K56 Serial Data Gateway Module X2



4873254

Connector Part Information

Harness Type: Instrument Panel
 OEM Connector: 35016344
 Service Connector: 13519739
 Description: 16-Way F 0.64 OCS Series (GY)

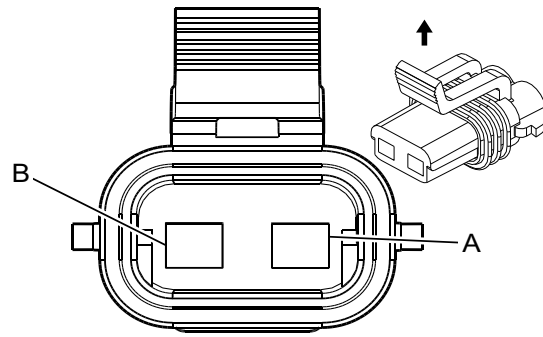
Terminal Part Information

Terminal Type ID	Terminated Lead	Diagnostic Test Probe	Terminal Removal Tool	Service Terminal	Tray Name	Core Crimp	Insulation Crimp
I	13587581	J-35616-64B (LT BU)	J-38125-12A	Not Available	Not Available	Not Available	Not Available

K56 Serial Data Gateway Module X2

Pin	Size	Color	Circuit	Function	Terminal Type ID	Option
1	0.5	L-BU	2500	High Speed GMLAN Serial Data (+) 1	I	—
2	0.5	WH	2501	High Speed GMLAN Serial Data (-) 1	I	—
3 - 9	—	—	—	Not Occupied	—	—
10	0.5	GY/L-GN	1102	Low Speed GMLAN Serial Data #2	I	—
11	0.35	L-BU/L-GN	1304	High Speed GMLAN Serial Data (+)9	I	—
12	0.35	WH/L-GN	1305	High Speed GMLAN Serial Data (-)9	I	—
13 - 16	—	—	—	Not Occupied	—	—

P3 Backup Alarm



68721

Connector Part Information

Harness Type: Chassis
 OEM Connector: 15300027
 Service Connector: -
 Description: 2-Way F 280 Metri-Pack Series, Sealed (BK)

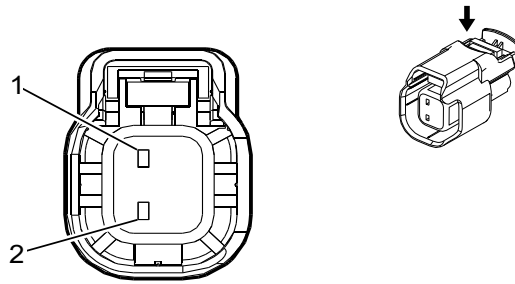
Terminal Part Information

Terminal Type ID	Terminated Lead	Diagnostic Test Probe	Terminal Removal Tool	Service Terminal	Tray Name	Core Crimp	Insulation Crimp
I	Not Required	J-35616-4A (PU)	No Tool Required	Not Required	Not Required	Not Required	Not Required

P3 Backup Alarm

Pin	Size	Color	Circuit	Function	Terminal Type ID	Option
A	0.75	GY	1624	Trailer Backup Lamp Control	I	—
B	0.75	BK	22	Trailer Ground	I	—

Q61 Reductant Injector



3028817

Connector Part Information

Harness Type: Engine
 OEM Connector: 34062-4009
 Service Connector: 19352404
 Description: 2-Way F 1.5 Series, Sealed (BK)

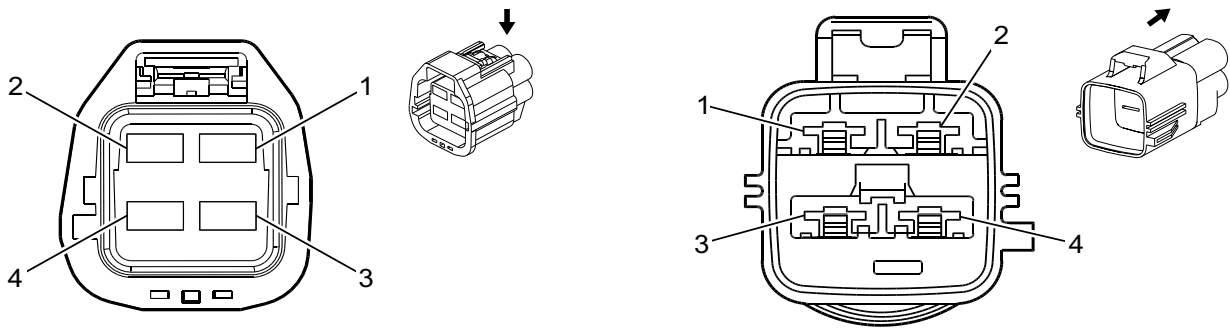
Terminal Part Information

Terminal Type ID	Terminated Lead	Diagnostic Test Probe	Terminal Removal Tool	Service Terminal	Tray Name	Core Crimp	Insulation Crimp
I	Not Required	J-35616-2A (GY)	No Tool Required	Not Required	Not Required	Not Required	Not Required

Q61 Reductant Injector

Pin	Size	Color	Circuit	Function	Terminal Type ID	Option
1	0.5	BN/WH	3100	DEF Dosing Valve Low Control	I	—
2	0.5	BN	3099	DEF Dosing Valve High Control	I	—

X109 Engine Harness to Forward Lamp Harness (LWN)



2852121

1853524

Connector Part Information

Harness Type: Engine
 OEM Connector: 7283-3108-10
 Service Connector: 13501883
 Description: 4-Way F 6.3 Series, Sealed (D-GY)

Connector Part Information

Harness Type: Forward Lamp
 OEM Connector: 7282-5595-10
 Service Connector: 13585864
 Description: 4-Way M 6.3 Series, Sealed (D-GY)

Terminal Part Information

Terminal Type ID	Terminated Lead	Diagnostic Test Probe	Terminal Removal Tool	Service Terminal	Tray Name	Core Crimp	Insulation Crimp
I	Not Required	J-35616-42 (RD)	No Tool Required	Not Required	Not Required	Not Required	Not Required
II	Not Required	J-35616-43 (RD)	No Tool Required	Not Required	Not Required	Not Required	Not Required

X109 Engine Harness to Forward Lamp Harness (LWN)

Pin	Size	Color	Circuit	Terminal Type ID	Option	Function	Pin	Size	Color	Circuit	Terminal Type ID	Option
1	6	BN/L-BU	104	I	—	Glow Plug Control	1	4	BN/L-BU	104	II	—
2	4	L-BU	3921	I	—	DEF Heater Supply 1	2	4	L-BU	3921	II	—
3	2.5	L-BU/L-GN	7071	I	—	Heater Fuel Control	3	2.5	L-BU/L-GN	7071	II	—
4	—	—	—	—	—	Not Occupied	4	—	—	—	—	—