

2004 LAND CRUISER ELECTRICAL WIRING DIAGRAM

	Section Code	Page
INTRODUCTION	A	2
HOW TO USE THIS MANUAL	B	3
TROUBLESHOOTING	C	12
ABBREVIATIONS	D	17
GLOSSARY OF TERMS AND SYMBOLS	E	18
RELAY LOCATIONS	F	20
ELECTRICAL WIRING ROUTING	G	68
SYSTEM CIRCUITS	H	93
GROUND POINT	I	376
POWER SOURCE (Current Flow Chart)	J	384
CONNECTOR LIST	K	394
PART NUMBER OF CONNECTORS	L	406
OVERALL ELECTRICAL WIRING DIAGRAM .	M	410

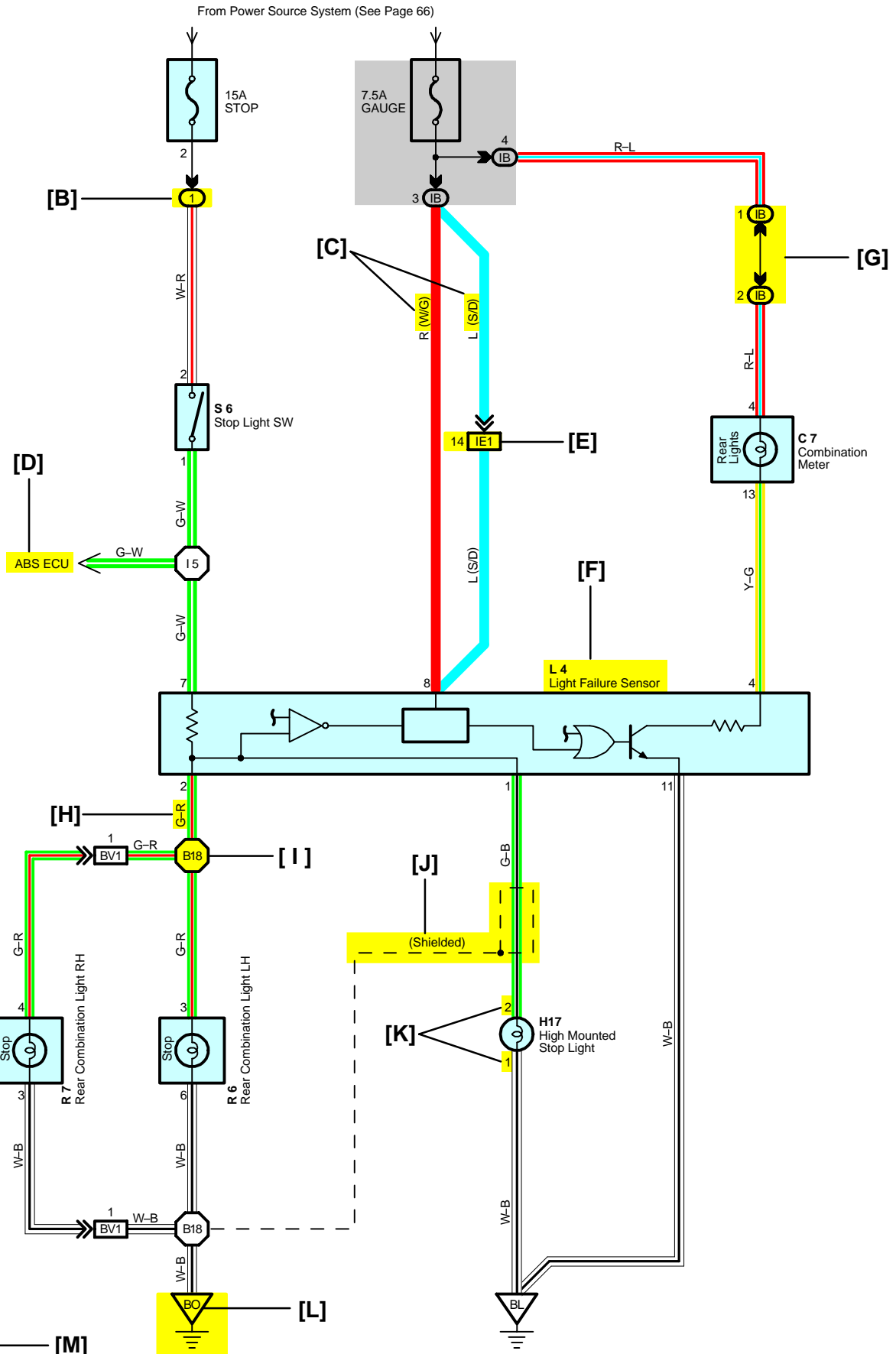
▲2003 TOYOTA MOTOR CORPORATION

All rights reserved. This book may not be reproduced or copied, in whole or in part, without the written permission of Toyota Motor Corporation.

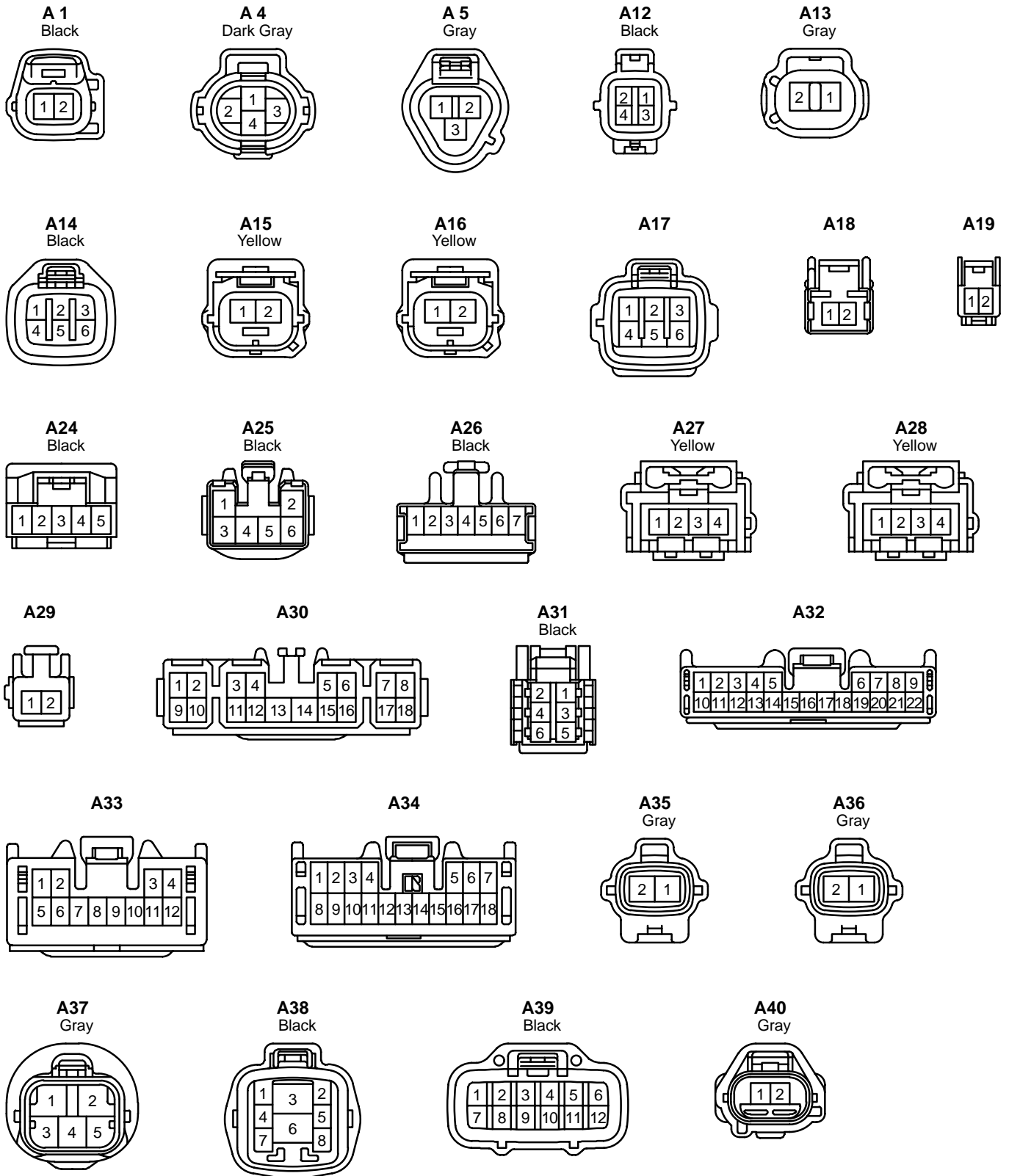
B HOW TO USE THIS MANUAL

* The system shown here is an EXAMPLE ONLY. It is different to the actual circuit shown in the SYSTEM CIRCUITS SECTION.

[A] Stop Light

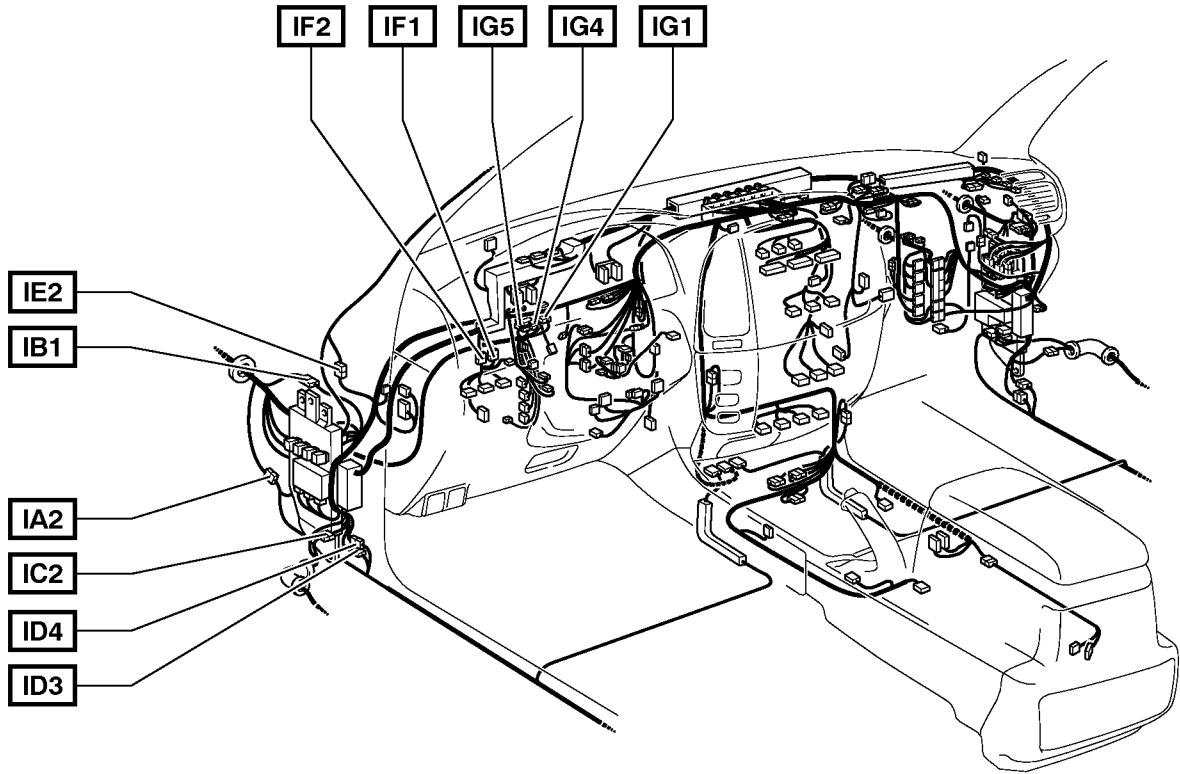


K CONNECTOR LIST

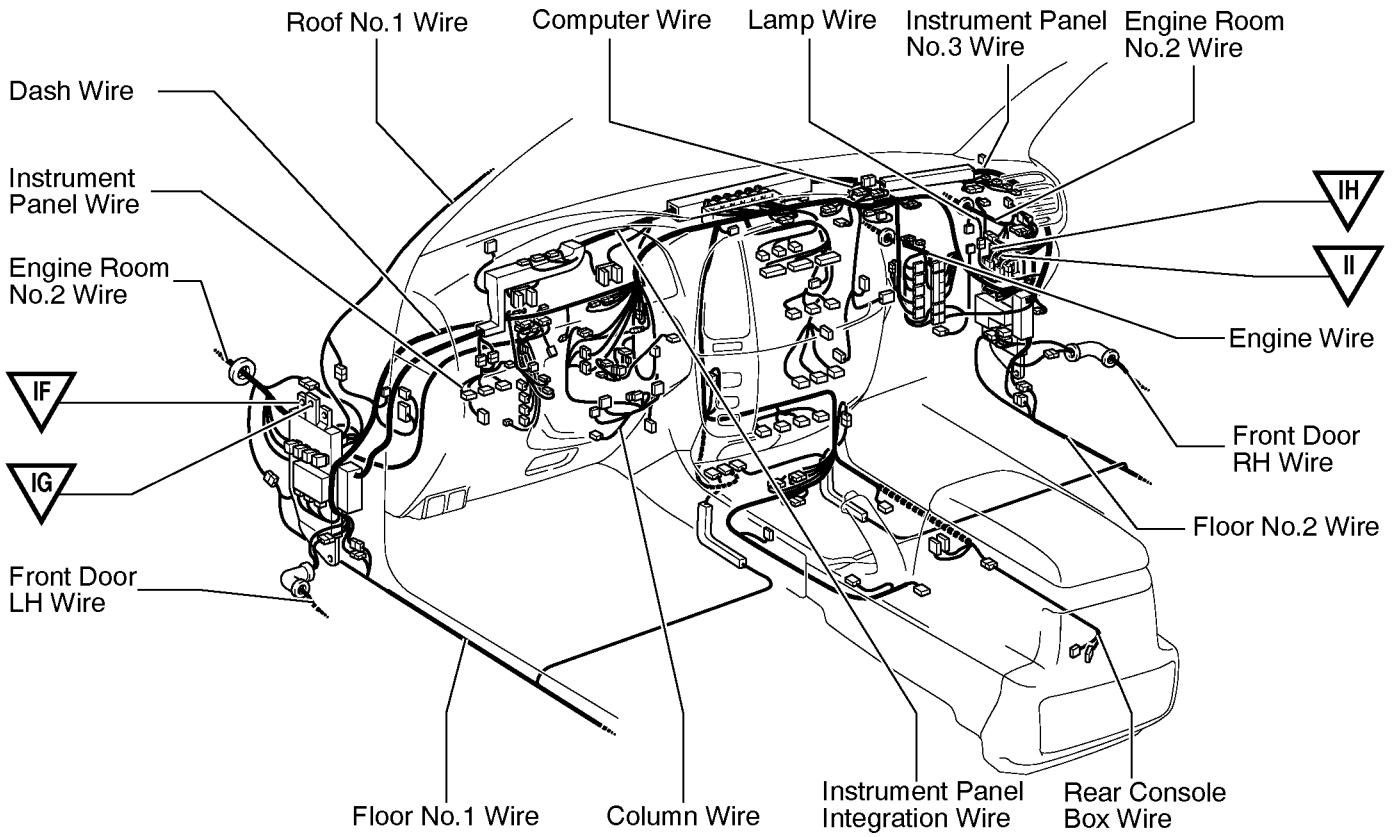


G ELECTRICAL WIRING ROUTING

□ : Location of Connector Joining Wire Harness and Wire Harness



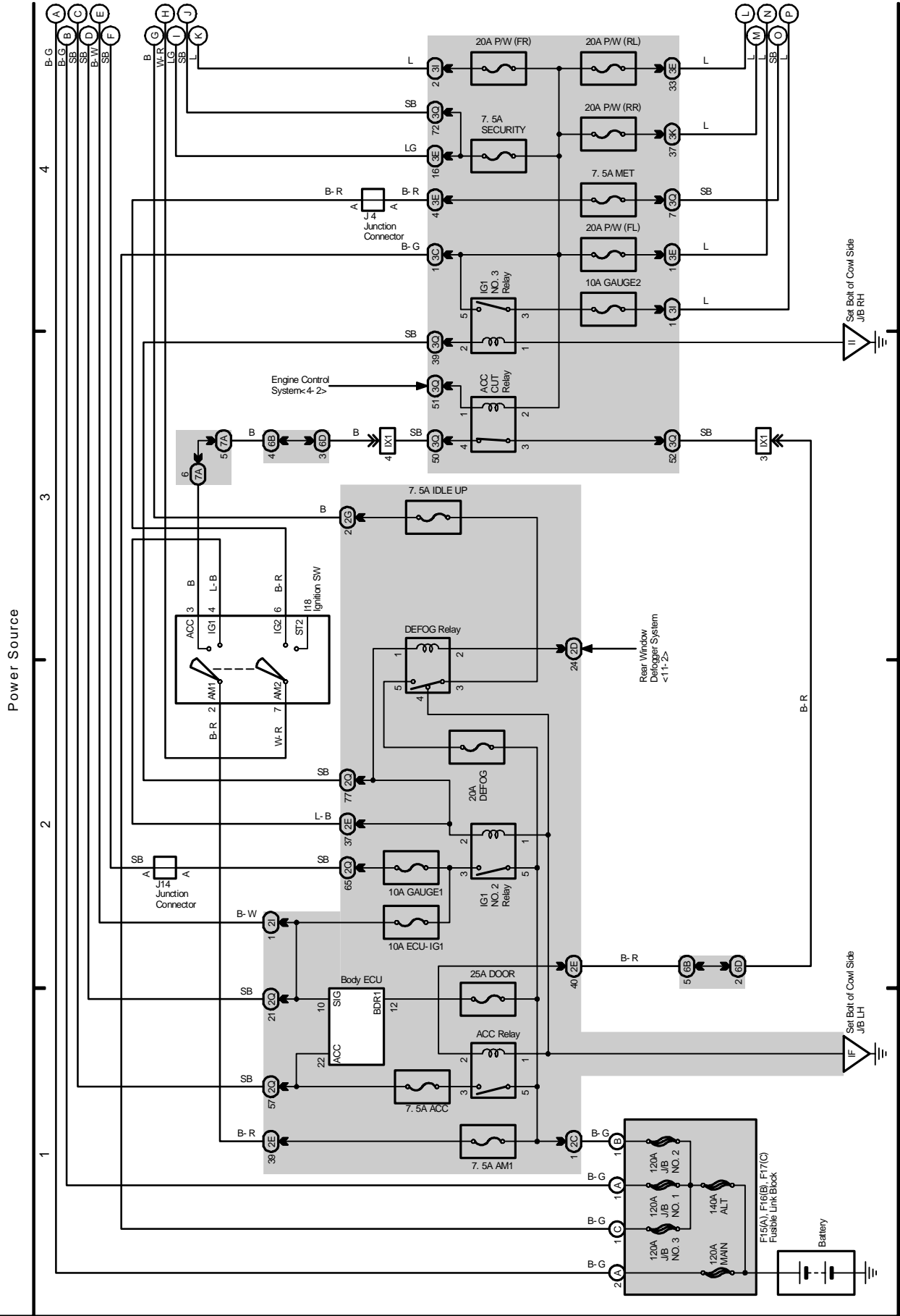
▽ : Location of Ground Points



M OVERALL ELECTRICAL WIRING DIAGRAM

1 LAND CRUISER

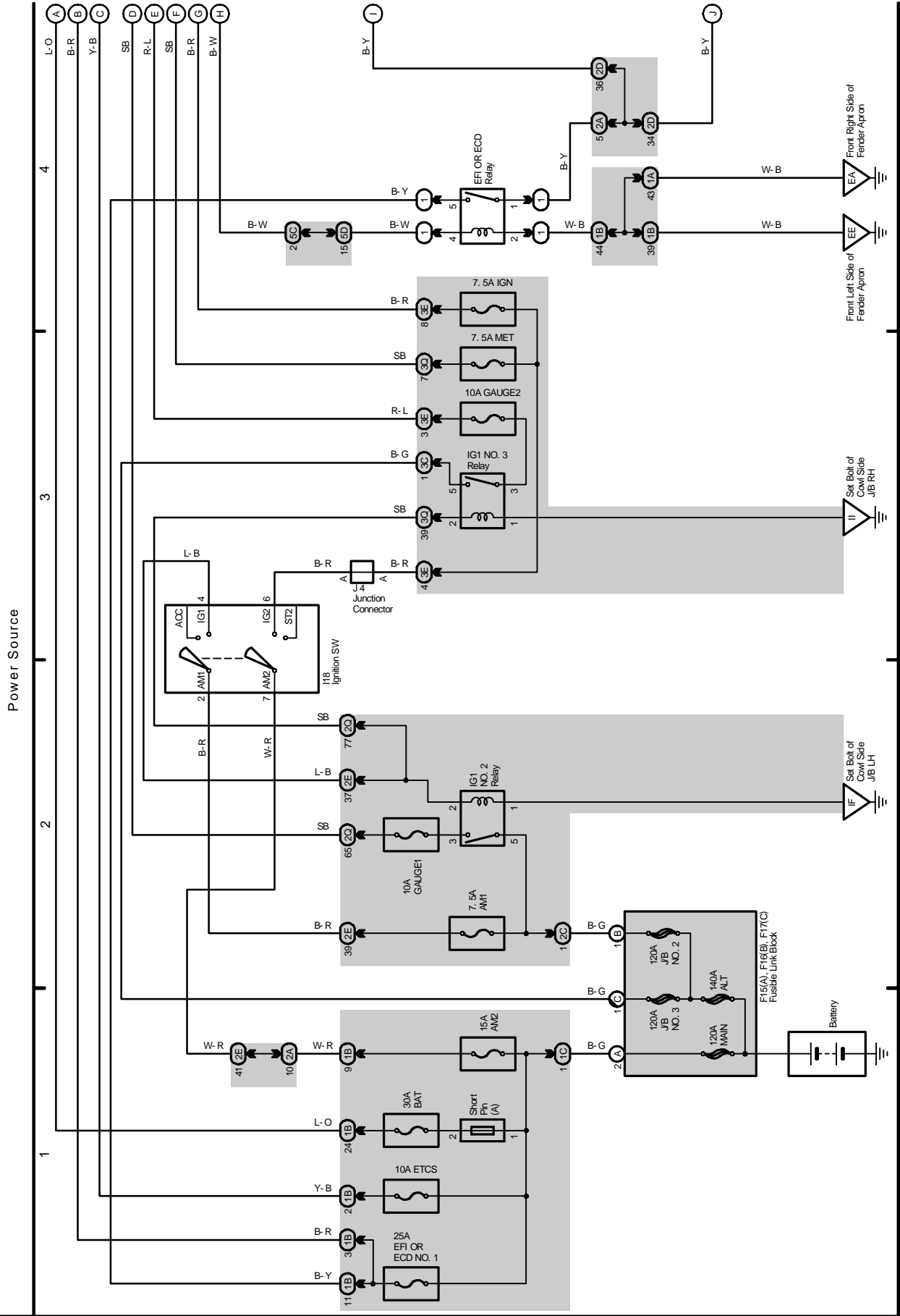
(Cont. next page)



M OVERALL ELECTRICAL WIRING DIAGRAM

5 LAND CRUISER

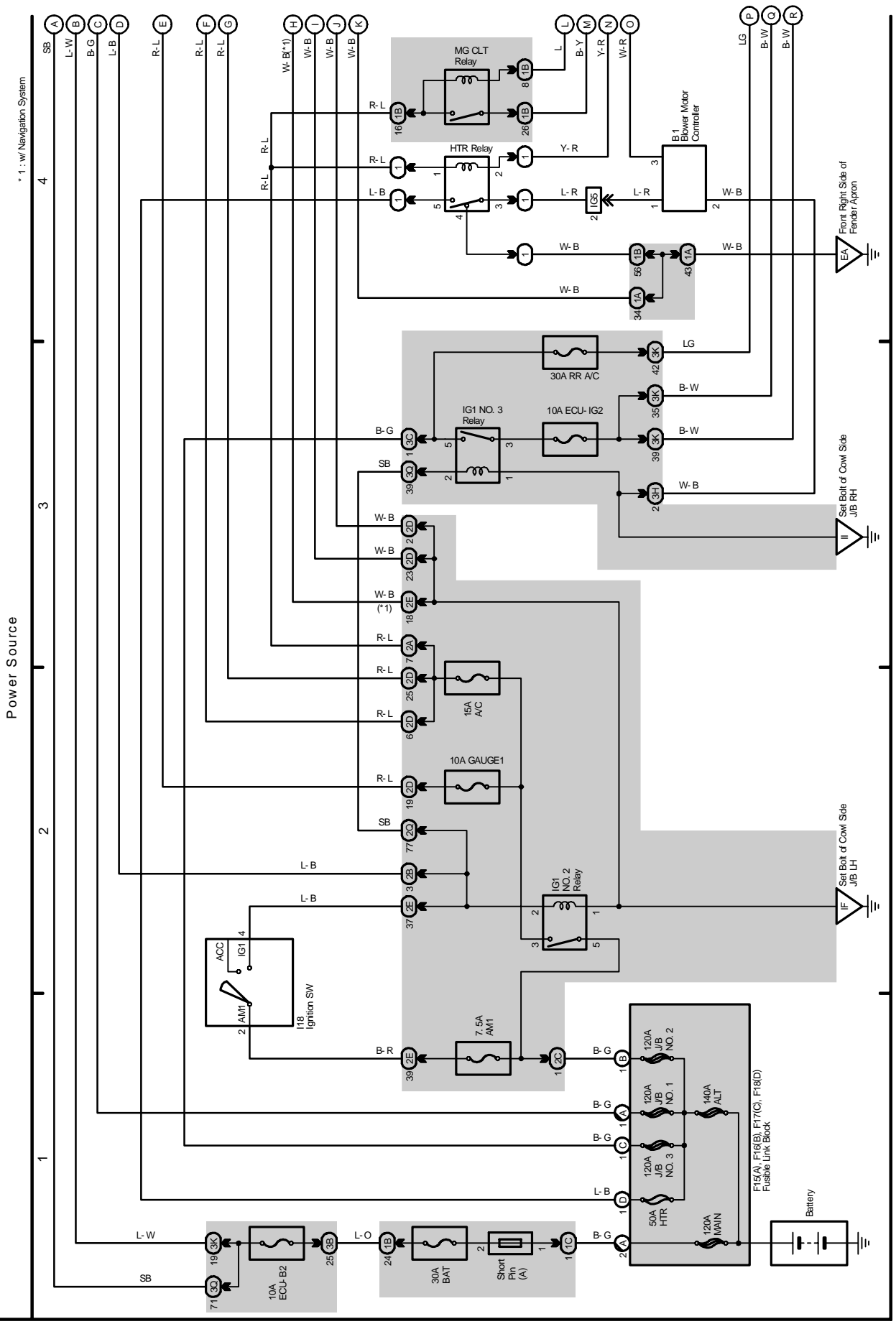
(Cont. next page)



M OVERALL ELECTRICAL WIRING DIAGRAM

31 LAND CRUISER

(Cont. next page)

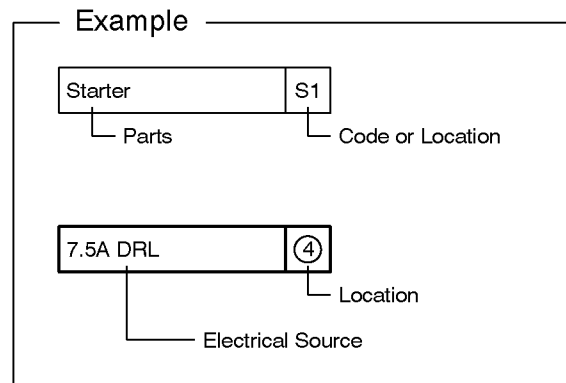


Power Source

* 1 : w/Navigation System

10A RADIO	④
10A ECU-B2	
10A DOME	

10A EFI OR ECD NO.2	③
---------------------	---



7.5A IGN	④
7.5A MET	

10A HEAD LH-LWR	②
10A HEAD RH-LWR	

7.5A SECURITY	④
20A TIL & TEL	
30A RH SEAT	
30A RR A/C	
20A P/W (RR)	
20A P/W (RL)	
20A P/W (FR)	
20A P/W (FL)	

IG1 NO.3 Relay (Point Side)	④
-----------------------------	---

20A DIFF	④
10A ECU-IG2	
15A WASHER	
25A WIPER	
10A GAUGE2	
15A SEAT HTR	

15A TAIL	②
7.5A PANEL	
30A TOWING TAIL	

15A MIR HTR	②
10A RR HTR	
30A TOWING BRK	
30A TOWING	
15A FR FOG	

10A FR-IG	②
-----------	---

7.5A AM1	③
30A LH SEAT	
15A STOP	
10A ECU-B1	
25A SUN ROOF	
7.5A OBD-2	
25A DOOR	

DEFOG Realy (Point Side)	③
--------------------------	---

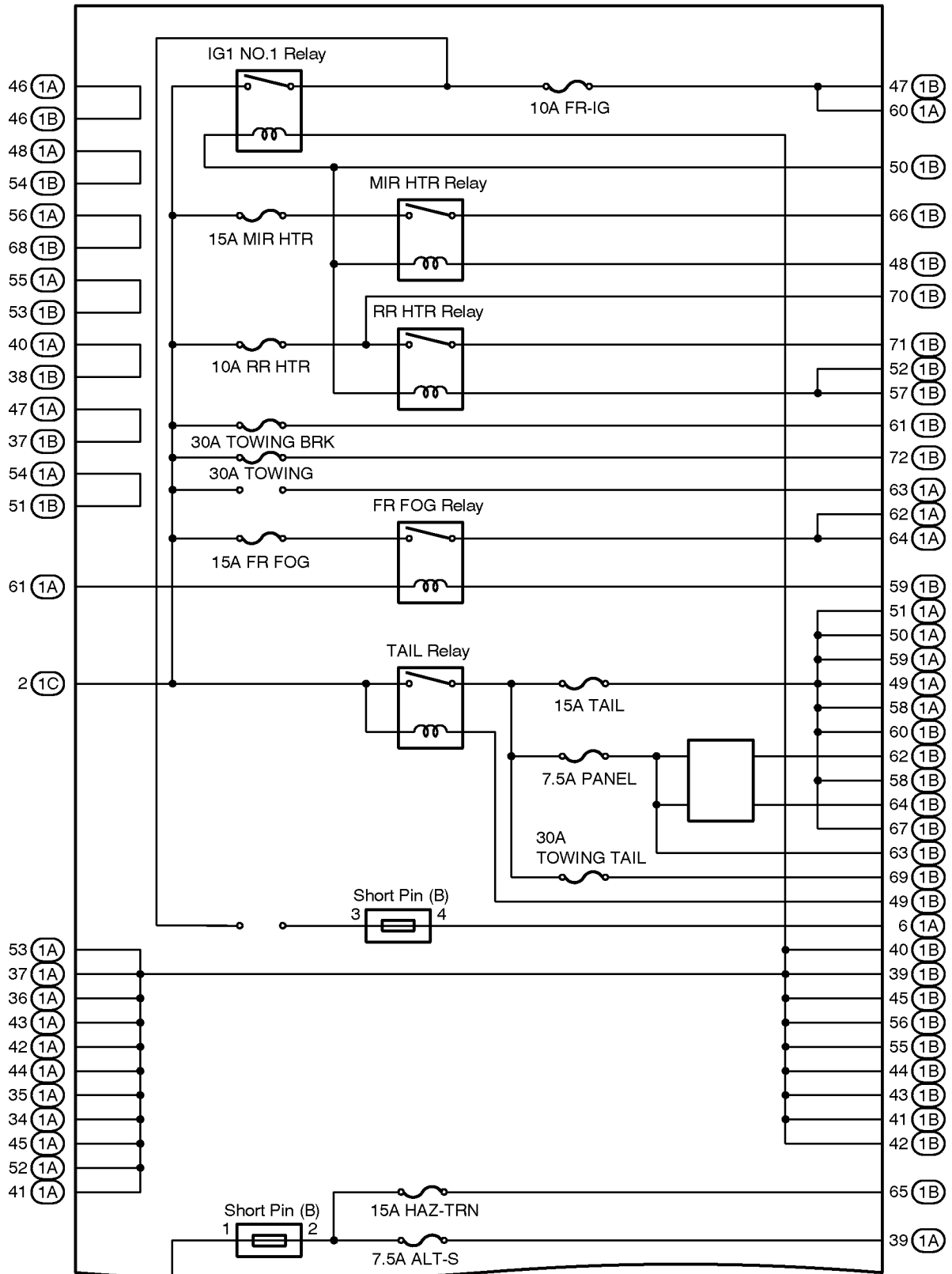
7.5A IDLE UP	③
--------------	---

15A PWR OUTLET	③
15A CIG	
7.5A ACC	

15A RR WIPER	③
10A ECU-IG1	
10A GAUGE1	
30A BATT CHARGE	
15A A/C	

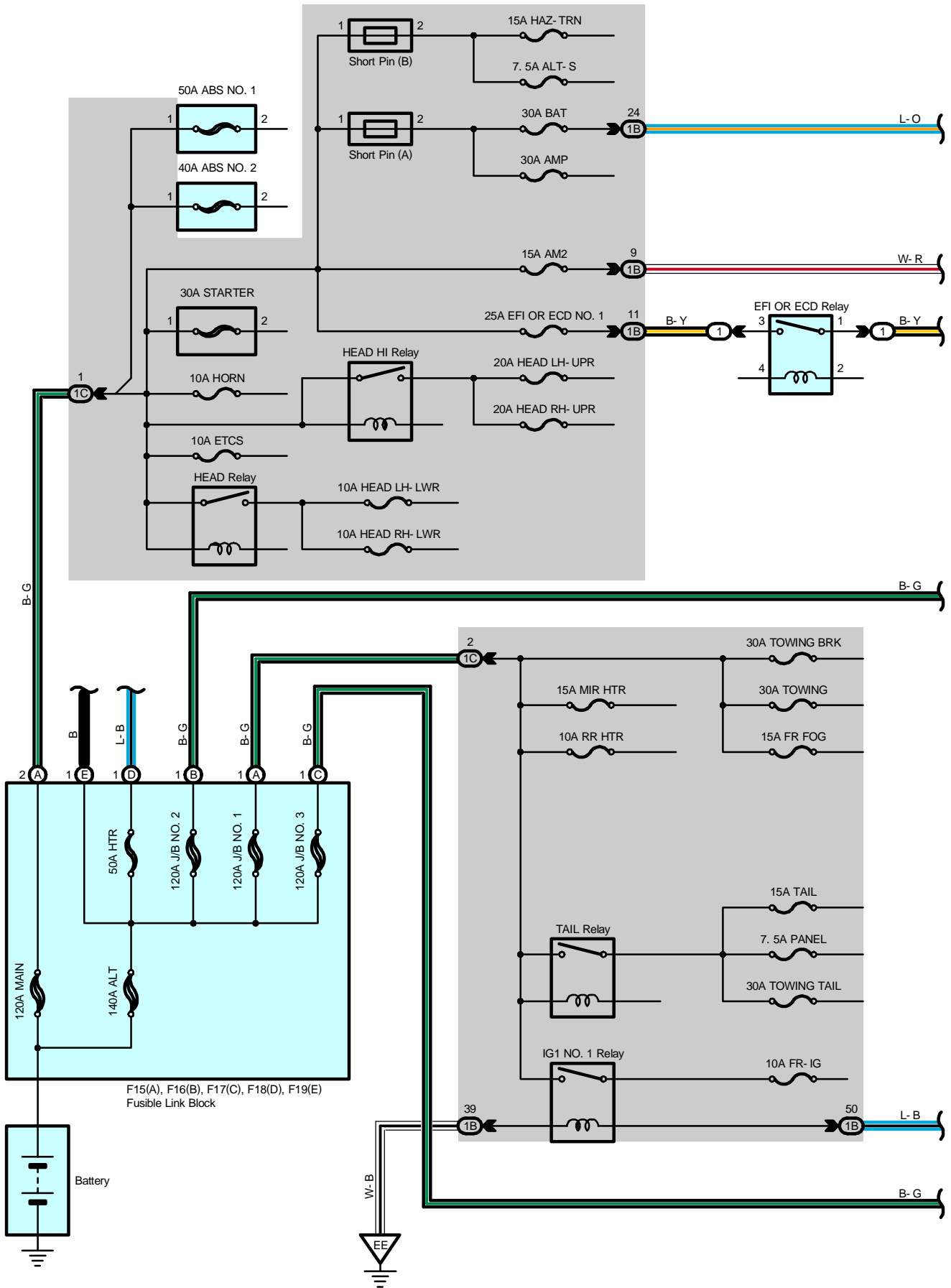
F RELAY LOCATIONS

[Engine Room J/B Inner Circuit]



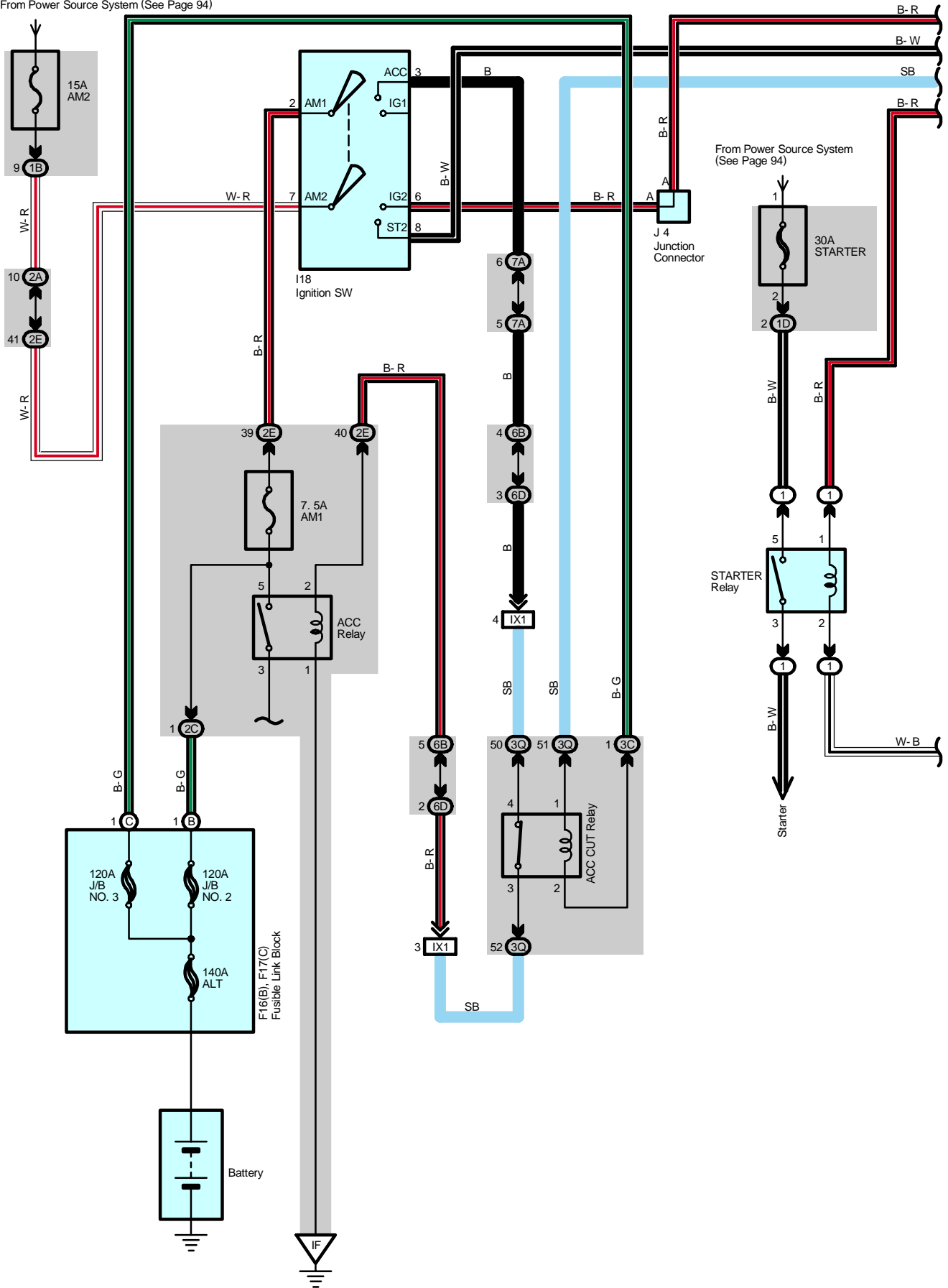
(Cont. next page)

Power Source

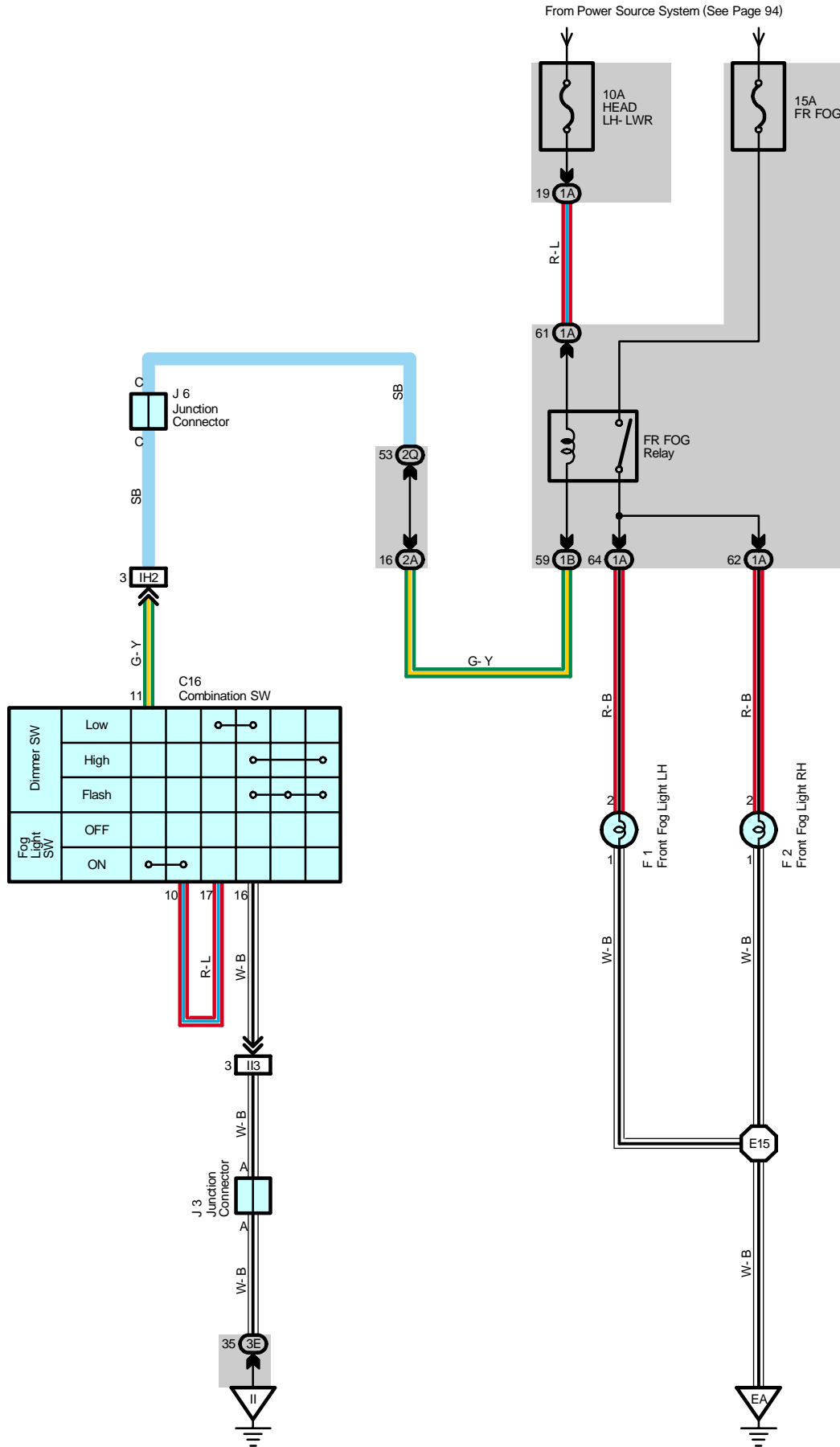


Engine Control

From Power Source System (See Page 94)



Front Fog Light



Illumination

Service Hints

C16 Combination SW

14-16 : Closed with light control SW at TAIL or HEAD position

○ : Parts Location

Code	See Page	Code	See Page	Code	See Page
A29	70	G3	70	M5	71
A32	72	J3	71	M9	71
A47	70	J6	71	O5	72
A48	70	J7	71	P6	71
B9	C	J9	A	P7	71
C11	70	J10	B	R5	71
C13	B	J12		R6	71
C15	D	J14		R36	71
C16	70	J18	A	R40	71
C18	70	J19	B	S3	71
C28	70	J20	A	S4	71
E4	70	J21	B		
F15	68	J23	72		

○ : Junction Block and Wire Harness Connector

Code	See Page	Junction Block and Wire Harness (Connector Location)
1B	24	Engine Room No.2 Wire and Engine Room J/B (Engine Compartment Left)
1C		
2B	28	Engine Room No.2 Wire and Cowl Side J/B LH (Left Kick Panel)
2D	28	Dash Wire and Cowl Side J/B LH (Left Kick Panel)
2L	28	Roof No.1 Wire and Cowl Side J/B LH (Left Kick Panel)
2Q	30	Instrument Panel Integration Wire and Cowl Side J/B LH (Left Kick Panel)
3D	40	Dash Wire and Cowl Side J/B RH (Right Kick Panel)
3E		
3K	40	Floor No.2 Wire and Cowl Side J/B RH (Right Kick Panel)
3Q	42	Instrument Panel Integration Wire and Cowl Side J/B RH (Right Kick Panel)
4A	52	Dash Wire and J/B No.4 (Instrument Panel Center)
4B		
4C		
4D		
4E		
4F		

□ : Connector Joining Wire Harness and Wire Harness

Code	See Page	Joining Wire Harness and Wire Harness (Connector Location)
IF1	78	Instrument Panel Integration Wire and Instrument Panel Wire (Left Side of Instrument Panel)
IF2		
IH2	80	Instrument Panel Integration Wire and Column Wire (Near the Ignition SW)
II3	80	Dash Wire and Column Wire (Near the Ignition SW)
II5		
IQ1	80	Instrument Panel Integration Wire and Lamp Wire (Behind the Glove Box)
IU1	82	Instrument Panel Integration Wire and Dash Wire (Behind the Glove Box)
IU3		
IX2	82	Instrument Panel Integration Wire and Engine Wire (Behind the Glove Box)

Rear Wiper and Washer

From Power Source System (See Page 94)

