

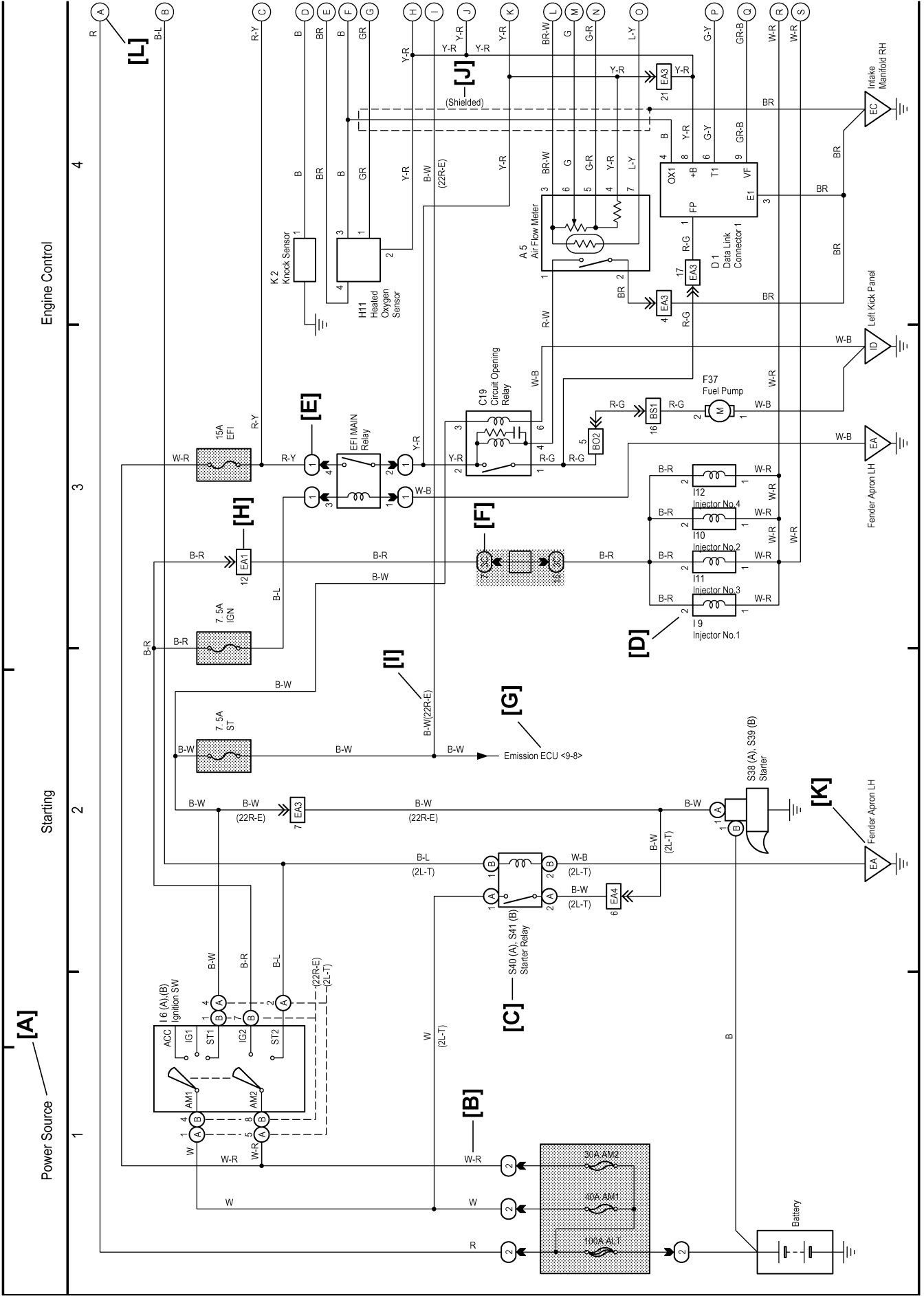
ELECTRICAL WIRING DIAGRAM

	Section Code	Page
INTRODUCTION	A	3
HOW TO USE THIS MANUAL	B	4
ABBREVIATIONS	C	6
RELAY LOCATIONS	D	8
ELECTRICAL WIRING ROUTING	E	16
CONNECTOR LIST	F	68
PART NUMBER OF CONNECTORS	G	76
OVERALL ELECTRICAL WIRING DIAGRAM .	H	80

B HOW TO USE THIS MANUAL

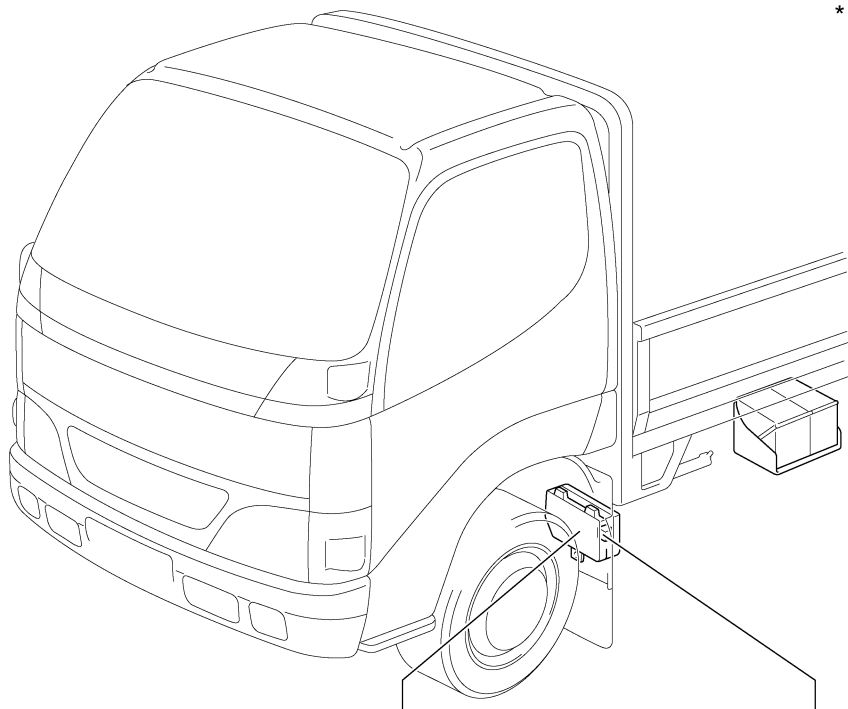
* The system shown here is an EXAMPLE ONLY. It is different to the actual circuit shown in the wiring diagram section.

HOW TO READ THIS SECTION



(Wide Cab)

- * 1:S05C-TB
- * 2:Except S05C-TB



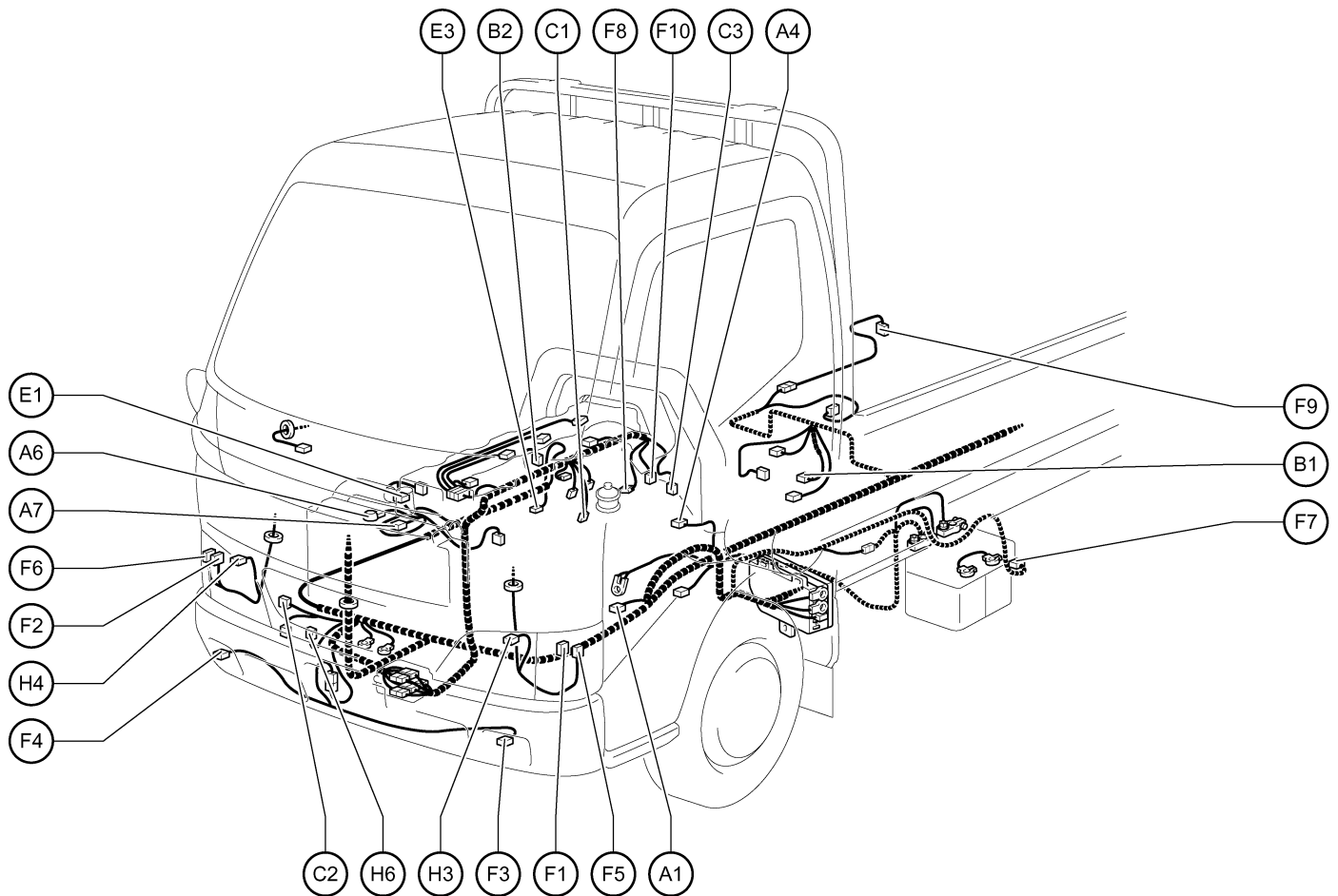
R/B No.2 (*1)
R/B No.2 and J/B No.2 (*2)

STARTER Relay

E ELECTRICAL WIRING ROUTING

Position of Parts in Engine Compartment

[LHD : S05C-TB]



A 1 A/C Magnetic Clutch
 A 4 Accel Position Sensor
 A 6 Alternator
 A 7 Alternator

B 1 Back-Up Light SW
 B 2 Brake Vacuum Warning SW

C 1 Camshaft Position Sensor
 C 2 Condenser Fan Motor and Resistor
 C 3 Crankshaft Position Sensor

E 1 EFI Water Temp. Sensor
 Water Temp. Sender
 E 3 Exhaust Brake Solenoid

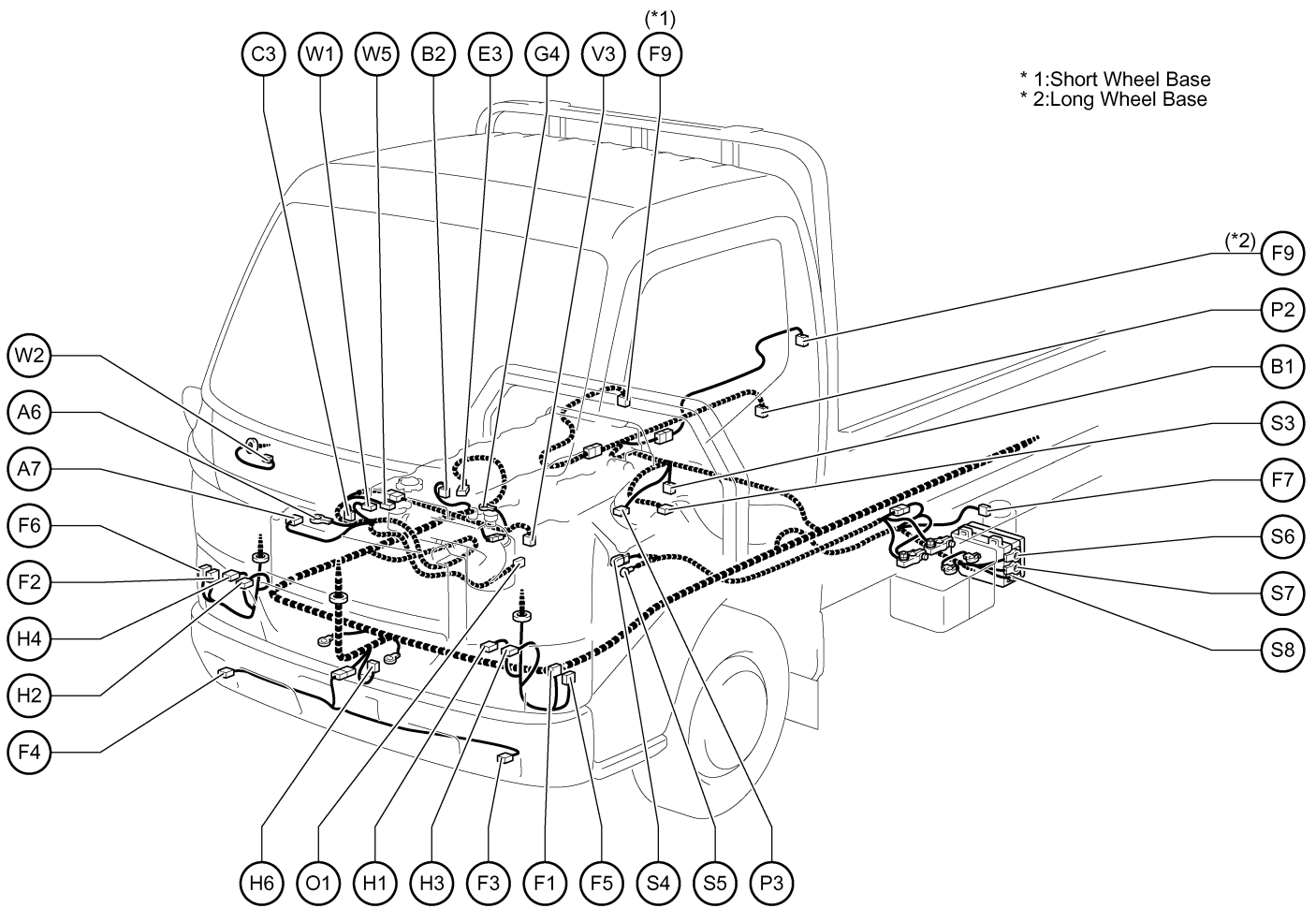
F 1 Front Clearance Light LH
 F 2 Front Clearance Light RH
 F 3 Front Fog Light LH
 F 4 Front Fog Light RH
 F 5 Front Turn Signal Light LH
 F 6 Front Turn Signal Light RH
 F 7 Fuel Filter Warning SW
 F 8 Fuel Pressure Sensor
 F 9 Fuel Sender
 F 10 Fuel Temp. Sensor

H 3 Headlight LH
 H 4 Headlight RH
 H 6 Horn (Low)

E ELECTRICAL WIRING ROUTING

Position of Parts in Engine Compartment

[LHD : W04D-J Standard Cab]



* 1: Short Wheel Base
* 2: Long Wheel Base

A 6 Alternator
A 7 Alternator

B 1 Back-Up Light SW
B 2 Brake Vacuum Warning SW

C 3 Crankshaft Position Sensor

E 3 Exhaust Brake Solenoid

F 1 Front Clearance Light LH
F 2 Front Clearance Light RH
F 3 Front Fog Light LH
F 4 Front Fog Light RH
F 5 Front Turn Signal Light LH
F 6 Front Turn Signal Light RH
F 7 Fuel Filter Warning SW
F 9 Fuel Sender

G 4 Glow Plug

H 1 Headlight Beam Level Control Actuator LH
H 2 Headlight Beam Level Control Actuator RH
H 3 Headlight LH
H 4 Headlight RH
H 6 Horn (Low)

O 1 Oil Pressure SW

P 2 PTO Solenoid Valve
P 3 PTO Transmission Neutral Position SW

S 3 Speed Sensor (Combination Meter)
S 4 Starter
S 5 Starter
S 6 STARTER Relay
S 7 STARTER Relay
S 8 STARTER Relay

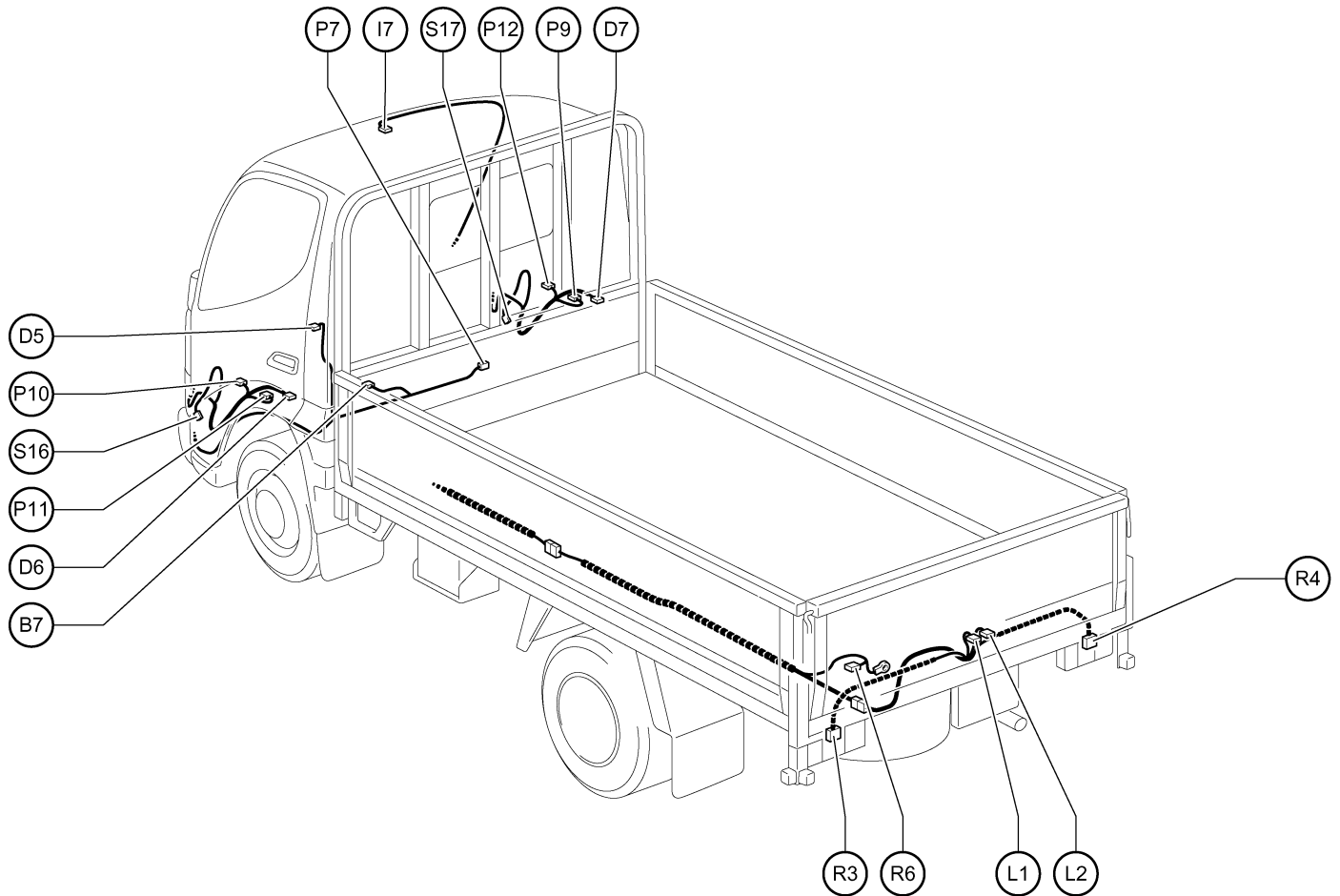
V 3 VSV (Intake Shutter)

W 1 Water Temp. SW
W 2 Wiper Motor
W 5 Water Temp. Sender

E ELECTRICAL WIRING ROUTING

Position of Parts in Body

[LHD : Except Standard Roof]



B 7 Buckle SW (Driver's Side)

D 5 Door Courtesy SW (Driver's Side)

D 6 Door Lock Control SW

D 7 Door Lock Motor (Passenger's Side)

I 7 Interior Light

L 1 License Plate Light LH

L 2 License Plate Light RH

P 7 Parking Brake SW

P 9 Power Window Control SW (Passenger's Side)

P10 Power Window Master SW

P11 Power Window Motor (Driver's Side)

P12 Power Window Motor (Passenger's Side)

R 3 Rear Combination Light LH

R 4 Rear Combination Light RH

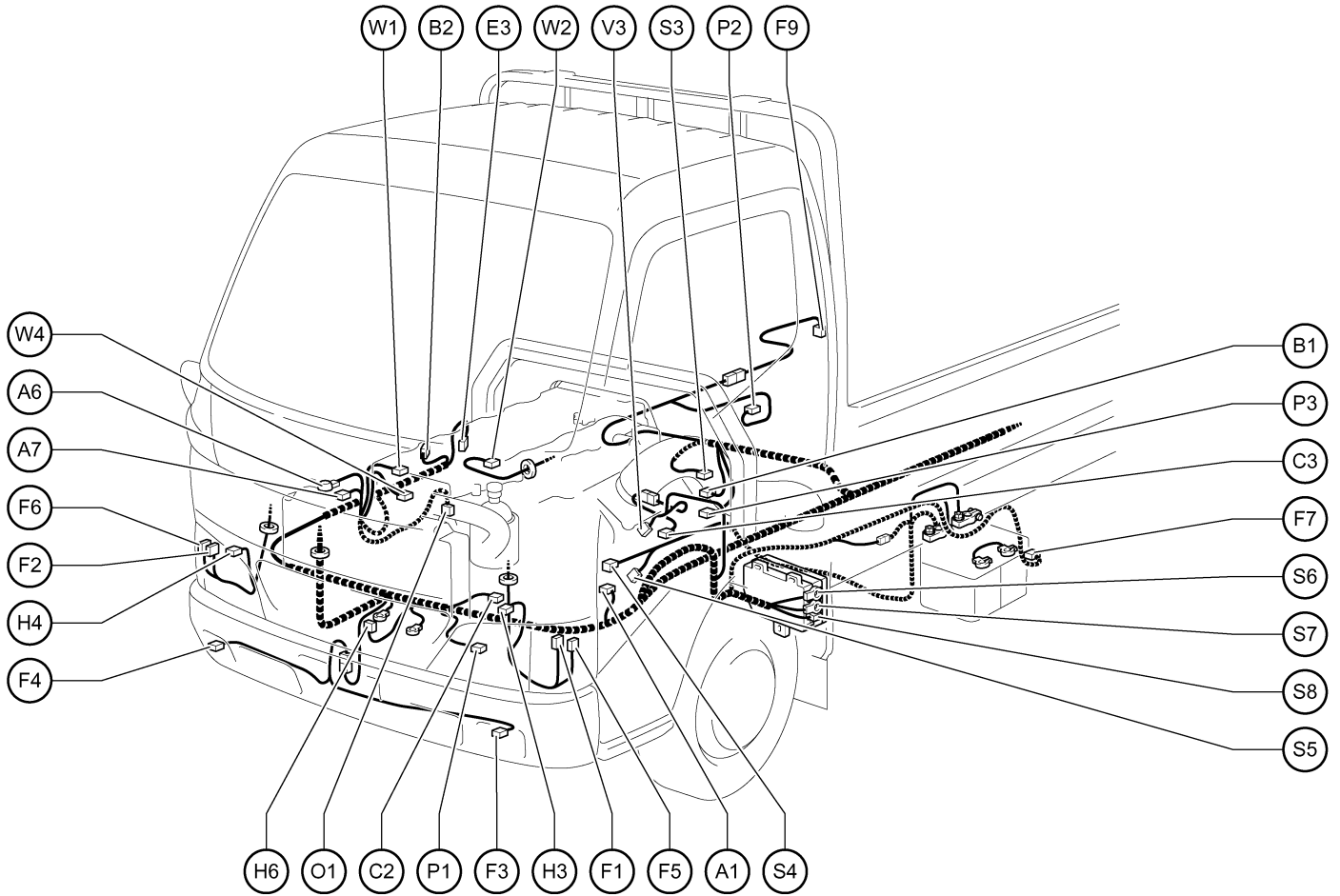
R 6 Reverse Warning Buzzer

S16 Speaker LH

S17 Speaker RH

Position of Parts in Engine Compartment

[RHD : S05C-TA]



A 1 A/C Magnetic Clutch
A 6 Alternator
A 7 Alternator

B 1 Back-Up Light SW
B 2 Brake Vacuum Warning SW

C 2 Condenser Fan Motor and Resistor
C 3 Crankshaft Position Sensor

E 3 Exhaust Brake Solenoid

F 1 Front Clearance Light LH
F 2 Front Clearance Light RH
F 3 Front Fog Light LH
F 4 Front Fog Light RH
F 5 Front Turn Signal Light LH
F 6 Front Turn Signal Light RH
F 7 Fuel Filter Warning SW
F 9 Fuel Sender

H 3 Headlight LH
H 4 Headlight RH
H 6 Horn (Low)

O 1 Oil Pressure SW

P 1 Pressure SW
P 2 PTO Solenoid Valve
P 3 PTO Transmission Neutral Position SW

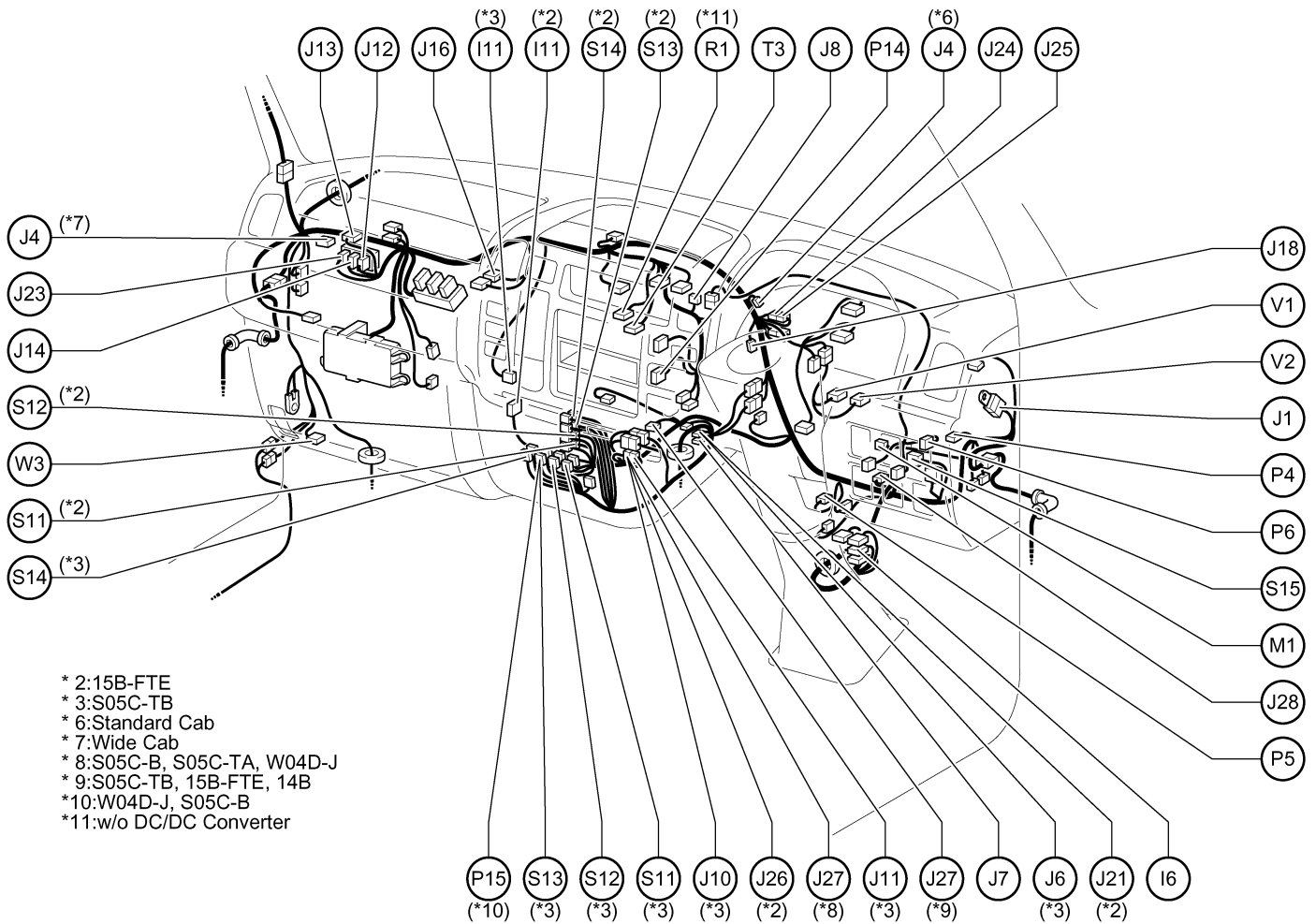
S 3 Speed Sensor (Combination Meter)
S 4 Starter
S 5 Starter
S 6 STARTER Relay
S 7 STARTER Relay
S 8 STARTER Relay

V 3 VSV (Intake Shutter)

W 1 Water Temp. SW
W 2 Wiper Motor
W 4 Water Temp. Sender

Position of Parts in Instrument Panel

[RHD]



I 6 Ignition SW
I 11 Integration Relay

J 1 Junction Connector
J 4 Junction Connector
J 6 Junction Connector
J 7 Junction Connector
J 8 Junction Connector
J 10 Junction Connector
J 11 Junction Connector
J 12 Junction Connector
J 13 Junction Connector
J 14 Junction Connector
J 16 Junction Connector
J 18 Junction Connector
J 21 Junction Connector
J 23 Junction Connector
J 24 Junction Connector
J 25 Junction Connector
J 26 Junction Connector
J 27 Junction Connector
J 28 Junction Connector

M 1 Master Cylinder Pressure Sensor

P 4 Power Outlet (Room)
P 5 PTO Clutch SW
P 6 PTO SW or Short Pin
P14 Parking Light SW or Short Pin
P15 Pre-Heating Timer

R 1 Radio and Player

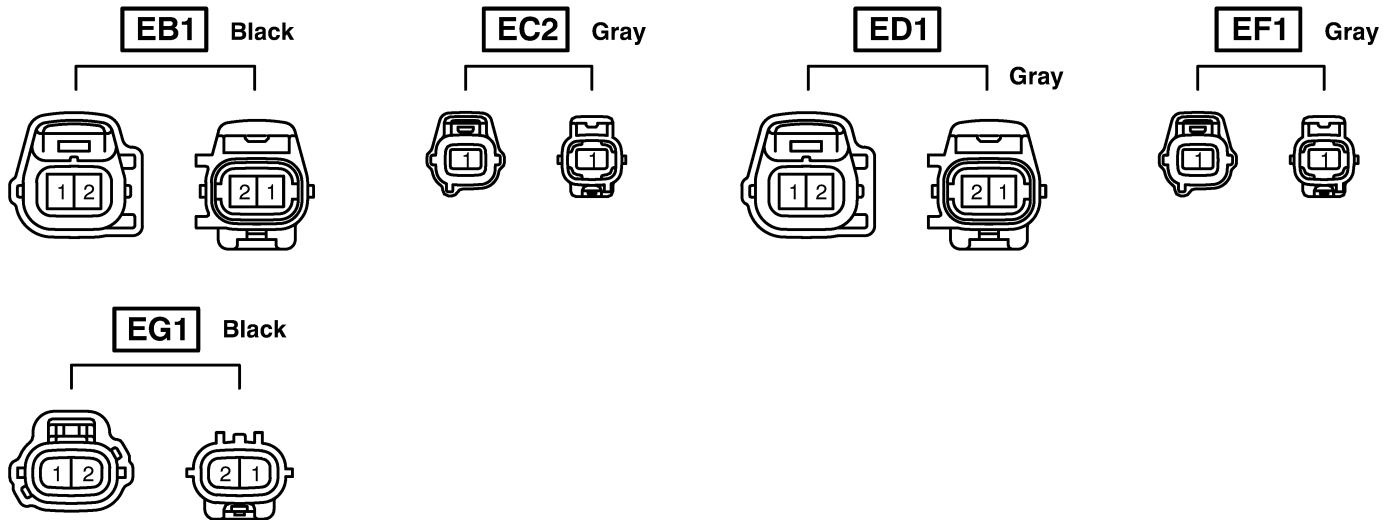
S11 Skid Control ECU
S12 Skid Control ECU
S13 Skid Control ECU
S14 Skid Control ECU
S15 Stop Light SW

T 3 Tachograph

V 1 Vacuum Sensor No.1
V 2 Vacuum Sensor No.2

W 3 Washer Motor

Connector Joining Wire Harness and Wire Harness



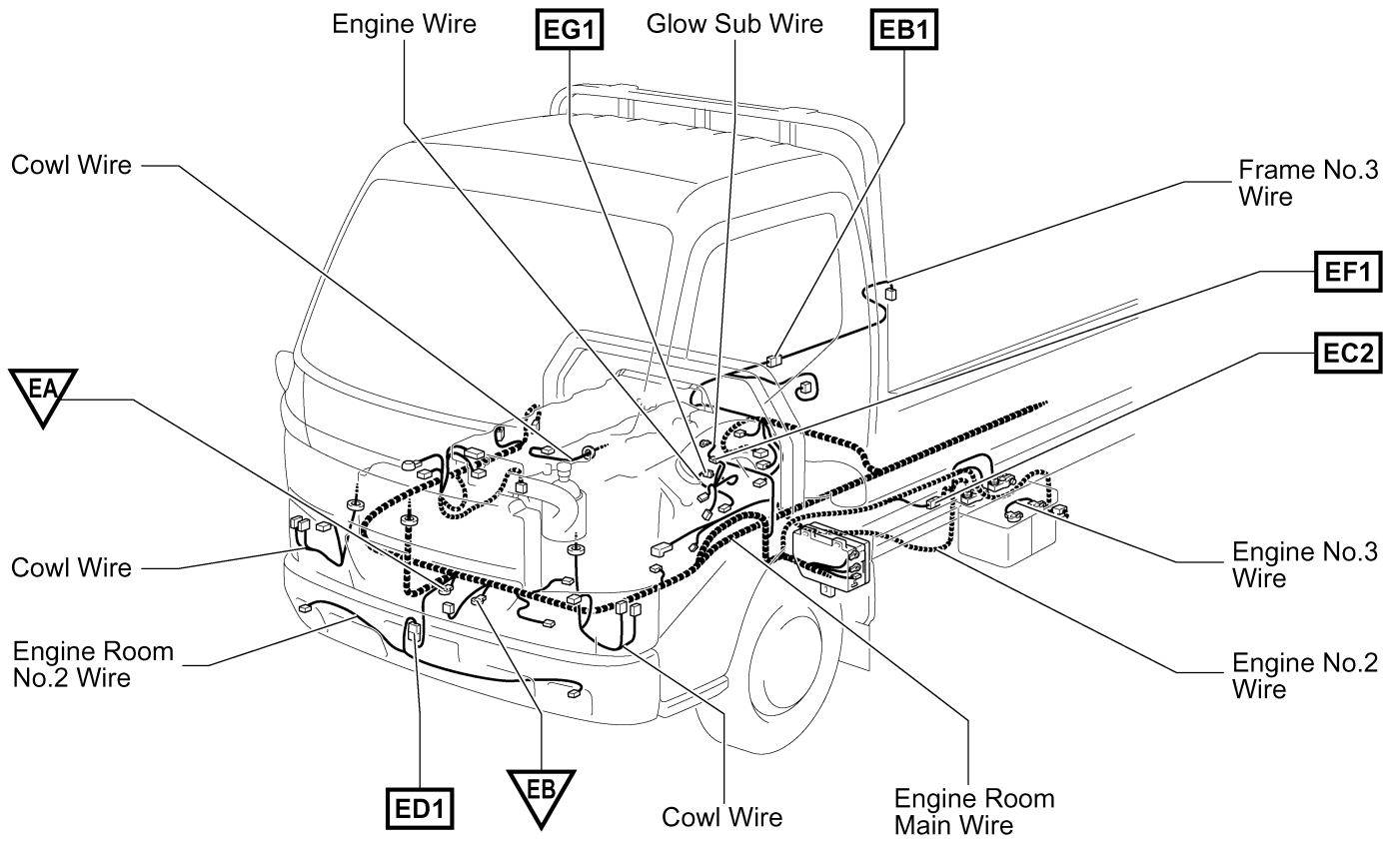
Code	Joining Wire Harness and Wire Harness (Connector Location)
EB1	Frame No.3 Wire and Engine Room Main Wire (Right Side of the No.3 Crossmember)
EC2	Engine No.2 Wire and Engine Room Main Wire (Left Side of the No.3 Crossmember)
ED1	Engine Room No.2 Wire and Engine Room Main Wire (Front Crossmember)
EF1	Engine Room Main Wire and Glow Sub Wire (Rear Left Side of the Engine Block)
EG1	Engine Room Main Wire and Engine Wire (Rear Left Side of the Engine Block)

E ELECTRICAL WIRING ROUTING

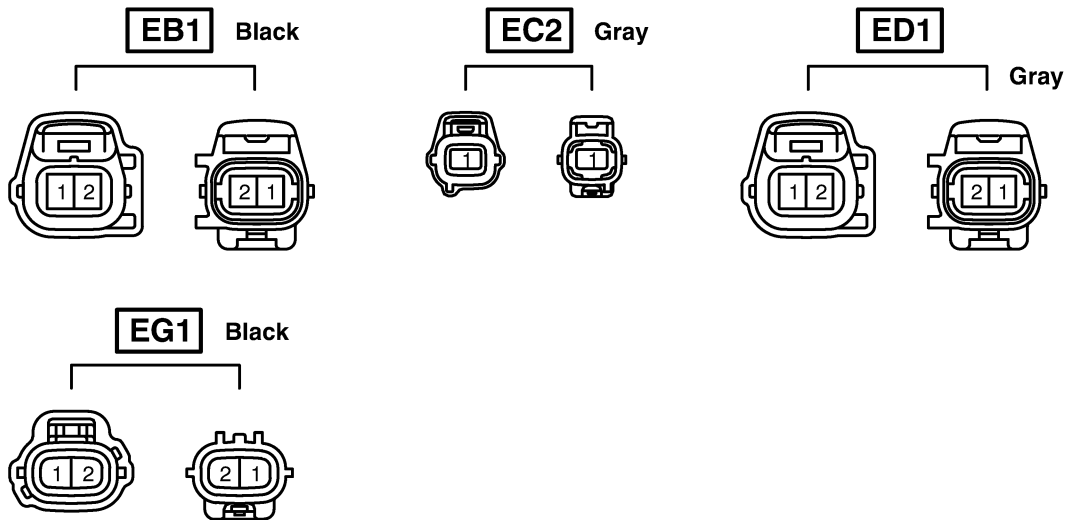
□ : Location of Connector Joining Wire Harness and Wire Harness

▽ : Location of Ground Points

[RHD : S05C-B]

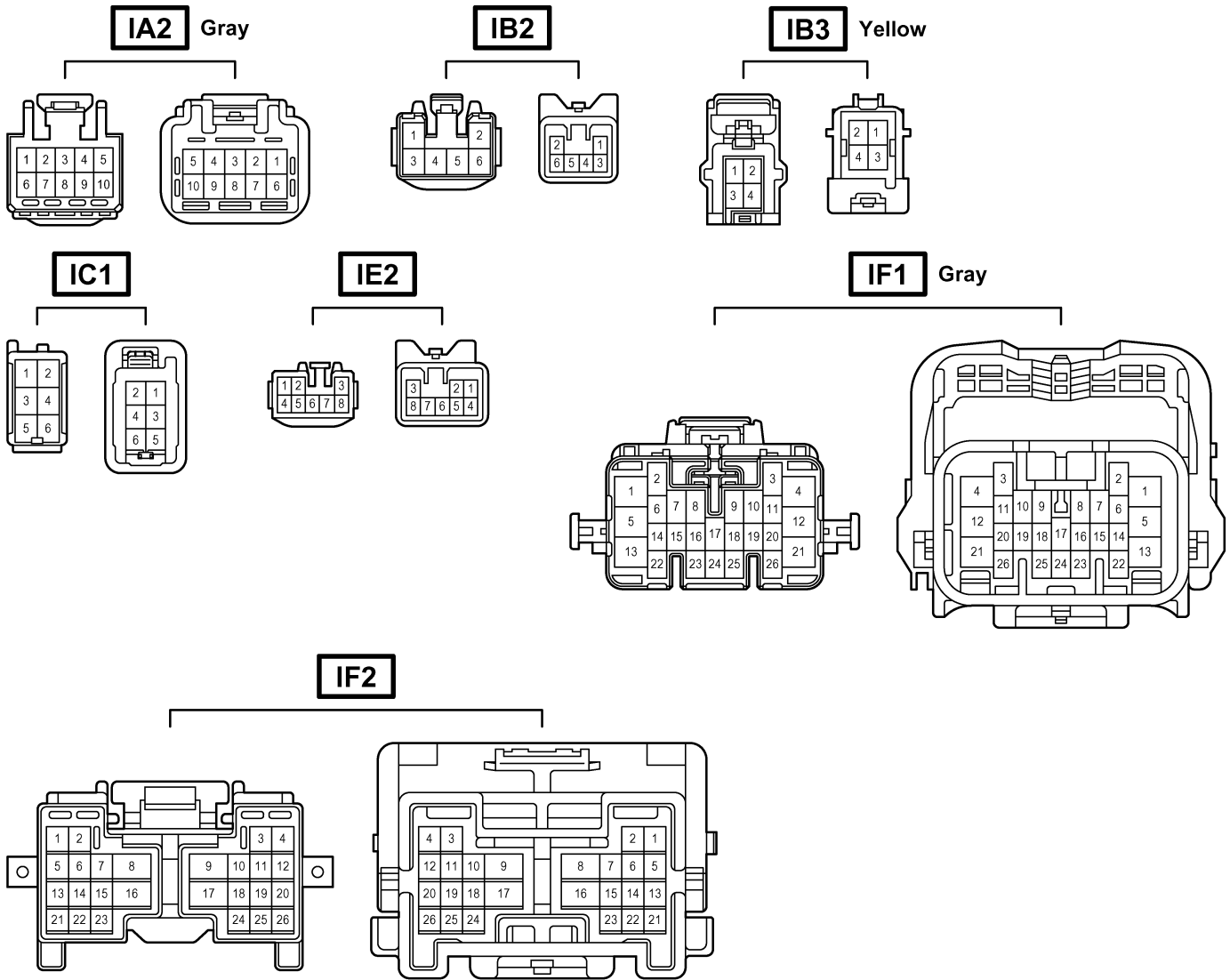


Connector Joining Wire Harness and Wire Harness



Code	Joining Wire Harness and Wire Harness (Connector Location)
EB1	Frame No.3 Wire and Engine Room Main Wire (Right Side of the No.3 Crossmember)
EC2	Engine No.2 Wire and Engine Room Main Wire (Left Side of the No.3 Crossmember)
ED1	Engine Room No.2 Wire and Engine Room Main Wire (Front Crossmember)
EG1	Engine Room Main Wire and Engine Wire (Rear Left Side of the Engine Block)

Connector Joining Wire Harness and Wire Harness



Code	Joining Wire Harness and Wire Harness (Connector Location)
IA2	Front Door LH Wire and Cowl Wire (Cowl Side Panel LH)
IB2	Floor Wire and Cowl Wire (Cowl Side Panel LH)
IB3	Floor Wire and Cowl Wire (Cowl Side Panel LH)
IC1	Cowl Wire and Sensor Wire (Behind the Combination Meter)
IE2	Instrument Panel Wire and Cowl Wire (Instrument Panel Brace RH)
IF1	Engine Room Main Wire and Cowl Wire (Left Side of the Clutch Pedal)
IF2	Engine Room Main Wire and Cowl Wire (Left Side of the Clutch Pedal)

*4 : RHD 15B-FTE, S05C-B, S05C-TA

C 3
(LHD 15B-FTE)



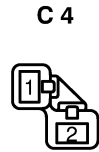
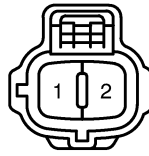
C 3
(*4) Black



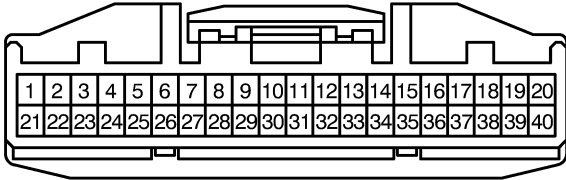
C 3
(S05C-TB) Black



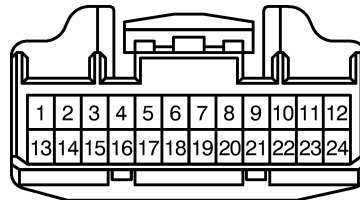
C 3
(W04D-J) Dark Gray



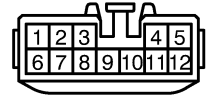
C 5



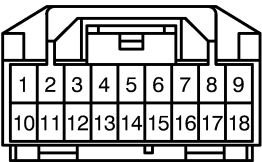
C 6



C 7
Brown



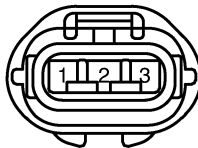
C 8



C 9
Black



C 10
Black



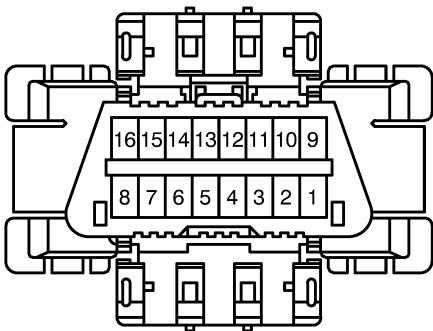
D 1



D 2
Black



D 3



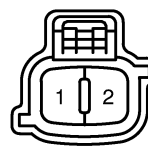
D 5



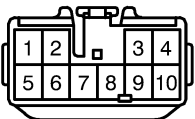
D 6
Gray



D 7
Black



D 8



D 9



D 10
Black



D 11
Orange



D 12
Gray



D 13



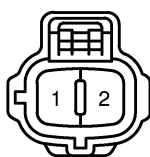
E 1
Dark Gray



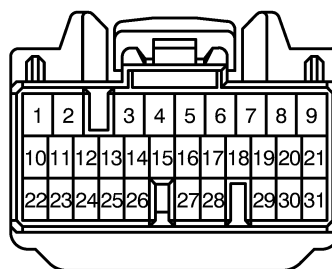
E 2



E 3
Black



E 4



G PART NUMBER OF CONNECTORS

Code	Part Name	Part Number	Code	Part Name	Part Number
A 1	A/C Magnetic Clutch (S05C-B, S05C-TA, W04D-J)	90980-11069	D 1	Diode (A/C No.1)	90980-11608
	A/C Magnetic Clutch (15B-FTE, S05C-TB)	90980-11271	D 2	Diode (Pressure Charge Valve)	90980-10962
A 2	ABS Speed Sensor Front LH	90980-11073	D 3	DLC3	90980-11665
A 3	ABS Speed Sensor Front RH		D 5	Door Courtesy SW (Driver's Side)	90980-10871
A 4	Accel Position Sensor	90980-11930	D 6	Door Lock Control SW	90980-11245
A 6	Alternator (Except W04D-J)	90980-09212	D 7	Door Lock Motor (Passenger's Side)	90980-11019
	Alternator (W04D-J)	90980-09213	D 8	DC/DC Converter	90980-10997
A 7	Alternator	90980-11349	D 9	Diode (A/C No.2)	90980-11608
A 8	A/C Amplifier	90980-10801	D10	Diode (ES Start)	90980-10962
A 9	A/C SW	90980-11280	D11	Diode (Parking Brake)	90980-11071
A10	A/C Thermistor	90980-10825	D12	Diode (Stop)	
A11	Accelerator Pedal Position Sensor	90980-11232	D13	Door Courtesy SW (Passenger's Side)	90980-10871
A13	ABS Actuator	90980-11413	E 1	EFI Water Temp. Sensor	90980-11451
A14	ABS Actuator	90980-11698		Water Temp. Sender	
A15	ABS Speed Sensor Rear LH (Except GVWR 5.5t)	90980-11073	E 2	Engine Oil Level Warning SW	90980-10532
	ABS Speed Sensor Rear LH (GVWR 5.5t)	90980-11773	E 3	Exhaust Brake Solenoid	90980-10923
A16	ABS Speed Sensor Rear RH (Except GVWR 5.5t)	90980-11073	E 4	Engine ECU	90980-11421
	ABS Speed Sensor Rear RH (GVWR 5.5t)	90980-11773	E 5	Engine ECU	90980-11476
A17	Airbag Sensor Assembly	90980-11872	E 6	Engine ECU	90980-11637
A18	Airbag Sensor Front	90980-11856	E 7	Engine ECU	90980-11638
A19	Airbag Squib (Steering Wheel Pad)	90980-11884	E 8	Exhaust Brake Accelerator Pedal SW	90980-10825
B 1	Back-Up Light SW	90980-11250	E 9	Exhaust Brake Clutch SW	90980-10935
B 2	Brake Vacuum Warning SW	90980-11252	E10	EDU	90980-11024
B 3	Blower Motor	90980-10214	E11	EFI Water Temp. Sensor	90980-11062
B 4	Blower Resistor	90980-10171	E12	Engine Speed Sensor	90980-11250
B 5	Brake Fluid Level Warning SW	90980-10214	E13	ES Start Main SW	90980-10908
B 6	Brake Vacuum Warning Buzzer	90980-10825	E14	ES Start Timing SW	90980-10801
B 7	Buckle SW (Driver's Side)	90980-11212	E15	ES Start ECU	90980-11424
B 8	Brake Lock Valve	90980-10941	E16	ES Start ECU	90980-11390
C 1	Camshaft Position Sensor	90980-10598	F 1	Front Clearance Light LH	90980-11020
C 2	Condenser Fan Motor and Resistor	90980-10841	F 2	Front Clearance Light RH	
C 3	Crankshaft Position Sensor (LHD 15B-FTE)	90980-11162	F 3	Front Fog Light LH	90980-11019
	Crankshaft Position Sensor (RHD 15B-FTE, S05C-B, S05C-TA)		F 4	Front Fog Light RH	
	Crankshaft Position Sensor (S05C-TB)	90980-10598	F 5	Front Turn Signal Light LH	90980-11003
	Crankshaft Position Sensor (W04D-J)	90980-10923	F 6	Front Turn Signal Light RH	
C 4	Cigarette Lighter	90980-10760	F 7	Fuel Filter Warning SW (S05C-B, S05C-TA, S05C-TB, W04D-J)	90980-10737
C 5	Combination Meter	90980-12169		Fuel Filter Warning SW (14B, 15B-FTE)	90980-11003
C 6	Combination Meter	90980-12200	F 8	Fuel Pressure Sensor	82580-6630A
C 7	Combination SW	90980-10803	F 9	Fuel Sender	90980-10834
C 8	Combination SW	90980-11913	F10	Fuel Temp. Sensor (S05C-TB)	90980-10737
C 9	Condenser Fan Fuse	90980-10214		Fuel Temp. Sensor (15B-FTE)	90980-11062
C10	Clutch Pedal Stroke Sensor	90980-11349	F11	Flasher Relay	90980-10173
			F12	Front Side Turn Signal Light LH	90980-11019
			F13	Front Side Turn Signal Light RH	

Note: Not all of the above part numbers of the connector are established for the supply.

Glow Plug (S05C-B, W04D-J)

