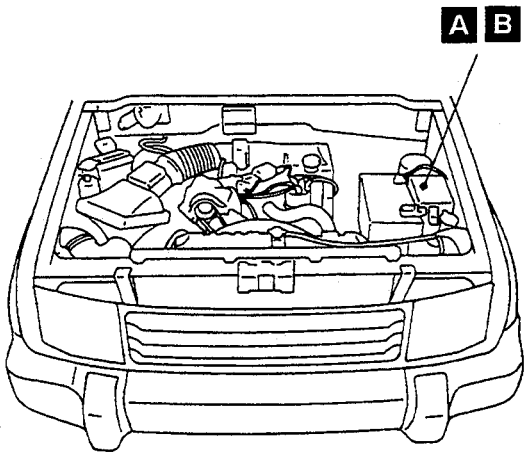


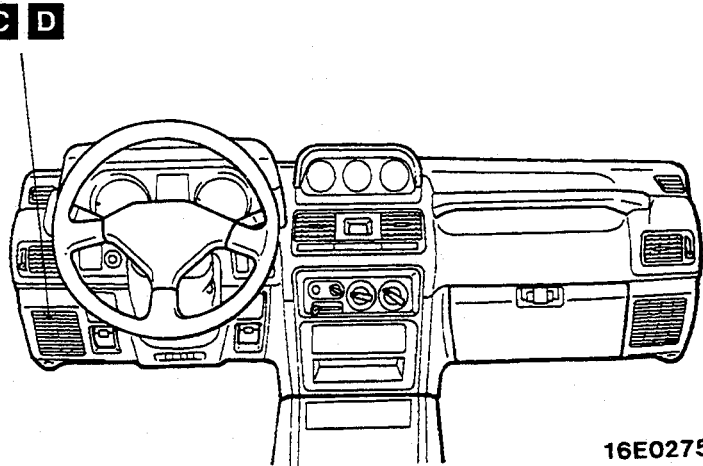
**FUSIBLE LINK, FUSE AND IOD OR STORAGE CONNECTOR LOCATION**

110005871

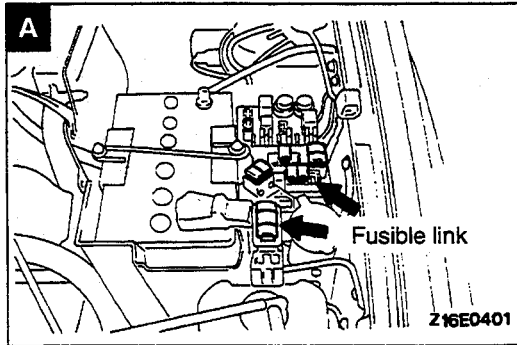
Name	Symbol	Name	Symbol
Dedicated fuse No. 2, 3, 5, 7 and 8	B	IOD or storage connector	B
Dedicated fuse No. 9	D	Multi-purpose fuse	C
Fusible link	A	—	—



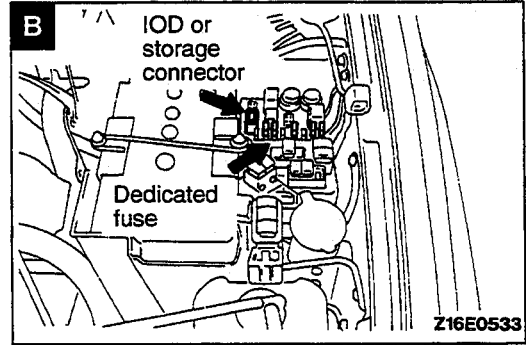
16E0128



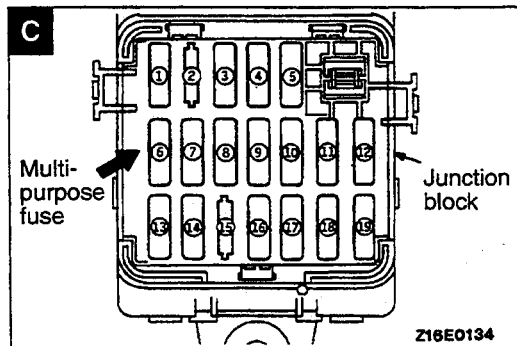
16E0275  
00002510



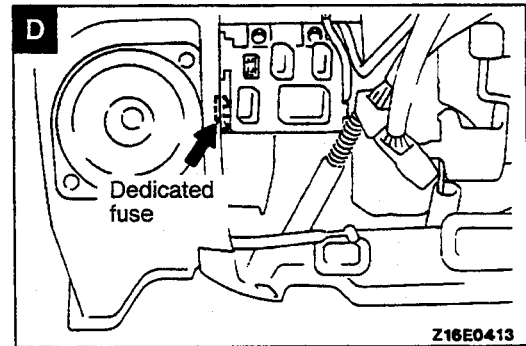
Z16E0401



Z16E0533



Z16E0134



Z16E0413

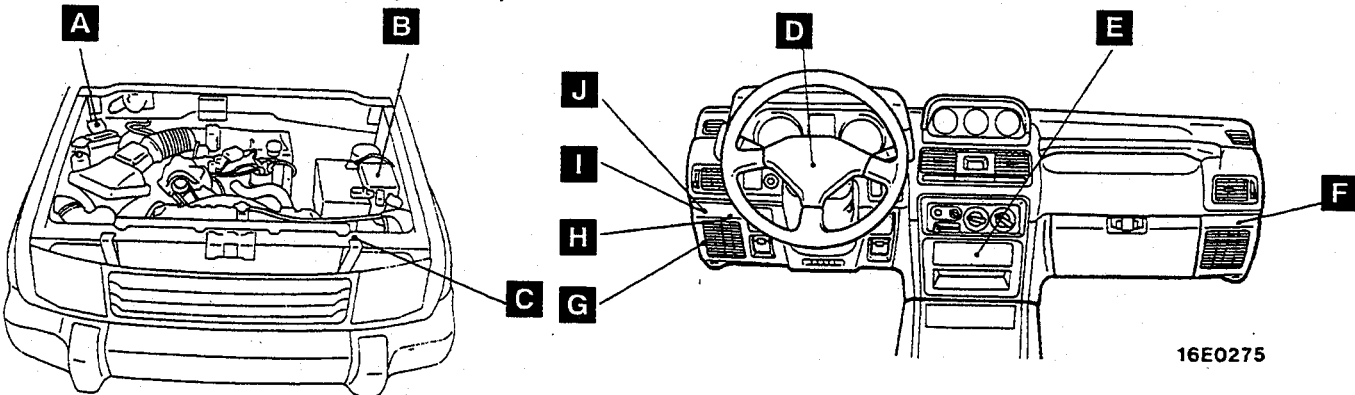
## RELAY LOCATION

110005874

Name	Symbol	Name	Symbol
ABS motor relay	A	Headlight relay	B
ABS power relay* <sup>1</sup>	E	Headlight washer relay	I
ABS relay box (with built-in motor relay and valve relay) * <sup>3</sup>	A	Horn relay * <sup>2</sup>	C
ABS valve relay	A	Ignition key hole illumination light timer * <sup>2</sup>	E
A/C compressor relay	B	Intermittent wiper relay (windshield wiper)	D
Accessory socket relay	G	Intermittent wiper relay (rear wiper)	H
Blower motor relay	G	Overdrive relay	H
Condenser fan motor relay	B	Power seat relay box * <sup>2</sup>	K
Defogger relay	I	Power window relay	H
Defogger timer	J	Starter relay	E
Door lock relay	H	Tail light relay	B
Engine control relay	F	Turn and hazard flasher unit	H
Generator relay	B	—	—

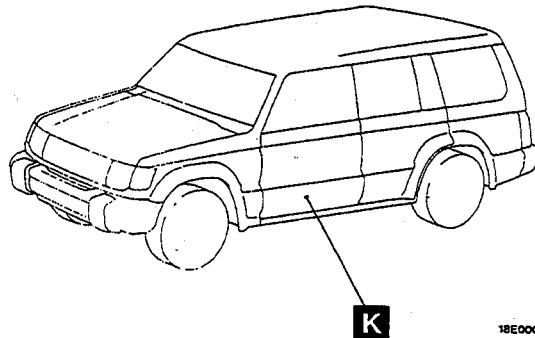
## NOTE

- (1) \*<sup>1</sup>: Up to 1993 models
- (2) \*<sup>2</sup>: 1994 models and after
- (3) \*<sup>3</sup>: 1995 models and after
- (4) The "Name" column is arranged in alphabetical order.



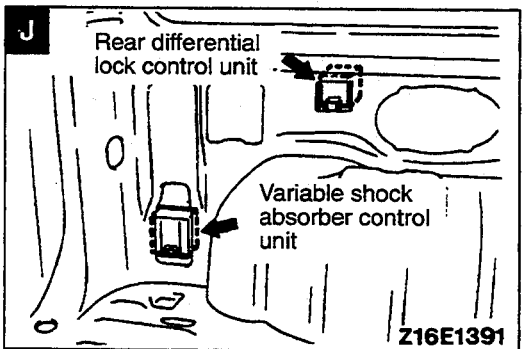
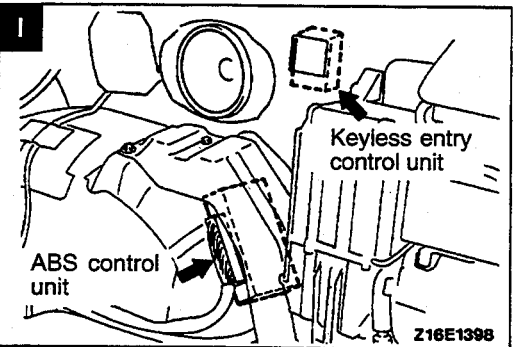
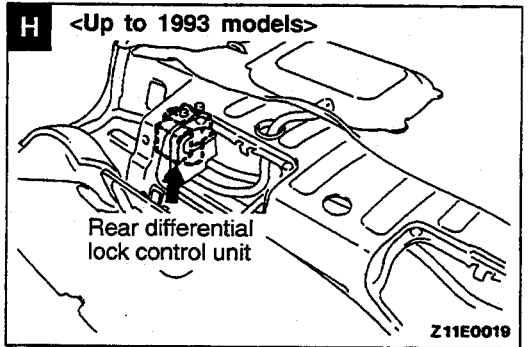
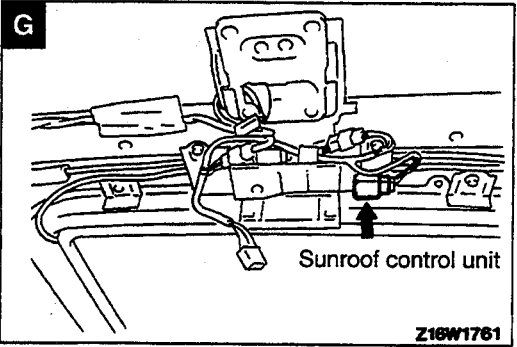
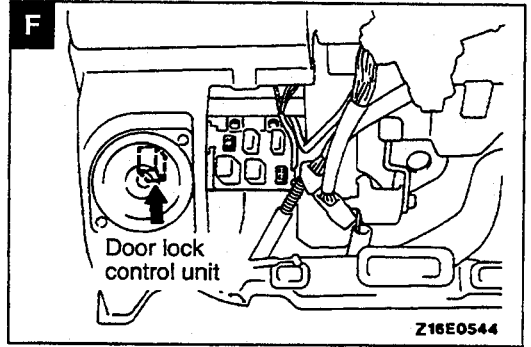
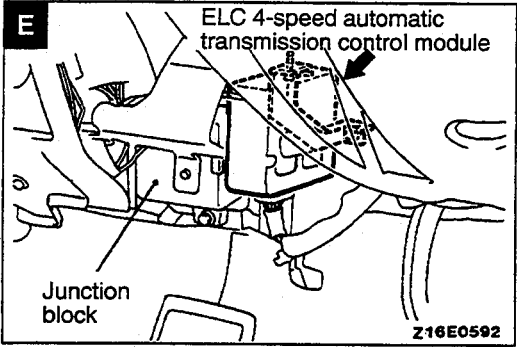
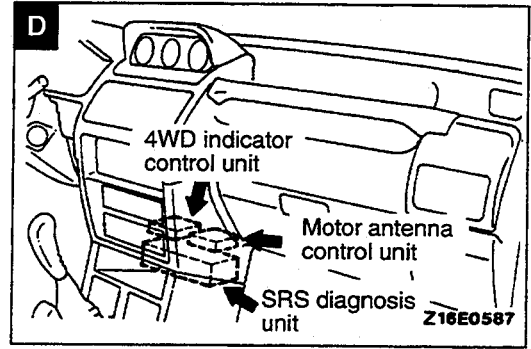
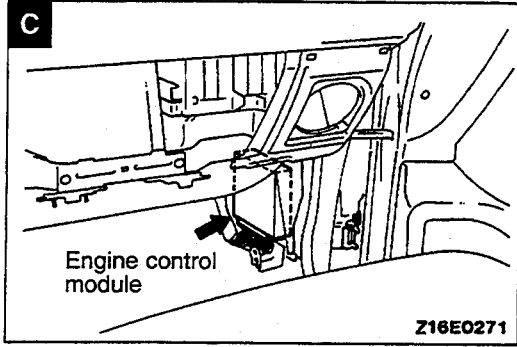
16E0128

16E0275



18E0003

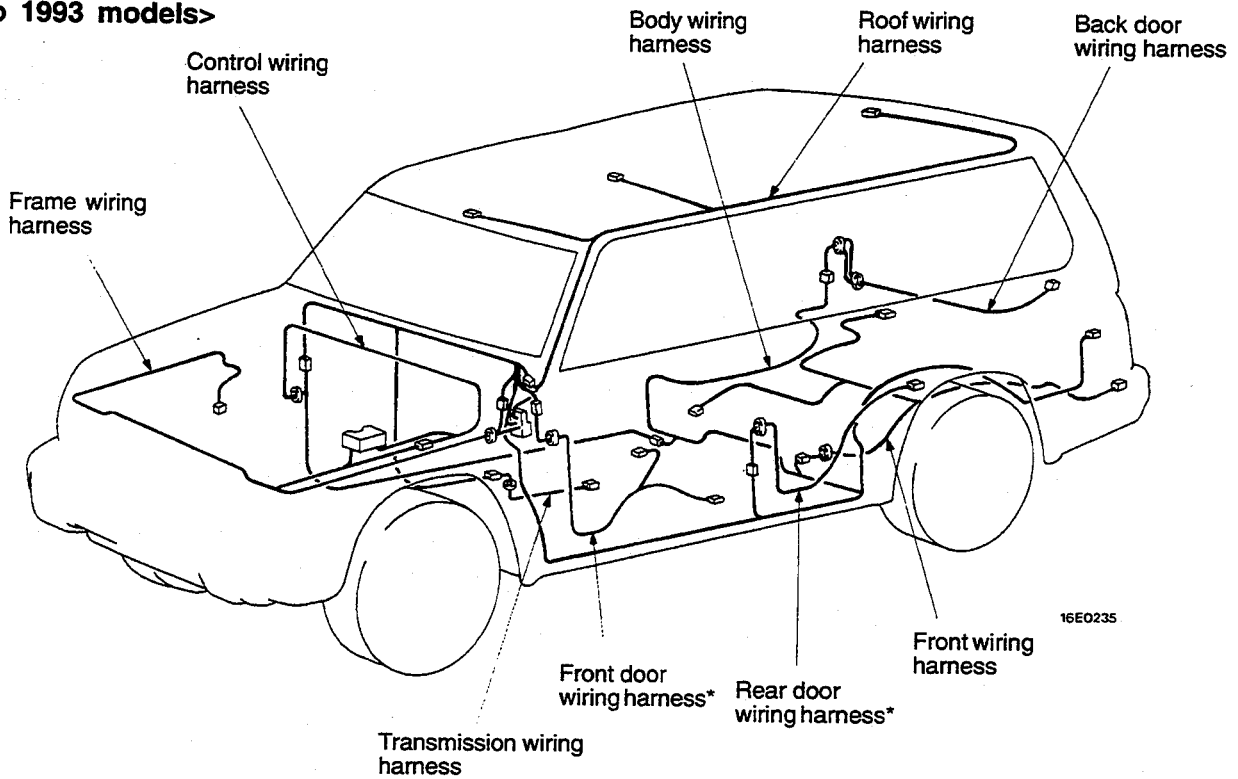
00002513



OVERALL CONFIGURATION DIAGRAM

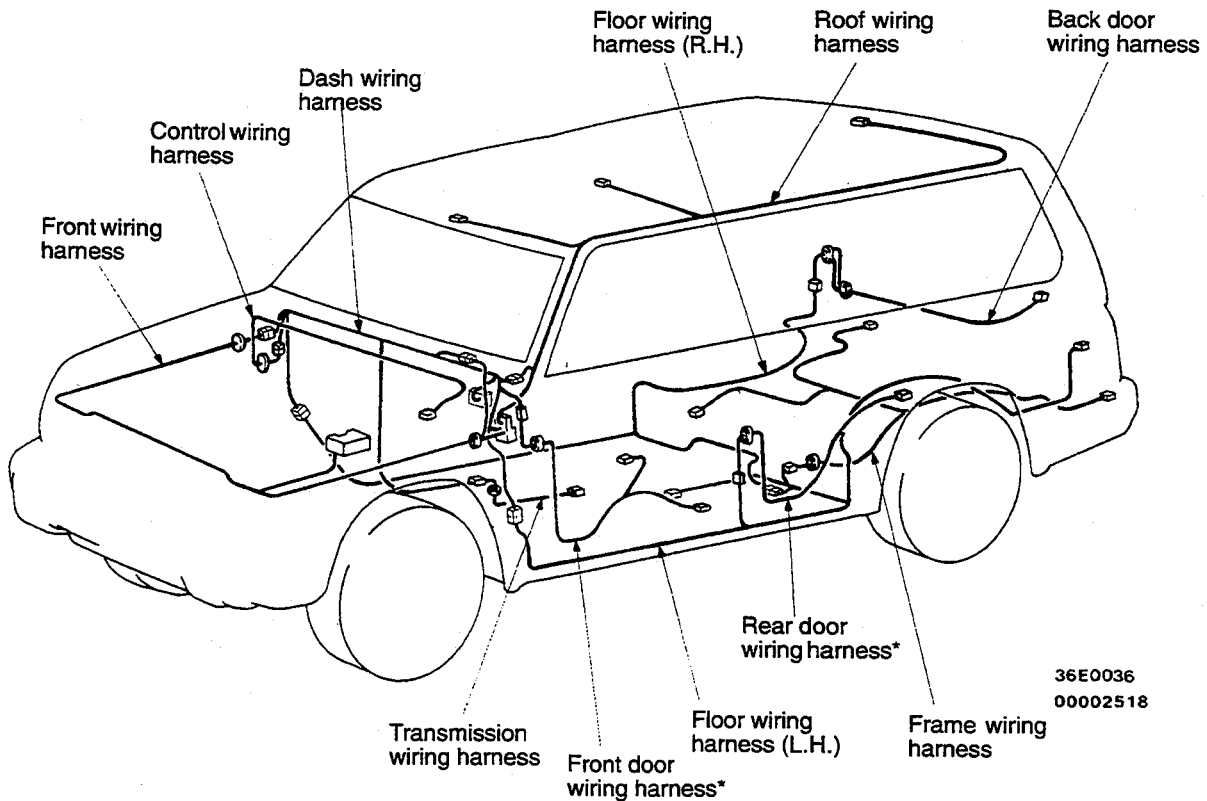
110005892

<Up to 1993 models>



<1994 models and after>

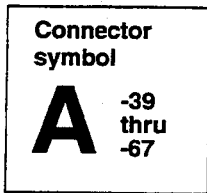
110005893



Remarks

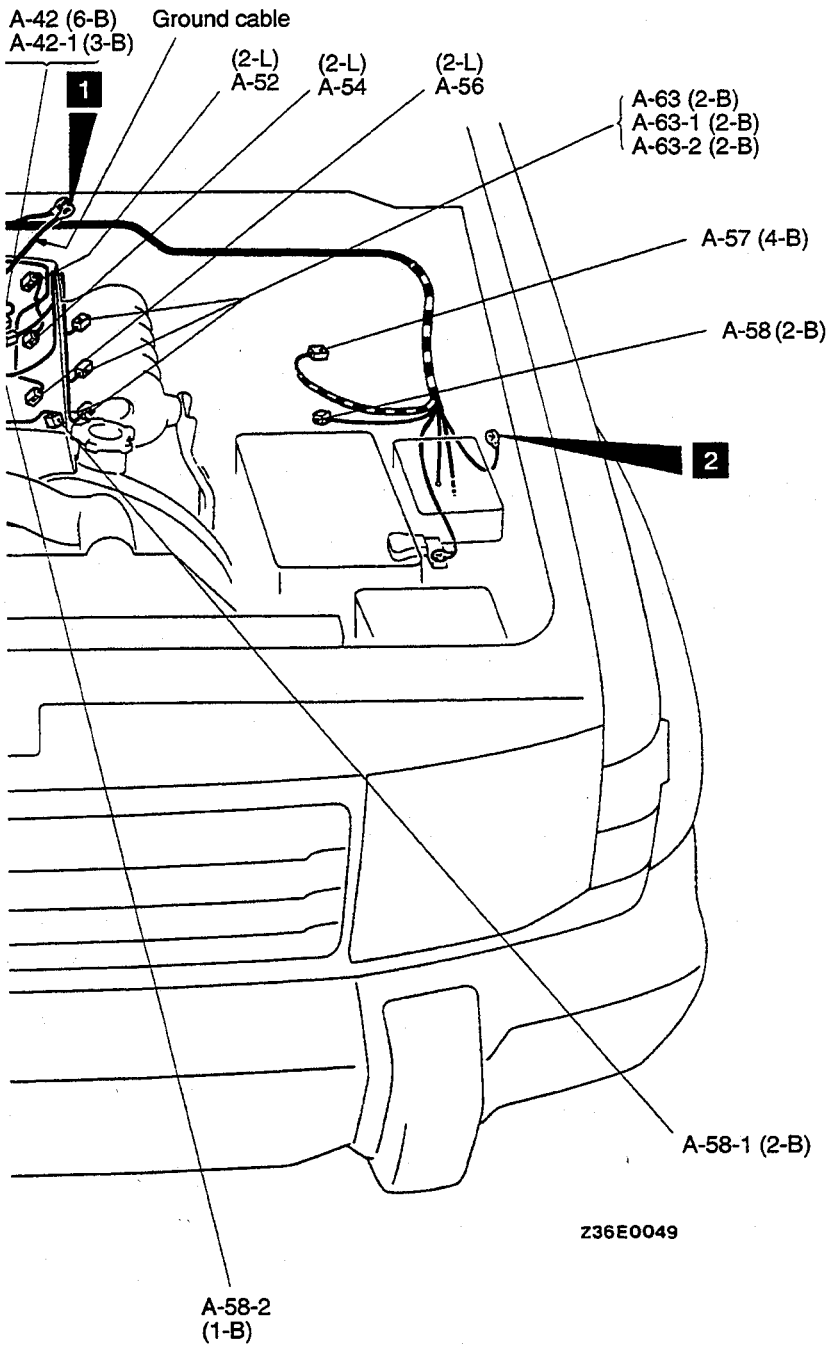
- (1) This diagram shows the main wiring harnesses.
- (2) \*: also equipped at the right side.

ENGINE COMPARTMENT <3.0L engine (1994 models)>



- A-39 Hydraulic unit <ABS>
- A-40 Hydraulic unit <ABS>
- A-41 Volume air flow sensor (with built-in intake air temperature sensor and barometric pressure sensor)
- A-41-1-
- A-42 Ignition power transistor
- A-42-1-
- A-43 Fuel pump check connector
- A-43-1-
- A-44 Ignition timing adjustment connector
- A-44-1-
- A-45 Noise filter
- A-46 Noise filter
- A-47 Idle air control motor
- A-48 Throttle position sensor

- A-49 Control wiring harness and injection wiring harness combination
- A-49-1-
- A-50 Capacitor
- A-51 Injector No. 5
- A-52 Injector No. 6
- A-53 Injector No. 3

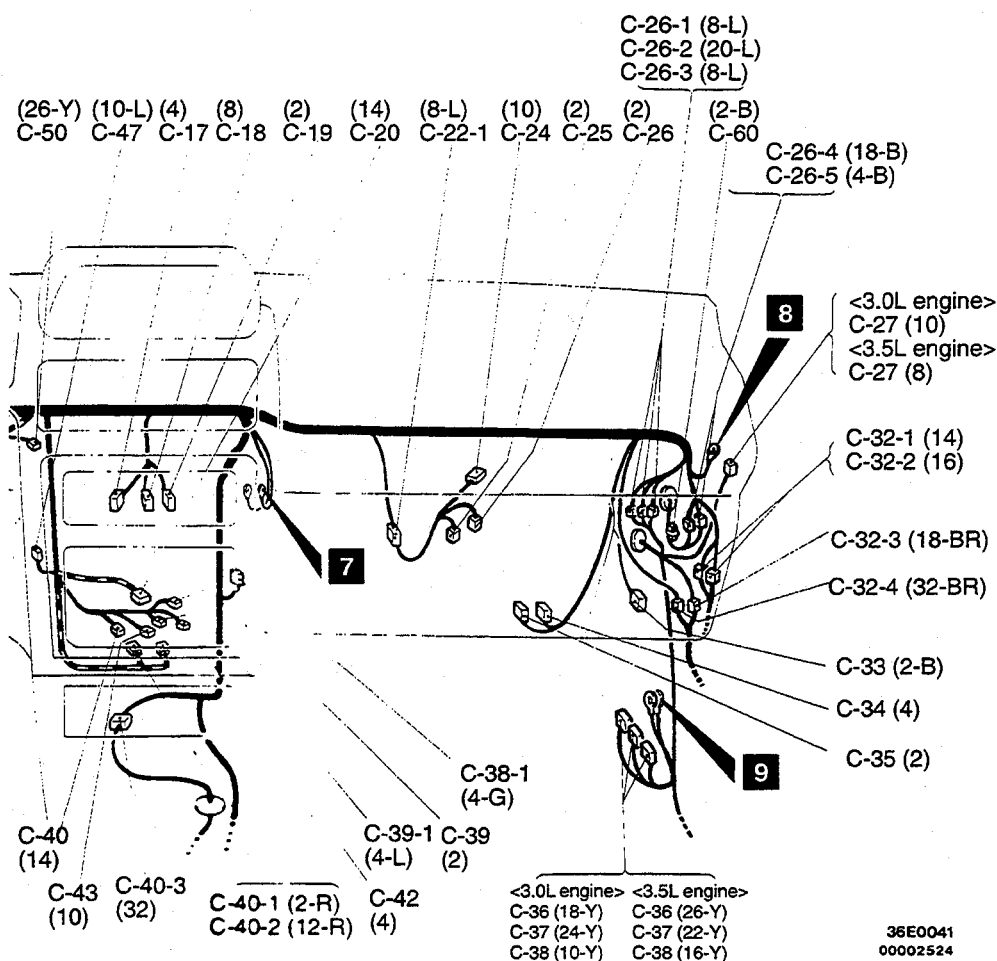


Z36E0049

- A-57 Cruise control actuator
- A-58 Evaporative emission purge solenoid
- A-58-1 Variable induction control solenoid
- A-58-2 Control wiring harness and ignition wiring harness combination
- A-58-3 Crankshaft position sensor
- A-59 Engine coolant temperature gage unit
- A-60 -
- A-61 Engine coolant temperature switch <A/T>
- A-62 Engine coolant temperature sensor
- A-63 Ignition coil
- A-63-1 Ignition coil
- A-63-2 Ignition coil

- A-64 A/C engine coolant temperature switch
- A-64-1 Camshaft position sensor
- A-65 Generator
- A-66 Generator
- A-67 Power steering pressure switch

Remark  
 “-” means that the connector with that code number is not used.

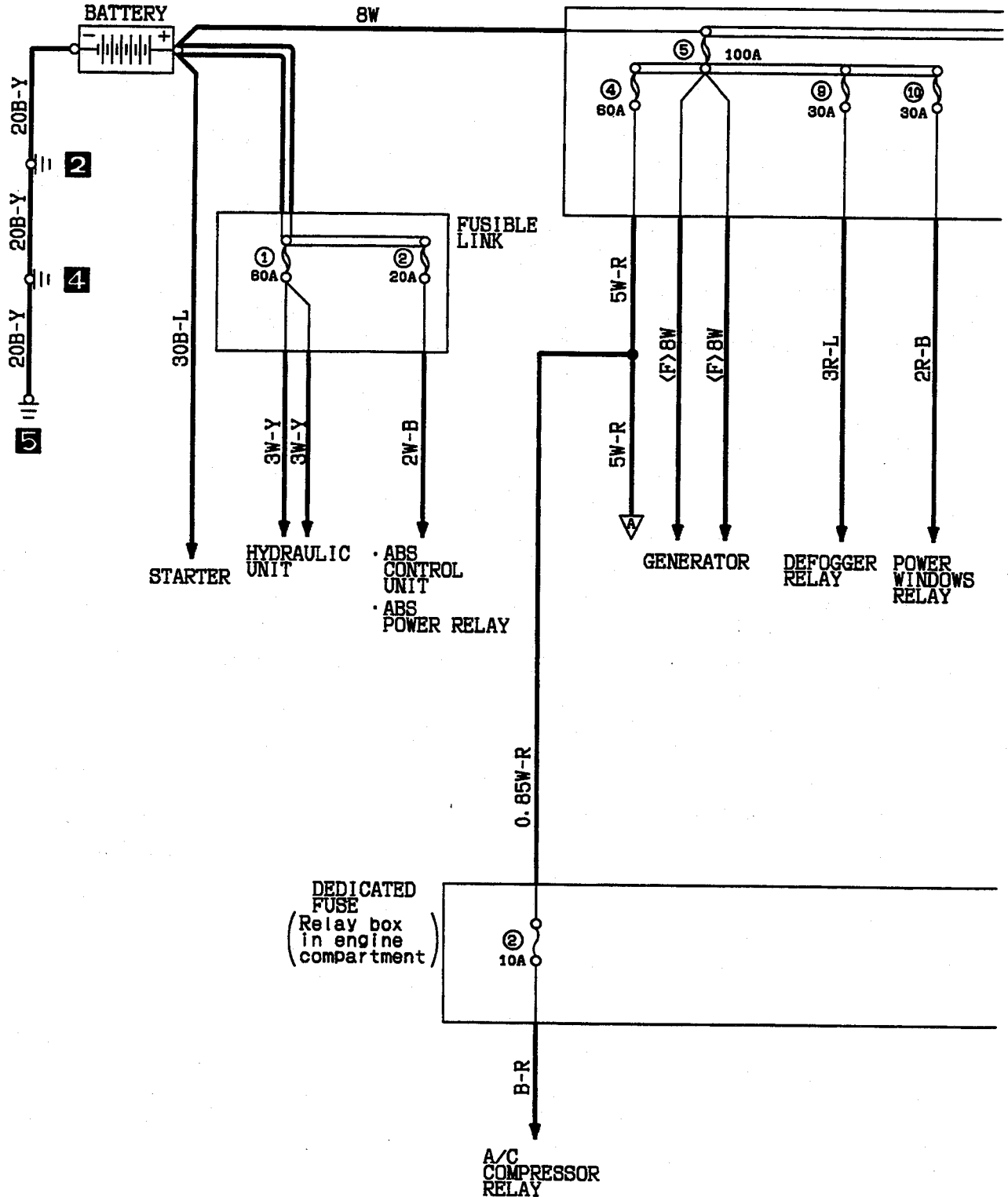


- C-48 –
- C-49 –
- C-50 Cruise control unit or spare connector
- C-51 –
- C-52 Inside temperature sensor <Multi-meter>
- C-53 –
- C-54 Stop light switch (2-pin) or no connection <Cruise control system>
- C-55 Stop light switch (4-pin) <Cruise control system> or no connection
- C-56 Ignition switch
- C-57 Column switch
- C-58 Column switch
- C-58-1 Column switch
- C-59 Key reminder switch
- C-59-1 Clock spring
- C-59-2 Clock spring
- C-60 Diode (for Active Trac 4WD circuit)
- C-61 Clutch pedal position switch <M/T>
- C-62 Clutch pedal position switch <M/T-Cruise control system>
- C-62-1 J/C (1)
- C-62-2 J/C (2)
- C-62-3 J/C (3)
- C-63 Front speaker (L.H.)
- C-64 –
- C-65 –
- C-66 –
- C-66-1 ELC 4-speed automatic transmission control module
- C-66-2 Dash wiring harness and floor wiring harness (L.H.) combination
- C-66-3 Dash wiring harness and floor wiring harness (L.H.) combination
- C-66-4 Dash wiring harness and floor wiring harness (L.H.) combination
- C-66-5 Dash wiring harness and door wiring harness (L.H.) combination
- C-66-6 Dash wiring harness and door wiring harness (L.H.) combination
- C-66-7 Door lock relay jumper connector
- C-67 Headlight washer relay
- C-68 Defogger timer
- C-68-1 Door lock control unit
- C-69 Dedicated fuse No. 9 (Sunroof)
- C-70x Refer to the centralized junction.
- C-71x Refer to the centralized junction.
- C-72x Refer to the centralized junction.
- C-73x Refer to the centralized junction.
- C-74x Refer to the centralized junction.
- C-75x Refer to the centralized junction.
- C-76 –
- C-77 –
- C-77-1 Roof wiring harness and dash wiring harness combination
- C-78 Roof wiring harness and junction block
- C-79 Front wiring harness and junction block
- C-80 Front wiring harness and junction block
- C-81 Front wiring harness and junction block
- C-82 Data link connector
- C-83 Blower motor relay
- C-84 Accessory socket relay
- C-85 –
- C-86 –
- C-87 –
- C-88 –
- C-89 –
- C-90 –
- C-91 –
- C-92 –
- C-93 Dash wiring harness and junction block
- C-94 Dash wiring harness and junction block
- C-95 Dash wiring harness and junction block
- C-96 Dash wiring harness and junction block
- C-97 Dash wiring harness and junction block
- C-98 Dash wiring harness and junction block
- C-99 Data link connector
- C-99-1 –
- C-100 Dash wiring harness and junction block
- C-101 Dash wiring harness and junction block

Remarks  
 “-” means that the connector with that code number is not used.

POWER DISTRIBUTION <Up to 1993 models>

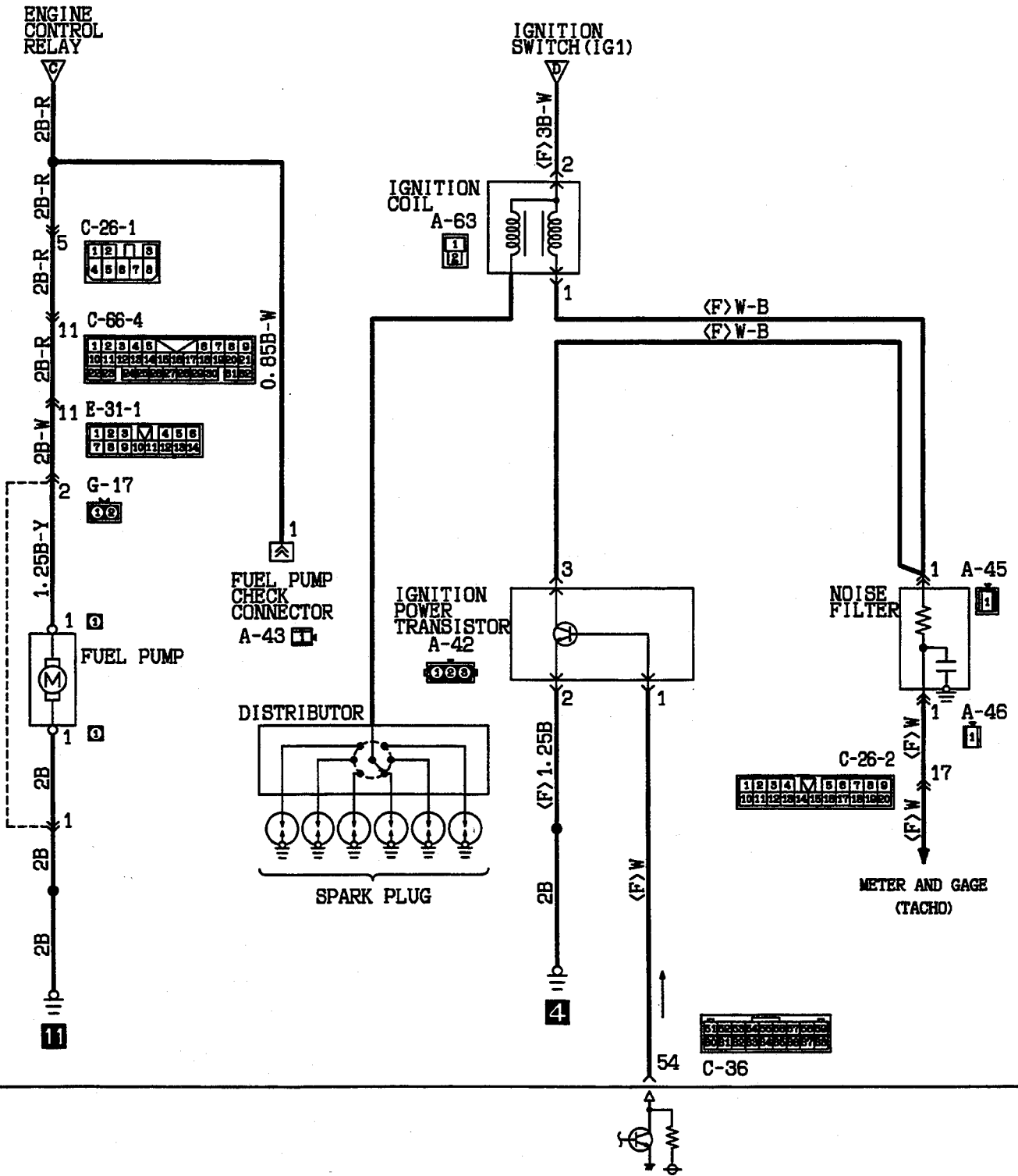
110005922



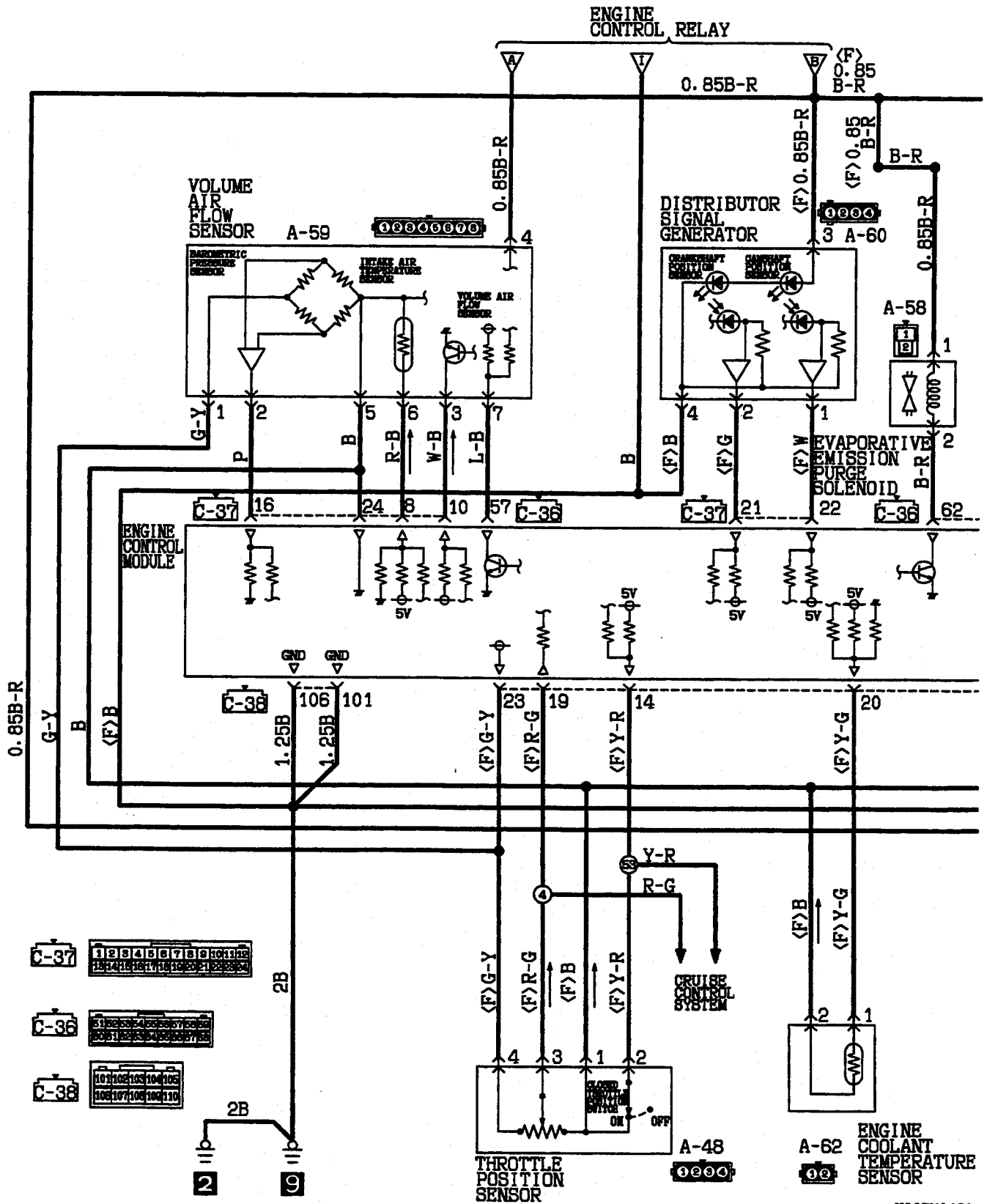
HQ00M00AA

TSB Revision

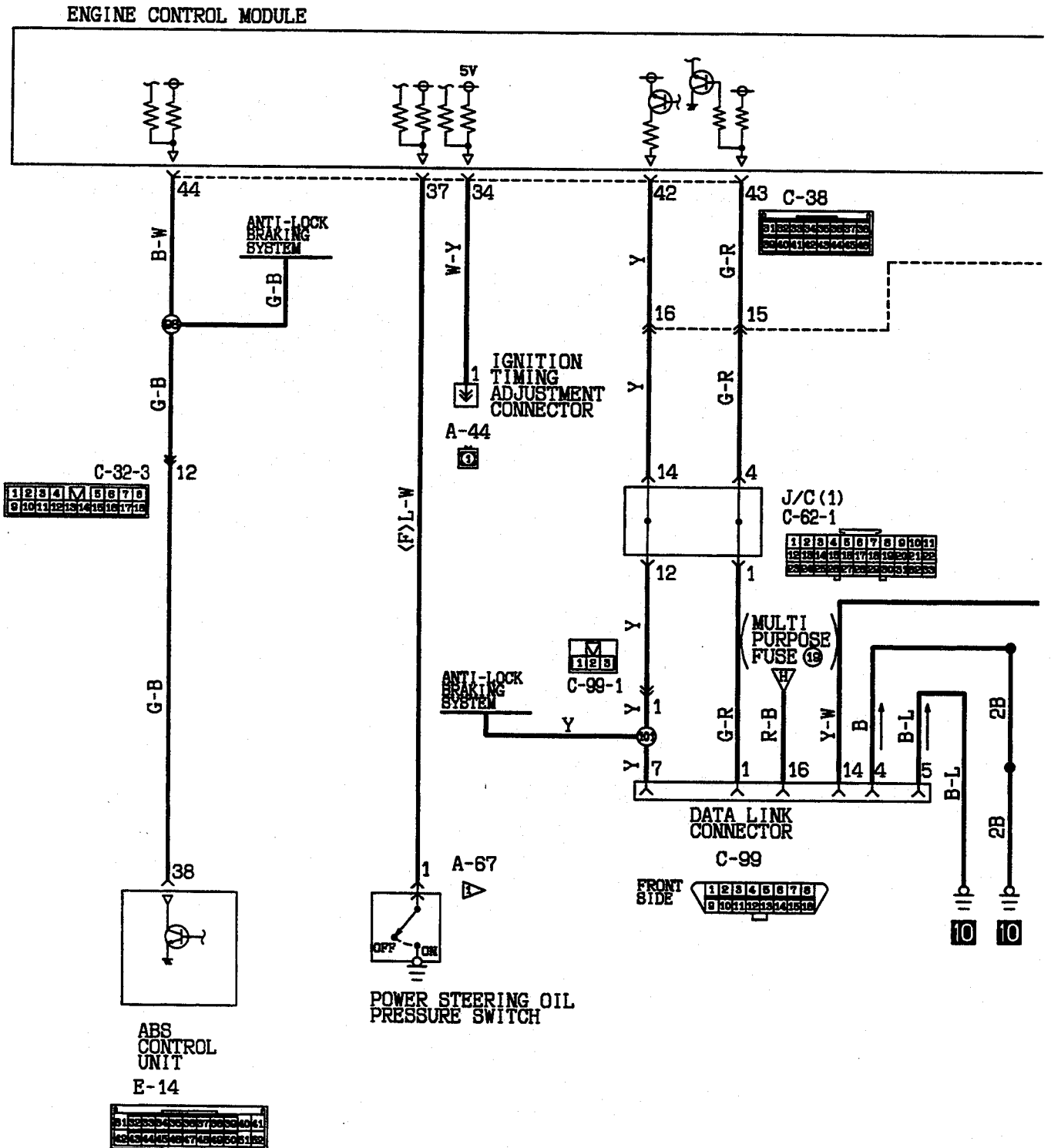




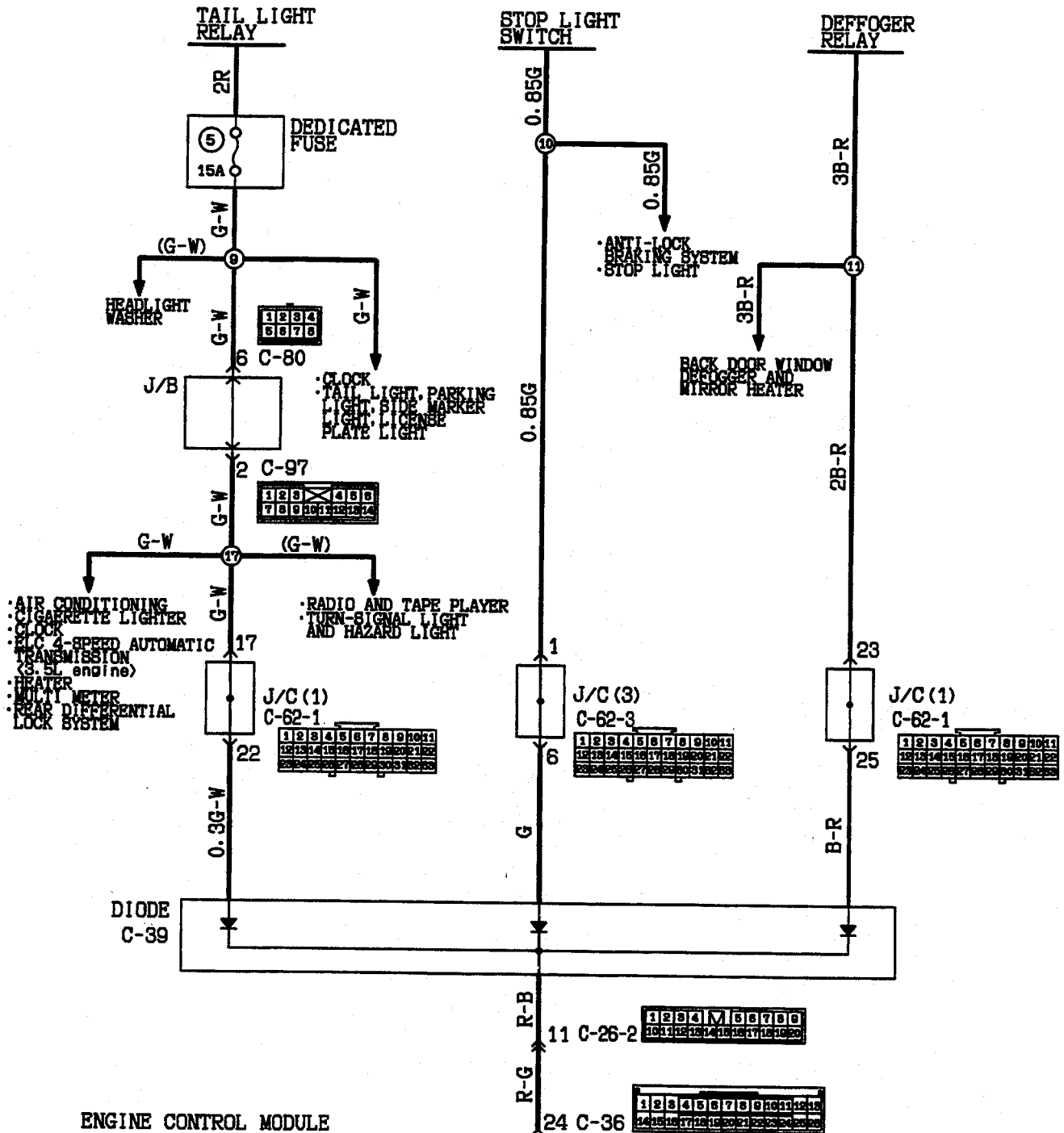
MFI SYSTEM <3.0L-12VALVE engine-A/T (1994 models)>  
(CONTINUED)



MFI SYSTEM <3.0L-24VALVE engine–A/T for Federal> (CONTINUED)



MFI SYSTEM <3.5L engine (1994 models)> (CONTINUED)

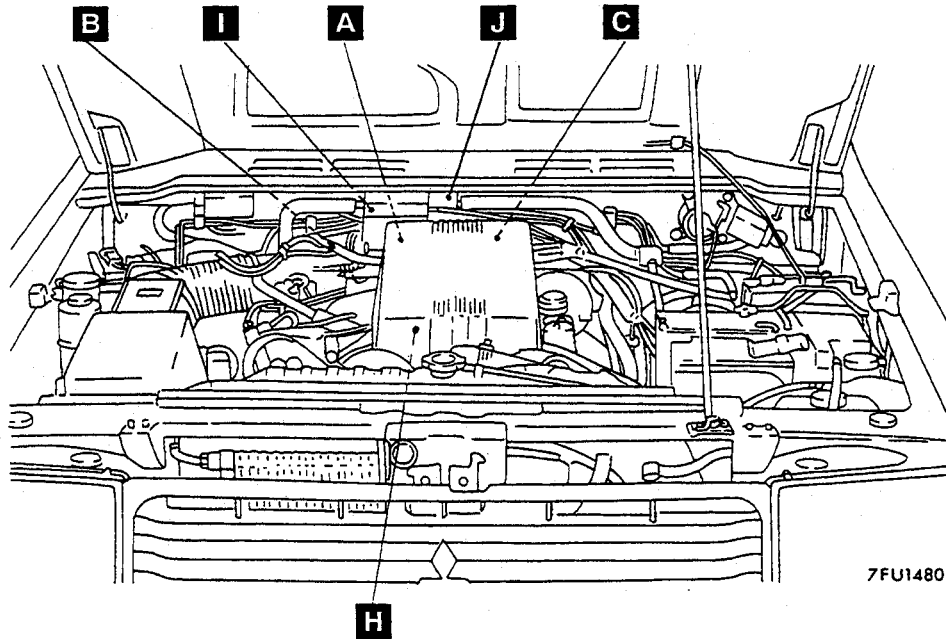


**ELC 4-SPEED AUTOMATIC TRANSMISSION**

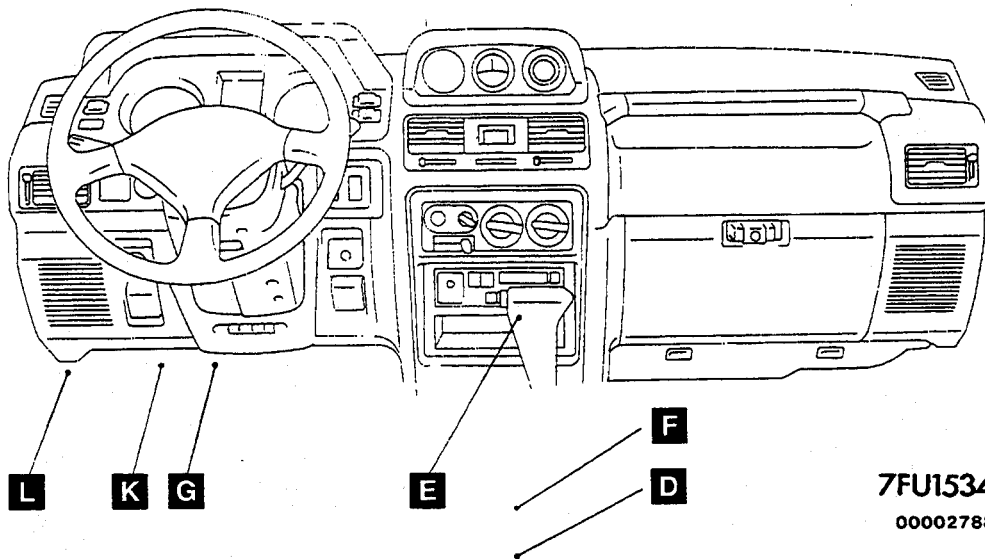
110005942

**COMPONENT LOCATION**

Name	Symbol	Name	Symbol
A/T fluid temperature sensor	I	Park/neutral position switch	B
Data link connector	L	Power/hold changeover switch	F
Each solenoid valve	J	Stop light switch	G
ELC-4A/T control module	K	Throttle position sensor	A
Engine coolant temperature switch	H	Vehicle speed sensor (main)	C
Overdrive switch	E	Vehicle speed sensor (sub)	D



7FU1480

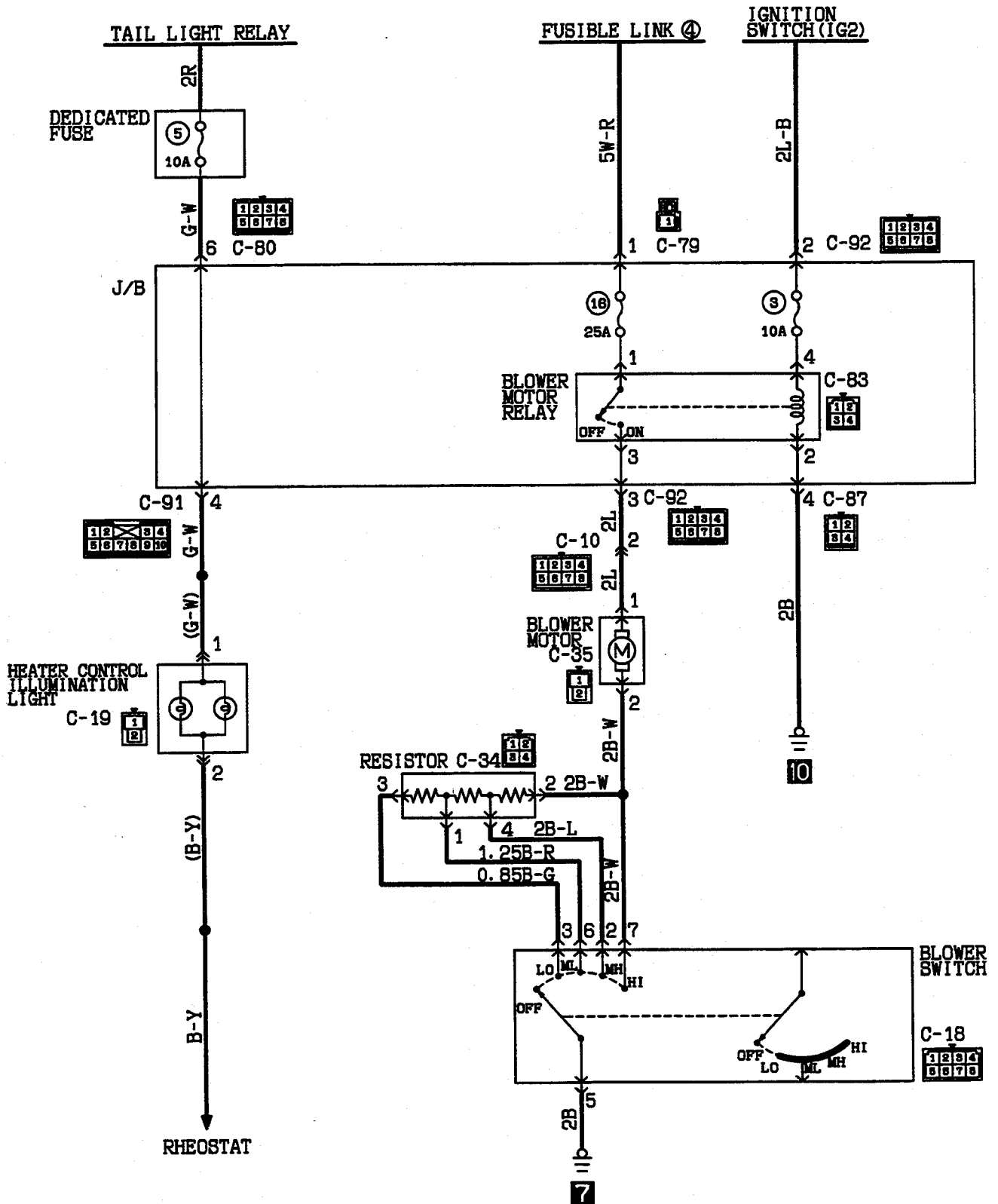


7FU1534

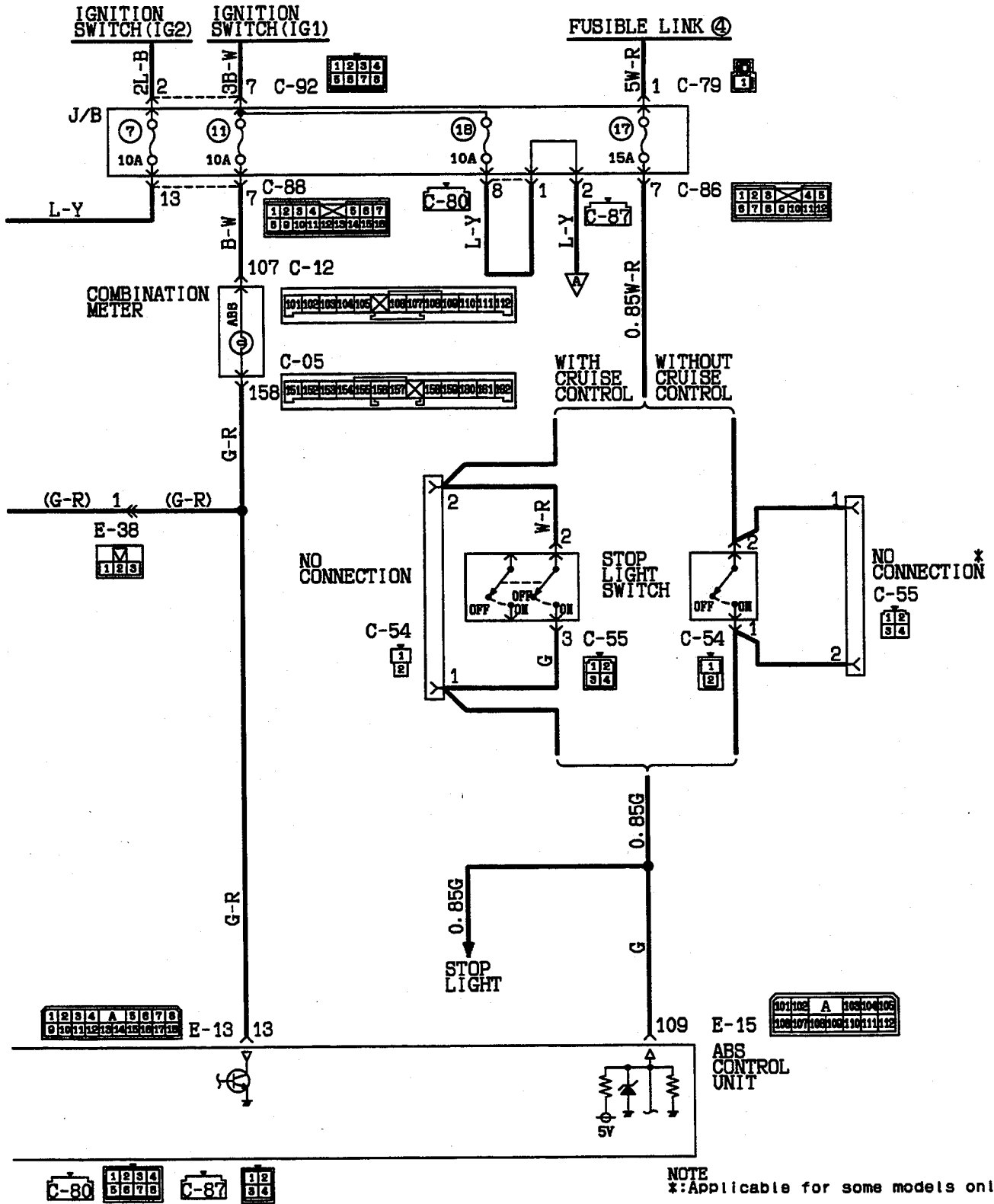
00002788

HEATER <Up to 1993 models>

110005956



TSB Revision



TSB Revision