

Foreword

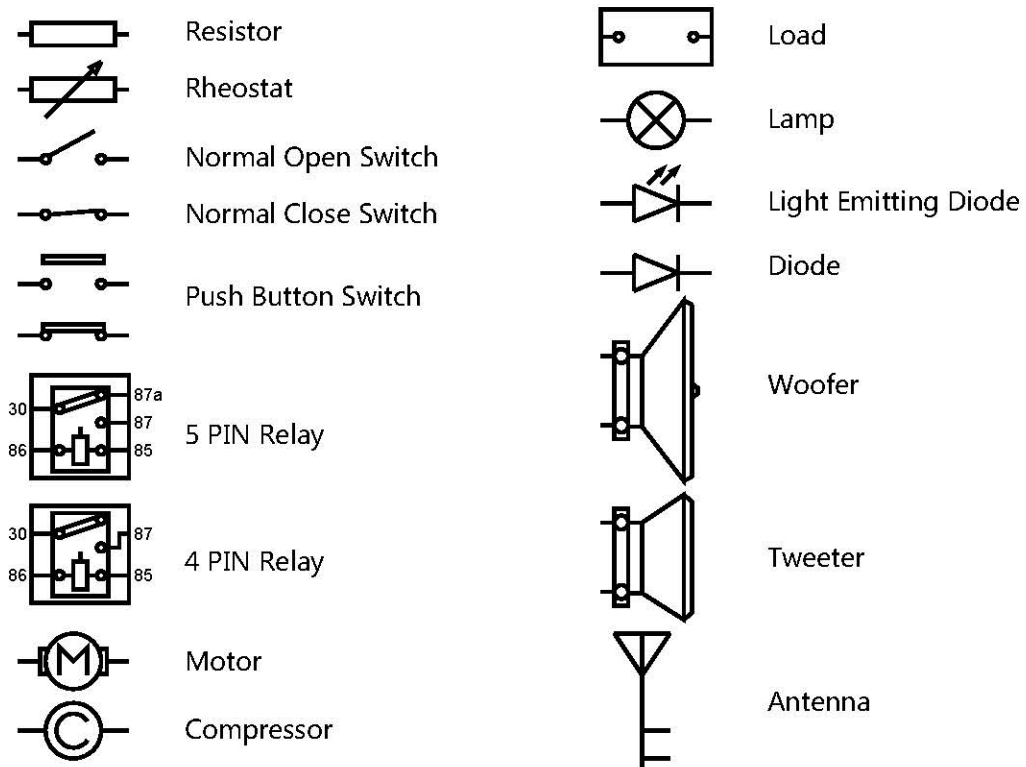
Abbreviation-1

A	Ampere
A/C	Air Conditioning
ABS	Anti-Lock Braking System
ANT	Antenna
ATC	Automatic Temperature Controller
BCM	Body Control Module
BUS	BUS System
CAN	Controller Area Network
CDL	Center Door Lock
CHSML	Center High Stop Mounted Lamp
CFB	Passenger Compartment Fusebox
DI	Direction Indicator Lamp
DRL	Daytime Running Lamp
EACP	Electric Air Conditioning Compressor
EBS	Electrical Battery Sensor
ECU	Electronic Control Unit
EDU	Electrical Drive Unit
EF	Front Compartment Fusebox Fuse
EPB	Electrical Parking Brake
EPS	Electric Power Steering
ESCL	Electronic Steering Column Lock
ESS	Energy Storage System
EVAP	Evaporator
EVP	Electronic Vacuum Pump
F	Fuse
FL	Front Left
FICM	Front Infotainment Control Module
FR	Front Right
GND	Ground
HRW	Rear Windscreen Heating
HS	High Speed
HVIL	High Voltage Interlock Loop

How to Use This Circuit

Component Symbol

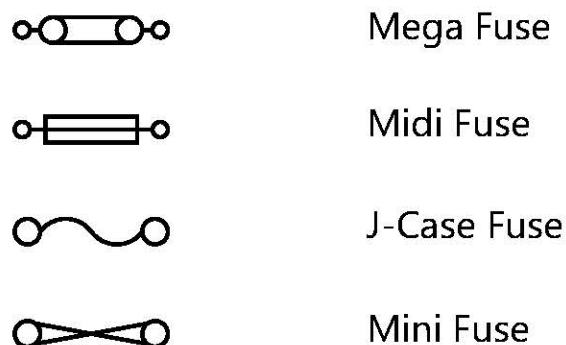
In the below picture, there are normal electrical components referred in this Document.



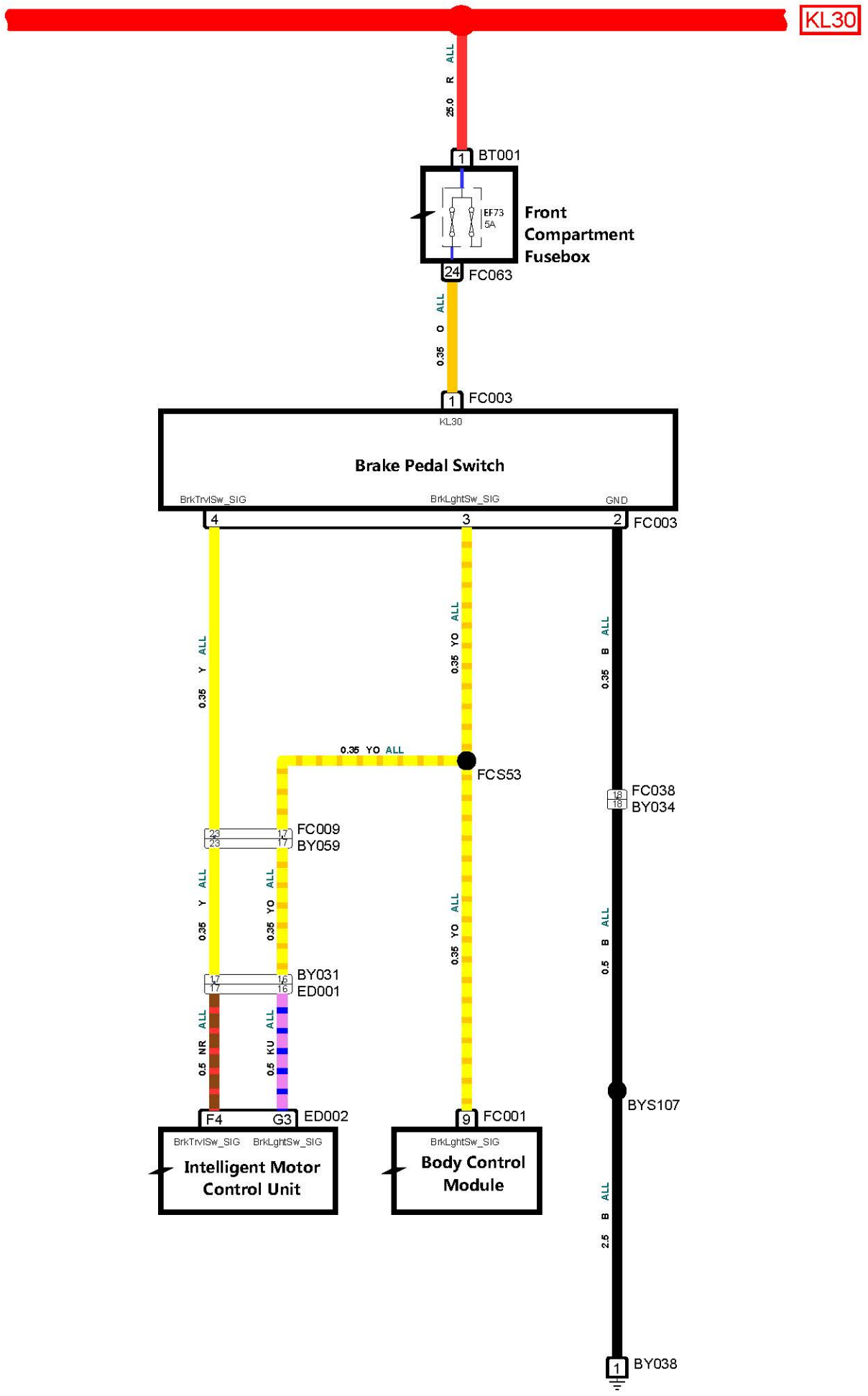
Fuse Symbol

There are many types of fuses.

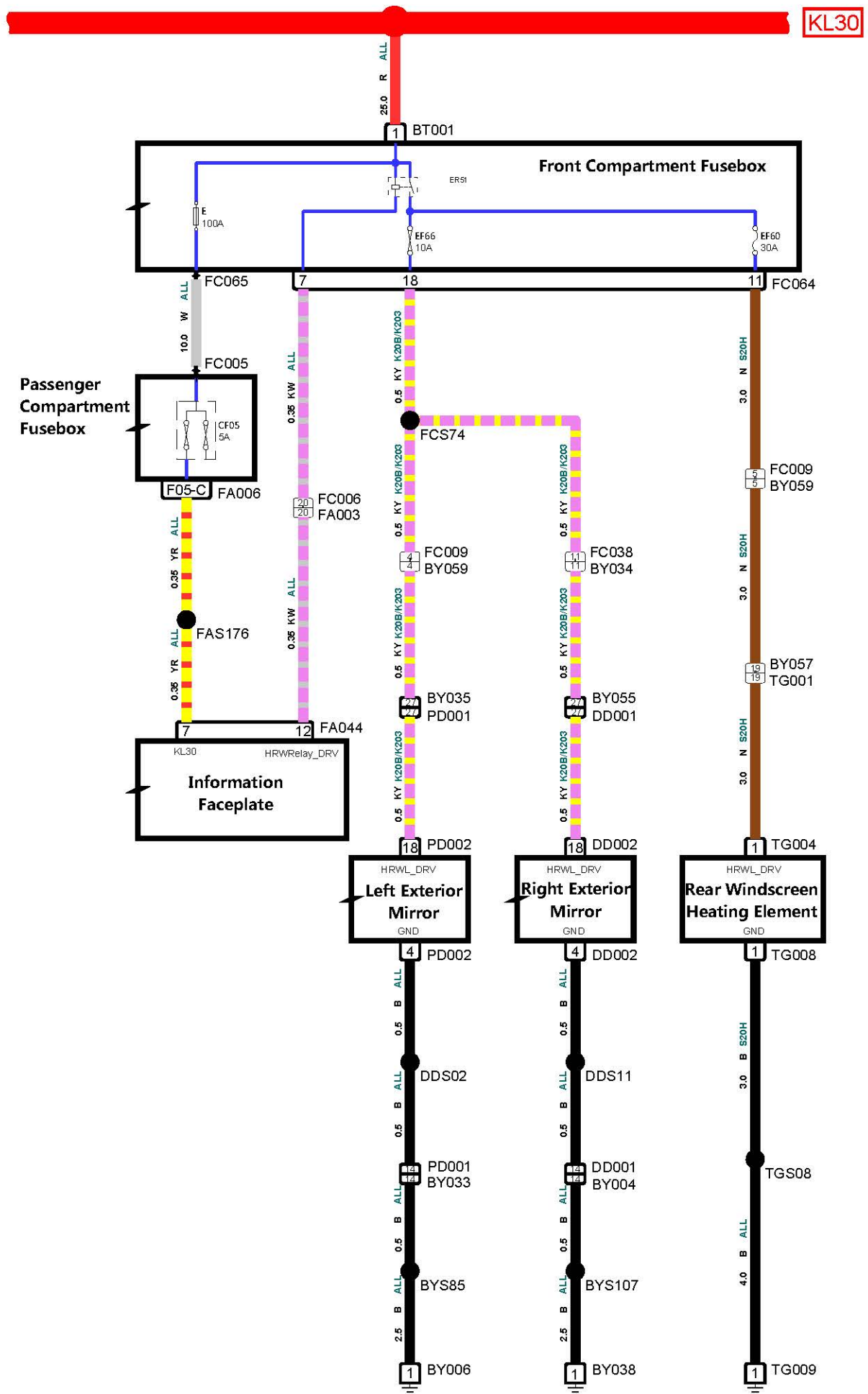
In the below picture, there are normal kinds of fuses and their instructions referred in this Document.



S13-Brake System(1)

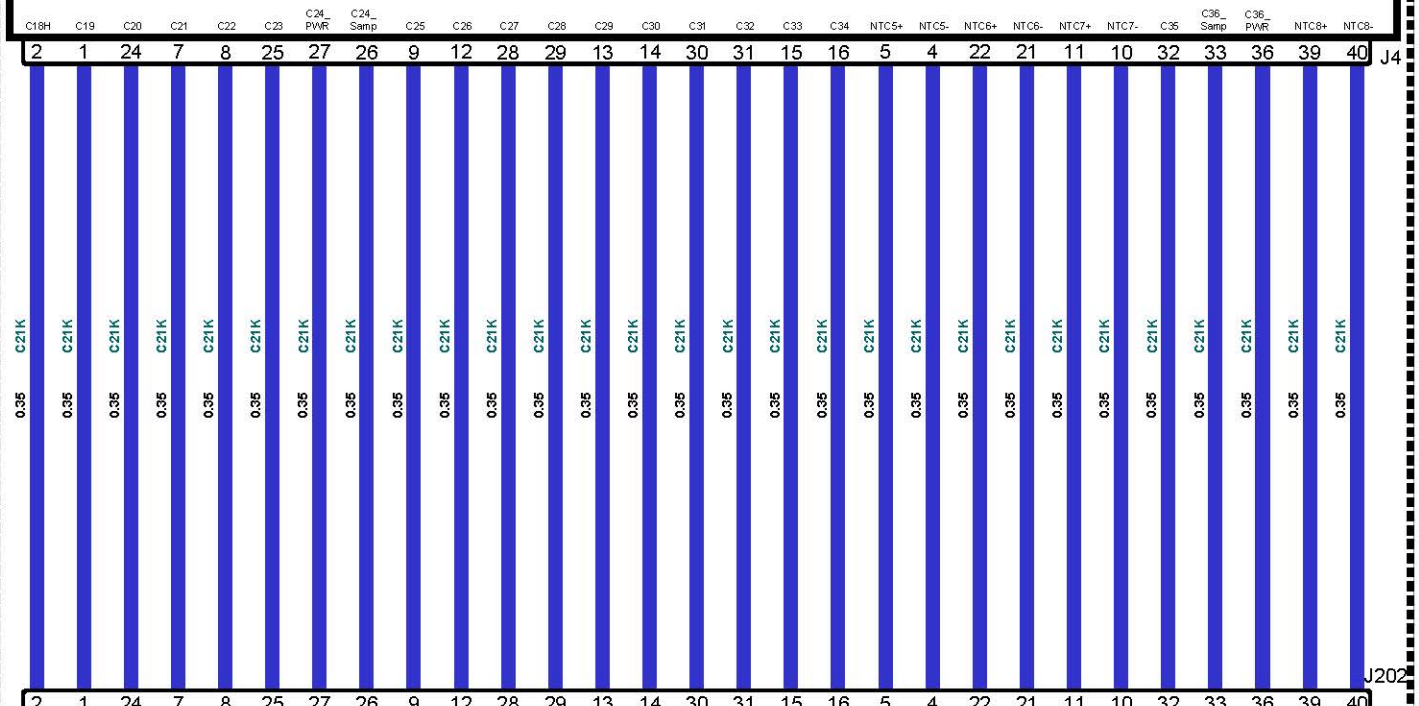


S38-Exterior Mirror Heating & Rear Windscreen Heating

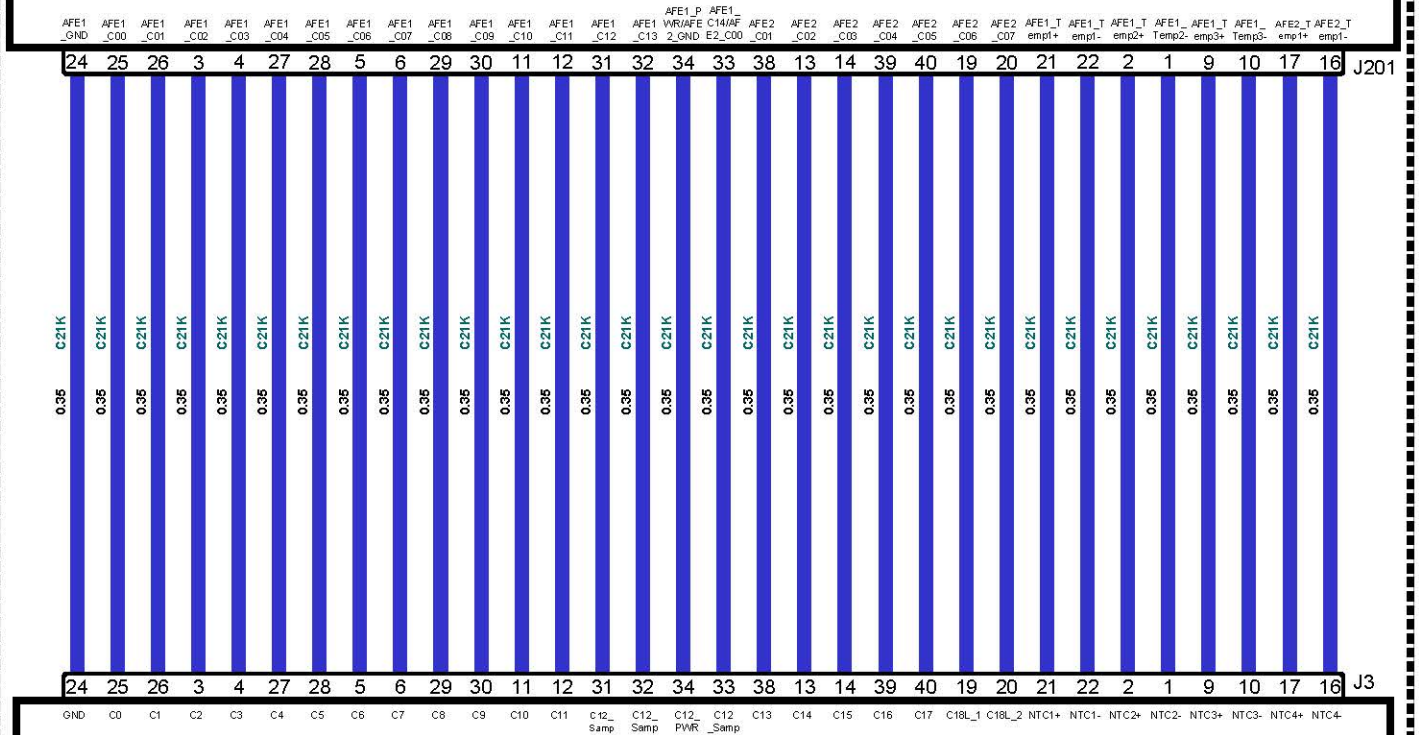


Energy Storage System-LFP 51kwh

Electrical Distribution Module-02



Current Measurement Unit-02

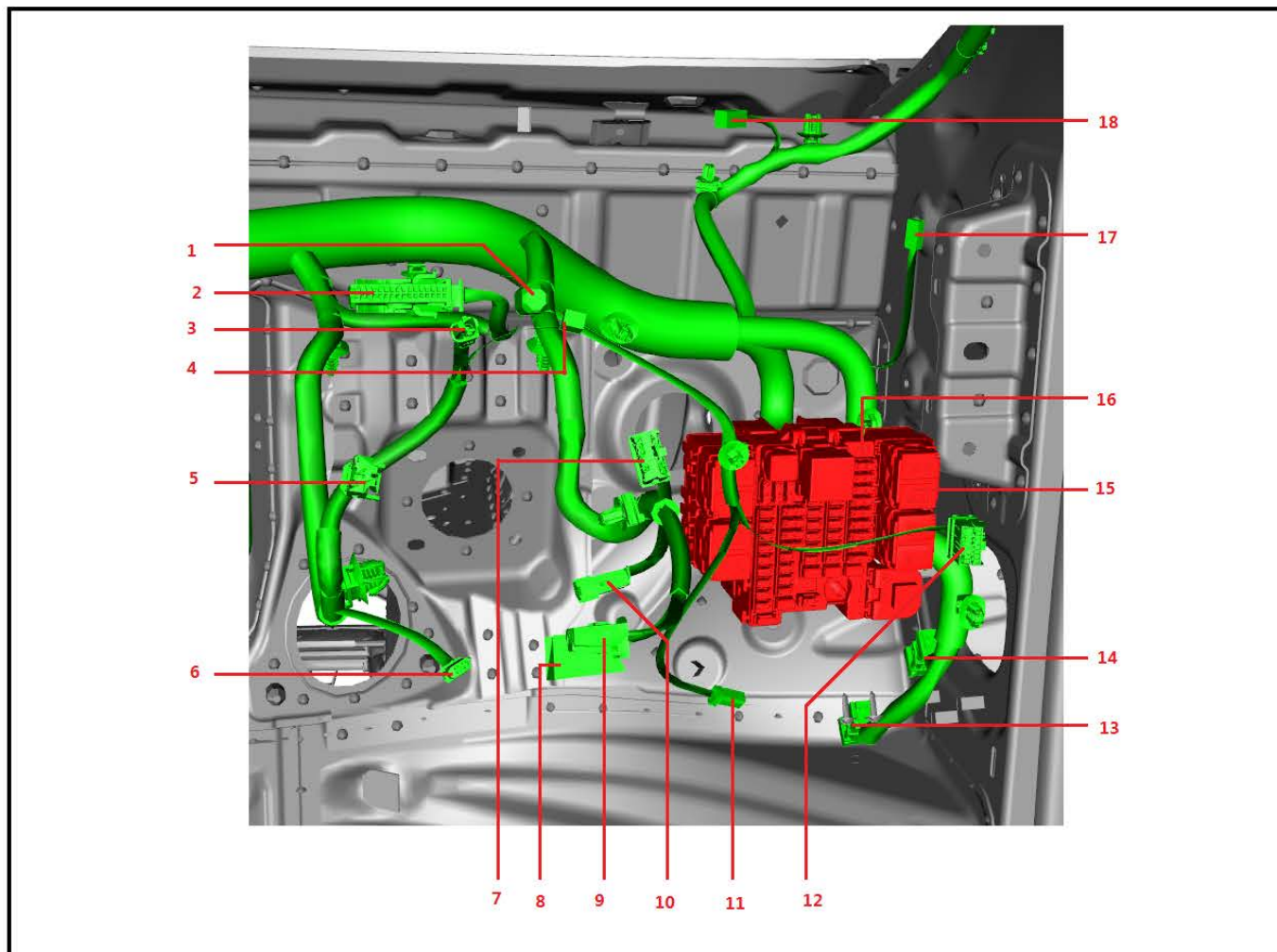


Electrical Distribution Module-02



Connector Location Layout

Facia Harness- Driver Side (2)



15	FA099	Passenger Compartment Fusebox
----	-------	-------------------------------

16	FA006	Passenger Compartment Fusebox
----	-------	-------------------------------

17	FA012	Face Outlet Temperature Sensor
----	-------	--------------------------------

18	FA073	Front Right Tweeter
----	-------	---------------------

--	--	--

--	--	--

--	--	--

--	--	--

--	--	--

--	--	--

--	--	--

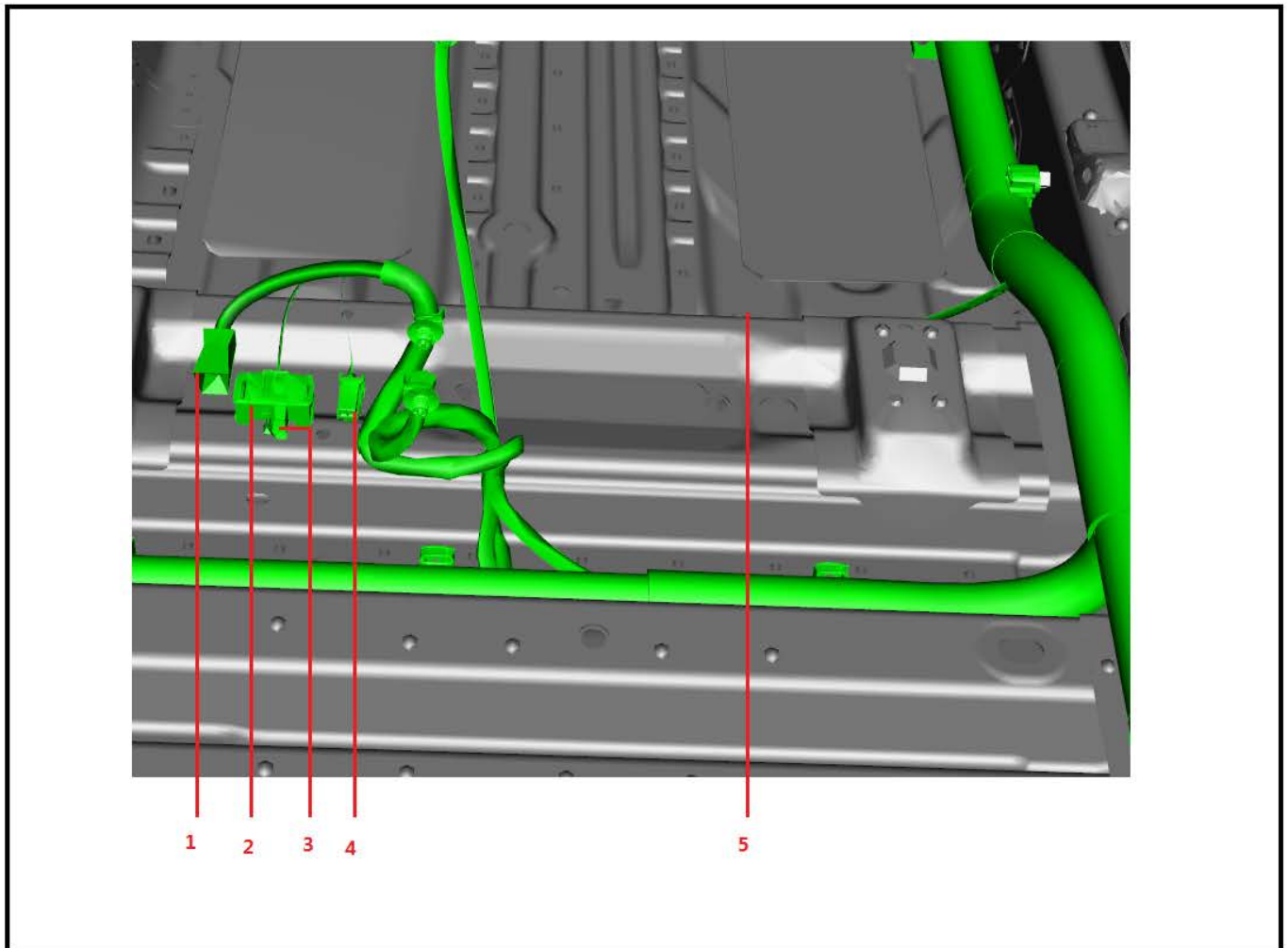
--	--	--

--	--	--

--	--	--

Connector Location Layout

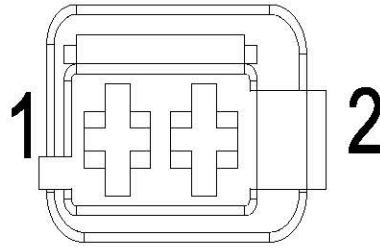
Body Harness-Passenger Side



1	BY072	Driver Seat Side Airbag
3	BY062	Driver Occupancy Sensor
5	BY038 BY085	Ground

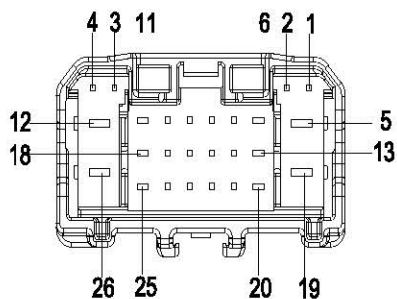
2	BY061	Inline-Body Harness to Driver Seat Harness
4	BY063	Driver Seatbelt Buckle Switch

Name BY013
Description Rear Left Seatbelt Buckle Switch
Colour Black



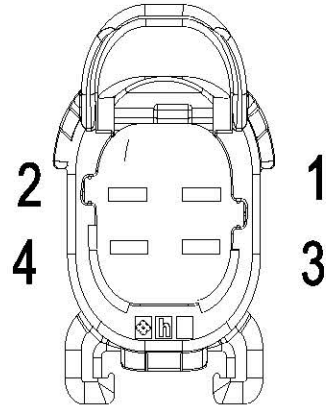
Cavity	Wire Cross Sectional Area	Wire Colour	Wire Option
1	0.35	Black / White	Q20S
2	0.35	Black	Q20S

Name BY034
 Description Inline-Body Harness to Front Compartment
 Harness
 Colour White



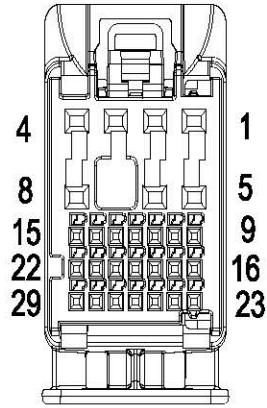
Cavity	Wire Cross Sectional Area	Wire Colour	Wire Option
6	0.35	Black / White	-
8	0.35	Yellow / White	-
9	0.35	Green / Black	-
10	0.5	Green / Yellow	-
11	0.5	Pink / Yellow	K20B K203
12	0.5	Pink / White	-
18	0.5	Black	-
19	3.0	White / Blue	S16D S16F
20	0.35	White / Red	S40F S40P
21	0.35	White / Black	S57A
22	0.35	White	S57A
25	0.35	Pink	-
26	0.35	Pink / Black	K14B

Name DD008
 Description Driver Door Handle Antenna
 Colour Black



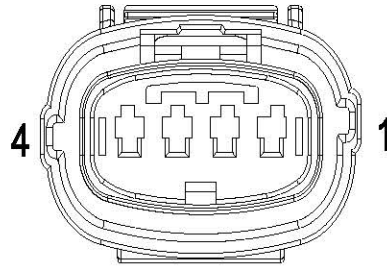
Cavity	Wire Cross Sectional Area	Wire Colour	Wire Option
1	0.35	Red / Green	S30S S30T
2	0.35	Black / Blue	S30S S30T
3	0.35	Green / Black	S30S S30T
4	0.35	Black	S30S S30T

Name FA008
 Description Front Infotainment Control Module-L:A-B
 Colour Slate



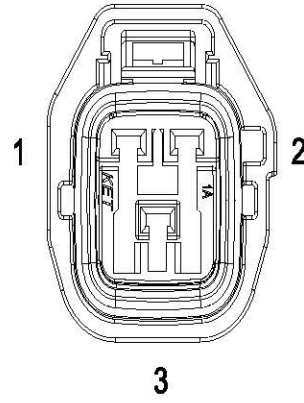
Cavity	Wire Cross Sectional Area	Wire Colour	Wire Option
5	1.5	Red / Black	U10A
11	0.35	White / Black	U10A
14	0.35	Green / White	U10A
15	0.35	Yellow / Black	U10A
23	0.35	Pink / Black	3G08&&U10A
27	0.35	White / Red	U10A && U41A

Name FA036
Description High Voltage PTC:J2
Colour Black



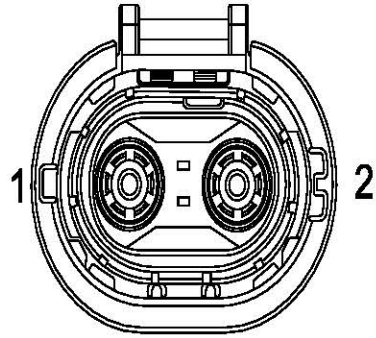
Cavity	Wire Cross Sectional Area	Wire Colour	Wire Option
2	0.35	Green / White	-
3	0.35	Pink / Black	-
4	0.35	Black	-

Name FC032
Description Bonnet Switch
Colour Slate



Cavity	Wire Cross Sectional Area	Wire Colour	Wire Option
1	0.35	White	S54A
2	0.5	Black	S54A

Name HV002
Description Power Distribution Unit-1
Colour Orange



ORANGE

Cavity	Wire Cross Sectional Area	Wire Colour	Wire Option
1	50.0	Orange	-
2	50.0	Orange	-

Fusebox Details

Front Compartment Fusebox

