

COLOUR CODES**DRAADKLEURCODES****CODICI COLORI DEI CAVI****CODES DES COULEURS DES FILS****CODIGOS DE COLORES DE LOS CABLES****KABELFARBCODES****CÓDIGOS DAS CORES DOS FIOS**

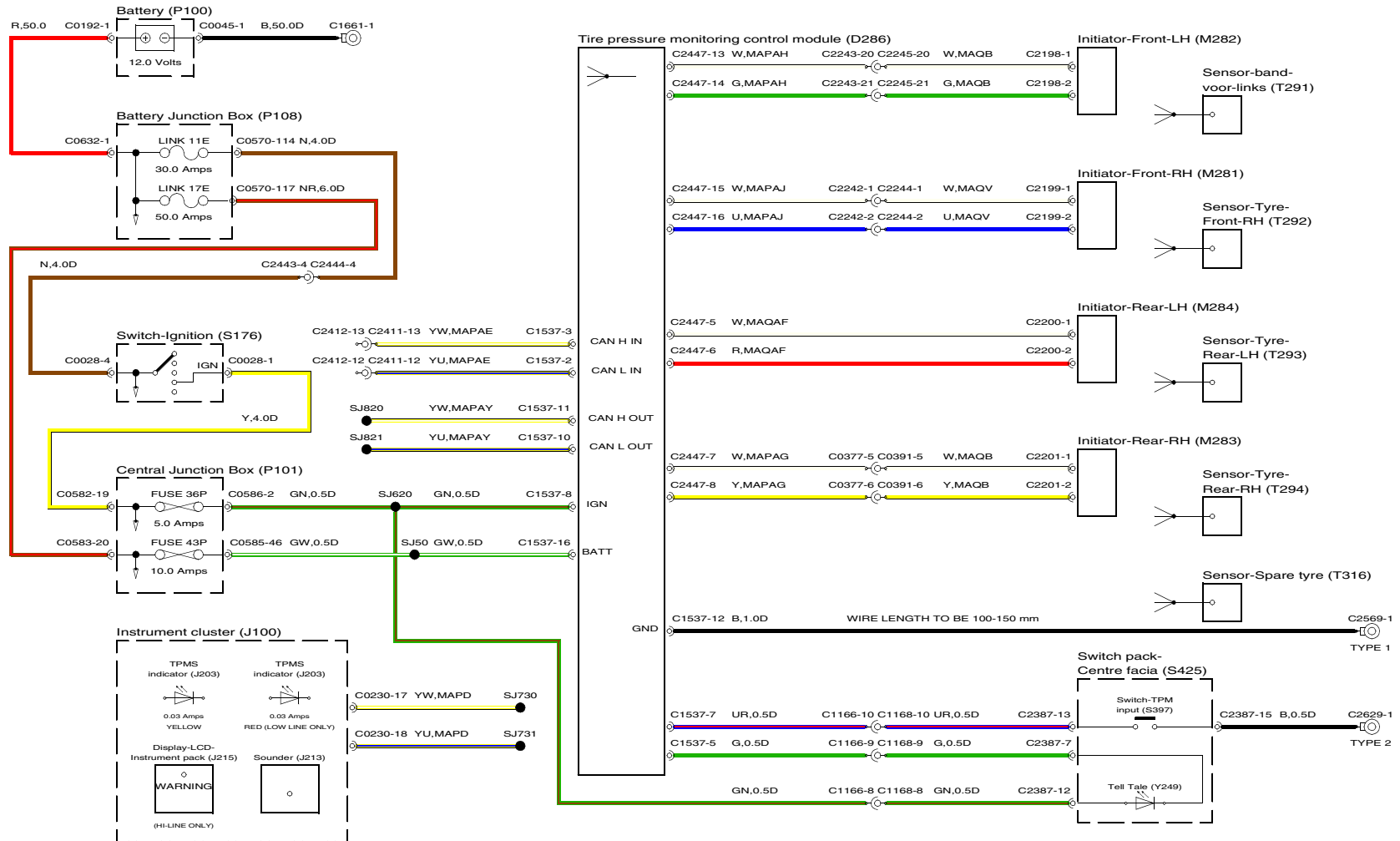
CODE	COLOUR	CODE	KLEUR	CODE	COULEUR	CODE	FARBE	CODICE	COLORE	CODIGO	COLOR	CÓDIGO	COR
B	BLACK	B	ZWART	B	NOIR	B	SCHWARZ	B	NERO	B	NEGRO	B	PRETO
G	GREEN	G	GROEN	G	VERT	G	GRÜN	G	VERDE	G	VERDE	G	VERDE
K	PINK	K	ROZE	K	ROSE	K	ROSA	K	ROSA	K	ROSA	K	ROSA
LG	LIGHT GREEN	LG	LICHTGROEN	LG	VERT CLAIR	LG	HELLGRÜN	LG	VERDE CHIARO	LG	VERDE CLARO	LG	VERDE CLARO
N	BROWN	N	BRUIN	N	BRUN	N	BRAUN	N	MARRONE	N	MARRON	N	CASTANHO
O	ORANGE	O	ORANJE	O	ORANGE	O	ORANGE	O	ARANCIONE	O	NARANJA	O	LARANJA
P	PURPLE	P	PAARS	P	VIOLET	P	LILA	P	PORPORA	P	PURPURA	P	ROXO
R	RED	R	ROOD	R	ROUGE	R	ROT	R	ROSSO	R	ROJO	R	VERMELHO
S	SLATE (grey)	S	LEIGRIJS	S	GRIS	S	GRAU	S	ARDESIA (grigio)	S	PIZARRO (gris)	S	CINZENTO
T	TRANSPARENT	T	TRANSPARANT	T	TRANSPARENT	T	TRANSPARENT	T	TRASPARENTE	T	TRANSPARENTE	T	TRANSPARENTE
U	BLUE	U	BLAUW	U	BLEU	U	BLAU	U	BLU	U	AZUL	U	AZUL
W	WHITE	W	WIT	W	BLANC	W	WEISS	W	BIANCO	W	BLANCO	W	BRANCO
Y	YELLOW	Y	GEEL	Y	JAUNE	Y	GELB	Y	GIALLO	Y	AMARILLO	Y	AMARELO

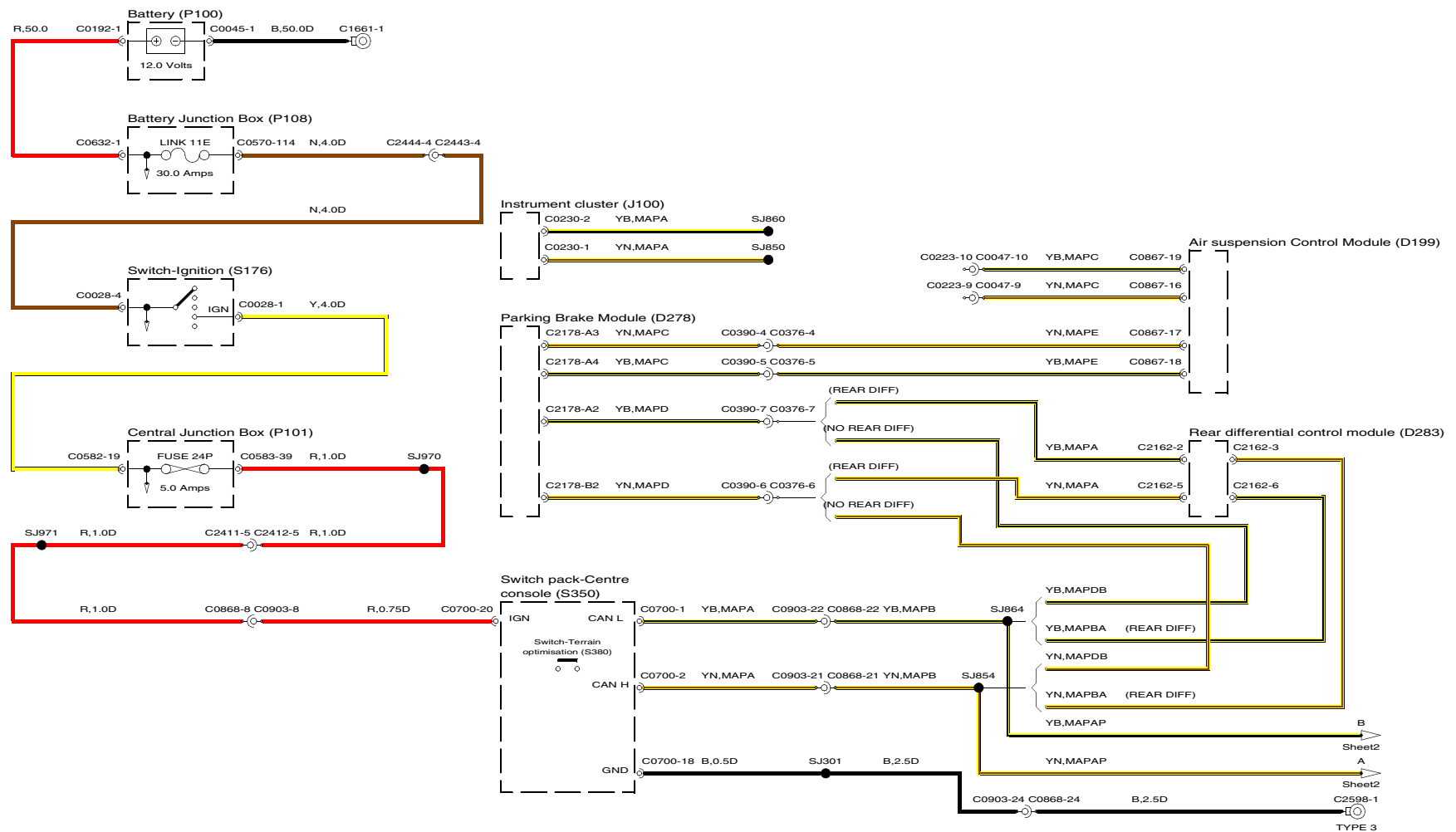
CONTENTS

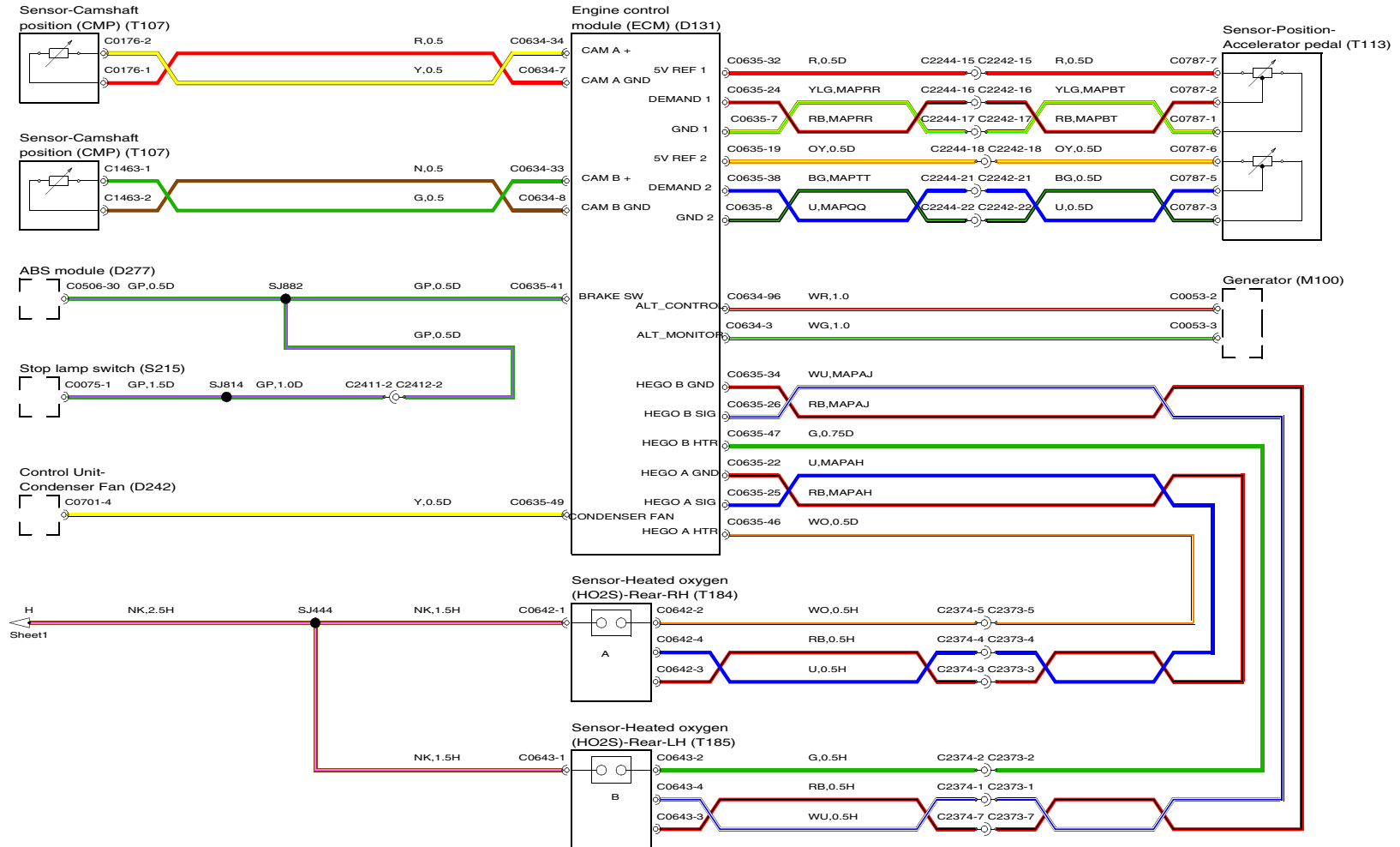
204-04		303-14		412-04	
WHEELS AND TIRES	8	ELECTRONIC ENGINE CONTROLS	24	CONTROL COMPONENTS	60
Tire Pressure Monitoring System	8	Petrol - V6	24	Windshield Heater	60
		Petrol - V8	30	Rear Window Heater	62
204-05		307-01		413-00	
VEHICLE DYNAMIC SUSPENSION	10	AUTOMATIC TRANSMISSION	38	INSTRUMENT CLUSTER AND PANEL	
Air Suspension	10			ILLUMINATION	64
204-06		308-07		413-01	
RIDE AND HANDLING OPTIMIZATION	12	FOUR WHEEL DRIVE SYSTEMS	42	INSTRUMENT CLUSTER	70
Terrain Response	12	Transfer Box	42		
205-02		310-01		413-06	
REAR DRIVE AXLE AND DIFFERENTIAL	14	FUEL TANK AND FUEL LINES	44	HORN	74
Electronic Rear Differential	14				
206-05		412-02		413-08	
PARKING BRAKE AND ACTUATION	16	AUXILIARY HEATING	46	INFORMATION AND MESSAGE CENTRE	76
		Fuel Fired Booster Heater	46	Customer Settings	76
206-09		412-03		413-13	
ANTI-LOCK CONTROL	18	AIR CONDITIONING	48	PARKING AID	78
Traction Control	18	Low Line	48		
Steering Angle Sensor	20	High Line	52	414-01	
211-05		412-03		BATTERY, MOUNTING AND CABLES	82
STEERING COLUMN SWITCHES	22	AUXILIARY CLIMATE CONTROL	56	Transit Relay	82
Clock Spring	22	Rear	56	Ignition Switch	84
		Cool Box	58	Battery Junction Box	86
				Central Junction Box	94
				Ground Distribution	104
				Splices	114

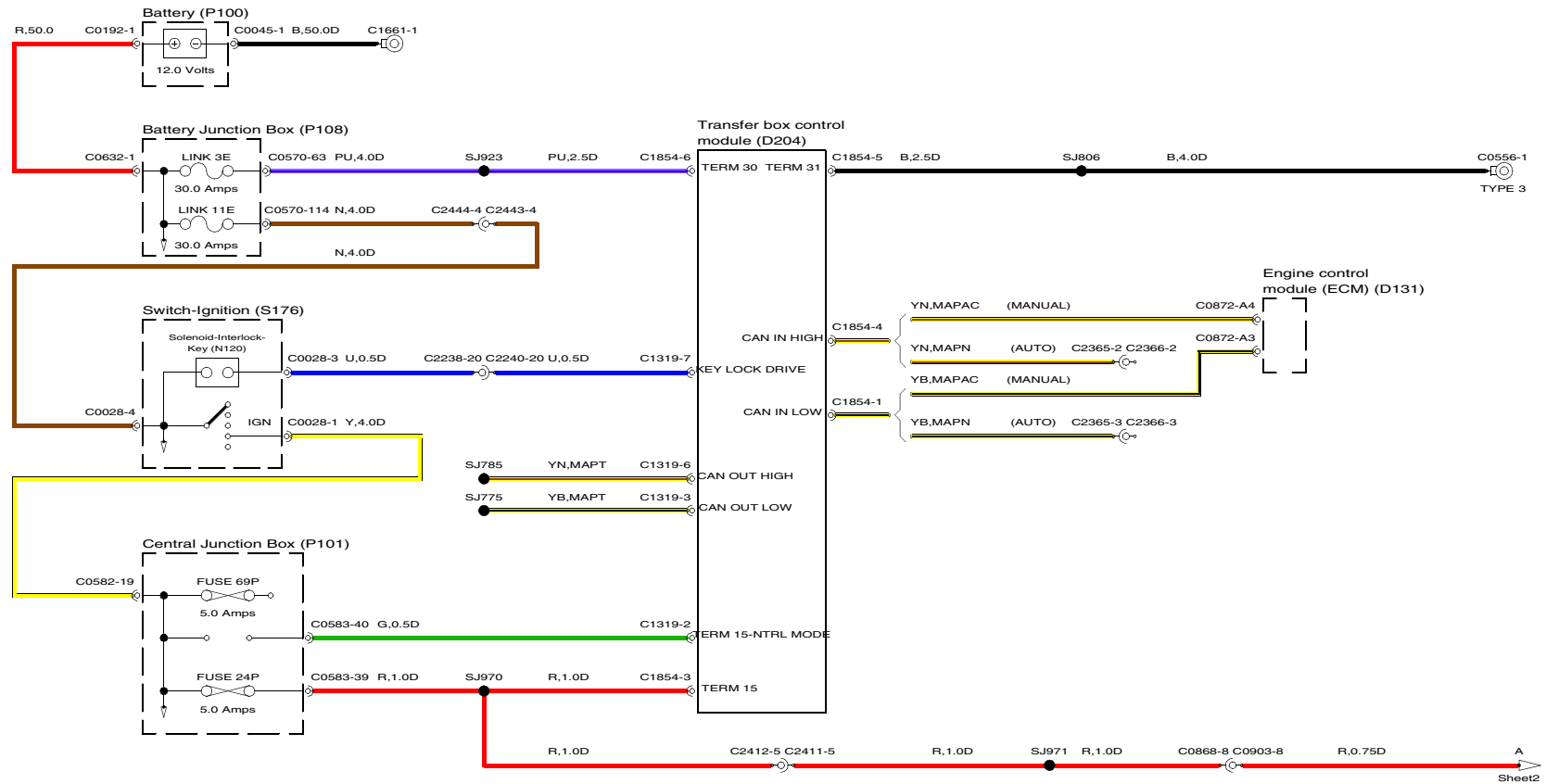
CONTENTS

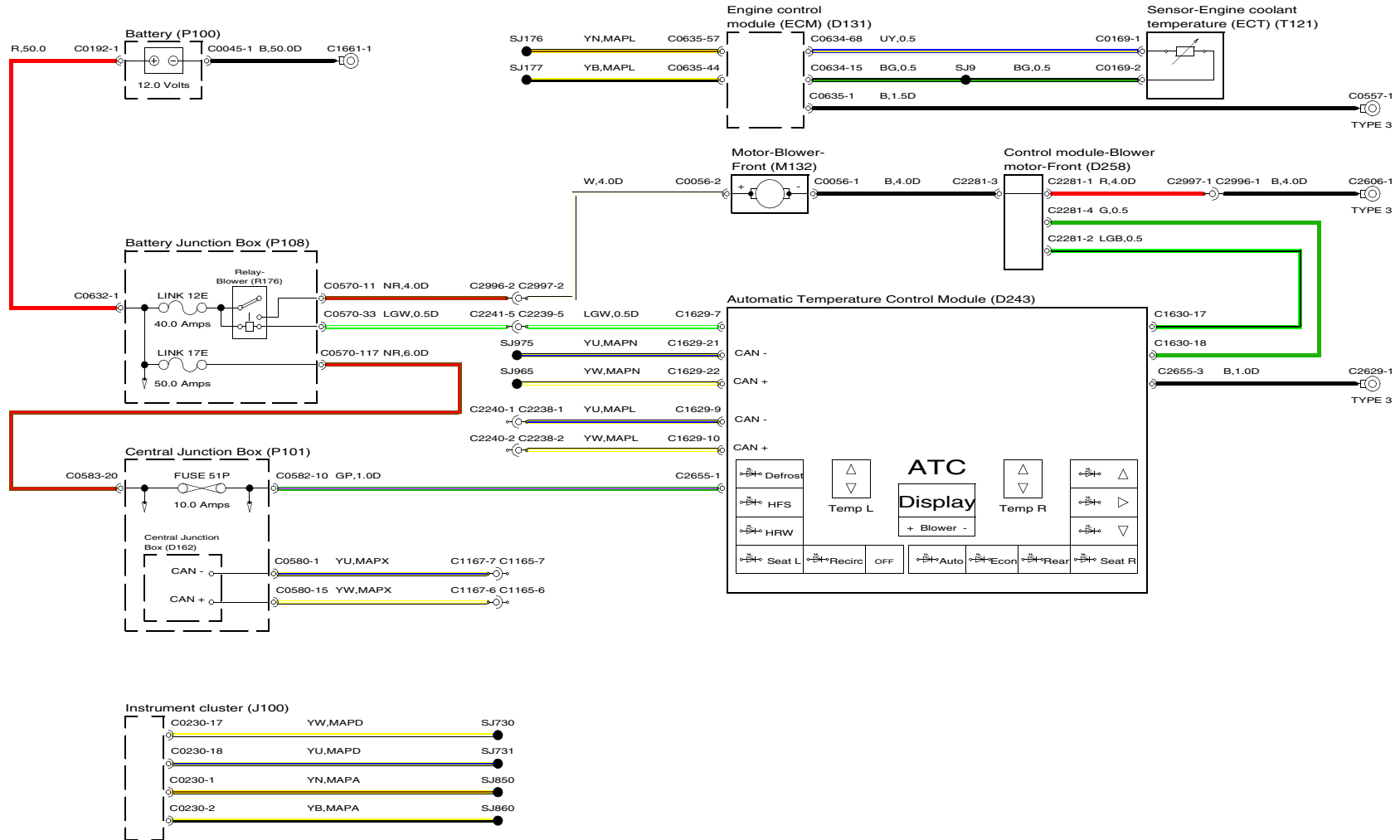
414-02		418-00		501-11	
GENERATOR AND REGULATOR	140	MODULE COMMUNICATIONS NETWORK	180	GLASS, FRAMES AND MECHANISMS	214
Charging - TdV6 and V8	140	CAN Bus - Medium Speed	180	Window Lift	214
Charging - V6	142	CAN Bus - High Speed	182	501-12	
415-00		Diagnostic Socket	186	INSTRUMENT PANEL AND CONSOLE	218
ENTERTAINMENT SYSTEM	144	419-01		Accessory Socket	218
Low Line	144	ANTI-THEFT ALARM	188	Cigar Lighter	220
High Line	146	Passive	188	501-14	
417-01		Active	190	HANDLES, LOCKS, LATCHES AND ENTRY	
EXTERIOR LIGHTING	156	501-09		SYSTEMS	222
Lighting Control Switch	156	REAR VIEW MIRRORS	194	Central Locking System	222
Headlamps	158	Memory	196	501-16	
Headlamps - Adaptive Front Lighting System	162	Fold Back	198	WIPERS AND WASHERS	228
Headlamp levelling - Manual	166	Heated	200	Front	228
Stop and Reverse Lamps	168	Electrochromic	202	Rear	230
Turn Signal Indicators and Hazard Flashers	170	501-10		Power Wash	232
Fog lamps - NAS	172	SEATING	204	Washer Jets - Heated	234
Trailer Socket - 7 Pin NAS	174	NAS	204	501-17	
417-02		Memory	206	ROOF OPENING PANEL	236
INTERIOR LIGHTING	176	Heated - Front	208	501-20	
		Heated - Rear	210	SUPPLEMENTAL RESTRAINT SYSTEM	238



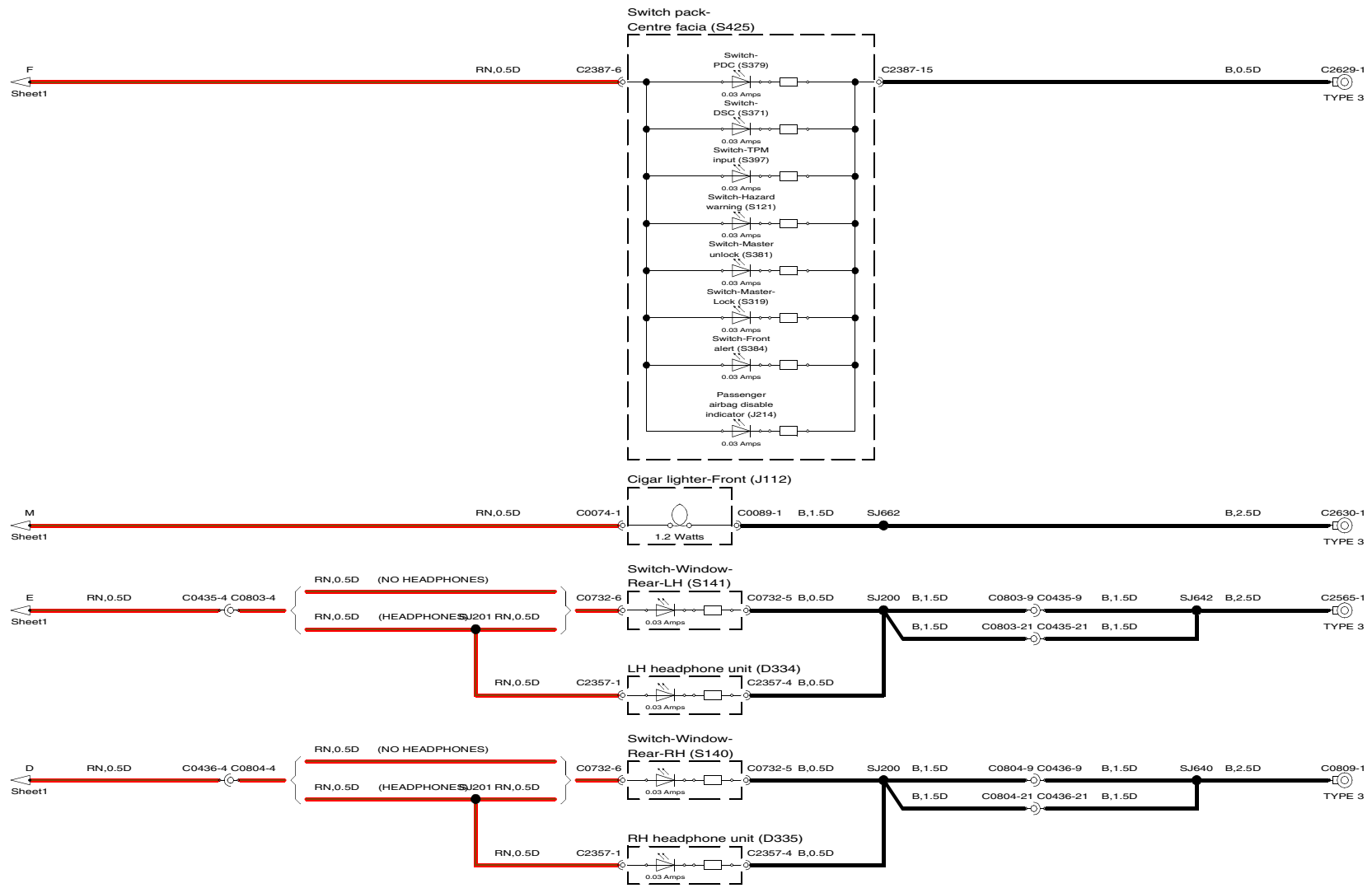


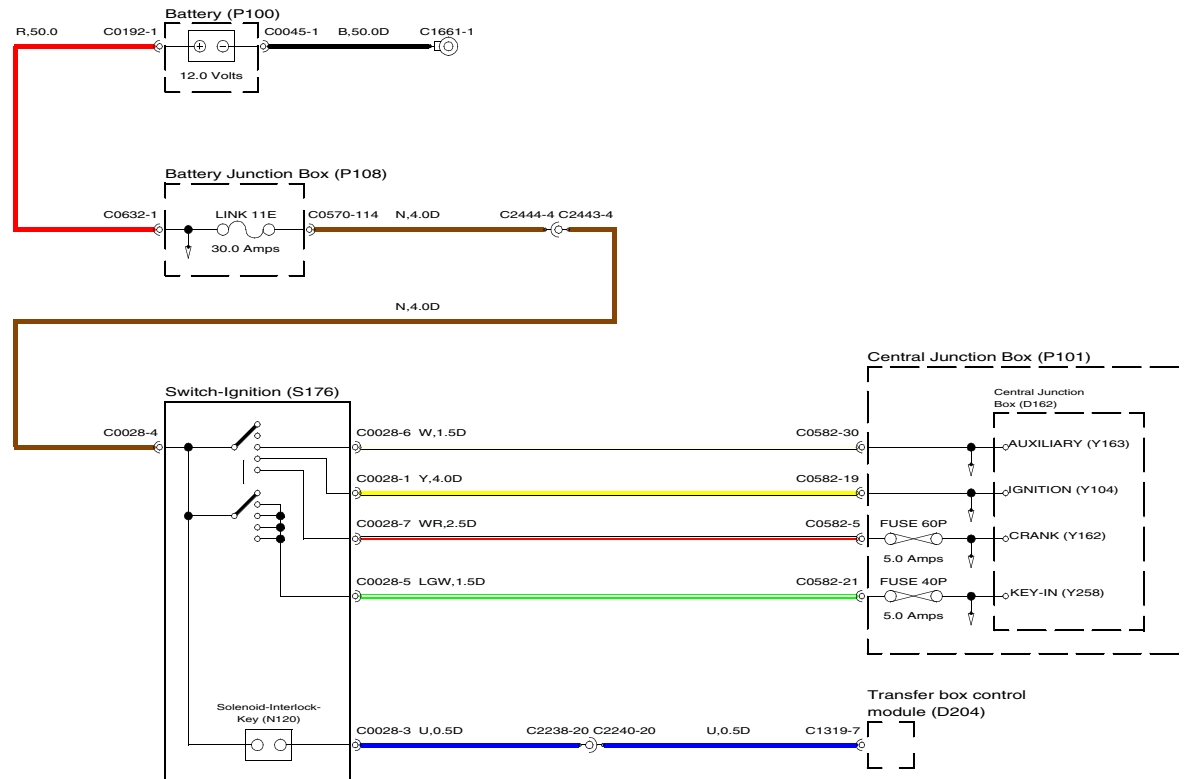


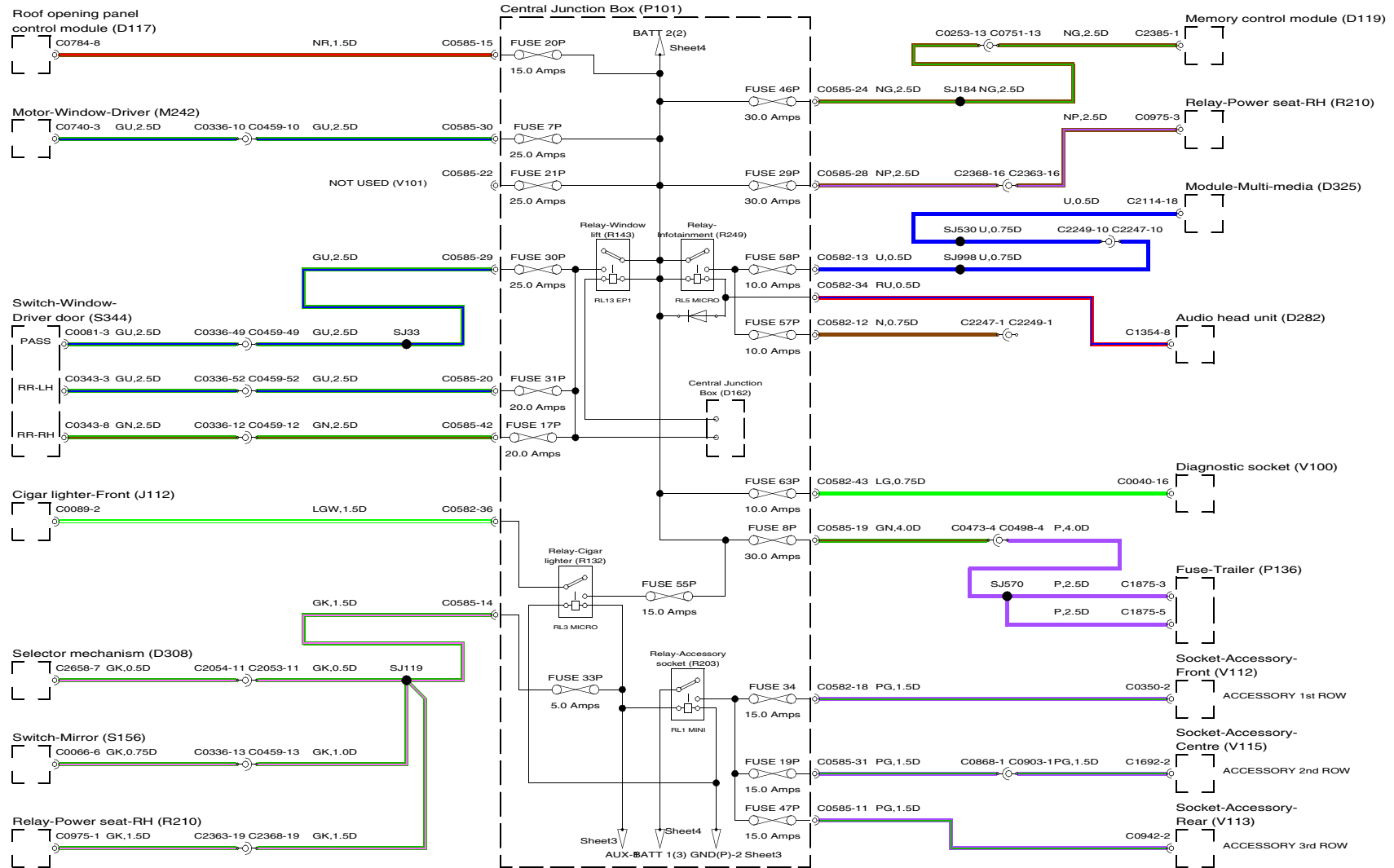


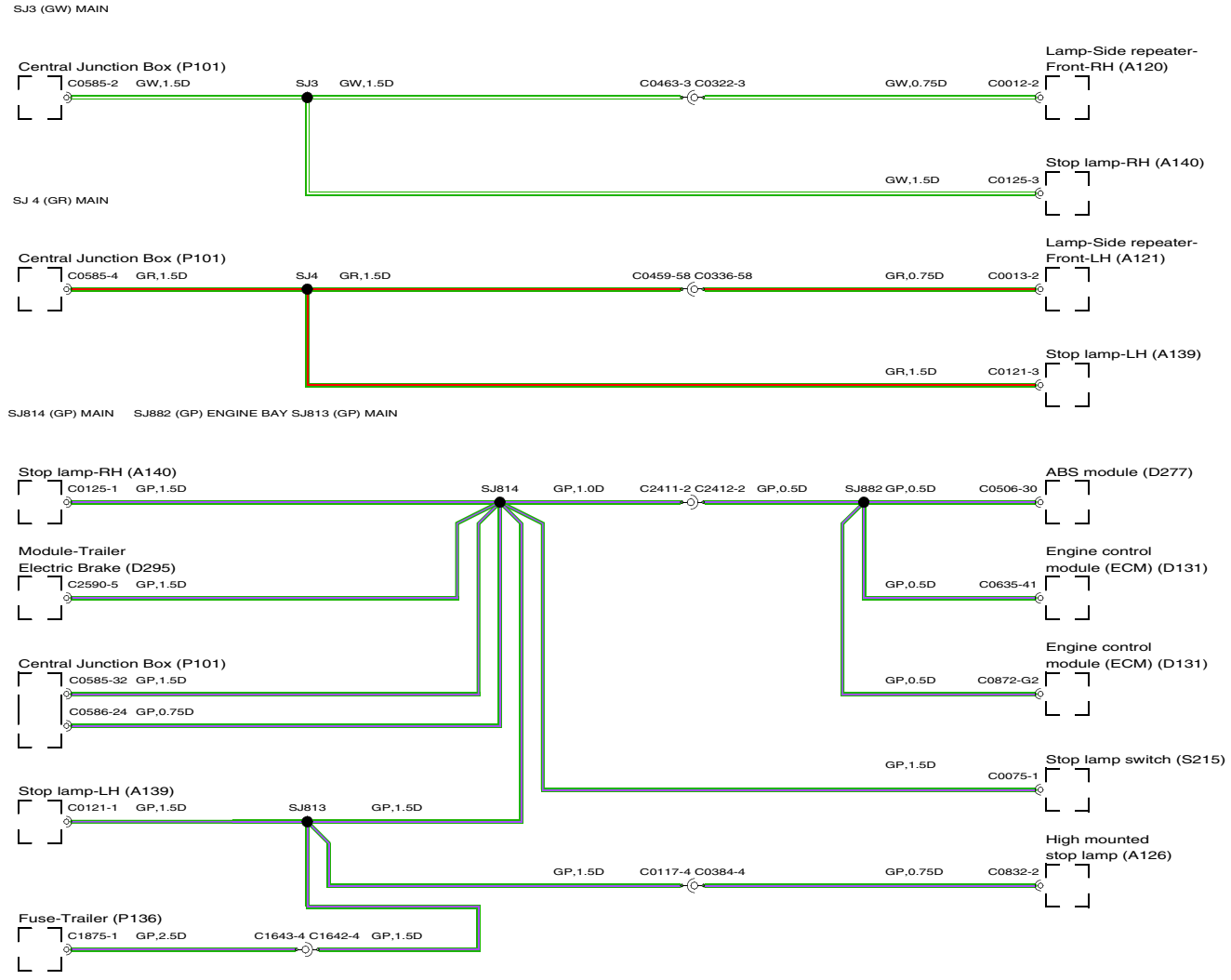


413 INSTRUMENT CLUSTER AND PANEL ILLUMINATION

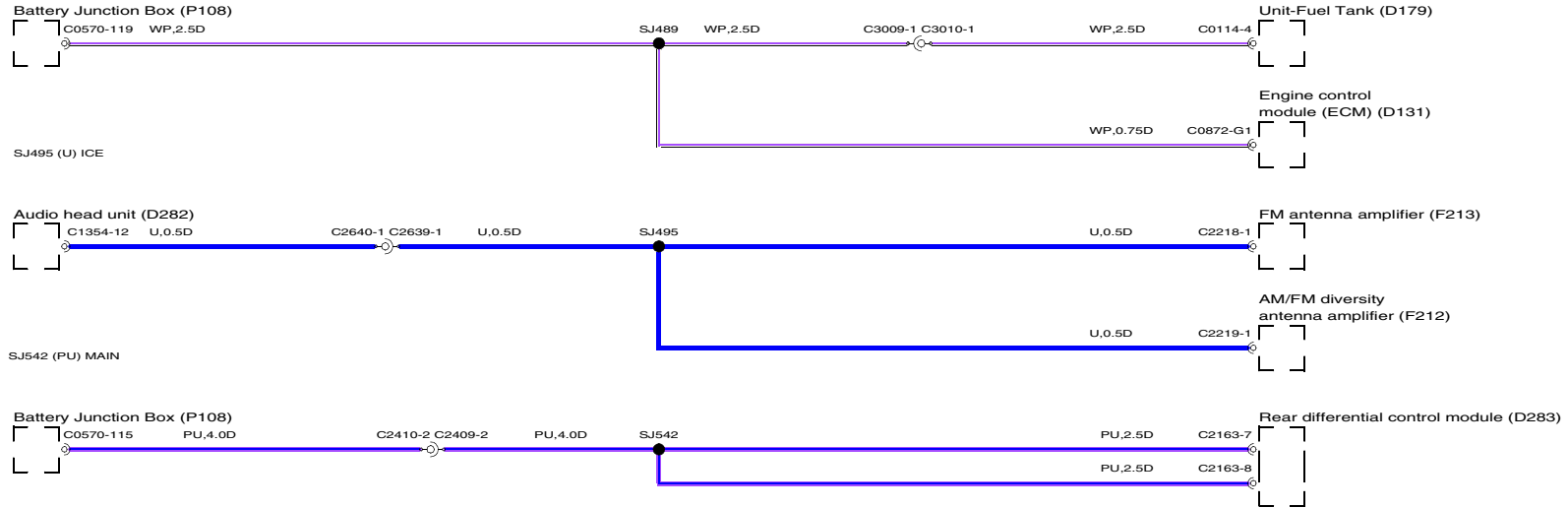








SJ489 (WP) ENGINE BAY



SJ550 (BG) FACIA

