

2007 Compliant Models 210 220 - Cab Chassis Interface Definition

Connector: Yellow 25 pin

Connector Identifier: Y25

Pin No.	Schematic page	Function	DAF no.
A1	M19A	Fuel tank sender signal	3503
A2	M19AA	Park brake	3402
A3	M05B	Reverse Alarm (to buzzer)	5104
A4	M19C	Diff lock solenoid	4517
A5	M01E	Urea Heater (only if a design requirement)	1665
A6	M19C	Brake wear	3406
A7	M05B	Reverse light switch +ve - fuse 46	1217
A8	M05A	Direction indicator LH truck	2036
A9	M05A	Direction indicator RH truck	2037
A10	M04A	Tail lamp LH	2170
A11	M04A	Tail lamp RH	2169
A12	M04B	Rear fog LH/RH	2152
A13	M05B	Rear stop lamp LH/RH	4601
B1	M01D	ABS trailer pin 2 and 24S trailer pin 6 +ve supply	1356
B2	M05B	Reverse alarm from switch	4591
B3	M10A	Battery supply +ve - Pin 4 Trailer Socket S	1110
B4	M03A	Air drier +ve supply - ignition fuse F39	1240
B5	M03A	Heated Sedimenter	5051
B6	M18A	Alarm	3659
B7	M19A	Direction indicator trailer LH - Pin 3 trailer socket N	2008
B8	M19A	Direction indicator trailer RH - Pin 5 trailer socket N	2009
B9	M19C	Diff lock switch	3408
B10	M15B	ABS trailer warning light	3428
B11	M19AA	Cab lock down	3412
B12	M10A	Body light	2155

Connector: Brown 16 pin

Connector Identifier: N16

Pin No.	Schematic page	Function	DAF no.
A1	M19A	Air 2 transducer supply	3639
A2	M19A	Air 1 transducer ground	3638A
A3	M19A	Air 1 transducer supply	3639A
A4	M19A	Air 1 transducer signal	3640
A5	M06A	Tachograph sender -ve (pin 2 sender unit)	3020
A6	M06A	Tachograph sender +ve (pin 1 sender unit)	3021
A7	M06A	Tachograph sender signal 1 (pin 4 sender unit)	3018
A8	M06A	Tachograph sender signal 2 (pin 3 sender unit)	3019
B1	M19A	Gearbox protection solenoid range change	4030
B2	M18A	Alarm	3660
B3	M19AA	Gearbox neutral switch	4721
B4	M16A	PTO solenoid output VIC	4596
B5	M03A	W.I.F. warning light	5049
B6		N/C	
B7	M19A	Air 2 transducer ground	3638
B8	M19A	Air 2 transducer signal	3641

Electrical Schematics for Model 210 and 220

The content of the pages identified below is generic and not specific to Model 210/220 built after January 1, 2008. When working on the vehicle it is likely that terminated harnesses will be encountered where either an available option has not been specified or a feature is not available on the vehicle.

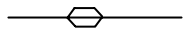
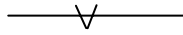

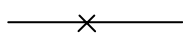
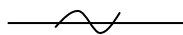
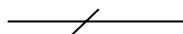
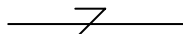
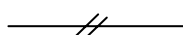

Page No. System/Component

M00	Electrical schematic information
M01C	Supply battery
M01CC	Supply battery (with isolator)
M01D	Supply fuses
M01E	Supply fuses (additional)
M02A	Grid heater / remote battery isolator
M02B	Starter
M03A	Heated sedimenter / Air drier / WIF (water in fuel)
M04A	Lighting
M04B	R. fog / F. fog / Main / Dip beam
M04BB	R. fog / Main / Dip beam
M04C	Driving lamps
M04D	Daytime running lamps
M04E	Headlamp levelling
M05A	Horn / Indicators
M05B	Stop / Reverse lights
M05C	Rotating beacons

Electrical Schematic Information

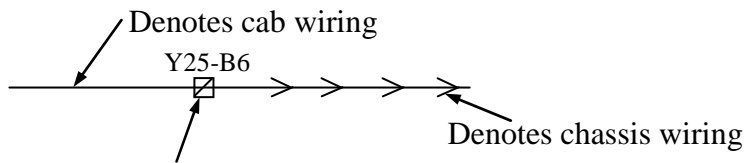
Cable Size Denotations

DAF – Wire Colours

	0.35 sq. mm	1000 – 1999 = Red
	0.5 sq. mm	2000 – 2999 = Yellow
	1.0 sq. mm	3000 – 3999 = Blue
	2.0 sq. mm	4000 – 6999 = Grey
	3.0 sq. mm	Not marked or
	4.5 sq. mm	9000 – 9499 = White
	7.5 sq. mm	V CAN wiring colours:- High = Blue Low = Yellow
	10.0 sq. mm	I CAN wiring colours:- High = Grey Low = Yellow
	16.0 sq. mm	D CAN wiring colours:- High = Green Low = Yellow

Cable sizes and twisting for I-CAN, V-CAN and D-CAN are 0.5 sq. mm cable size and 40 twists/ metre

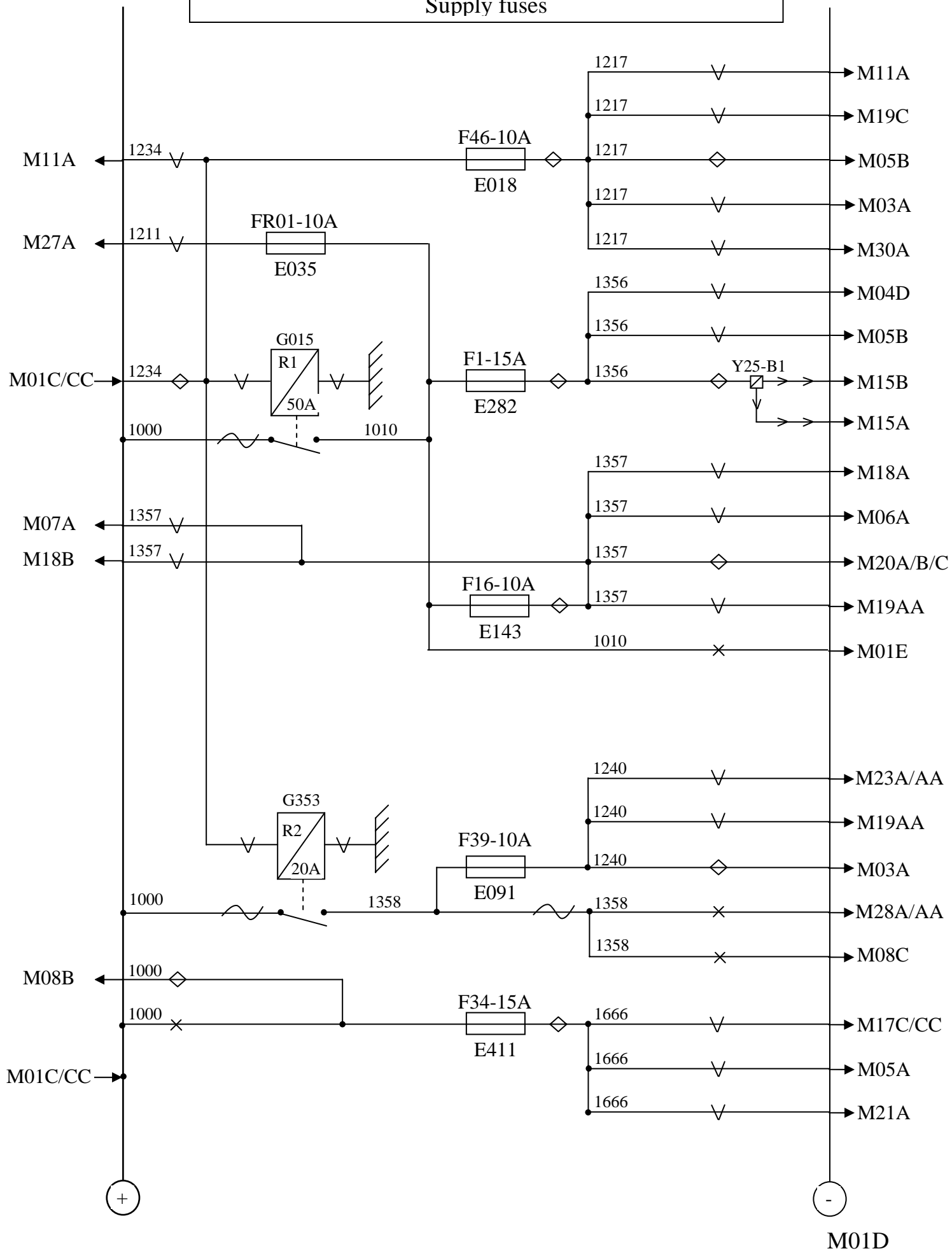
General Information

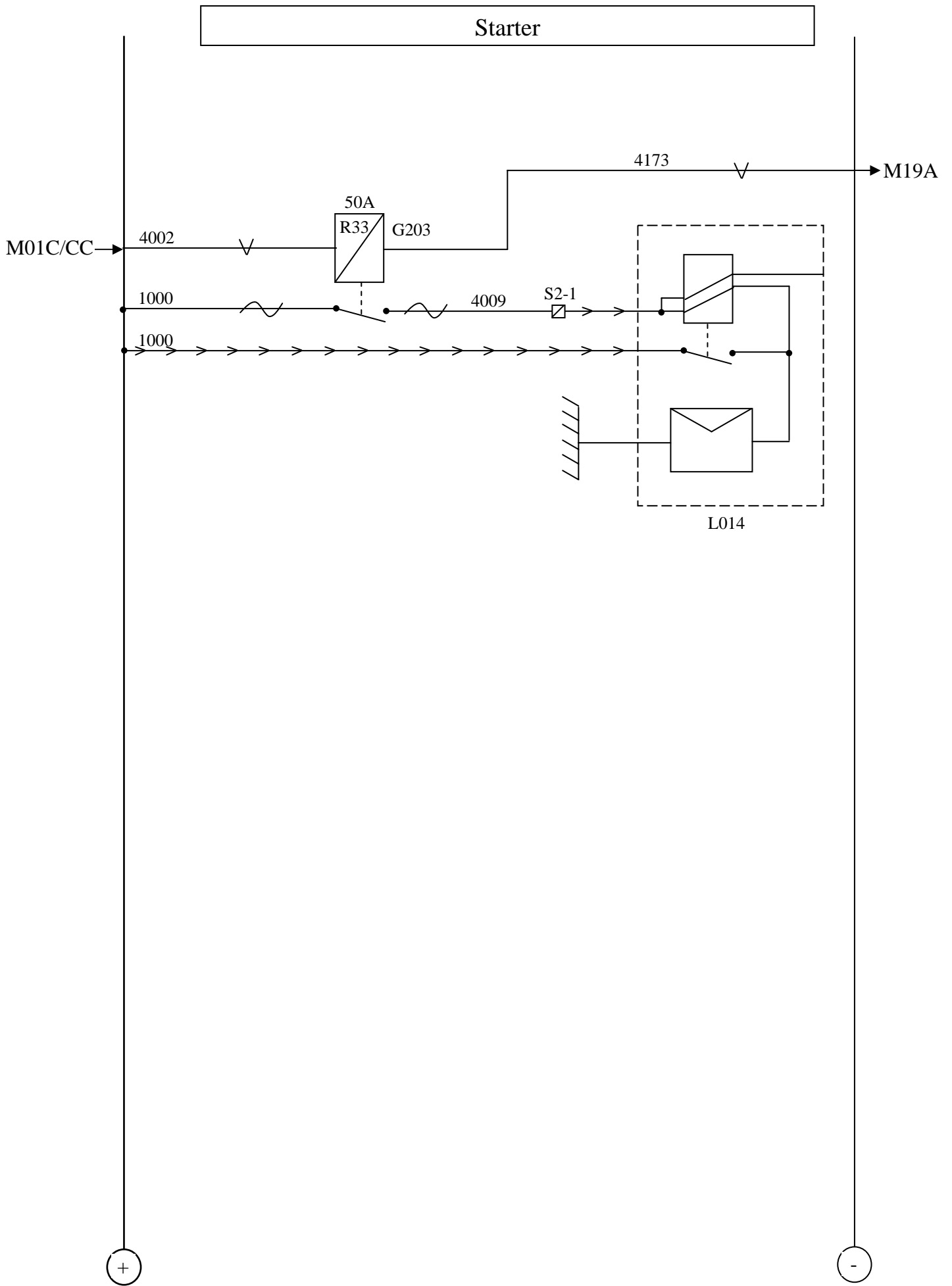


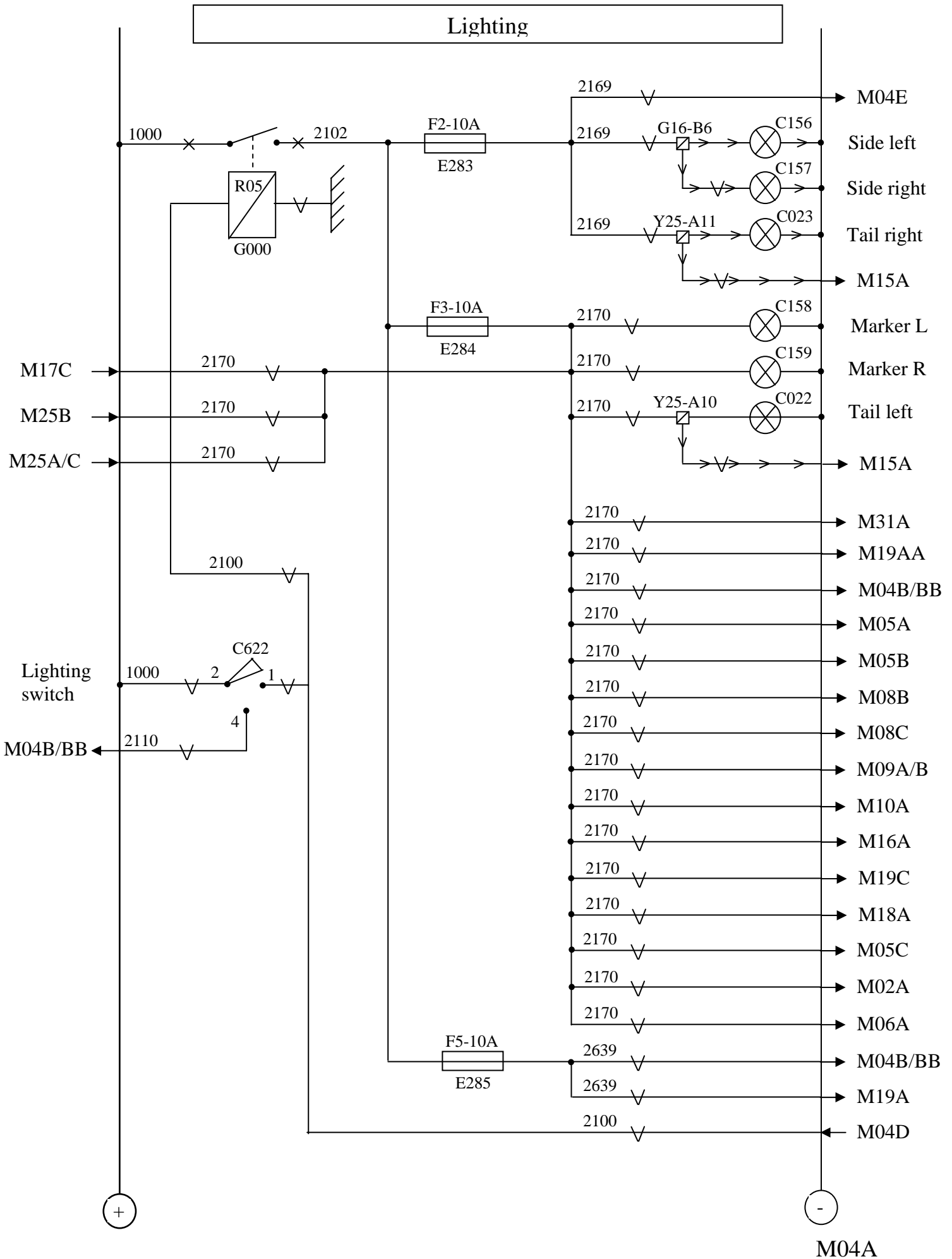
Indicates Cab-Chassis connector at Zone 1 (Ø Zone 2)
Y25 = Yellow connector 25 way
B6 = Cavity No.



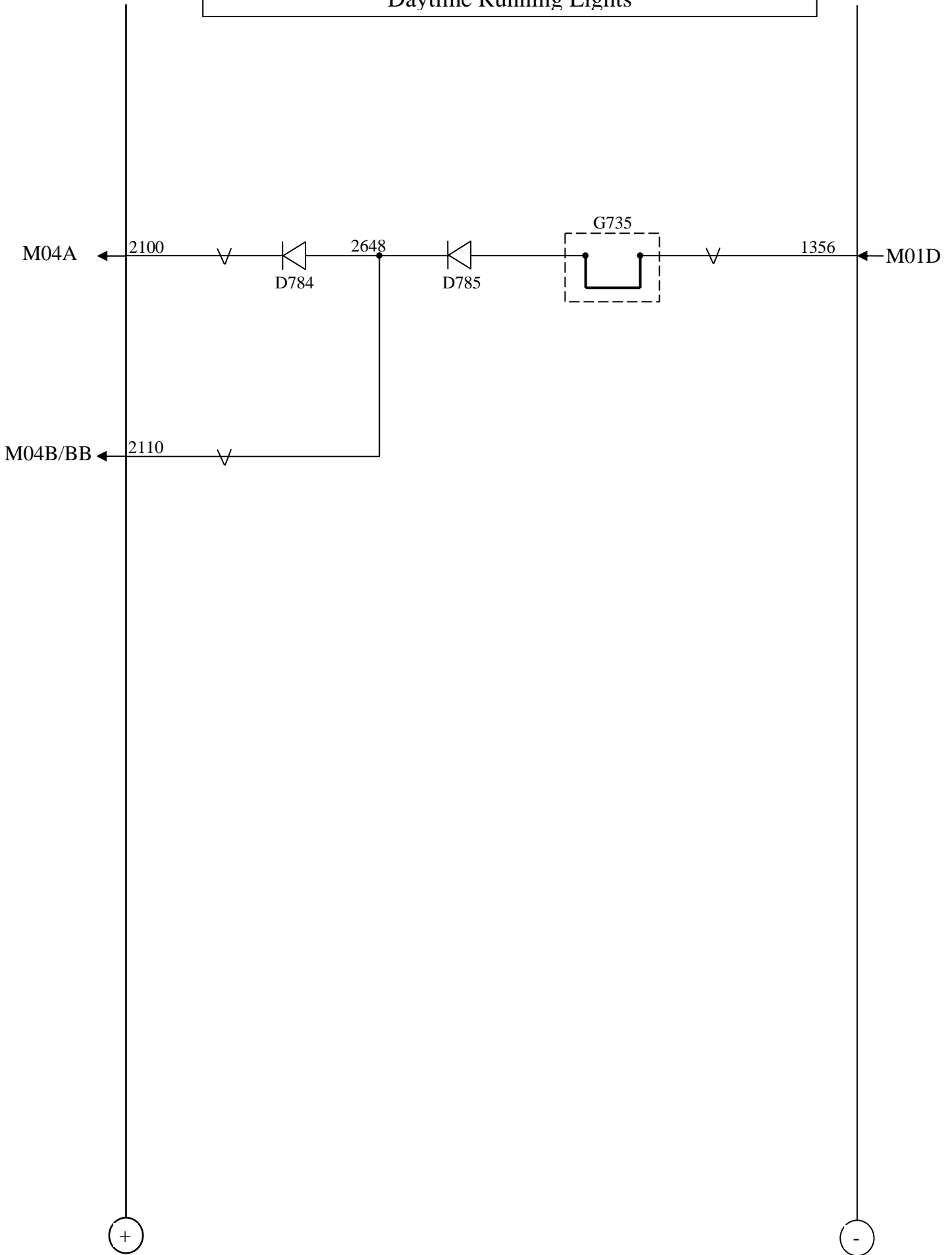
Supply fuses

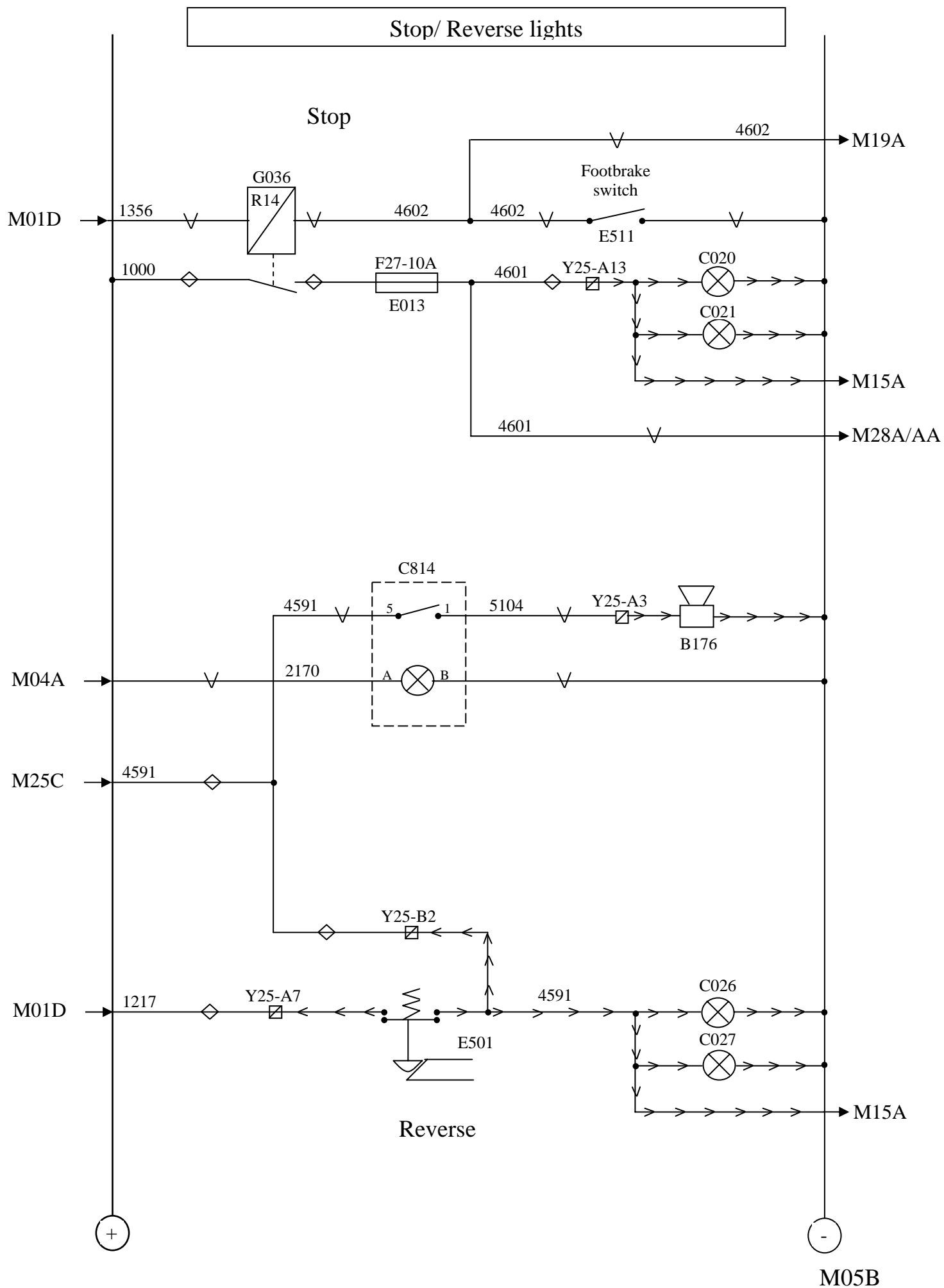


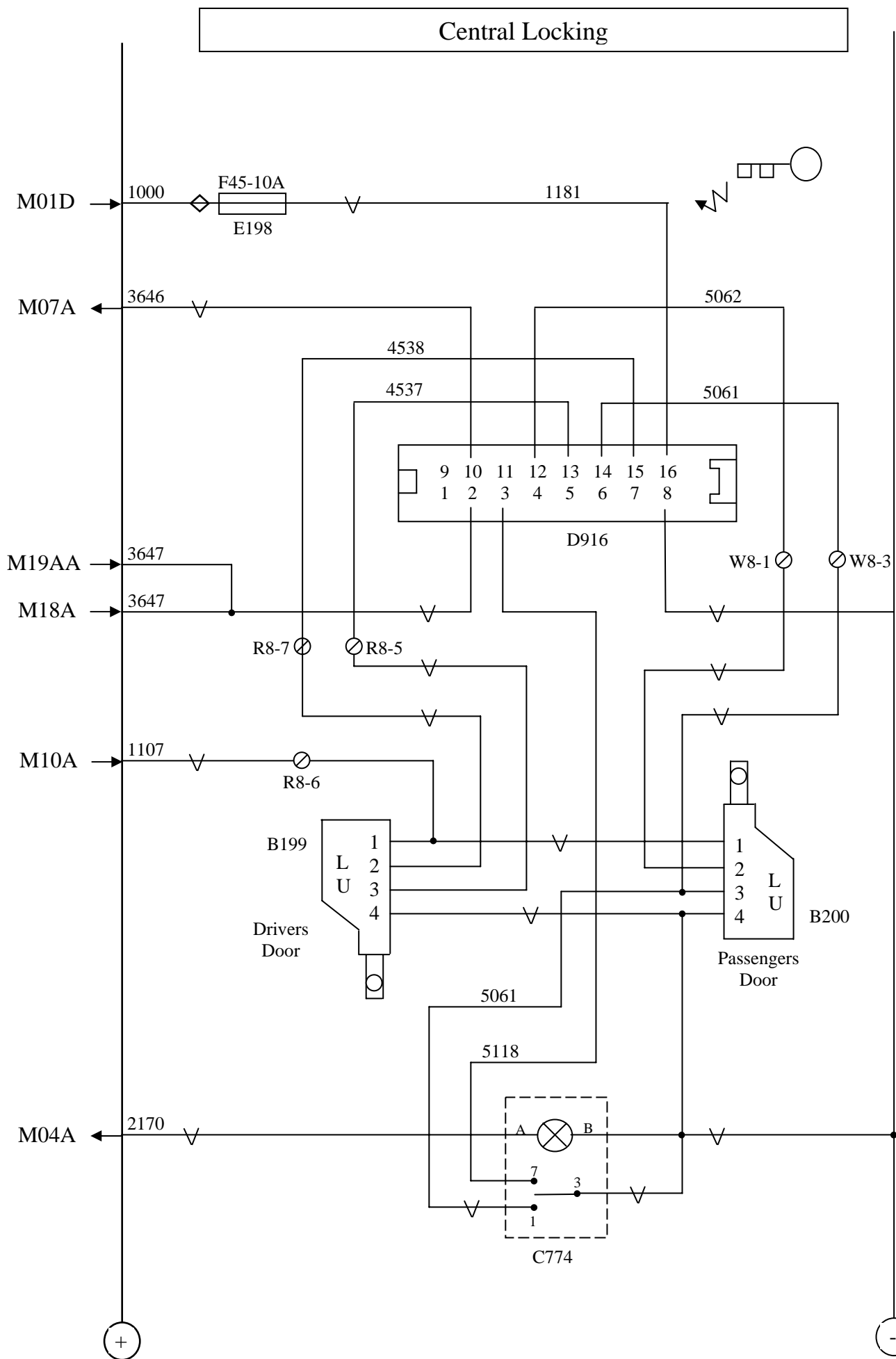




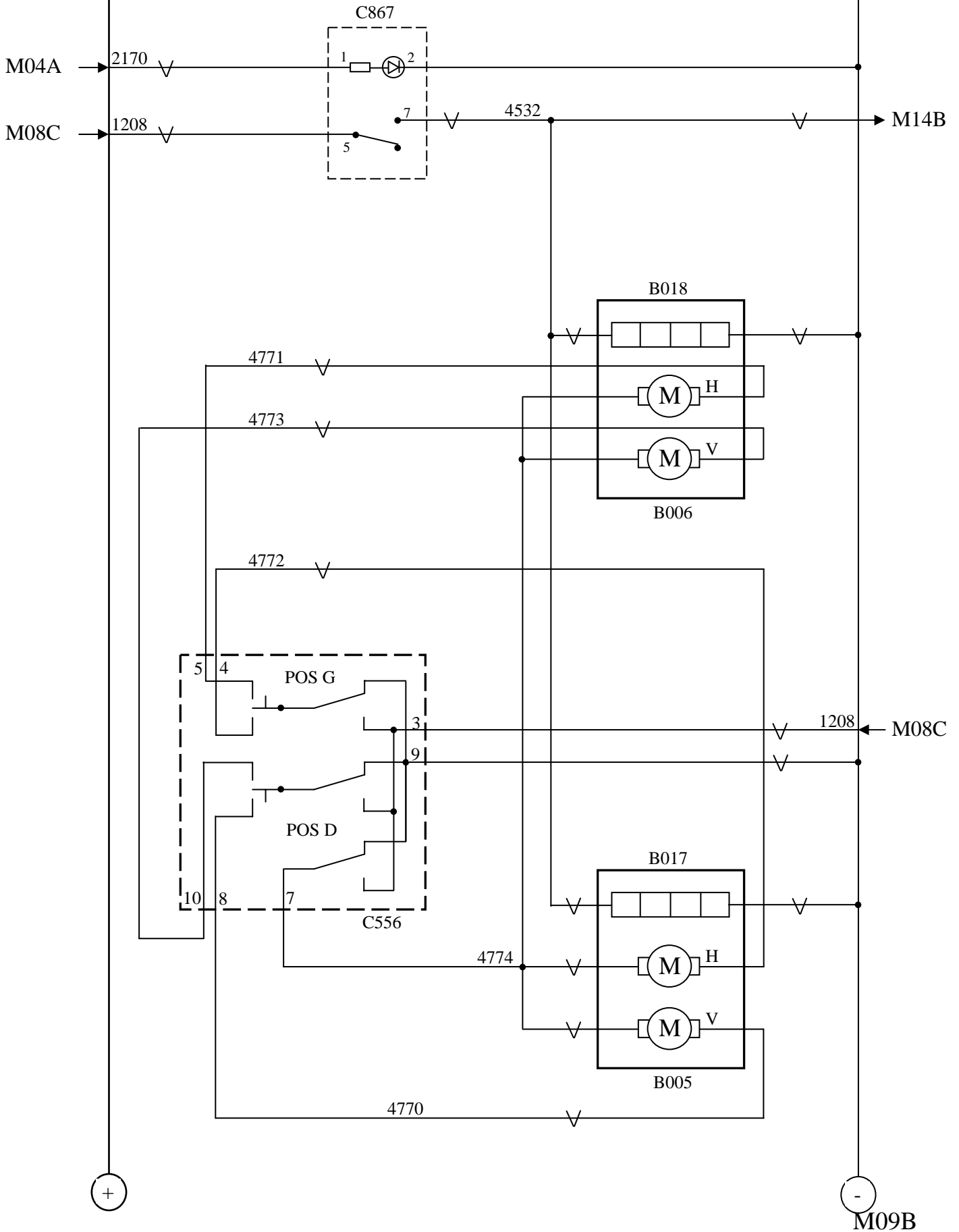
Daytime Running Lights

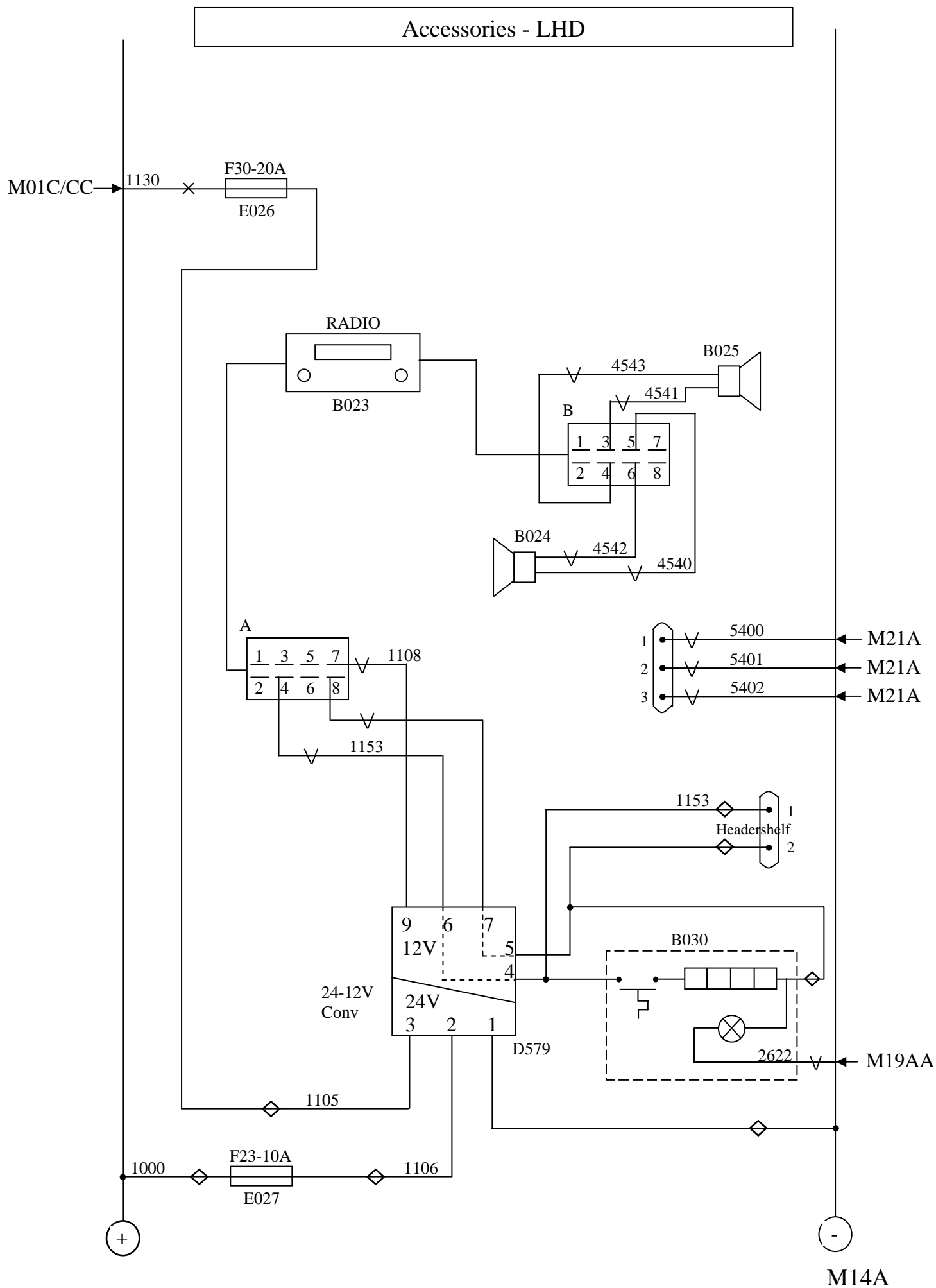




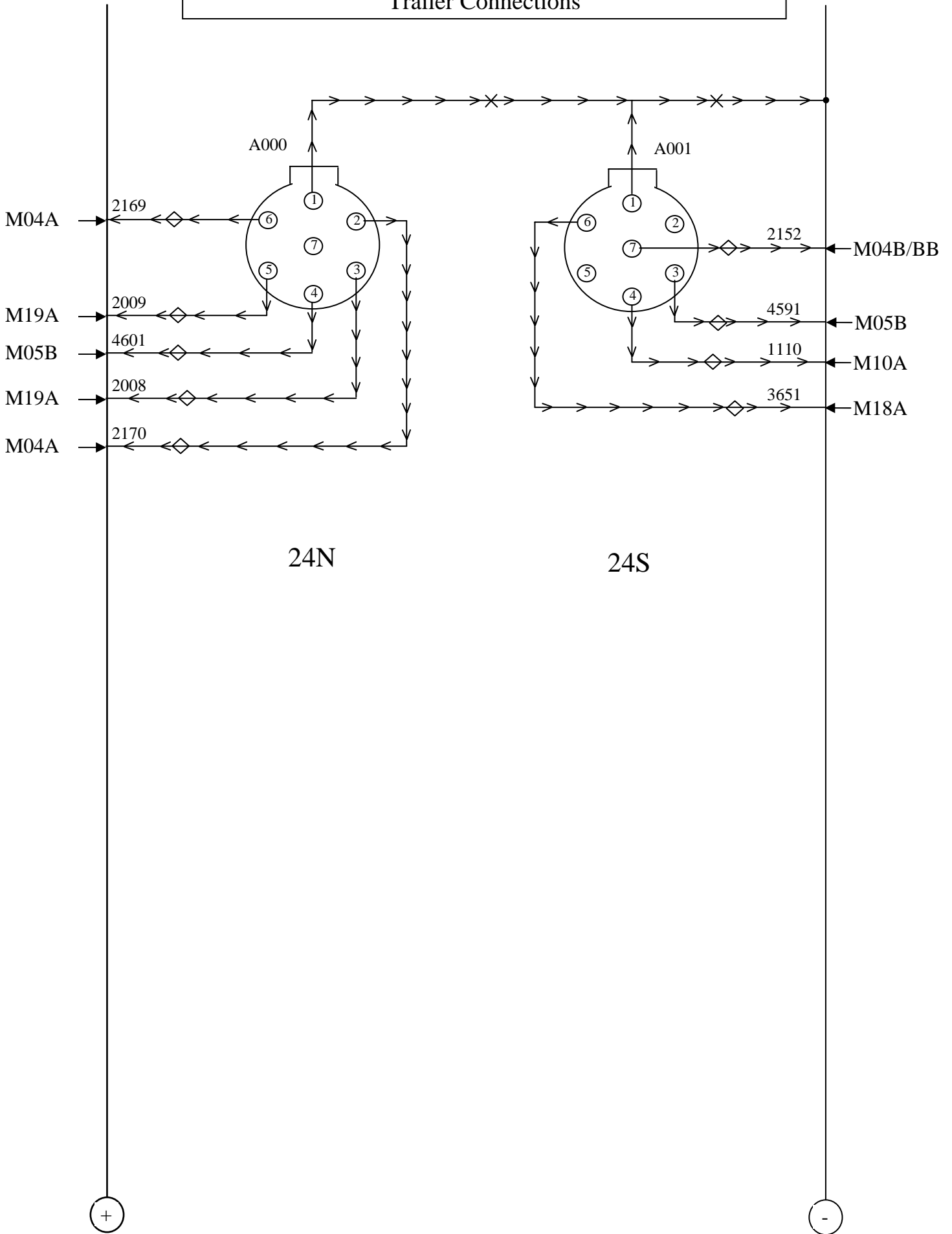


RHD Heated and Steerable Mirrors





Trailer Connections



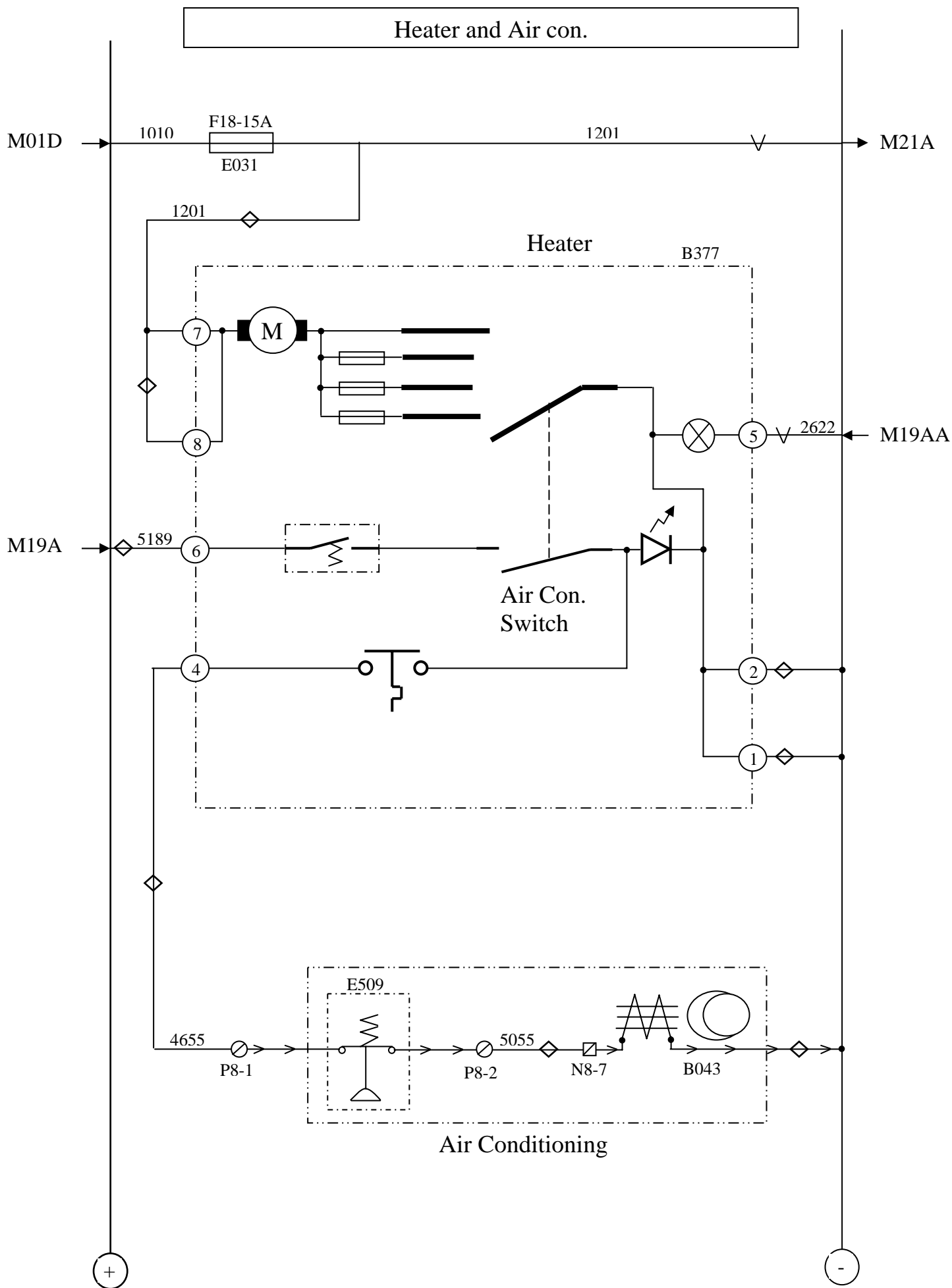
24N

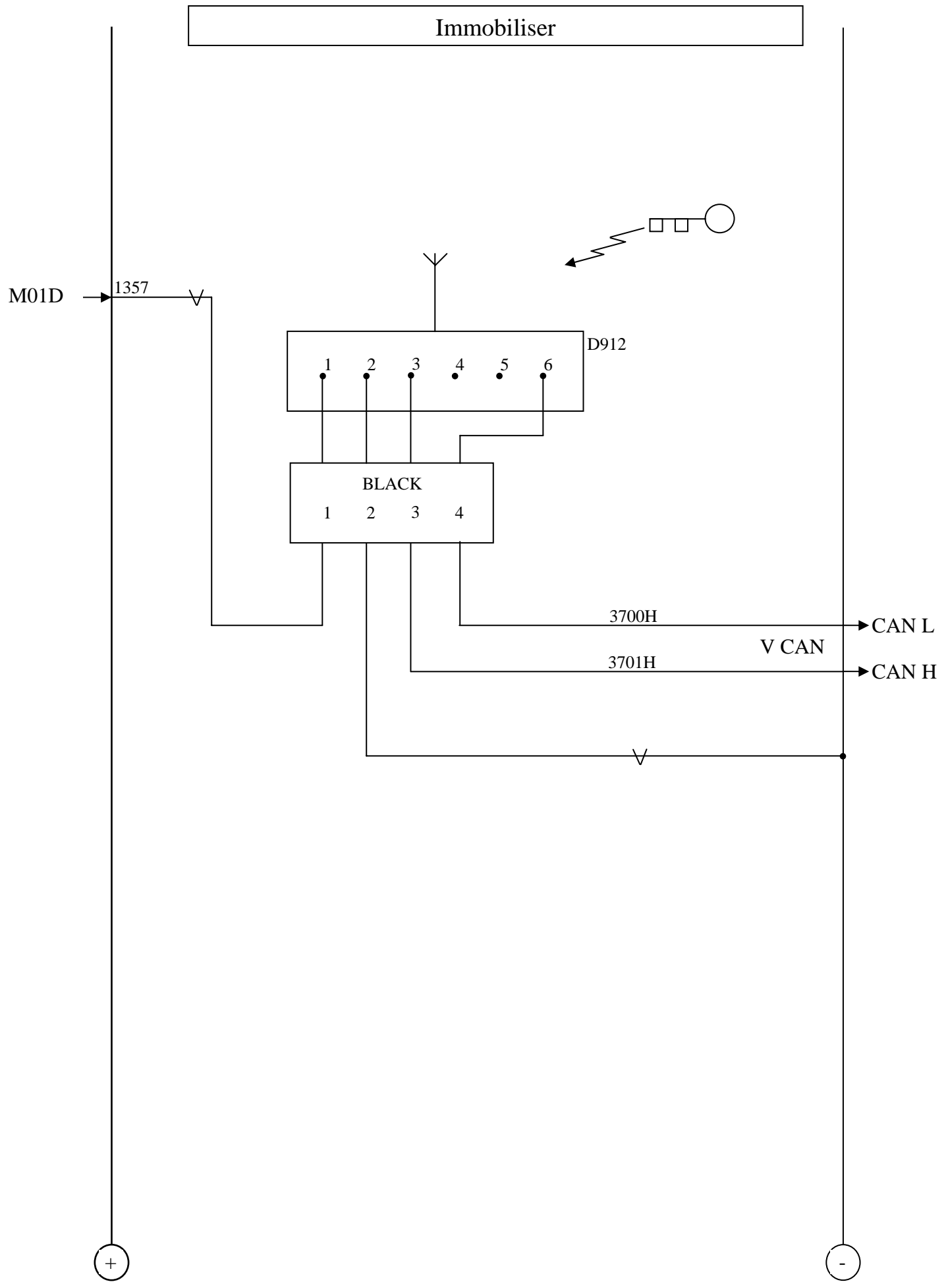
24S

+

-

M15A





Steering Wheel (Without Airbag)

