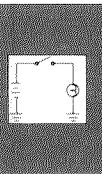


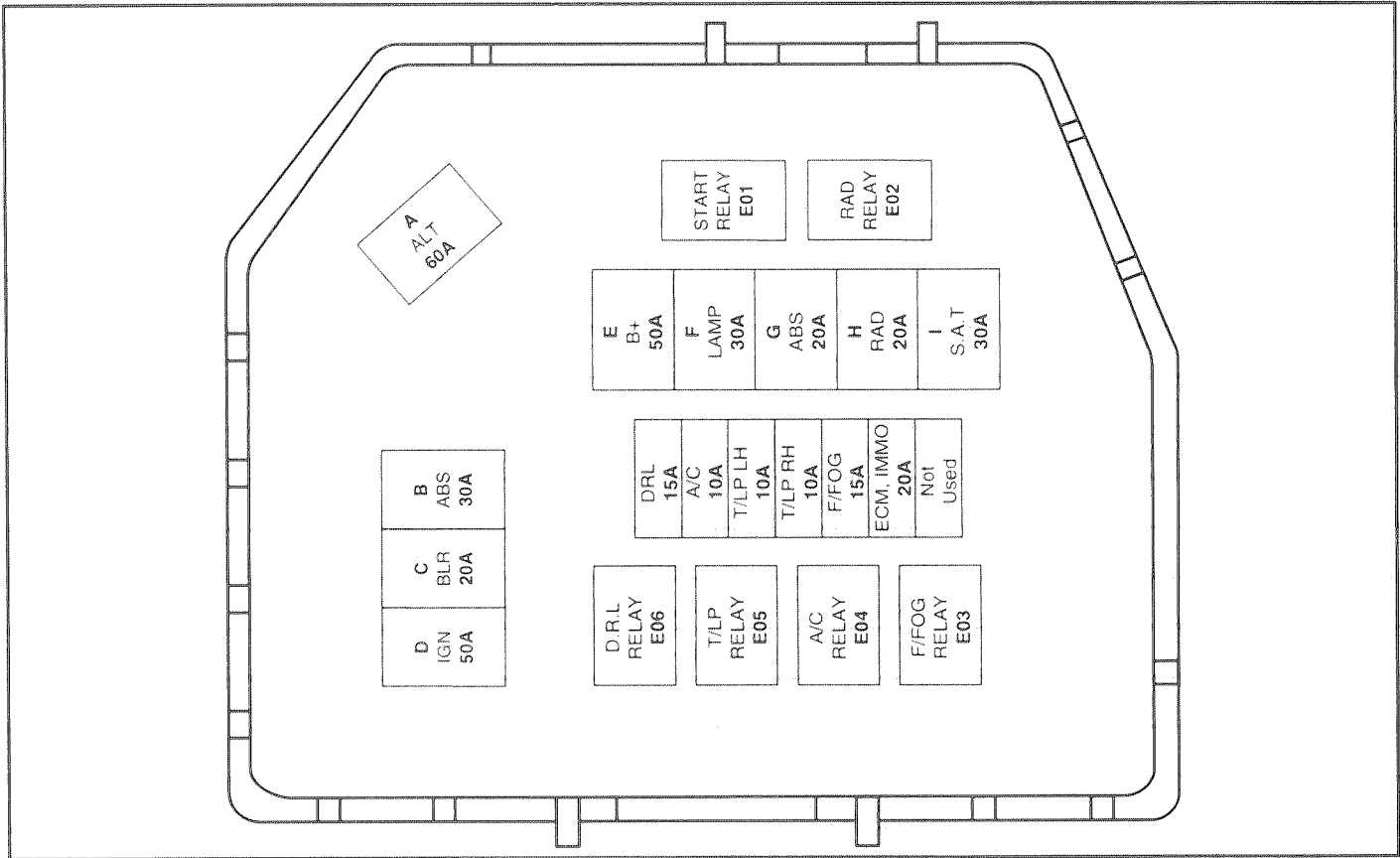
# SCHEMATIC DIAGRAMS

ACOUSTIC WARNING SYSTEM .....	SD-80
AIR BAG SYSTEM(SRS) .....	SD-112
ANTI-LOCK BRAKE SYSTEM(ABS) .....	SD-50
AUTOMATIC TRANSAXLE CONTROL SYSTEM .....	SD-42
BACK UP LAMPS .....	SD-102
BLOWER AND A/C CONTROLS .....	SD-114
BRAKE WARNING SYSTEM .....	SD-52
CHARGING SYSTEM .....	SD-32
CIGARETTE LIGHTER .....	SD-56
COOLING SYSTEM .....	SD-34
COURTESY AND LUGGAGE ROOM LAMPS .....	SD-106
DASH FUSE DETAILS .....	SD-10
DATA LINK DETAILS .....	SD-26
DAYTIME RUNNING LIGHTS .....	SD-84
DIGITAL CLOCK .....	SD-58
ENGINE CONTROL SYSTEM .....	SD-36
FRONT FOG LAMPS .....	SD-94
FUSE AND RELAY INFORMATION .....	SD-2
GROUND DISTRIBUTION .....	SD-16
HEAD LAMP LEVELING DEVICE .....	SD-88
HEAD LAMPS .....	SD-82
HORNS .....	SD-78
IGNITION SYSTEM .....	SD-28
ILLUMINATIONS .....	SD-108
IMMOBILIZER CONTROL SYSTEM .....	SD-54
INDICATORS AND GAUGES .....	SD-60
INTERMITTENT WIPER AND WASHER .....	SD-64
POWER DISTRIBUTION .....	SD-6
POWER DOOR LOCKS .....	SD-68
POWER WINDOWS .....	SD-72
REAR WINDOW DEFOGGER .....	SD-74
REAR WIPER AND WASHER .....	SD-66
REAR FOG LAMP .....	SD-96
SEAT WARMER .....	SD-70
SEMI-AUTOMATIC TRANSAXLE CONTROL SYSTEM .....	SD-46
SOUND SYSTEM .....	SD-76
STARTING SYSTEM .....	SD-30
STOP LAMPS .....	SD-104
TAIL, PARKING AND LICENSE LAMPS .....	SD-98
TURN AND HAZARD LAMPS .....	SD-90

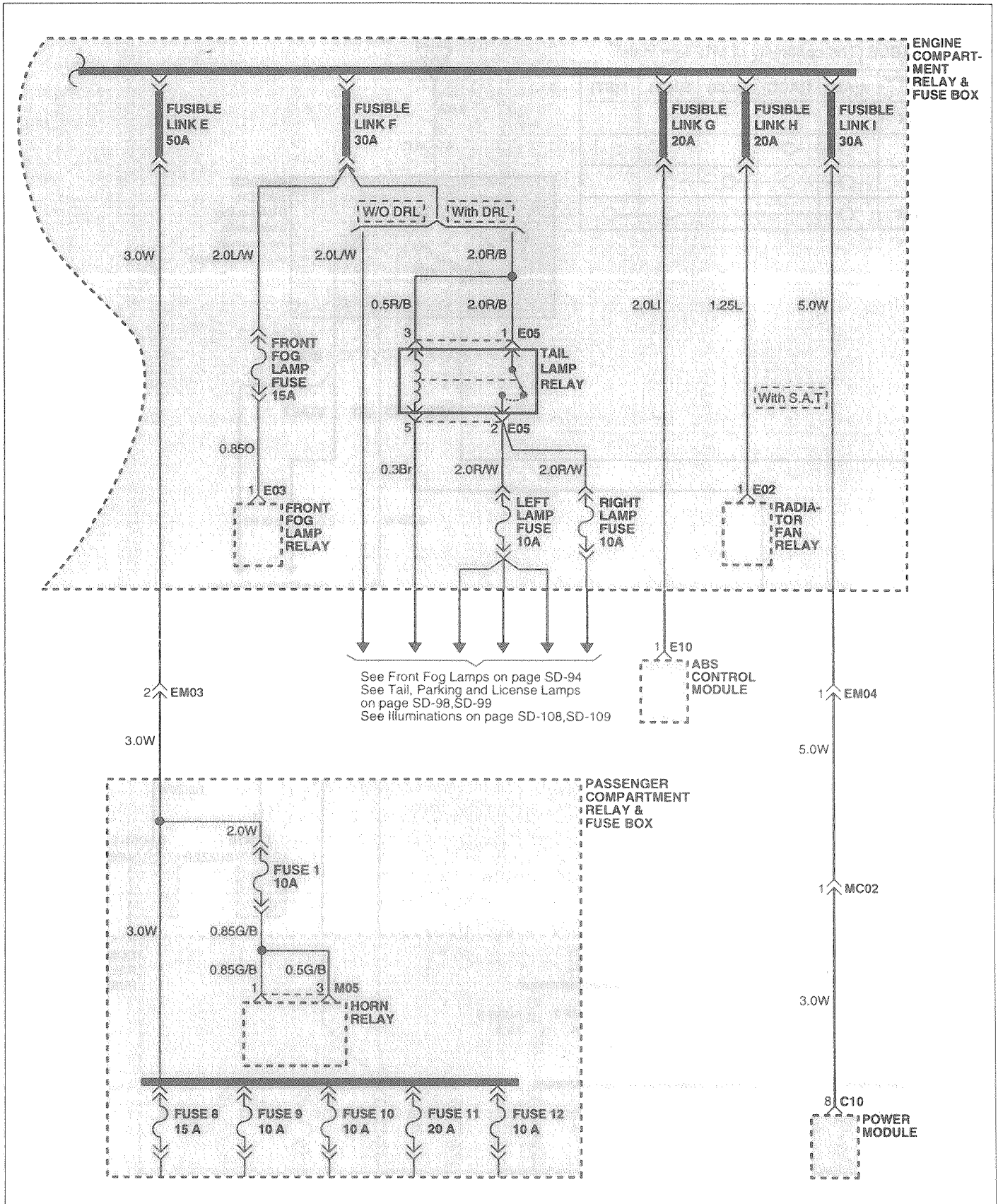


ENGINE COMPARTMENT RELAY AND FUSE BOX

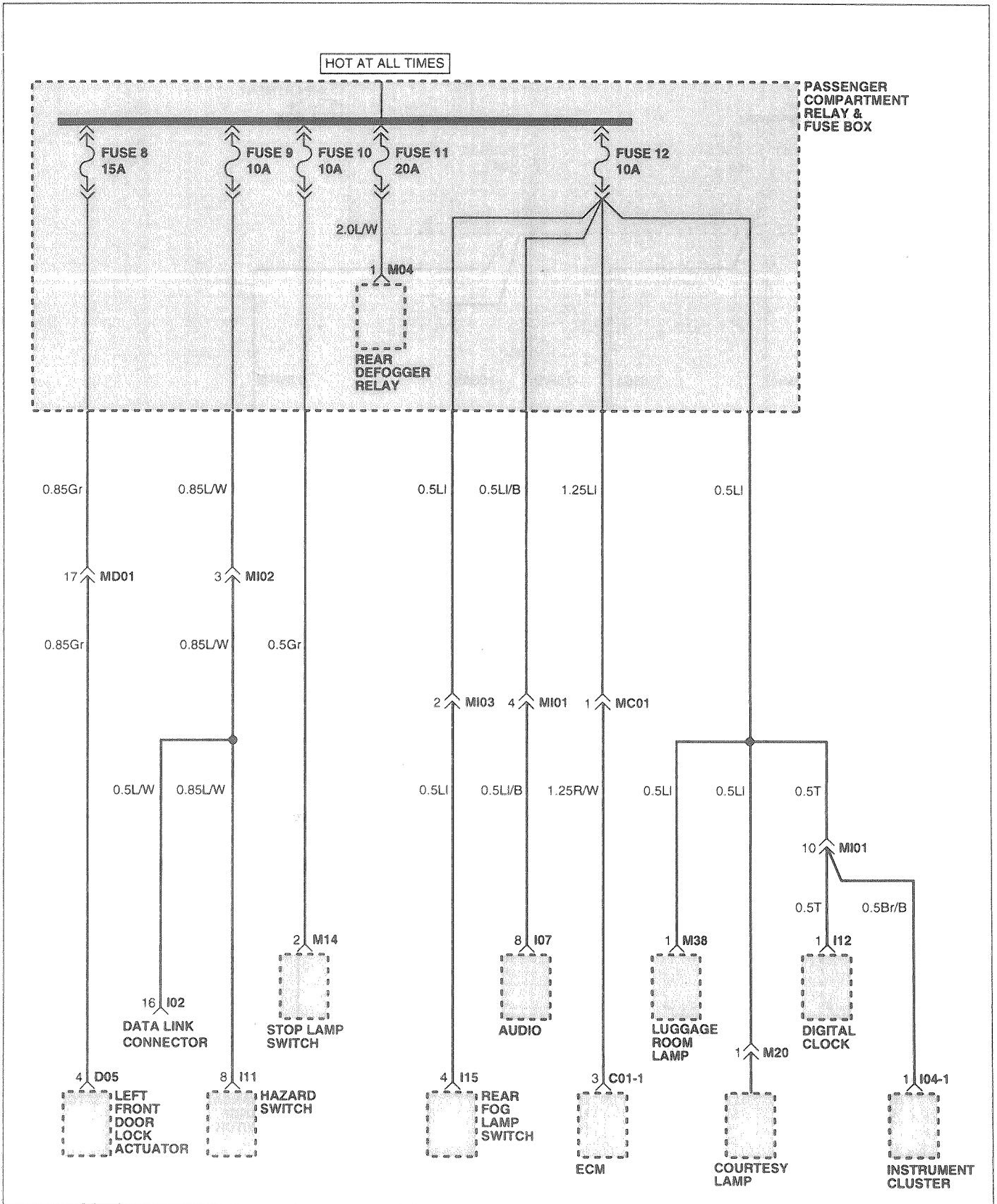
LAYOUT



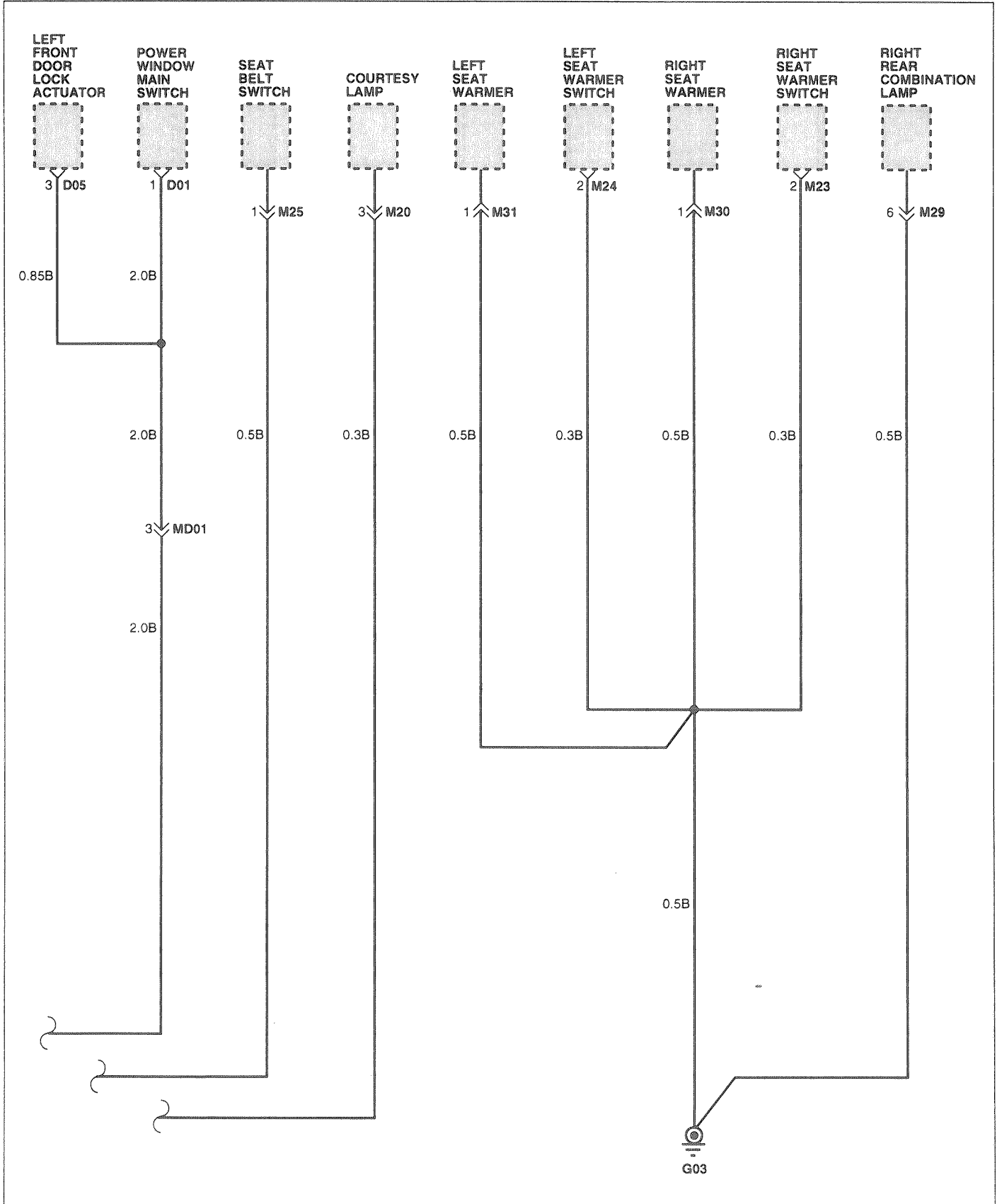
POWER DISTRIBUTION (2)



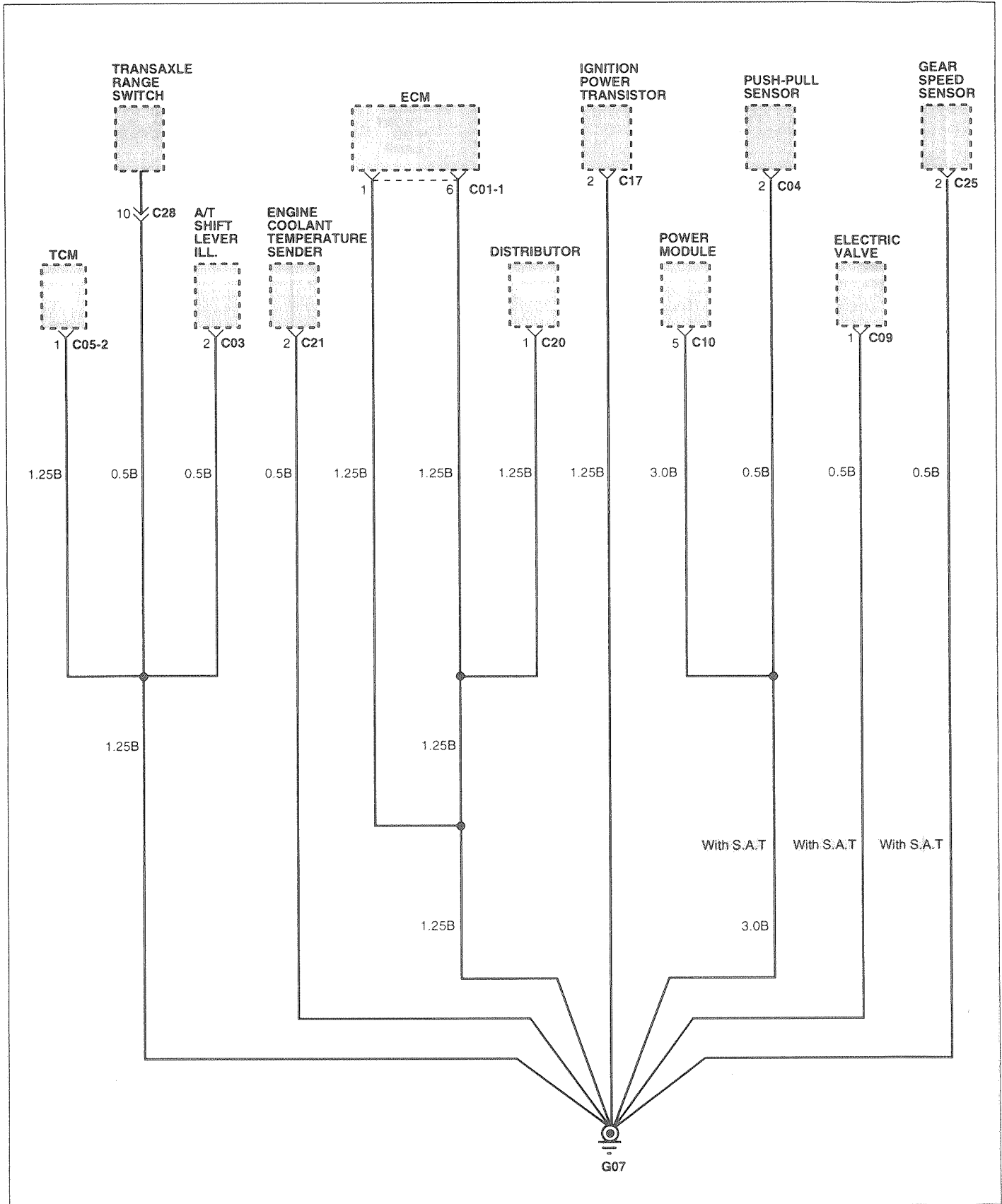
DASH FUSE DETAILS (2)



GROUND DISTRIBUTION (3)



GROUND DISTRIBUTION (7)

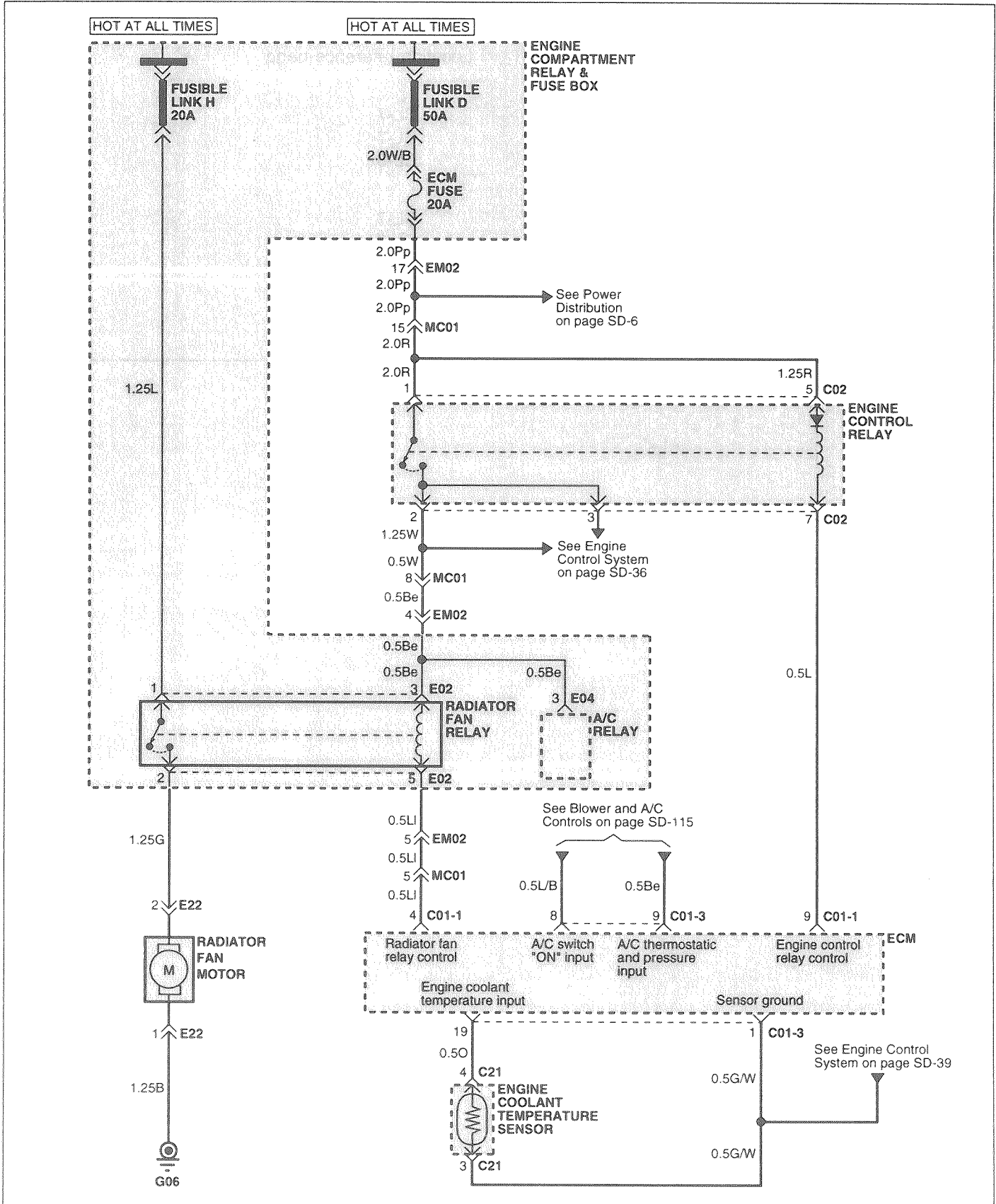


## COMPONENT LOCATION INDEX

	Location reference-page
<b>Components</b>	
C01-3 (ECM)	CL-9
C06 (SATCM)	CL-9
C28 (Transaxle range switch)	CL-10
E01 (Start relay)	CL-6
E38 (Start solenoid)	CL-7
M12 (Ignition switch)	CL-2
<b>Connectors</b>	
EE01	CL-7
EM01	CL-7
EM02	CL-7
EM03	CL-7
MC01	CL-4
<b>Grounds</b>	
G07	CL-13
G08	CL-13

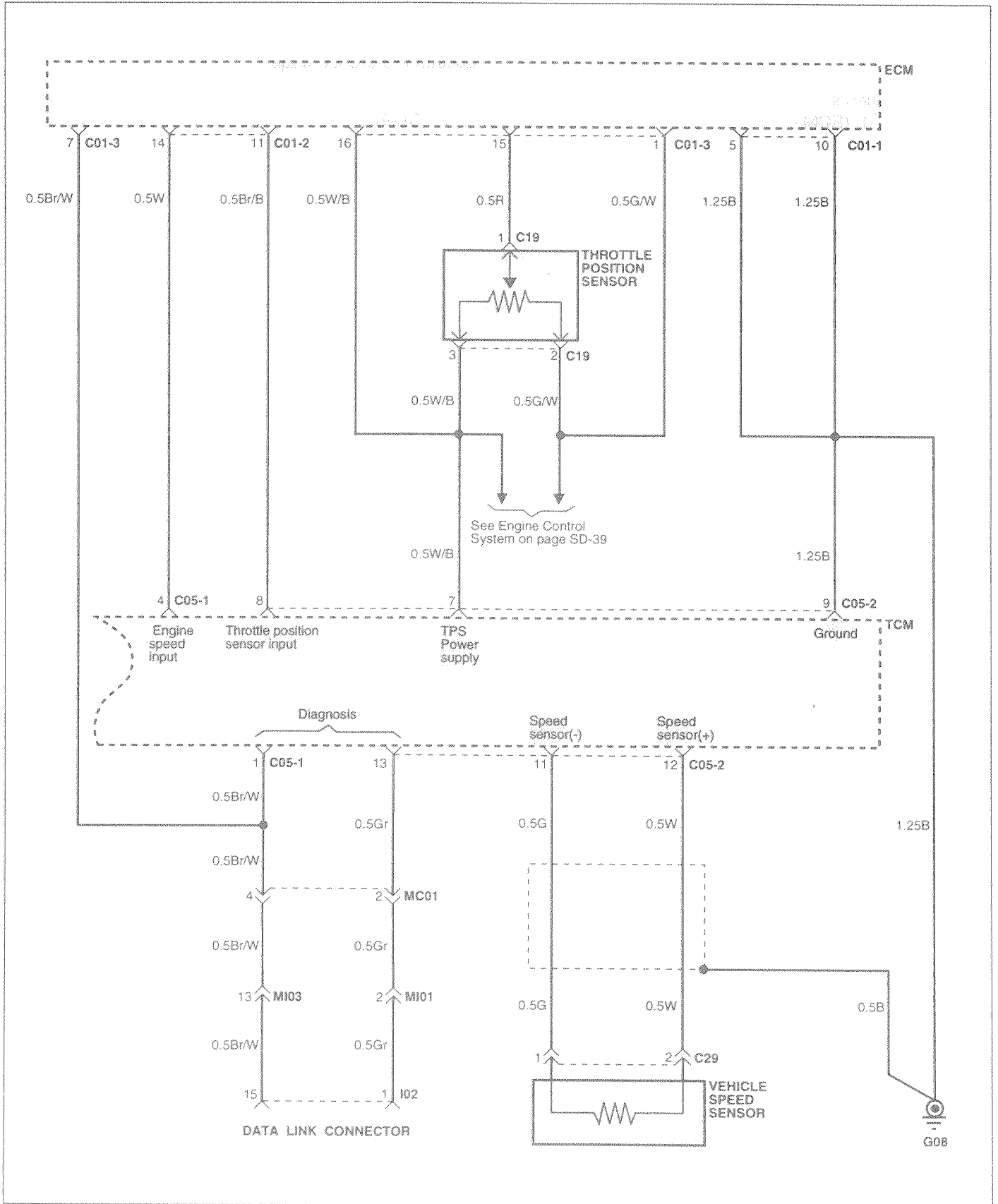
COOLING SYSTEM E2190100

COOLING SYSTEM (1)





AUTOMATIC TRANSAXLE CONTROL SYSTEM (2)



## COMPONENT LOCATION INDEX

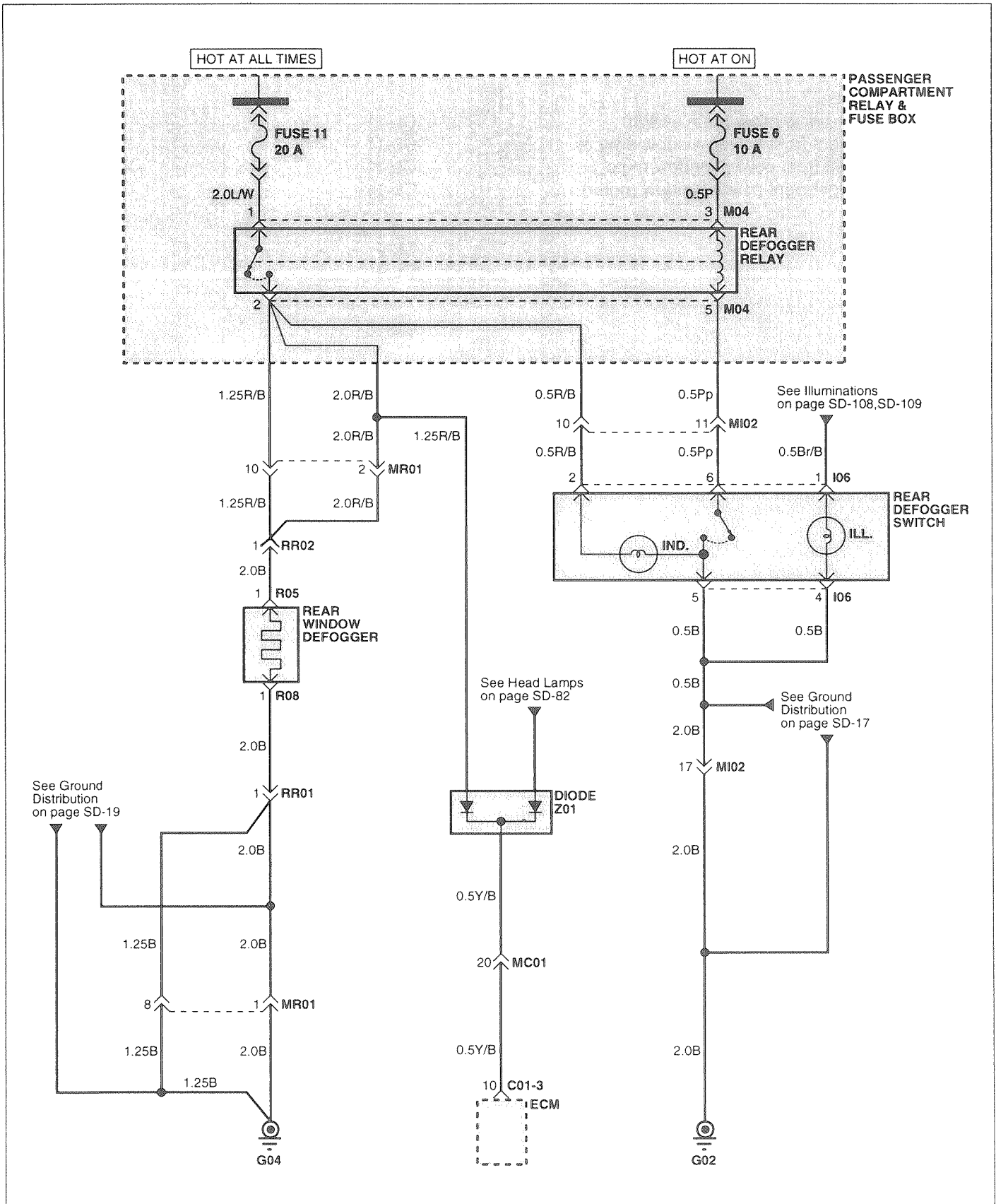
	Location reference-page
Components	
C01-3 (ECM)	CL-9
I02 (Data link connector)	CL-8
Connectors	
EM02	CL-7
MC01	CL-4
MI03	CL-4
Grounds	
G02	CL-13



REAR WINDOW DEFOGGER

E2190250

REAR WINDOW DEFOGGER (1)



## COMPONENT LOCATION INDEX

	Location reference-page
Components	
C01-3 (ECM)	CL-9
E20 (Left head lamp)	CL-6
E30 (Right head lamp)	CL-7
I04-1 (Instrument cluster)	CL-8
M11-1 (Multifunction switch)	CL-2
Connectors	
EM02	CL-7
MC01	CL-4
MI01	CL-4
MI02	CL-4
Grounds	
G02	CL-13
G05	CL-13
G06	CL-13
Diodes	
Z01	CL-14

## COMPONENT LOCATION INDEX

	Location reference-page
Components	
E21 (Left head lamp leveling actuator)	CL-6
E29 (Right head lamp leveling actuator)	CL-7
I03 (Head lamp leveling switch)	CL-8
M11-1 (Multifunction switch)	CL-2
Connectors	
EM01	CL-7
EM02	CL-7
MI02	CL-4
MI03	CL-4
Grounds	
G02	CL-13

# REAR FOG LAMP

E2190350

## REAR FOG LAMP (1)

