
13.1 Fuses and relays 2

13.2 Layout of harnesses and their connectors 8

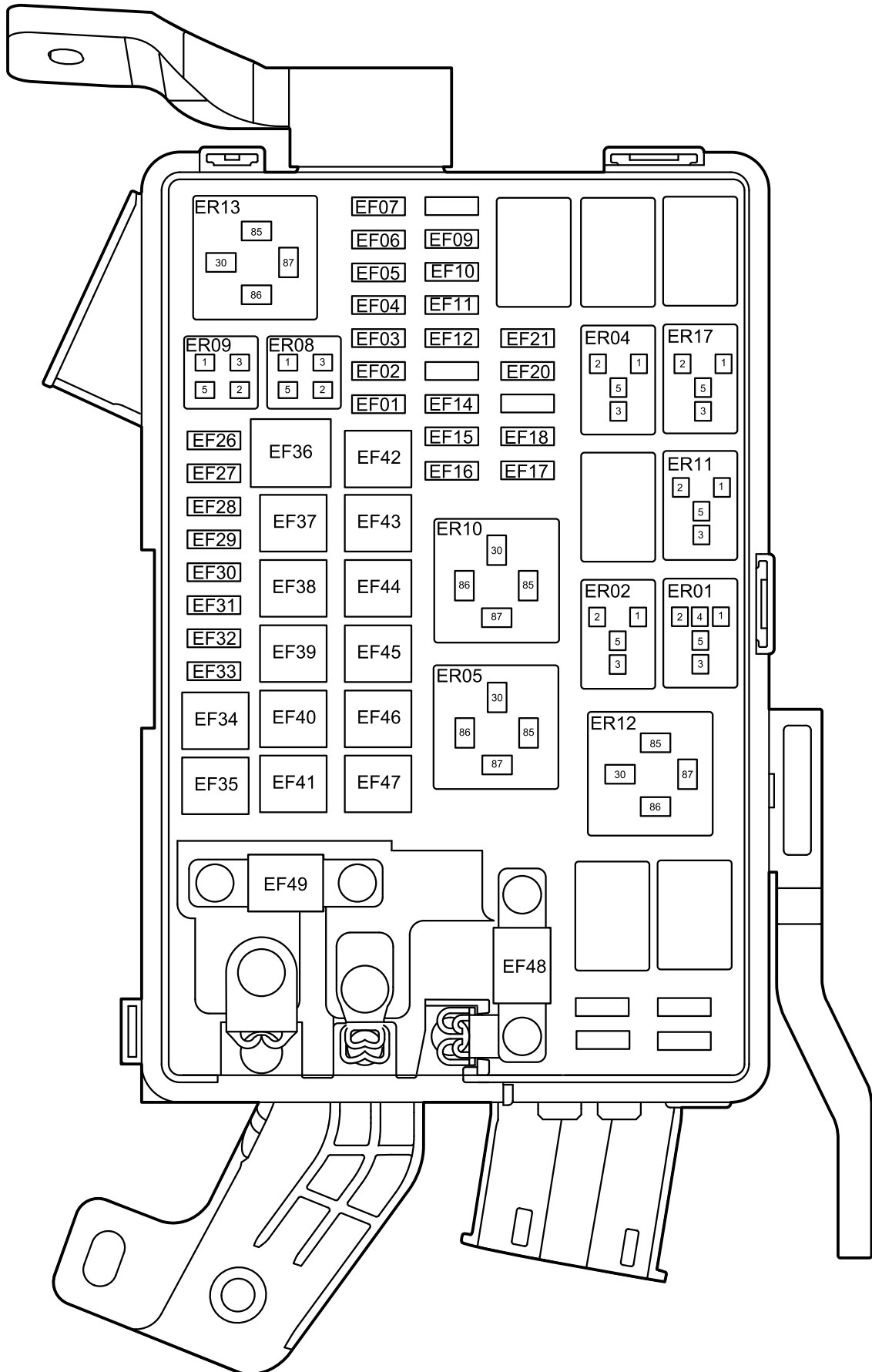
13.3 Grounding layout drawing..... 150

13.4 Point layout drawing 155

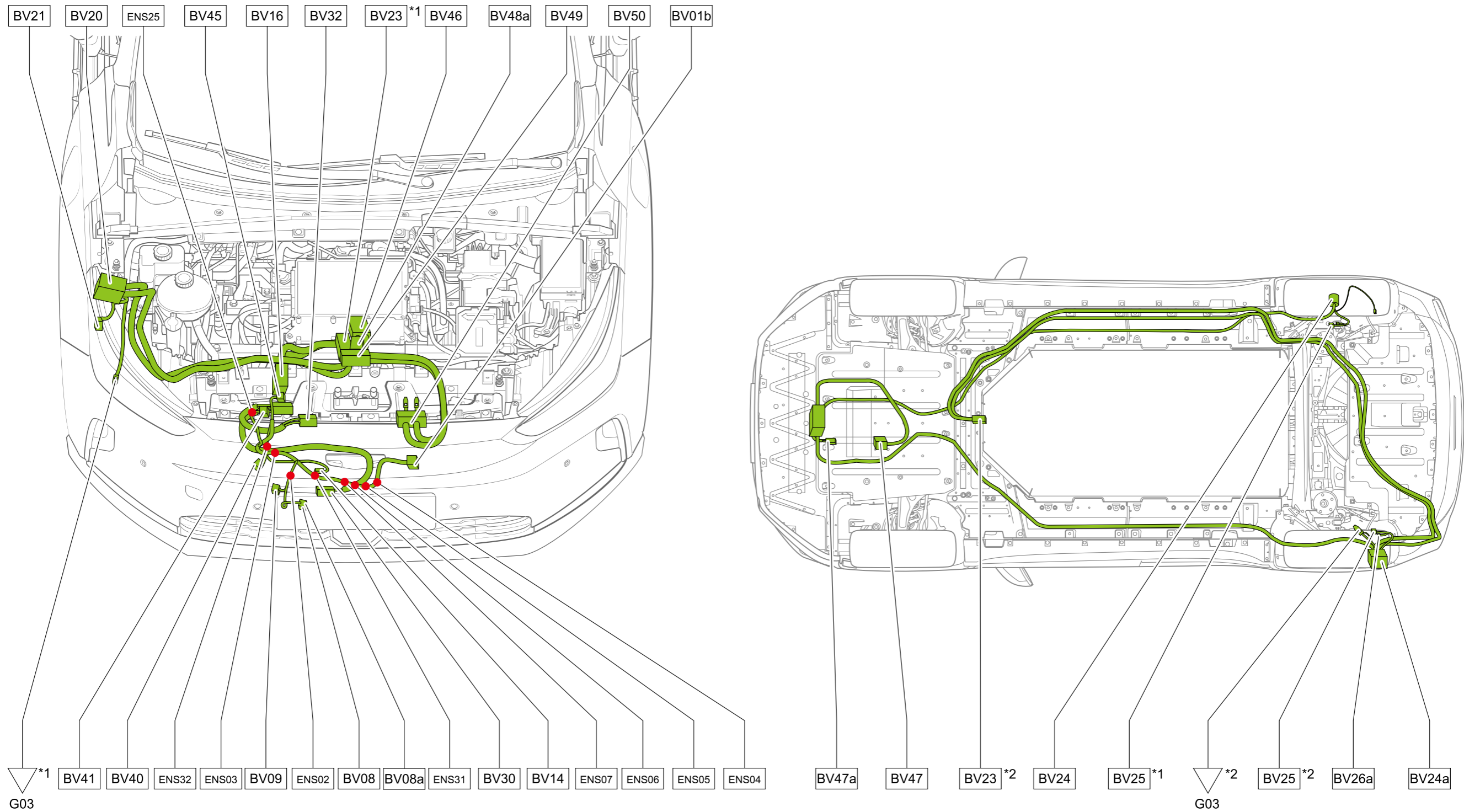
13.5 Power supply layout drawing..... 159

13.6 System circuit diagram 161

Front engine compartment fuse and relay box



Power harness layout drawing

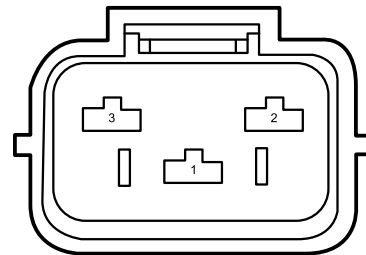


*1: Domestic model
 *2: Overseas model

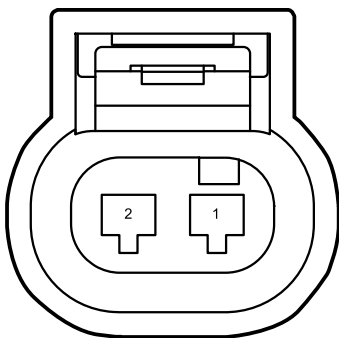
Pin	Functions	Note
4	High beam light power supply	-
5	Low beam light/high beam light grounding	-
6	Low beam light power supply	-
7	Position light/turn signal light/daytime running light grounding	-
8	Turn signal light power supply	-
9	Daytime running lights power supply	-
10	Position light power supply	-
11	Turn signal light signal	-
12	Turn signal light diagnosis signal	-
13	Courtesy signal	-
14	Turn signal light dynamic lighting signal	-

Pin	Functions	Note
1	B+Power supply	-
2	Relay power supply	-
3	Fan control signal	-
4	Grounding	-

CA30p Cooling fan harness connector (for non-heat pump system model)



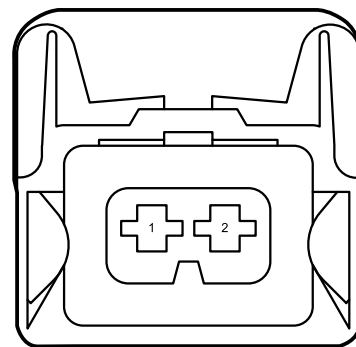
CA27 Left front impact sensor harness connector



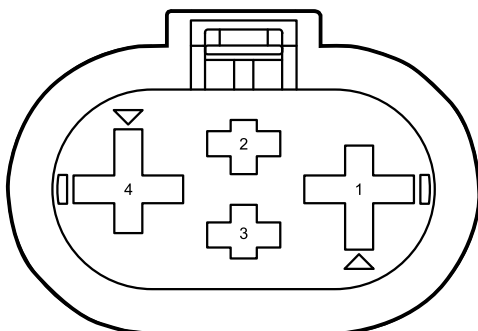
Pin	Functions	Note
1	Grounding	-
2	Low Gear	-
3	High Gear	-

Pin	Functions	Note
1	Signal positive	-
2	Signal negative	-

CA33 Left horn harness connector



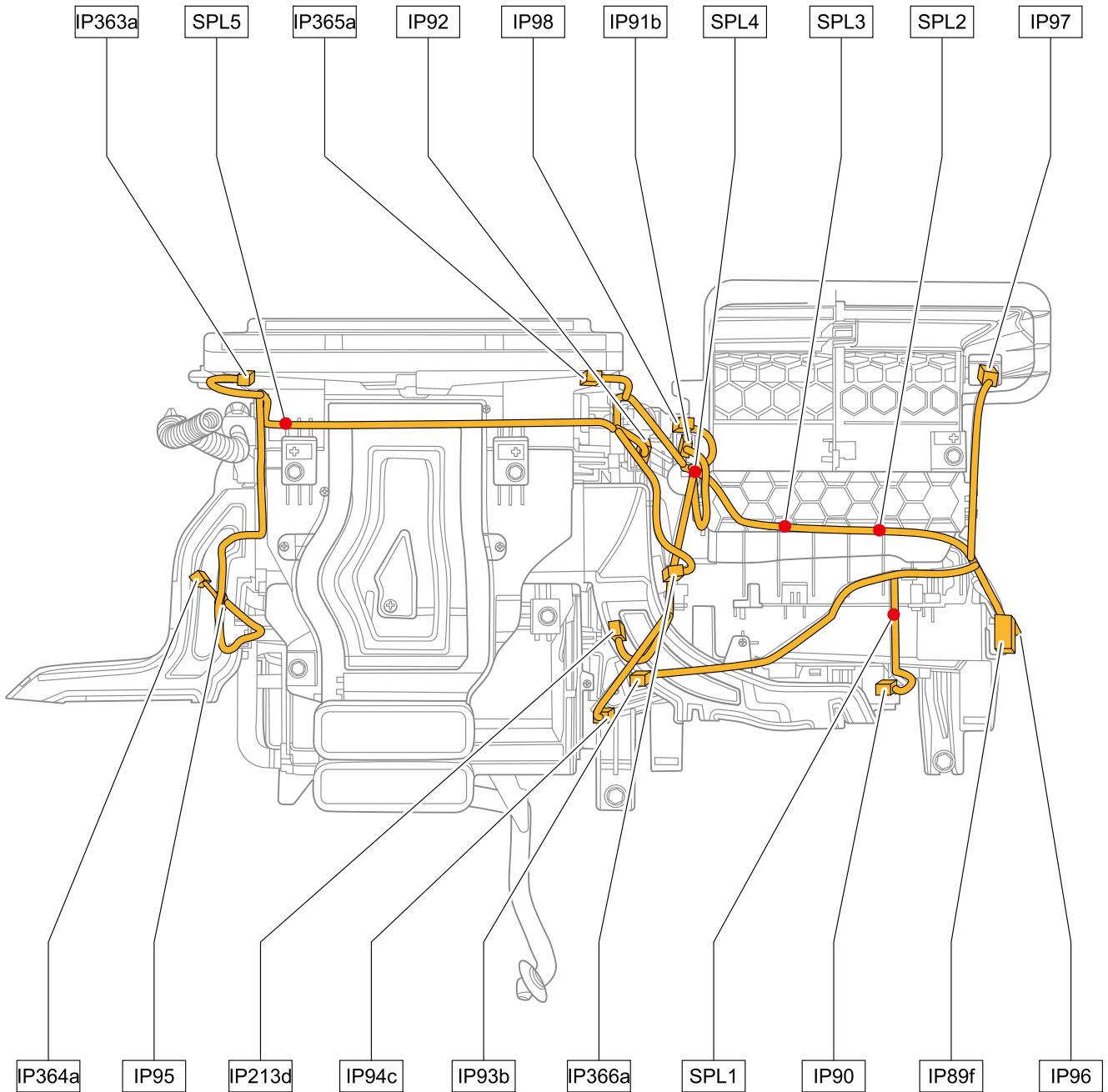
CA30 Cooling fan harness connector (for heat pump system model)



Pin	Functions	Note
1	Power supply	-
2	Grounding	-

CA34 Right horn harness connector

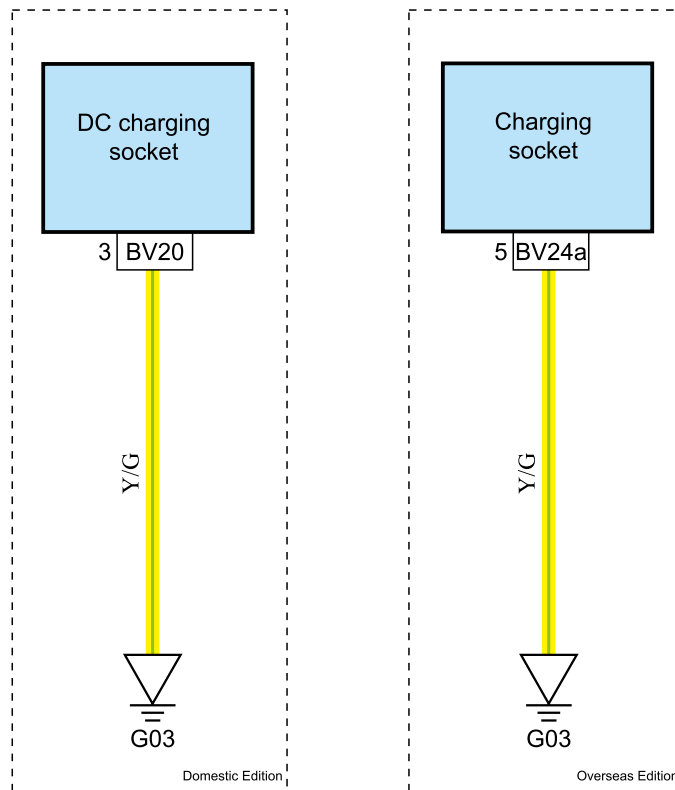
A/C harness layout drawing



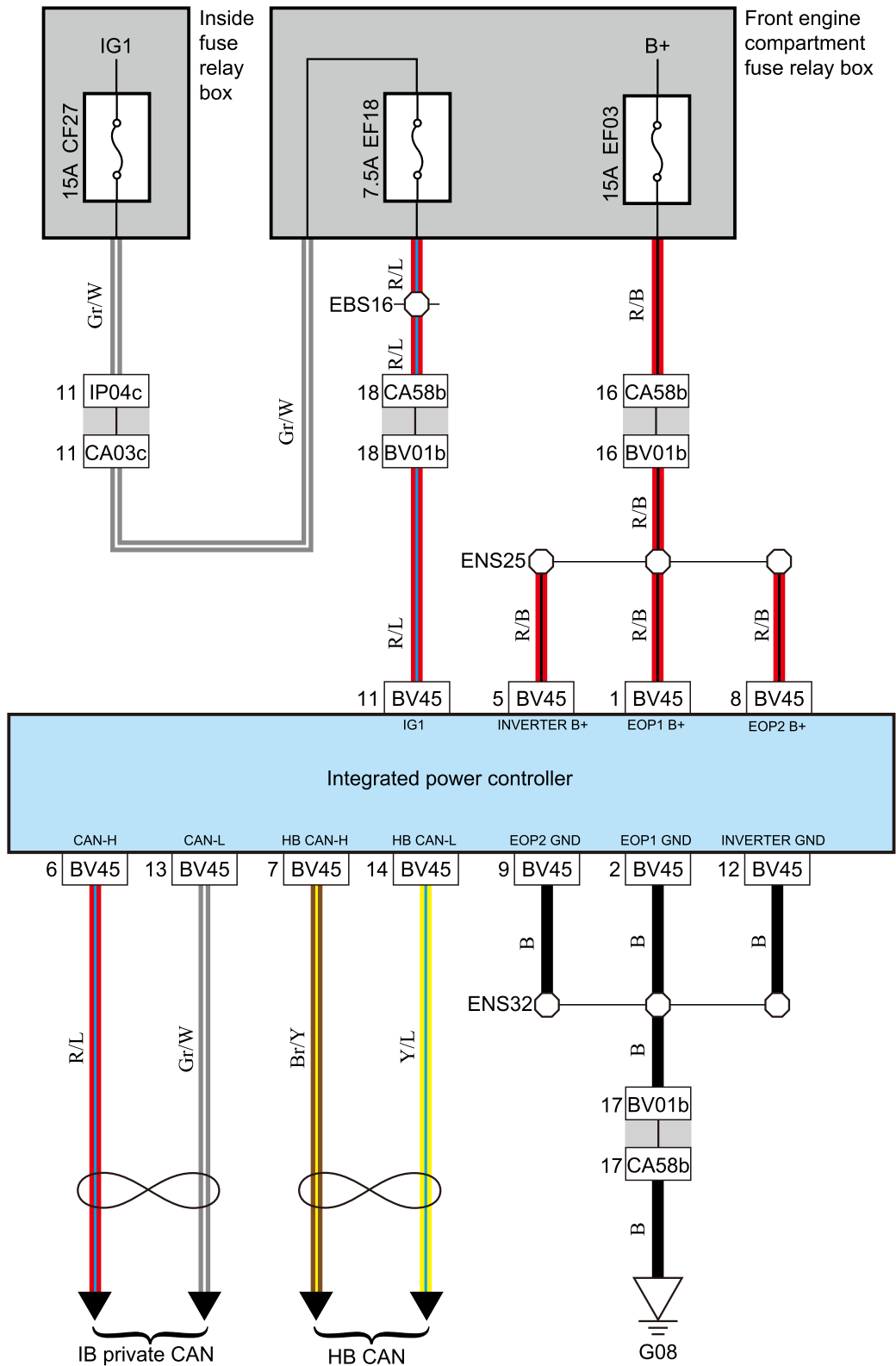
Seat harness connector list

Harness connector	Name	Harness connector	Name
SO63f	Driver seat adjustment switch harness connector	SO289	Front passenger seat harness to floor harness connector
SO64e	Front passenger seat adjustment switch harness connector	SO291	Front passenger seat sliding chute motor harness connector
SO71e	Driver seat heating harness connector	SO293a	Front passenger seat harness to front passenger backrest harness connector (overseas)
SO72e	Front passenger seat heating harness connector	SO293c	Front passenger seat harness to front passenger backrest harness connector (domestic)
SO140a	Driver seat harness to floor harness connector 1	SO294a	Front passenger backrest harness to front passenger seat harness connector (overseas)
SO142a	Driver seat sliding chute motor harness connector	SO294c	Front passenger backrest harness to front passenger seat harness connector (domestic)
SO143	Driver seat motor harness connector	SO296	Front passenger seat angle adjuster motor harness connector
SO146	Driver seat angle adjuster motor harness connector	SO303b	Driver seat heating module harness connector
SO287	Driver seat harness to driver backrest harness connector (domestic)	SO351b	Driver seat cushion fan harness connector
SO287e	Driver seat harness to driver backrest harness connector (overseas)	SO352b	Driver seat backrest fan harness connector
SO288	Driver backrest harness to driver seat harness connector (domestic)	SO353b	Front passenger seat cushion fan harness connector
SO288e	Driver backrest harness to driver seat harness connector (overseas)	SO354b	Front passenger seat backrest fan harness connector

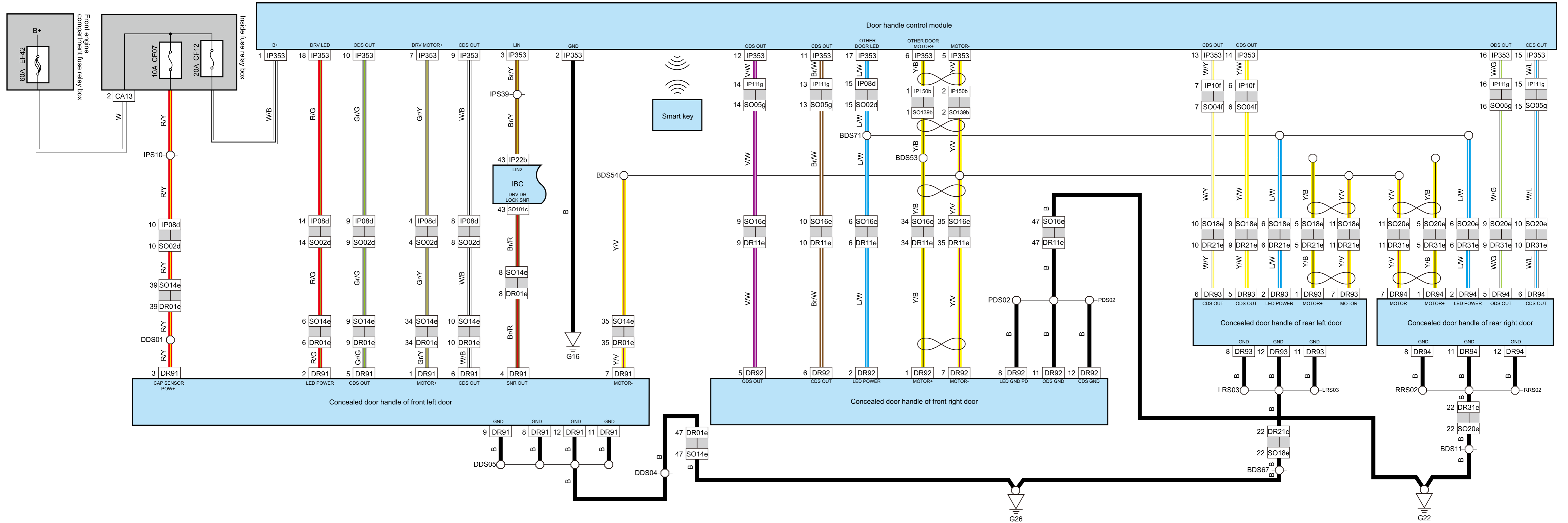
Power harness grounding



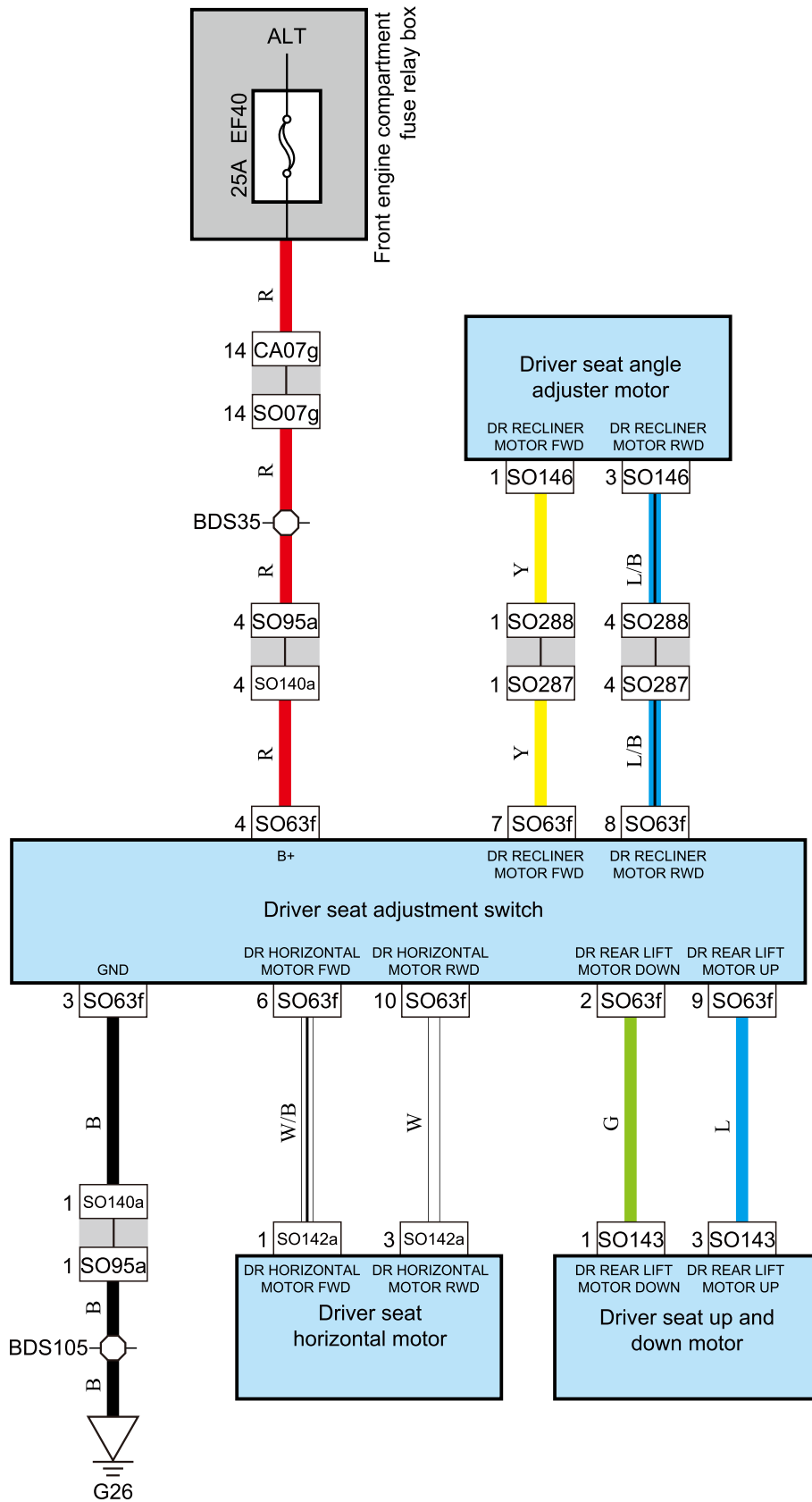
Integrated power control system



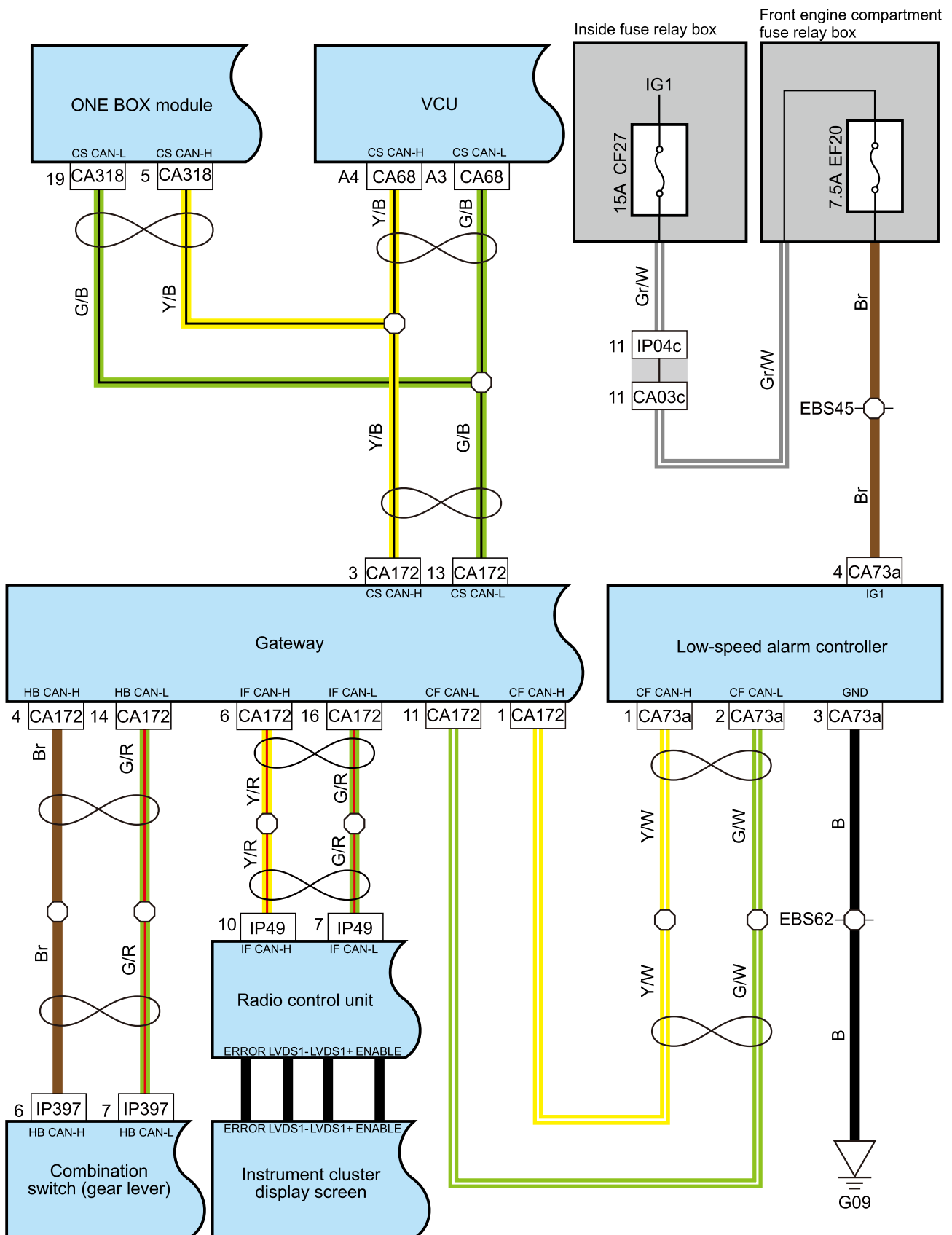
Concealed door handle



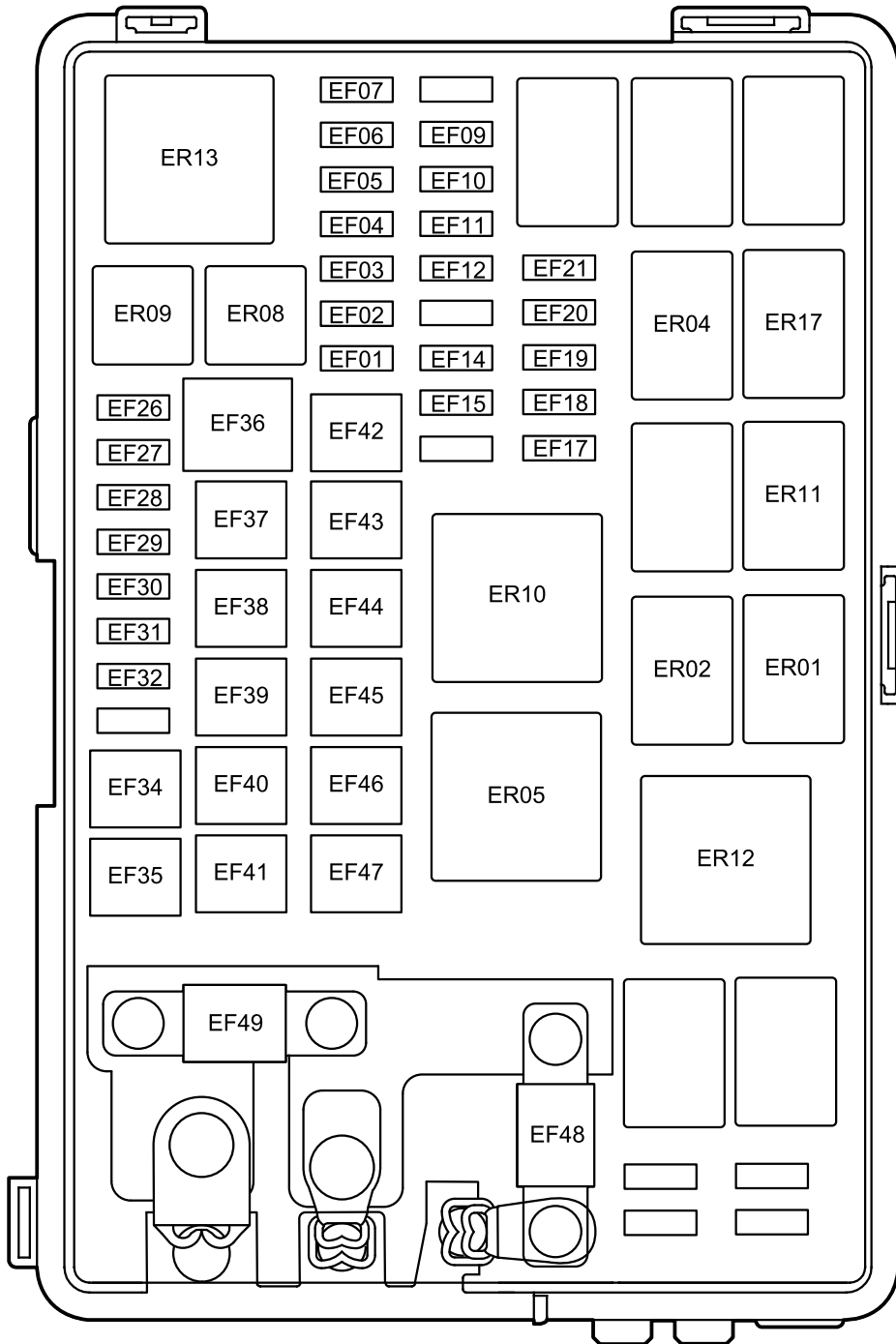
Power seat (non-seat memory model)



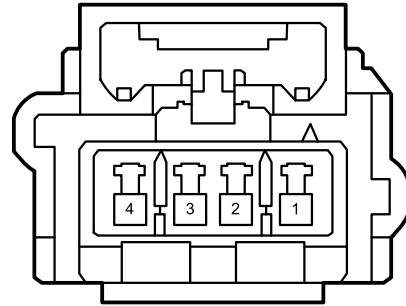
Low-speed alarm



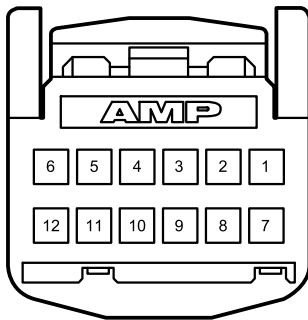
Information of front engine compartment fuse and relay box



Pin-ning	Functions	Note
9	High beam lamp switch signal	-
10	High/low beam switch signal	-
11	Left turn switch signal	-
12	Turn signal switch grounding	-
13	Right turn switch signal	-

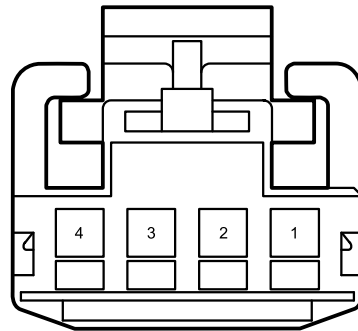


IP39 Clock spring harness connector A



Pin-ning	Functions	Note
1	Driver front airbag positive	-
2	Driver front airbag negative	-
3	Horn relay control	-
4	-	-

IP41 Steering angle sensor harness connector

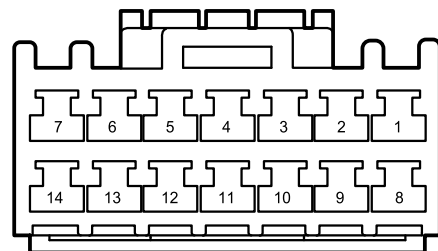


Pin-ning	Functions	Note
1	-	-
2	Cruise switch signal	-
3	Cruise switch grounding	-
4	Cruising Setting Signal	-
5	-	-
6	-	-
7	-	-
8	Backlight lamp power supply	-
9	Backlight lamp grounding	-
10	Right Multi-media Switch Positive	-
11	Multimedia switch grounding	-
12	Left Multi-media Switch Positive	-

Pin-ning	Functions	Note
1	Ground connection	-
2	IG1 power supply	-
3	CS CAN-H	-
4	CS CAN-L	-

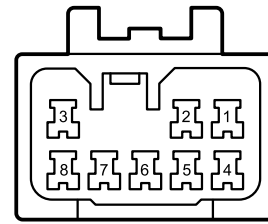
IP42 wiper combination switch harness connector

IP40 Clock spring harness connector B

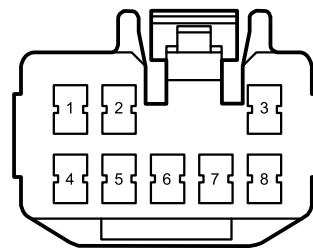


Pin-ning	Functions	Note
12	Right Front Dead Zone Probe Signal	-
13	-	-
14	-	-
15	-	-
16	-	-
17	-	-
18	CS CAN-L	-
19	ACC power supply	-
20	Ground connection	-
21	-	-
22	-	-
23	-	-
24	-	-
25	Front Passenger Side Blind Spot Monitoring Indicator Lamp Positive	-
26	Blind Spot Monitoring Indicator Lamp Negative	-
27	Rear reverse radar probe power supply	-
28	Left Rear Dead Zone Probe Signal	-
29	Left, central and rear reverse radar probe signal	-
30	Right rear reverse radar probe signal	-
31	Front Reverse Radar Probe Power Supply	-
32	Left Front Dead Zone Probe Signal	-
33	-	-
34	-	-
35	-	-
36	-	-
37	-	-
38	CS CAN-H	-
39	-	-
40	B+ Power supply	-

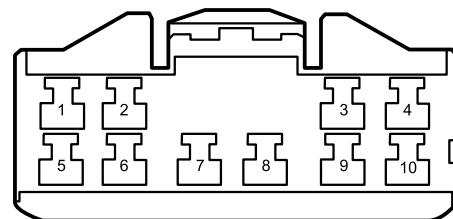
SO252b Rear Back Door Harness -License Plate Lamp Harness Connector



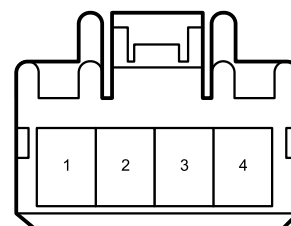
So253b harness connector of base plate harness connecting with backdoor



SO280 Base plate harness connects to front passenger seat harness connector



SO287 harness connector of driver seat harness connecting with base plate



Air Purifier

Interior fuse and relay box

