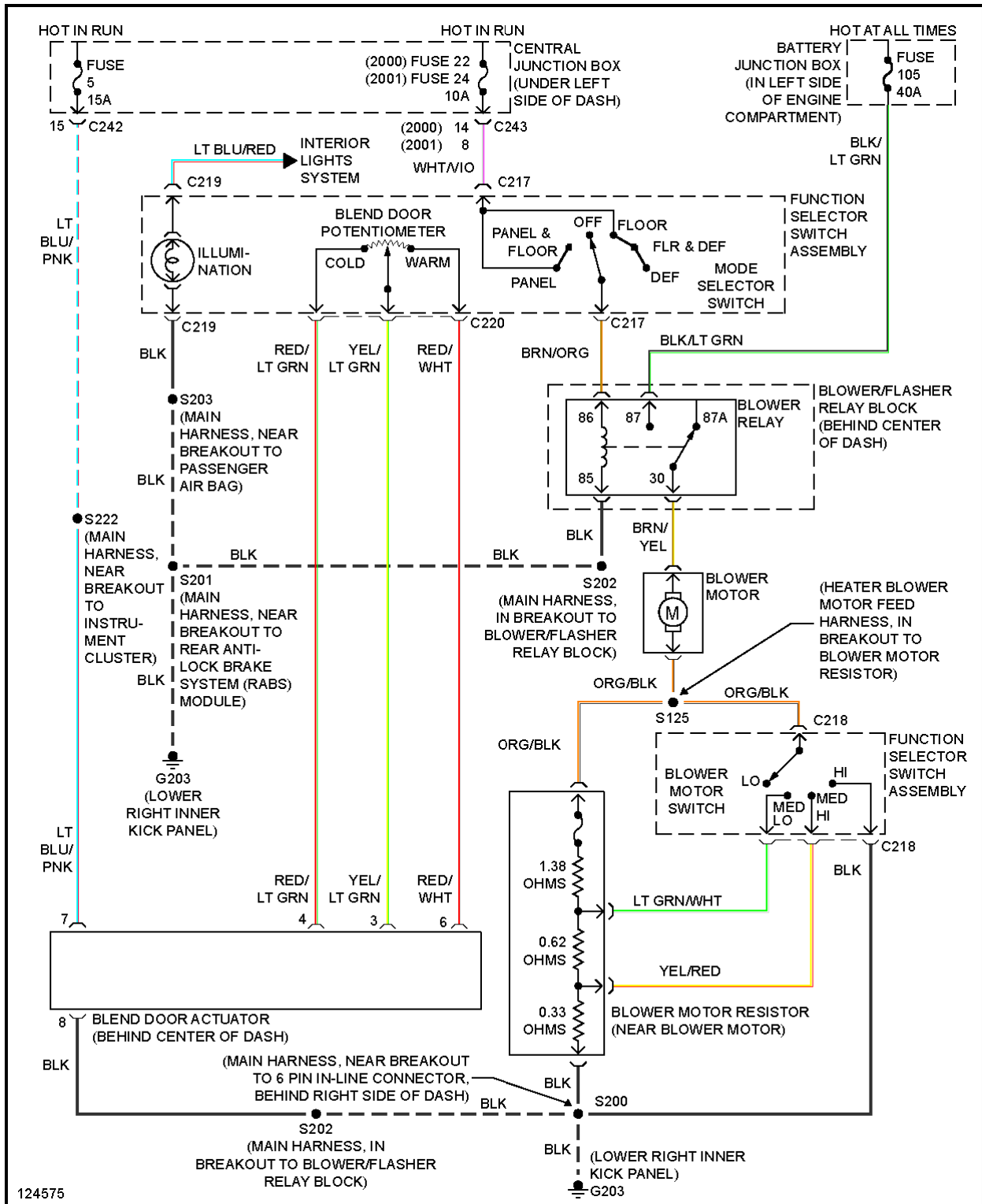


# 2000 Ford Pickup F150

## 2000 System Wiring Diagrams Ford - Pickup F150

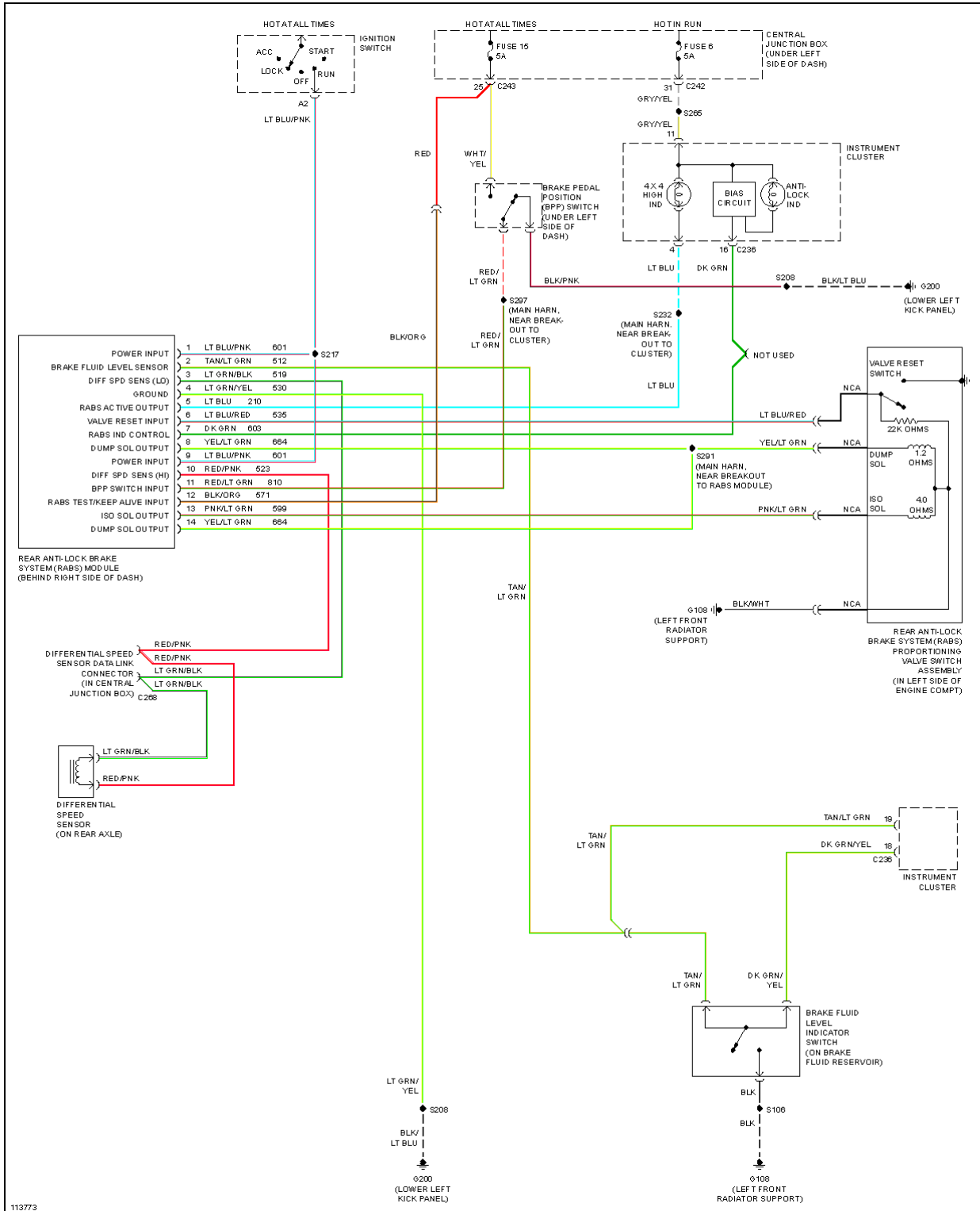


**Fig. 2: Manual A/C Circuit**

**ANTI-LOCK BRAKES**

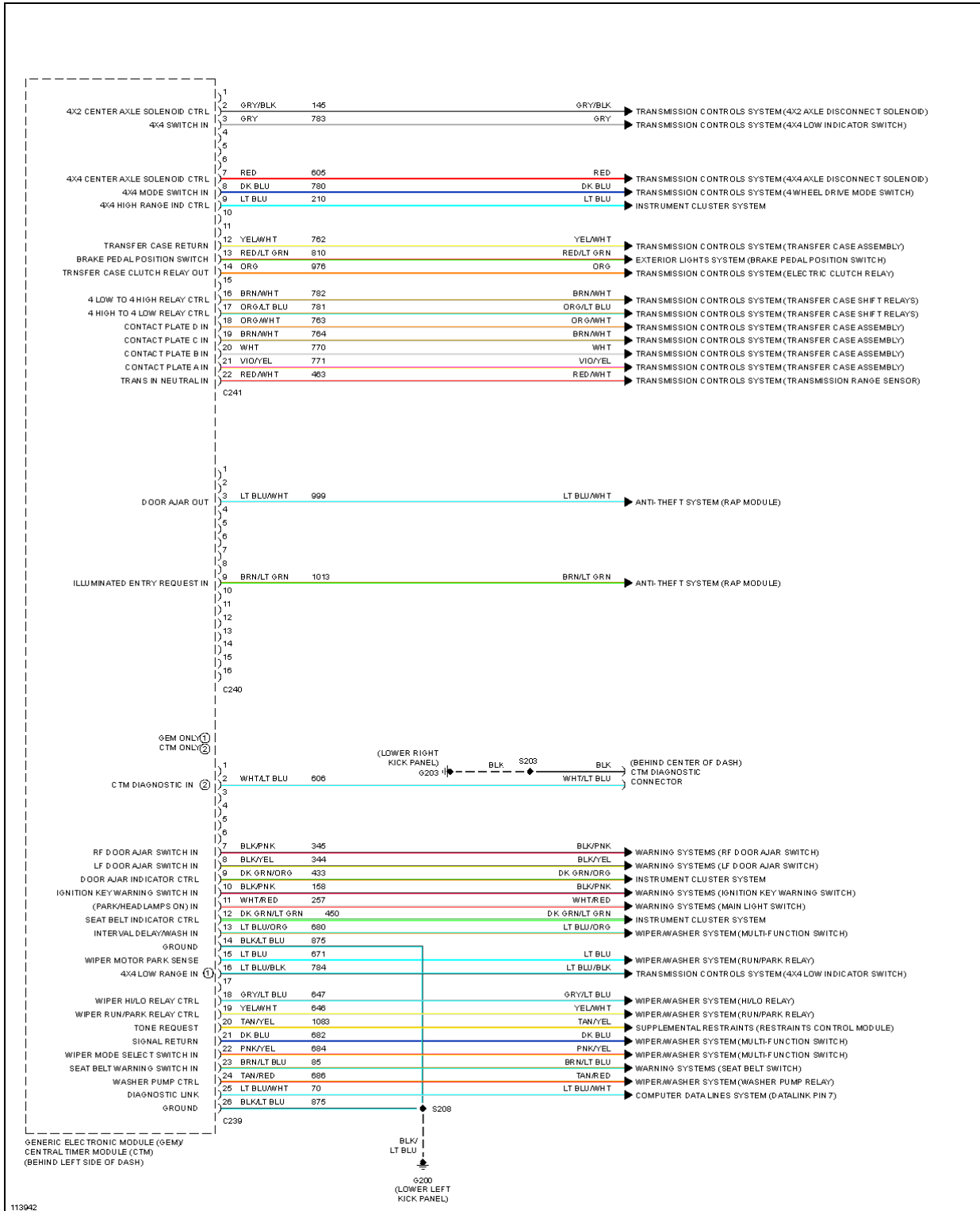
# 2000 Ford Pickup F150

## 2000 System Wiring Diagrams Ford - Pickup F150



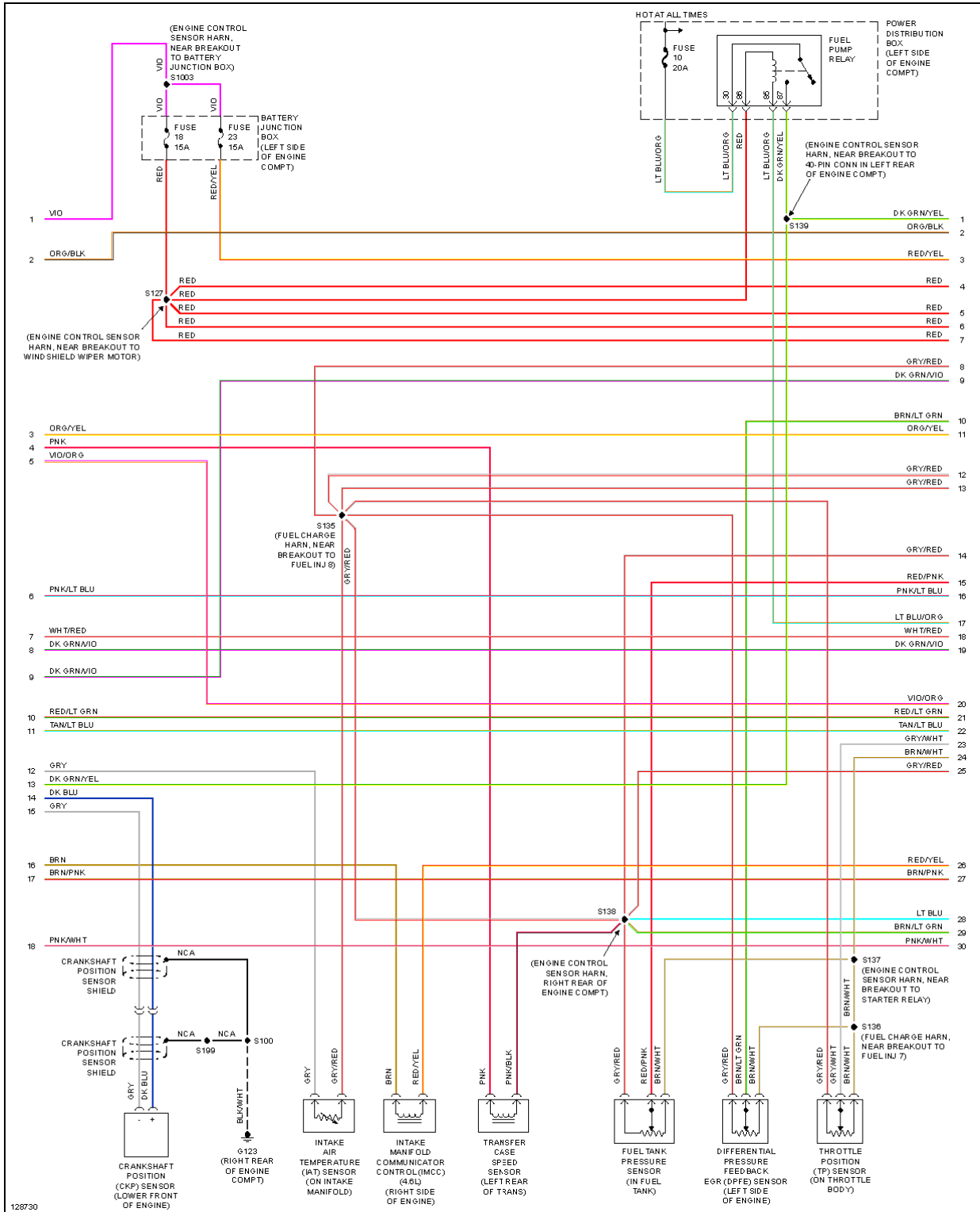
# 2000 Ford Pickup F150

## 2000 System Wiring Diagrams Ford - Pickup F150



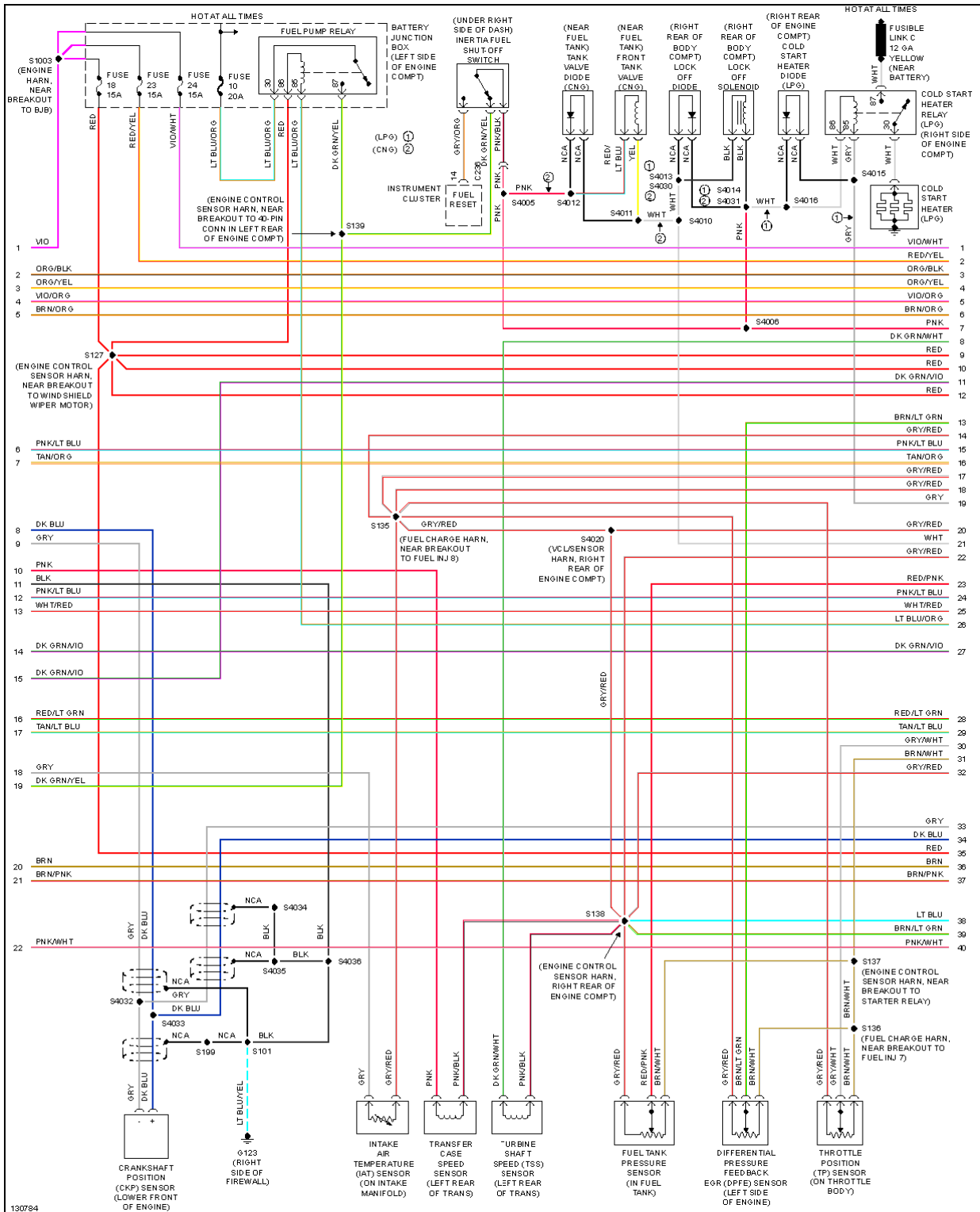
# 2000 Ford Pickup F150

## 2000 System Wiring Diagrams Ford - Pickup F150



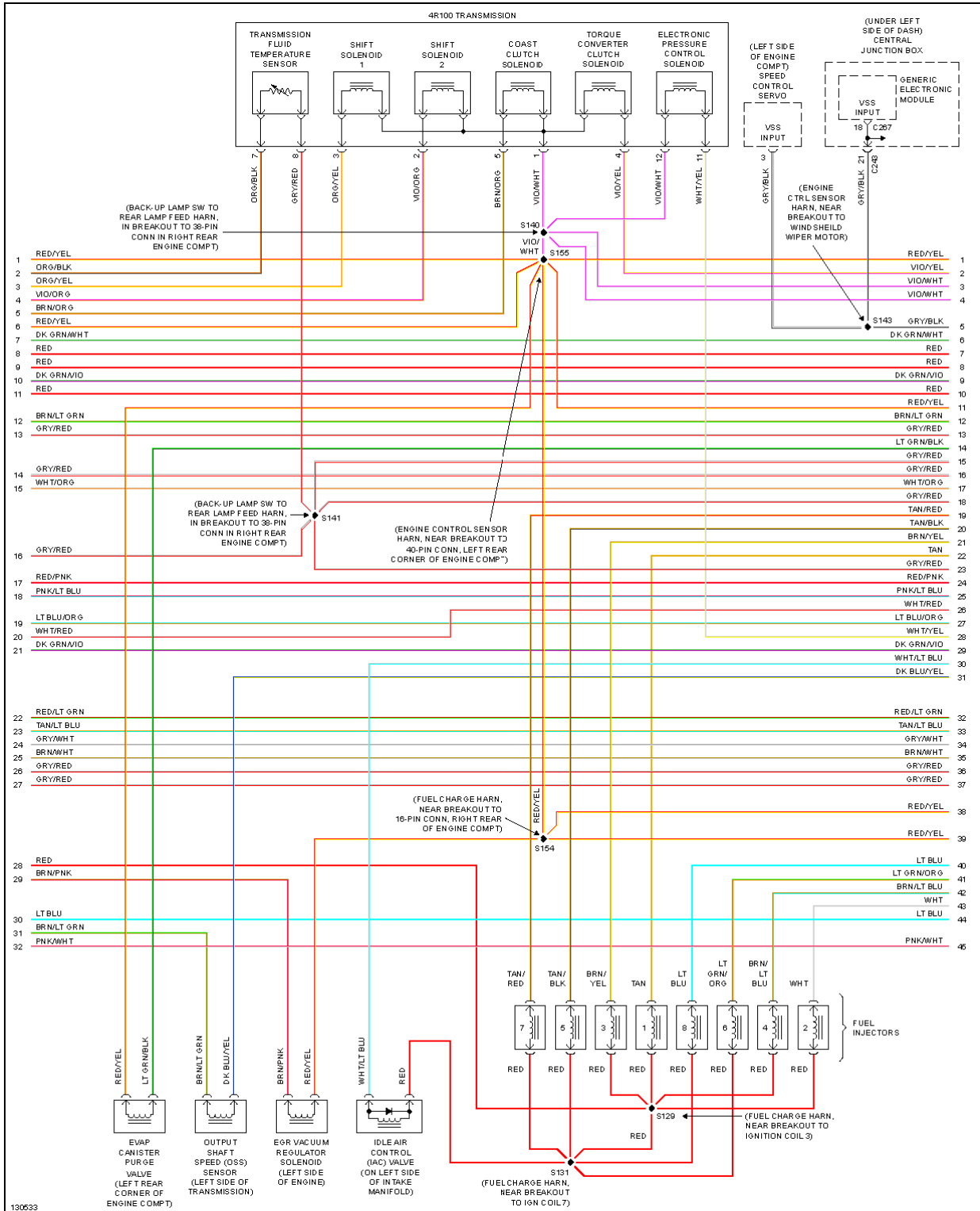
# 2000 Ford Pickup F150

## 2000 System Wiring Diagrams Ford - Pickup F150



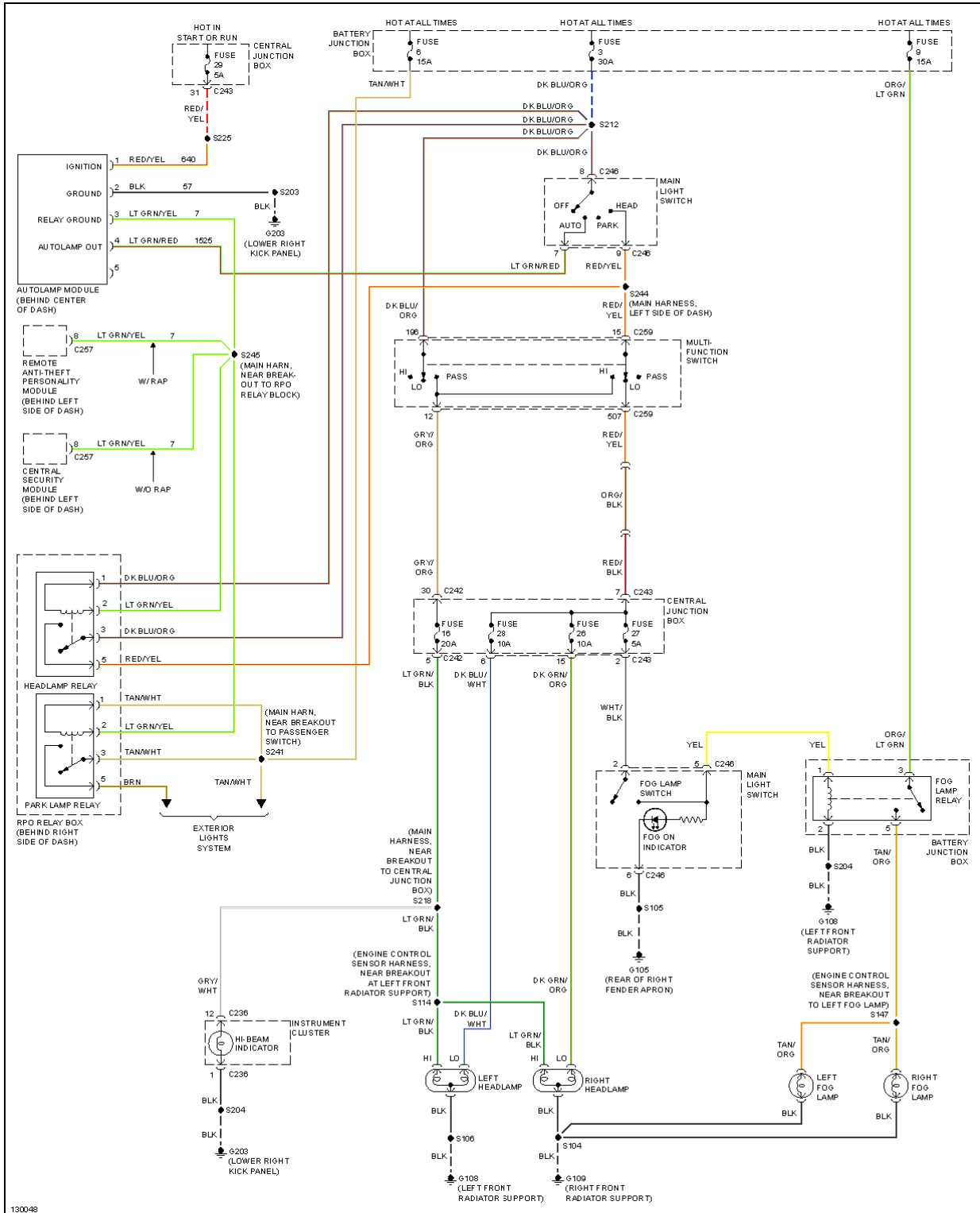
# 2000 Ford Pickup F150

## 2000 System Wiring Diagrams Ford - Pickup F150



# 2000 Ford Pickup F150

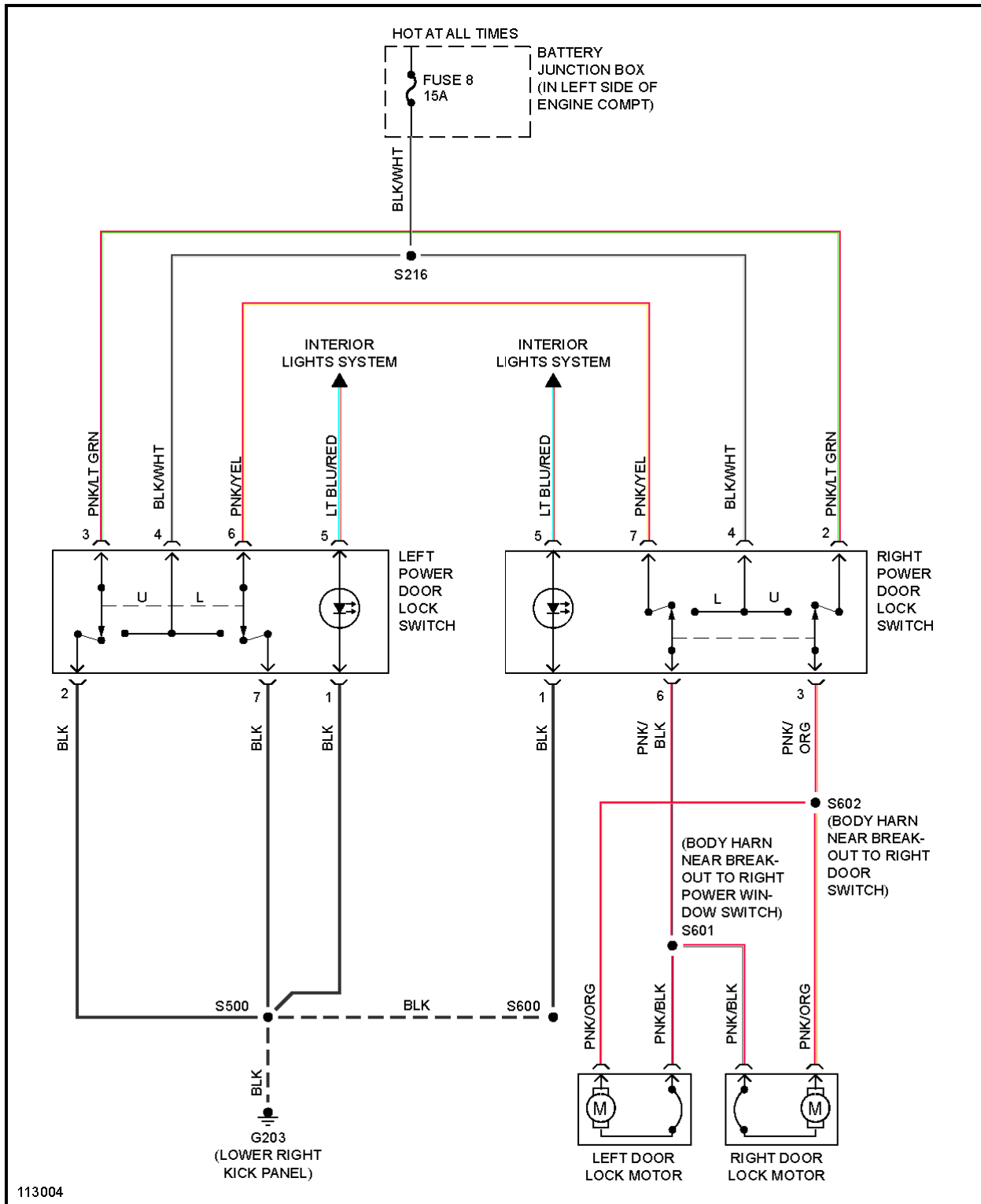
## 2000 System Wiring Diagrams Ford - Pickup F150





# 2000 Ford Pickup F150

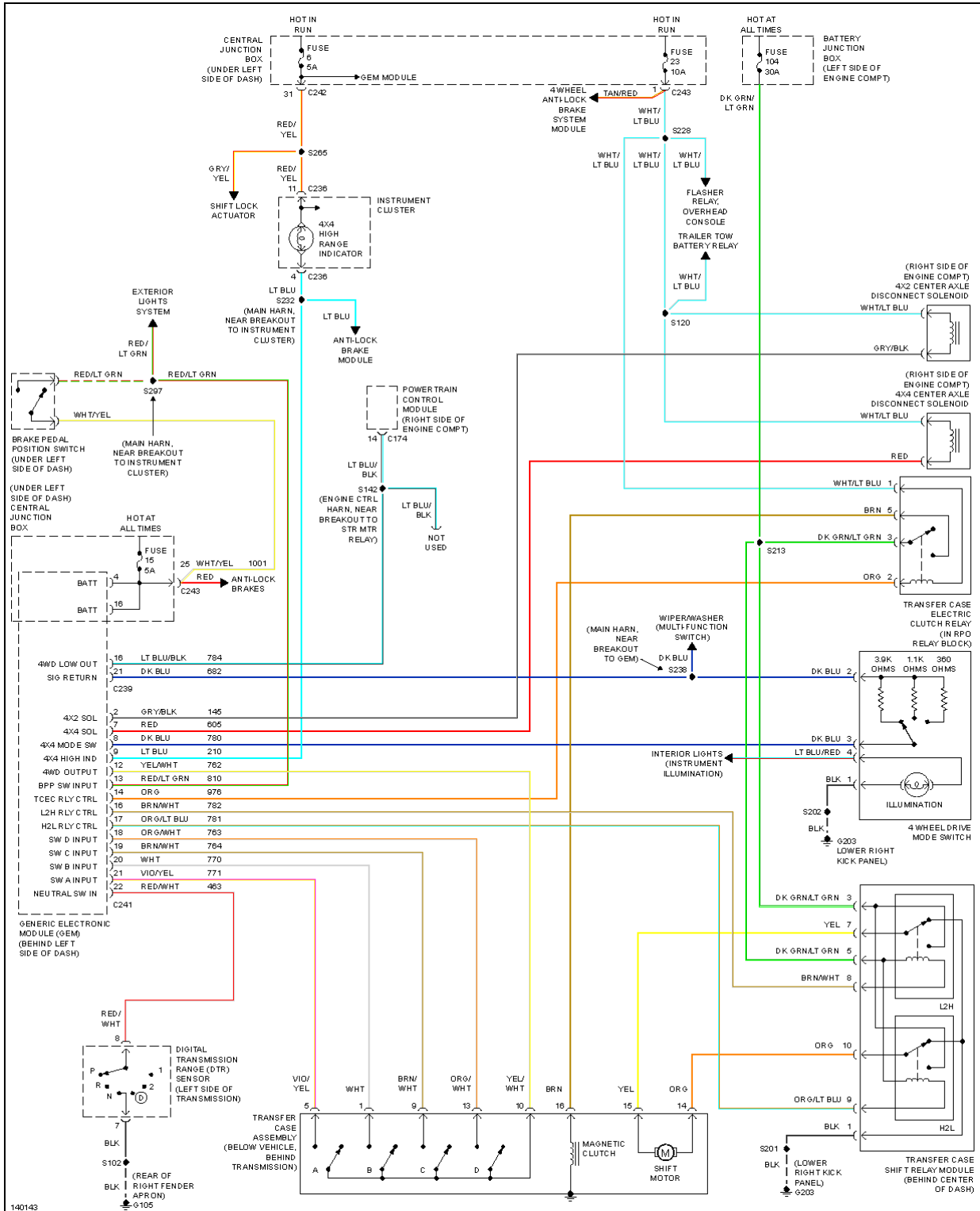
## 2000 System Wiring Diagrams Ford - Pickup F150





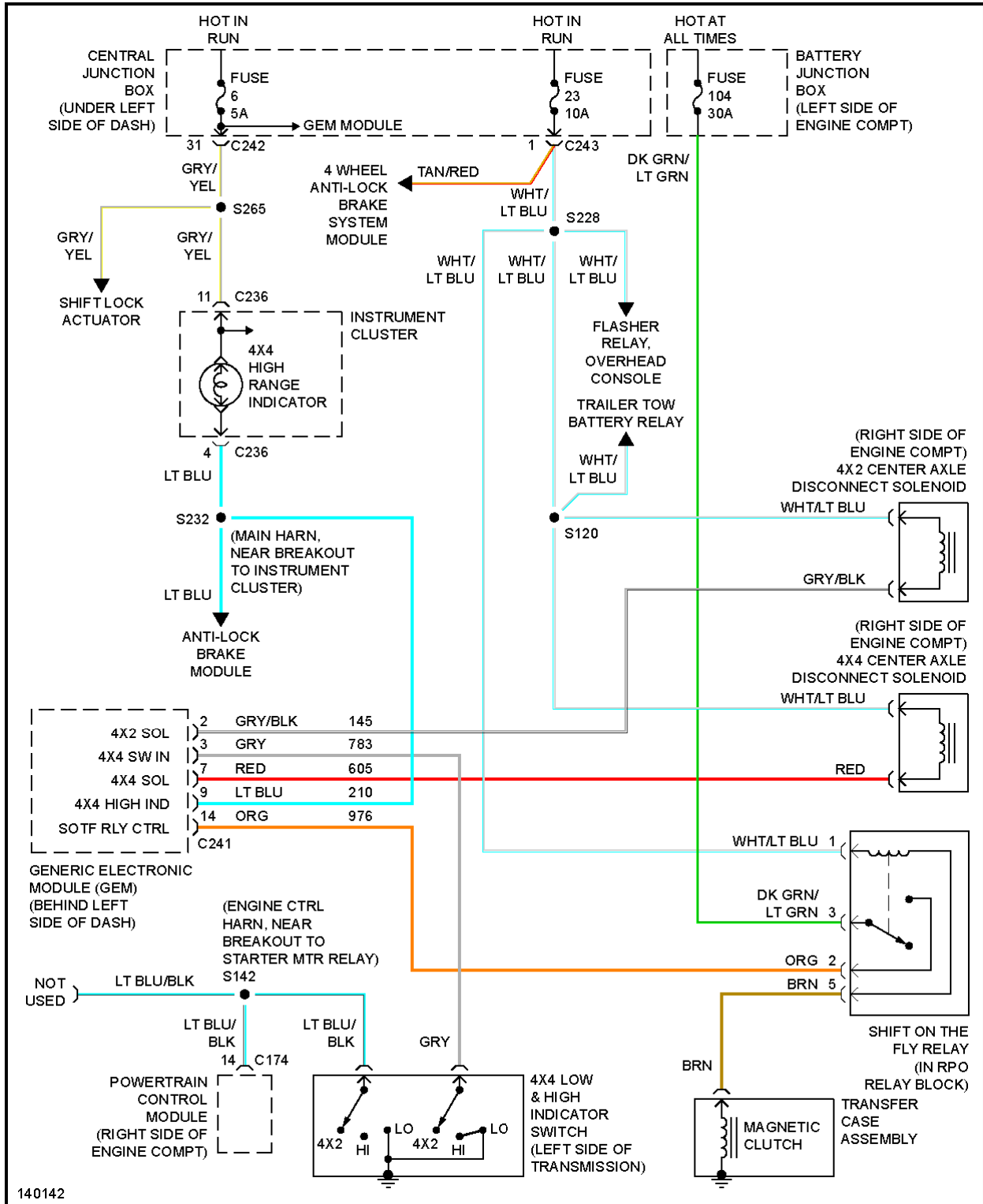
# 2000 Ford Pickup F150

## 2000 System Wiring Diagrams Ford - Pickup F150



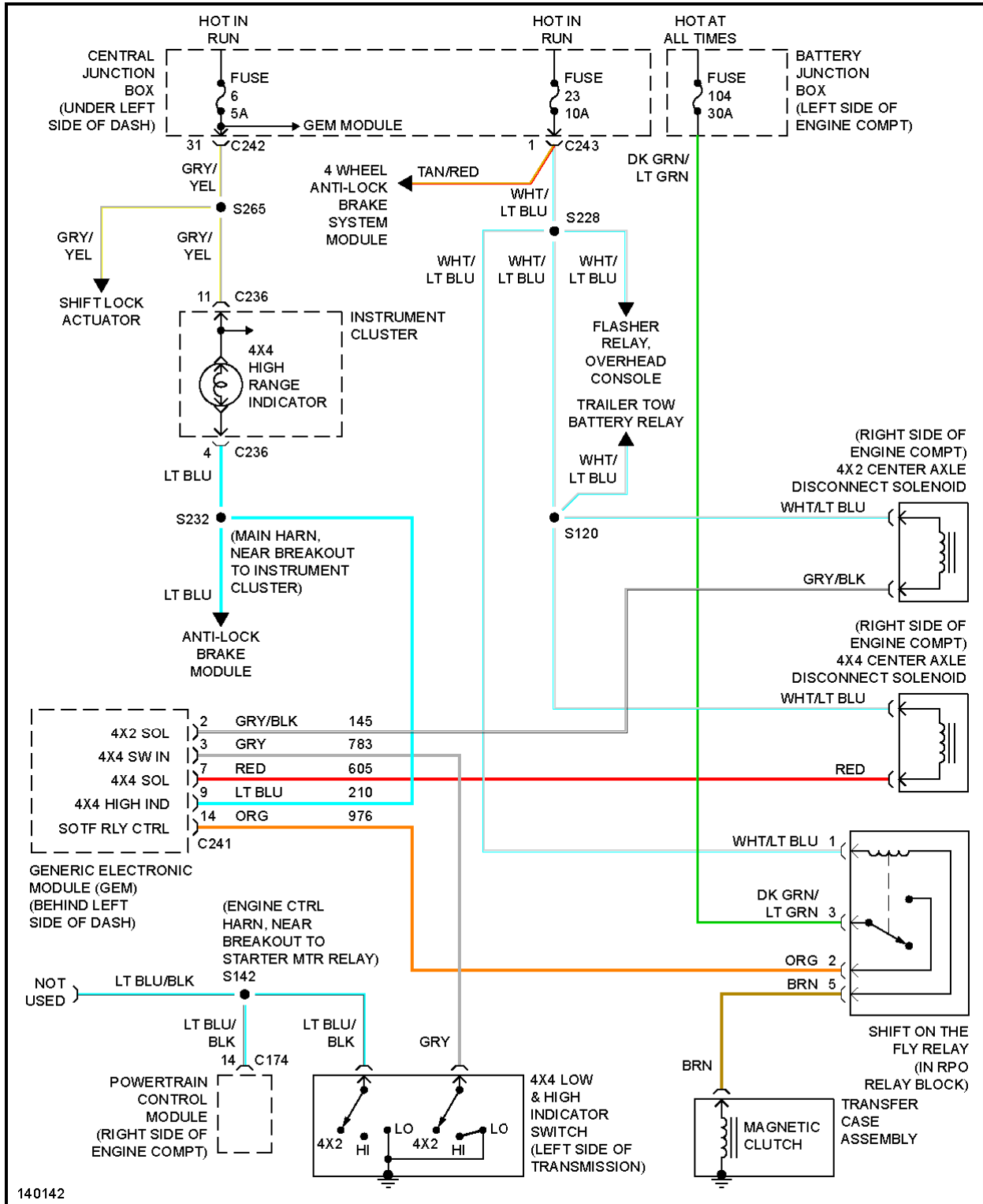
# 2000 Ford Pickup F150

## 2000 System Wiring Diagrams Ford - Pickup F150



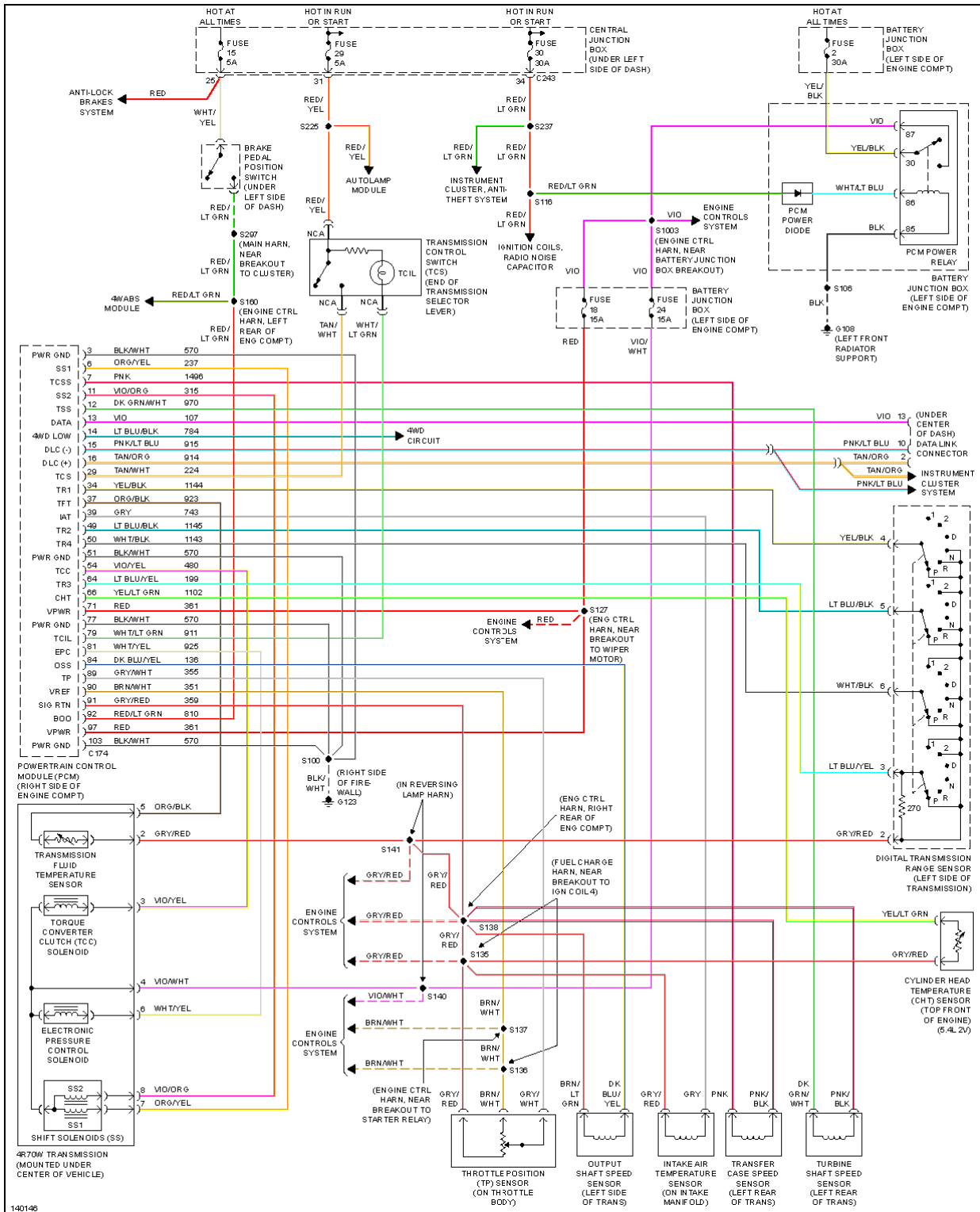
# 2000 Ford Pickup F150

## 2000 System Wiring Diagrams Ford - Pickup F150



# 2000 Ford Pickup F150

## 2000 System Wiring Diagrams Ford - Pickup F150



# 2000 Ford Pickup F150

## 2000 System Wiring Diagrams Ford - Pickup F150

