

ELECTRICAL WIRING & FUSES ETC

Subject	Page	Subject	Page
General Description	397	Cruise Control System	424
Fuses & Relays	397	Instrument Cluster - Low Series	425
Wiring Colour Chart	397	Instrument Cluster - High Series	427
Interior Fuse Panel - AU	398	Audio System - SWB	430
Power Distribution Box - AU	399	Satellite Navigation AUII	431
Interior Fuse Panel - AUII & AUIII	400	Heater & A/C System	432
Power Distribution Box - AUII & AUIII	400	A/C Auto Temperature Control	433
		Clock	435
Wiring Diagrams	401	Power Seats	435
Junction box	401	Power Seats -Memory	436
Grounds Part 1 - AUI	402	Power Door Locks	437
Grounds Part 2 - AUI	403	Power Door Locks - Commercial	438
Grounds Part 1 - AUII SWB	404	Power Windows	439
Grounds Part 2 - AUII SWB	405	Power Mirrors - Standard & Memory	440
Grounds Part 1 - AUII LWB	406	Rear Demist	441
Grounds Part 2 - AUII LWB	407	Wiper Washer System	442
Grounds Part 1 - Commercial	408	Mobile Office	443
Grounds Part 1 - AUII Wagon	408	Horn	443
Grounds Part 3	409	Air Bags - AUI	444
Power Distribution	410	Air Bags - AUII & Commercial	445
Body electronics Module - Low Series	411	Courtesy Illumination - Low Series	446
Body electronics Module - High Series	413	Courtesy Illumination - High Series	447
EFI 4.0L	415	Exterior Lighting - Low Series	448
EFI 5.0L	417	Exterior Lighting - High Series	449
LPG 4.0L	419	Exterior Lighting - Commercial	450
Starting & Charging System	420	Turn / Hazard Lamps	451
Automatic Transmission	421	Stop & Backup Lamps	452
Engine Cooling Fans	422	Trailer - AUII	453
ABS & Traction Control	423	Trailer - Commercial	454

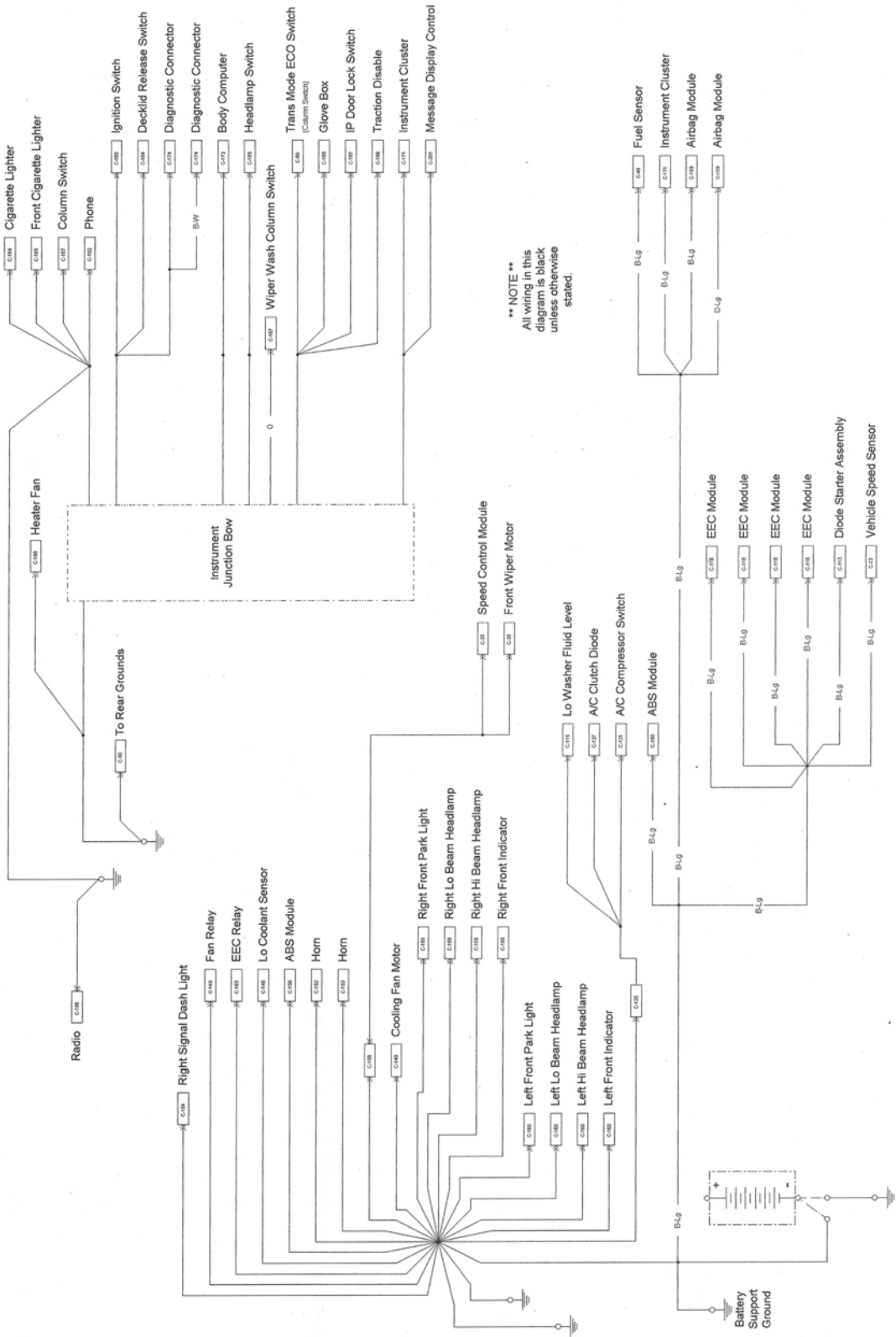
Interior Fuses Panel - AU

Fuses	Amphere Rating	Colour	Circuits Protected
1	10	Red	Instrument Illumination
2	15	Blue	Reverse Lights
3	5	Orange	Radio
4	15	Blue	Cigarette Lighter
5	15	Blue	Stop Lights
6	7.5	Amber	LPG
7	10	Red	Cooling Fans
8	30	Green	Rear Demister
9	15	Blue	Radio
10	5	Orange	Body Electronics Module
11	15	Blue	Interior Lights
12	20	Yellow	Wipers
13			Auxiliary Power Point
14	20	Yellow	Heater/Air Conditioner
15	15	Blue	Tail Lights
16	15	Blue	Hazard Lights
17	5	Orange	Air Bag
18	15	Blue	Turn Lights
19	30	Green	Door Locks
20	10	Red	Instrument cluster
21	10	Red	Air Bag
22			Spare Fuse
23			Spare Fuse
24	10	Red	Interior Lights
25	30	Grey	Power Windows (circuit breaker)
26	20	Yellow	Premium Sound Amplifier

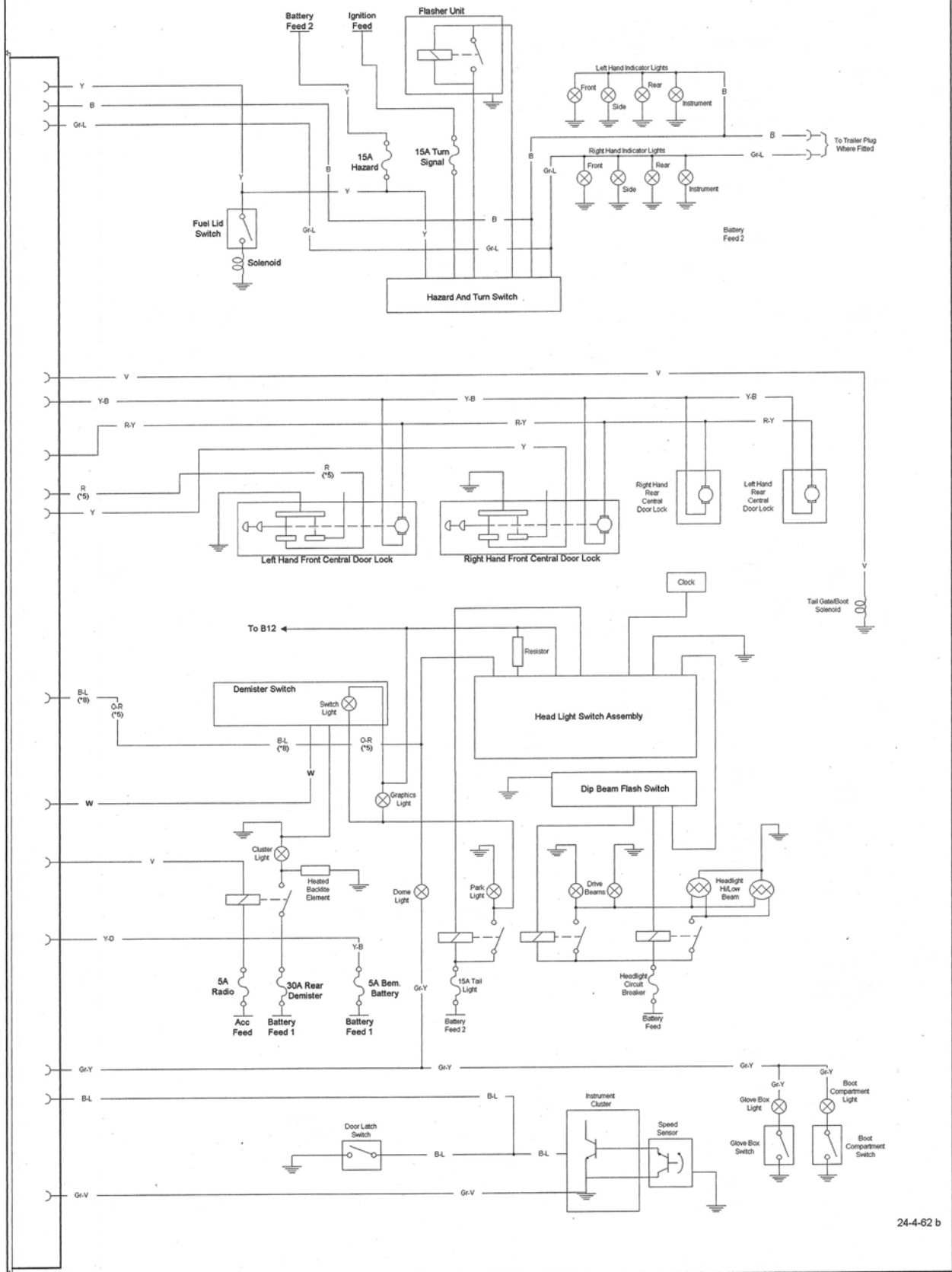
Relay	Amphere Rating	Colour	Circuits Protected
R1	30	Green	Air Conditioning
R2	20	Black	Tail Lights
R3	40	White	Rear Demister
R4	40	White	Power Windows
R5		Black	Turn Signal Indicator



GROUND PART 2 - AU II LWB

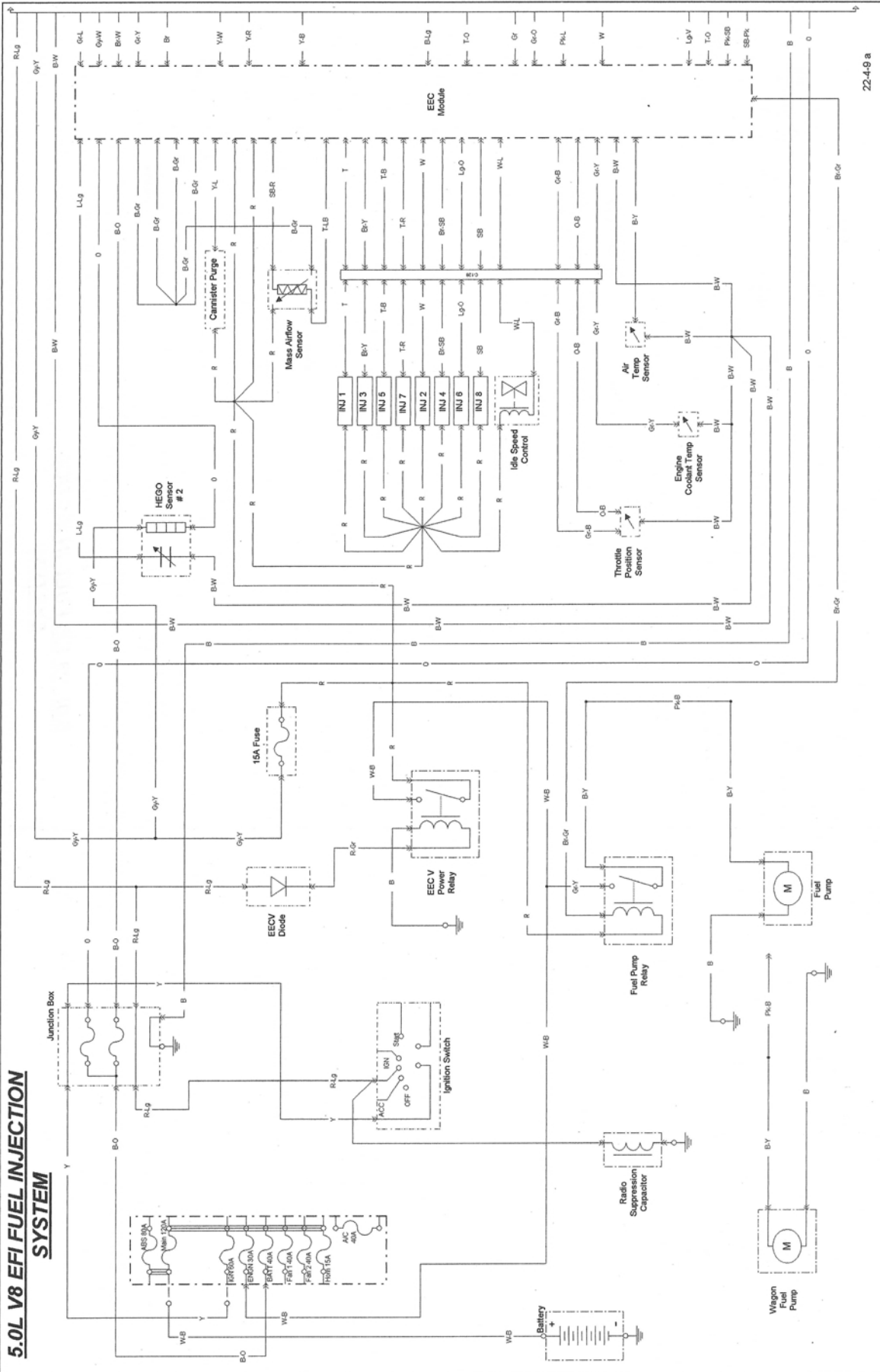


BODY ELECTRONICS MODULE - AU I & AU II Low SERIES



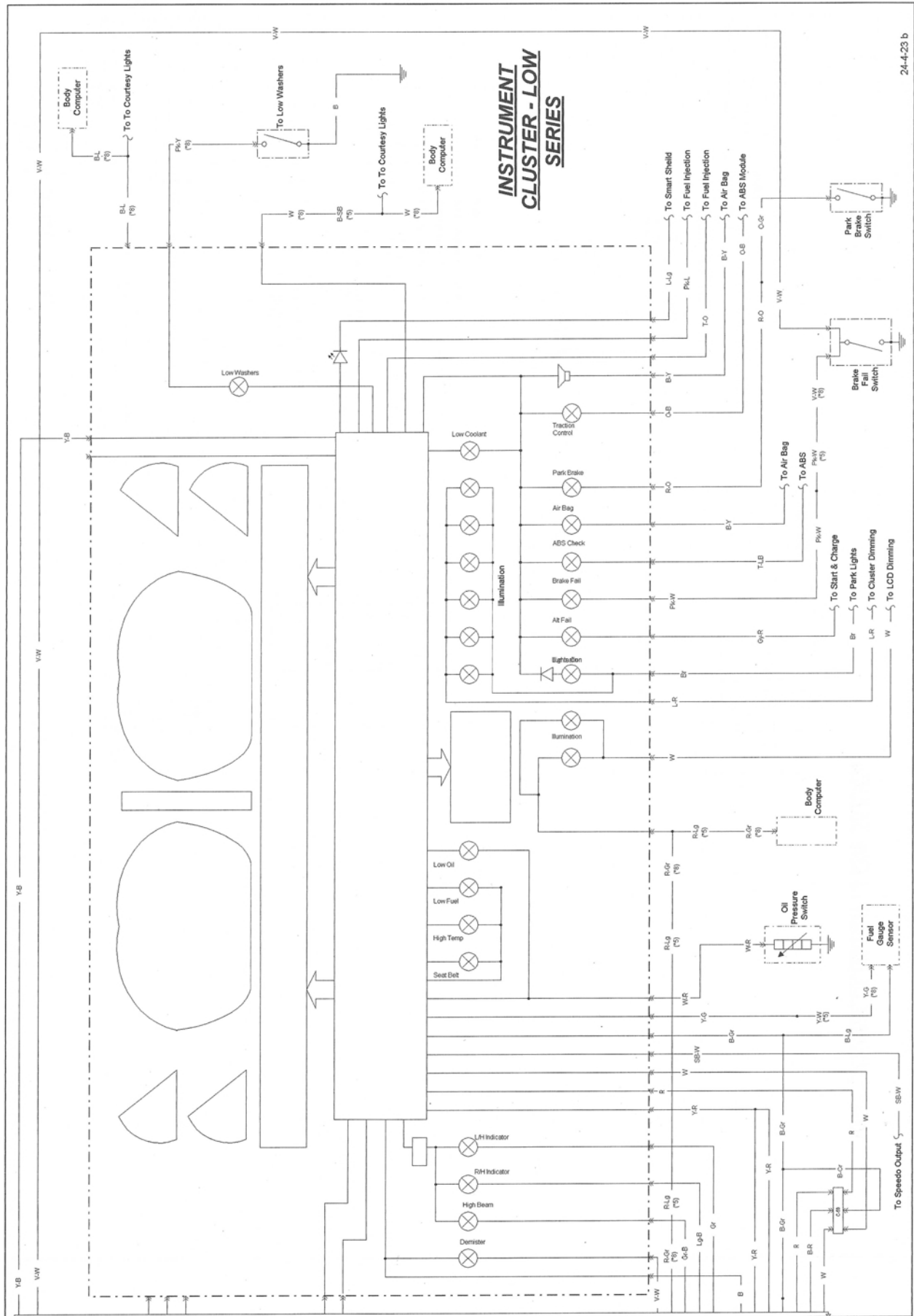
24-4-62 b

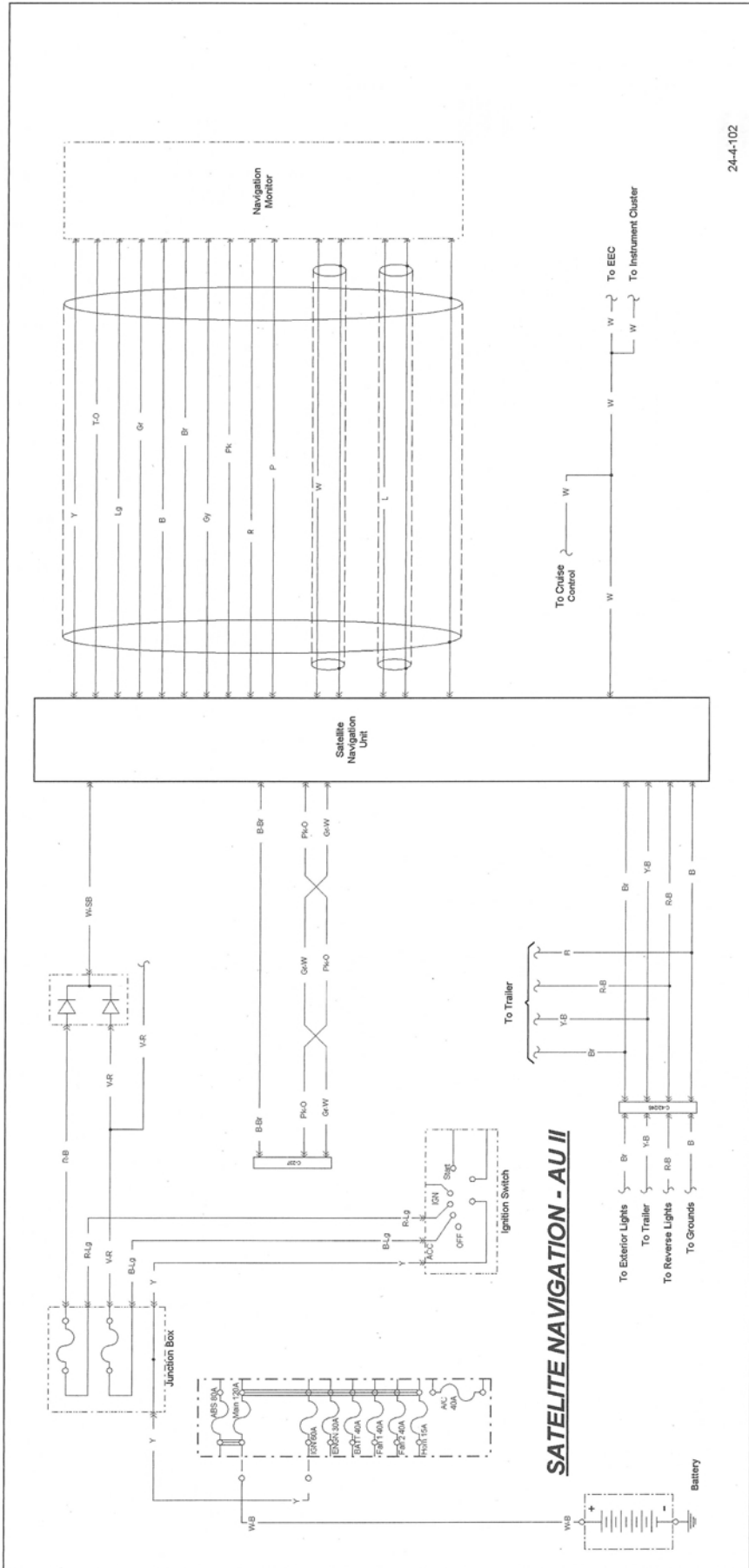
5.0L V8 EFI FUEL INJECTION SYSTEM



22-4-9 a

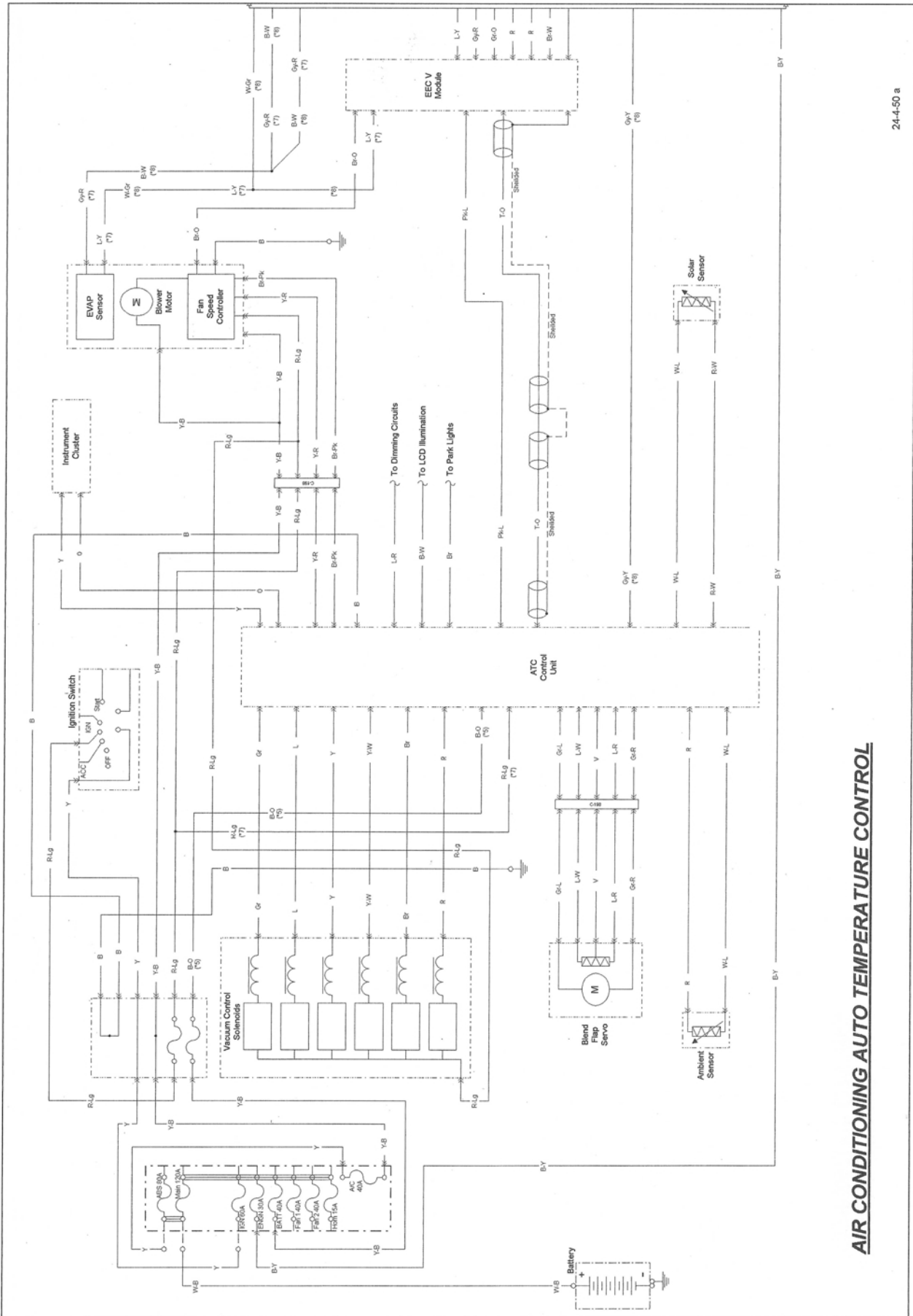
ELECTRICAL WIRING & FUSES ETC





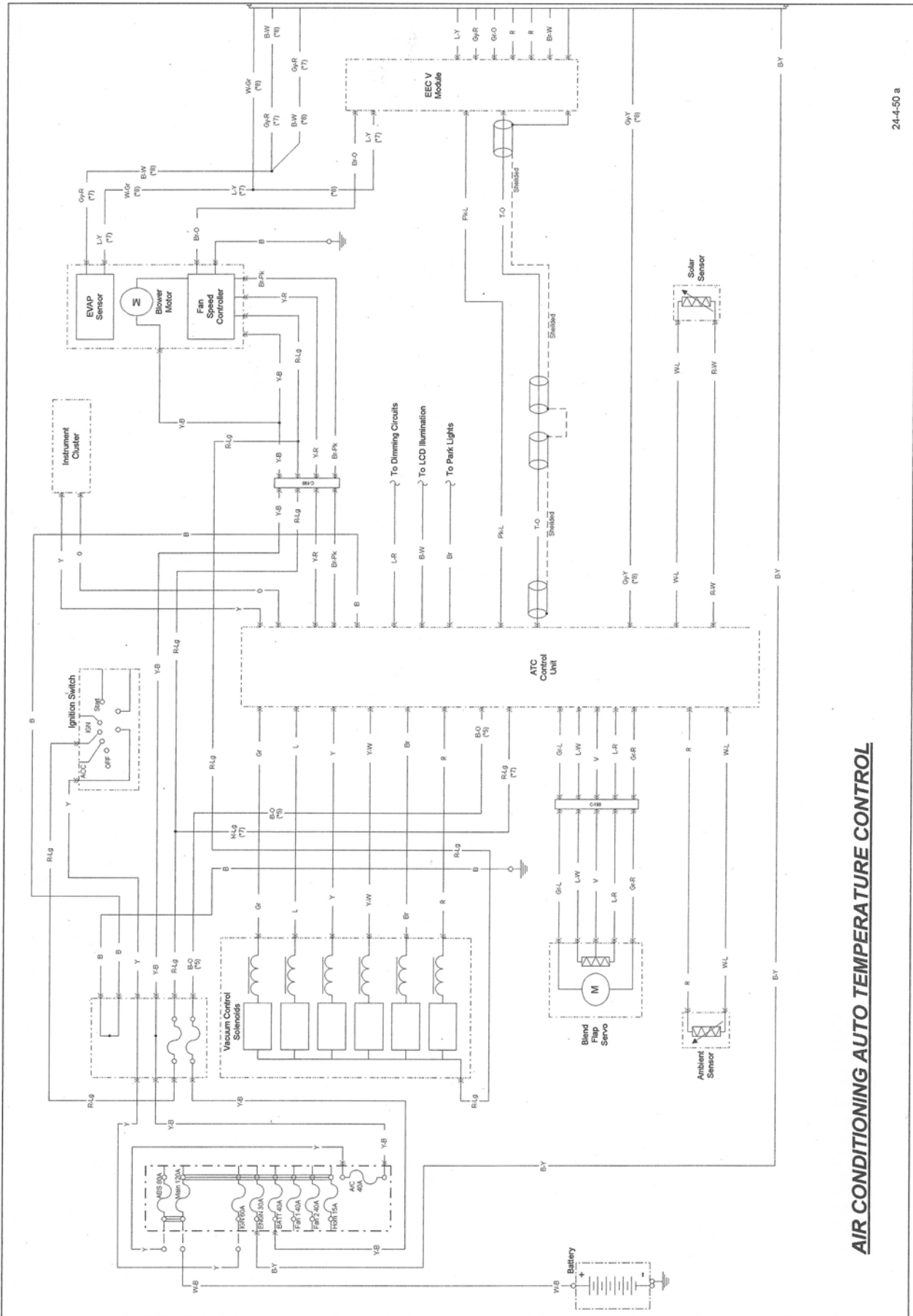
24-4-102

SATELLITE NAVIGATION - AU II

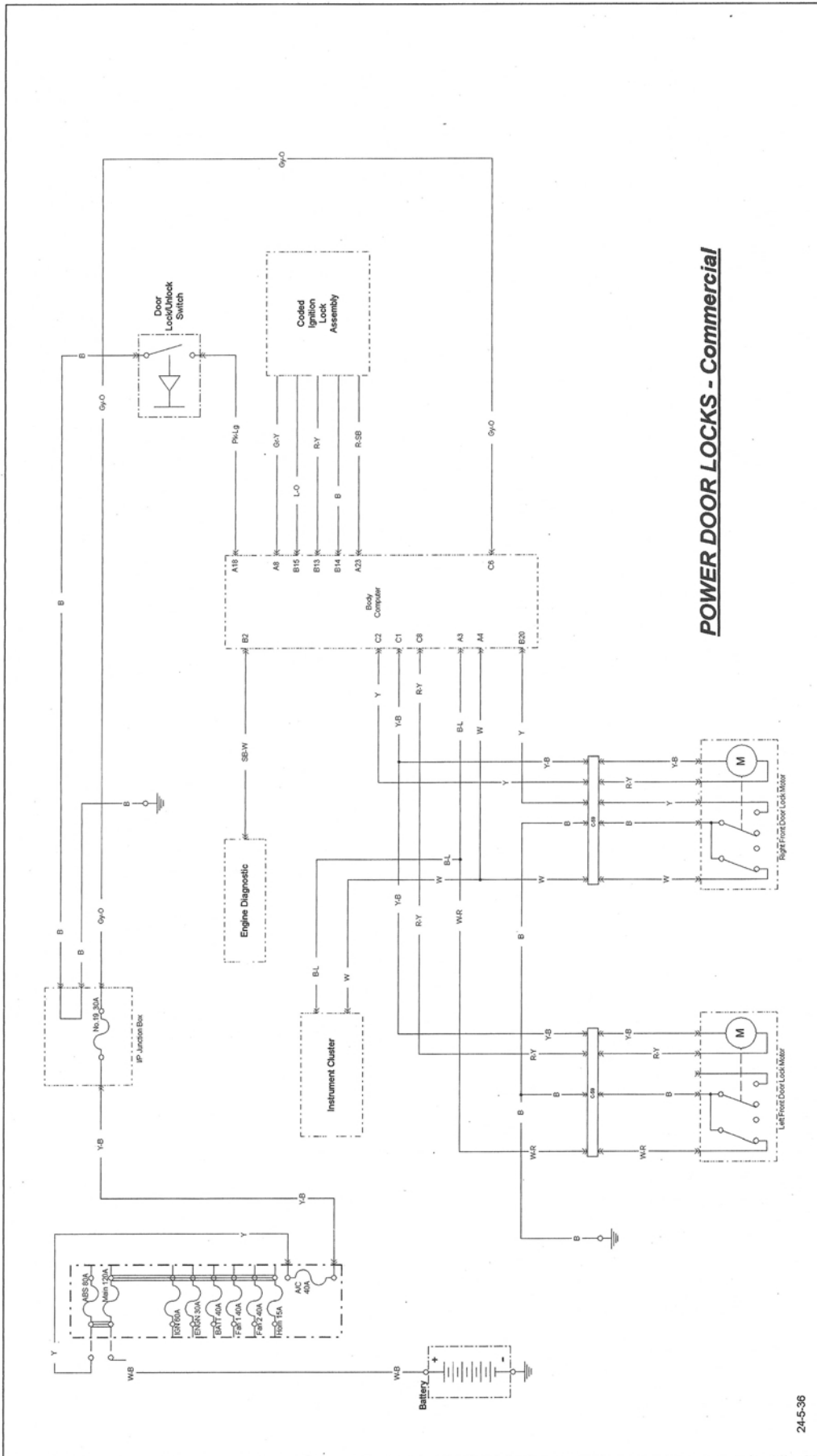


AIR CONDITIONING AUTO TEMPERATURE CONTROL

24-4-50 a

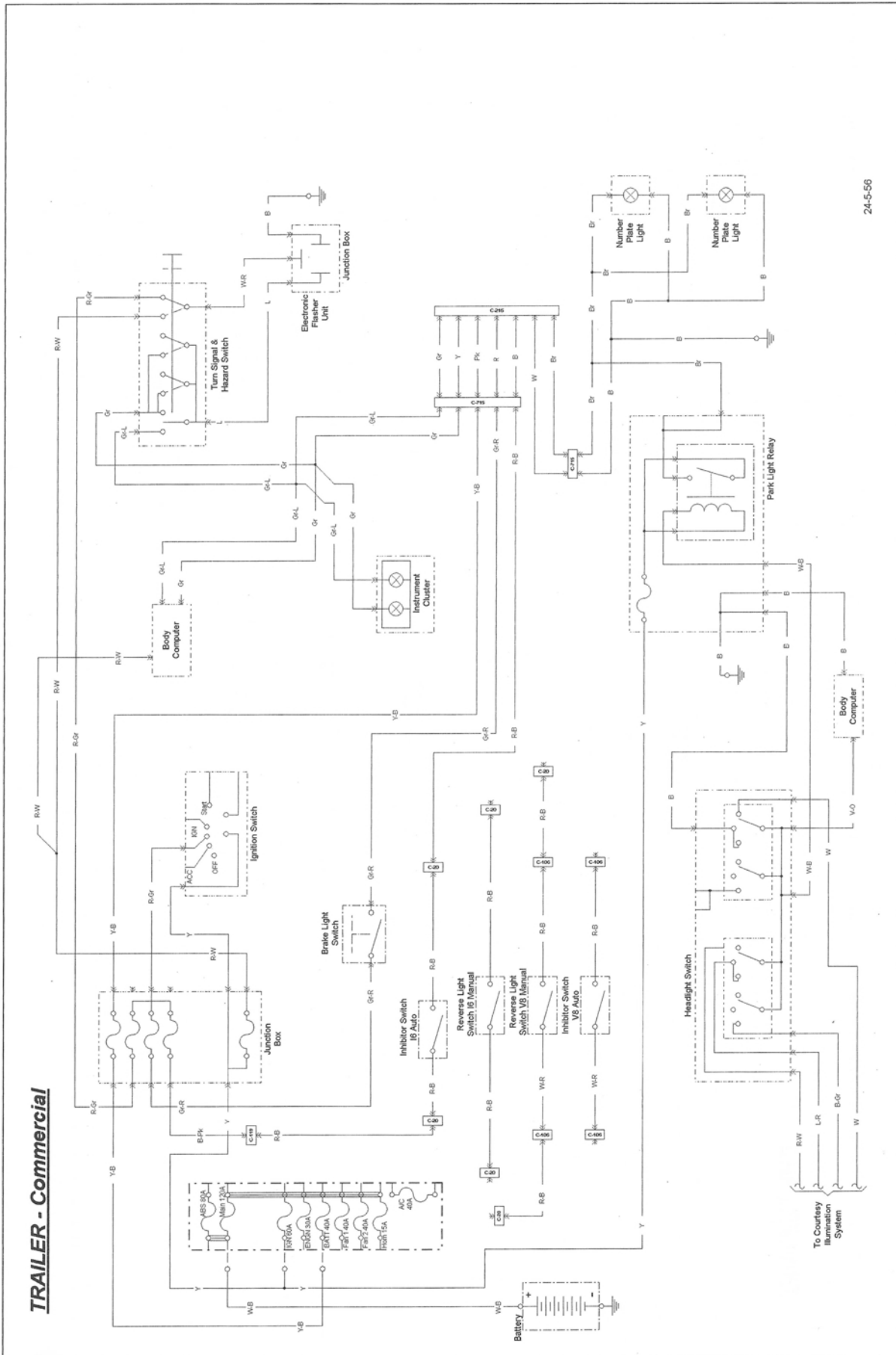


AIR CONDITIONING AUTO TEMPERATURE CONTROL



POWER DOOR LOCKS - Commercial

ELECTRICAL WIRING & FUSES ETC



24-5-58