

TABLE OF CONTENTS

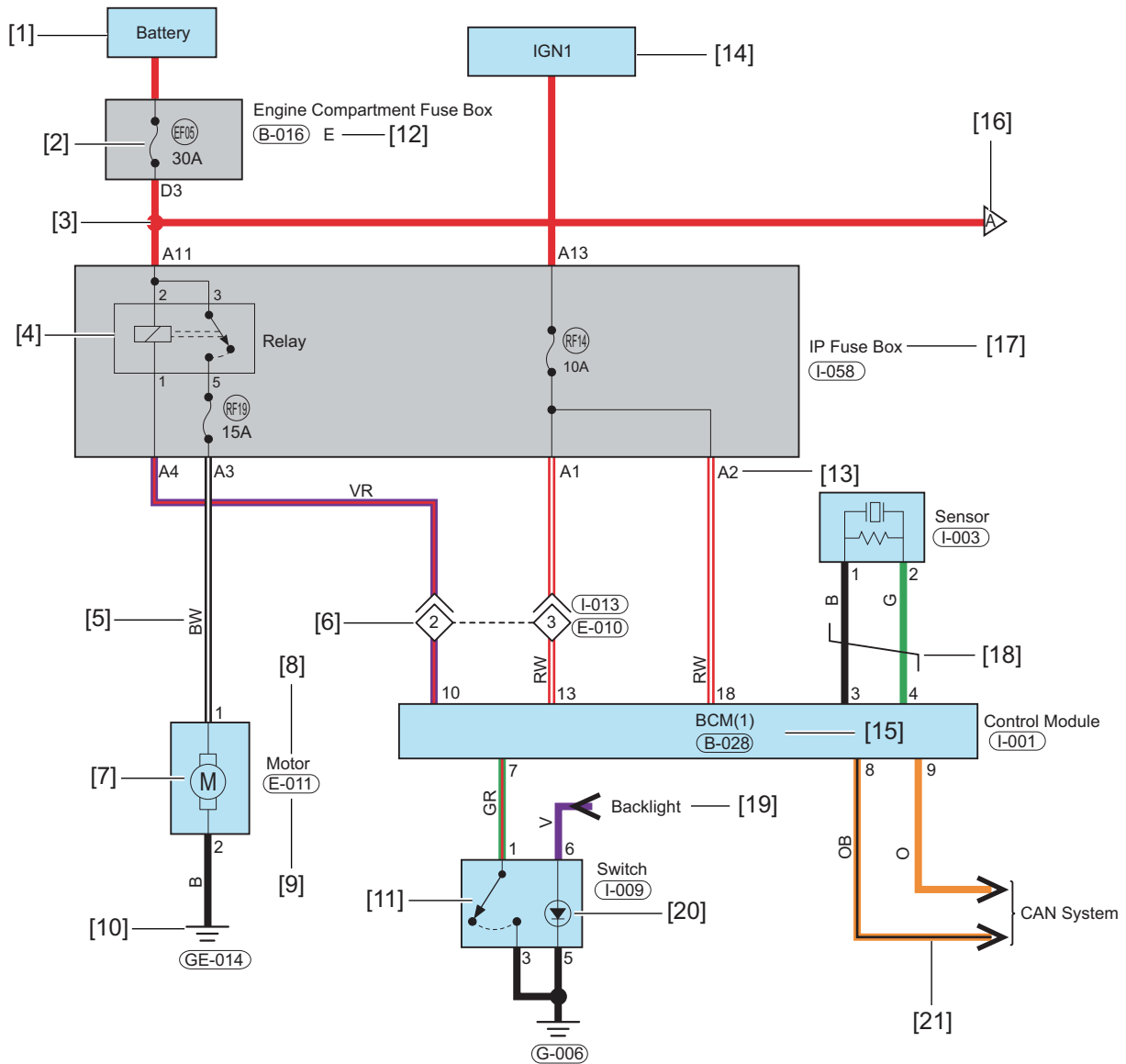
INTRODUCTION	01
How to Use This Manual	02
Troubleshooting	03
Abbreviation	04
Terms and Symbols Table	05
Fuse and Relay Information	06
Power Supply Distribution Center	07
Ground Point	08
Control Module Distribution Diagram and Terminal Definition	09
Wire Harness Location Diagram	10
System Circuit Diagram	11
Overall Circuit Diagram	12

Circuit Diagram Description

Provide circuit diagram to help technicians determine and detect vehicle faults efficiently.

Function and feature of circuit diagram:

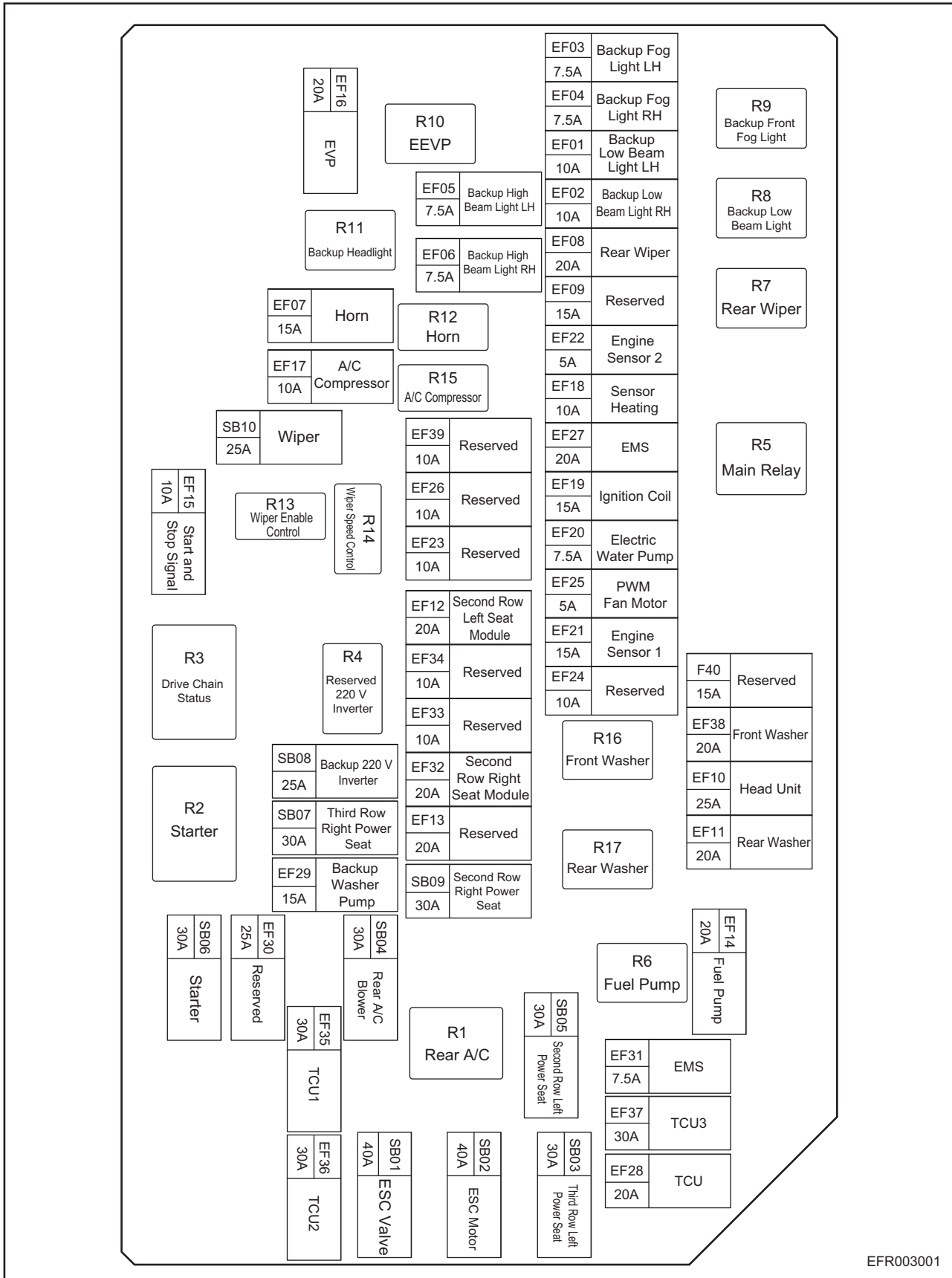
- Power supply circuit is at the top of the page and the ground circuit is at the bottom.
- Display components (such as switches and fuses) as simple labels on a circuit diagram.



EWD001001

* The displayed circuit diagram shown here is an example only. It is different to the actual circuit shown in "System Circuit" section.

2.0T Engine Compartment Fuse and Relay Box Layout Details

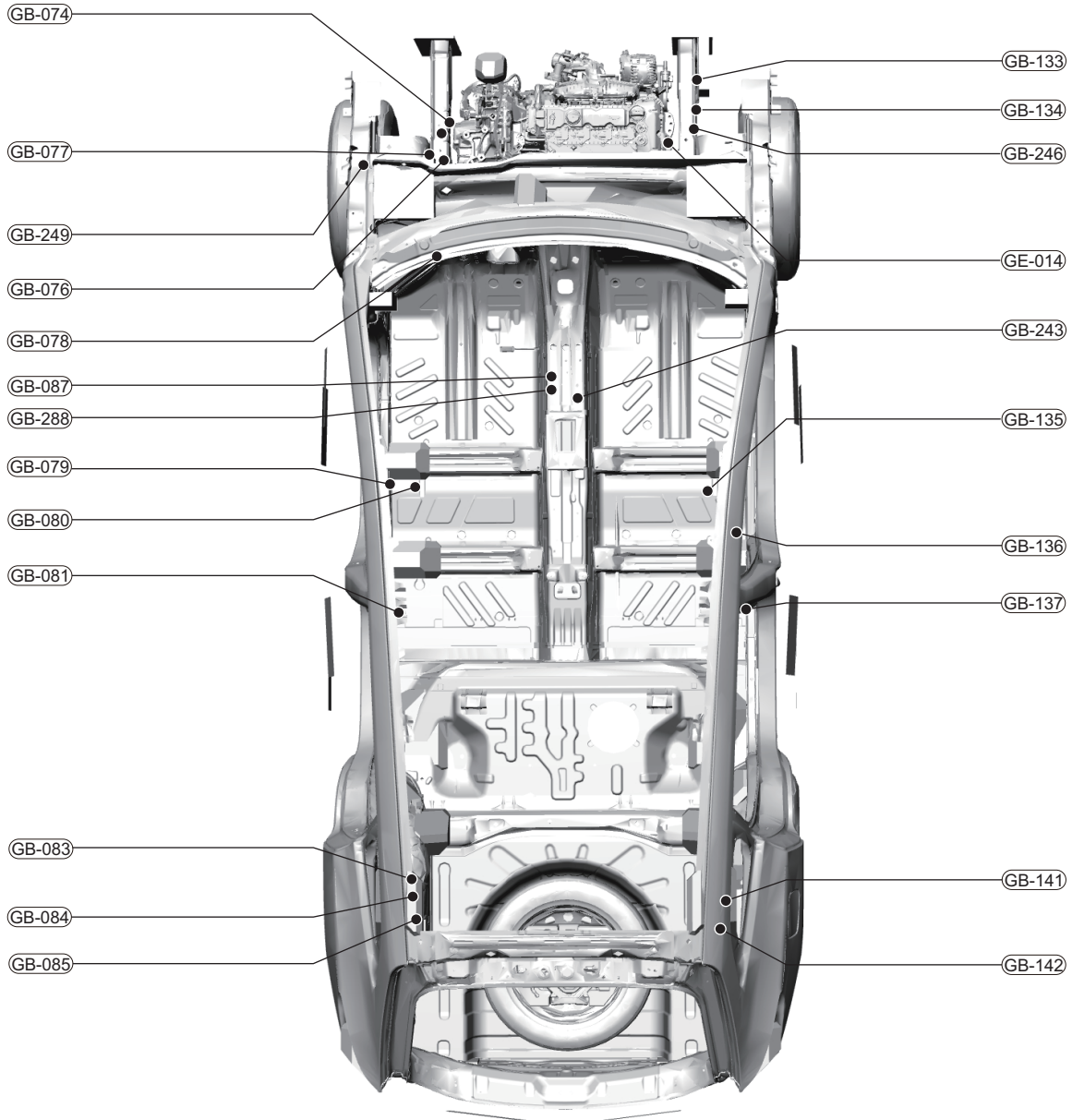


EFR003001

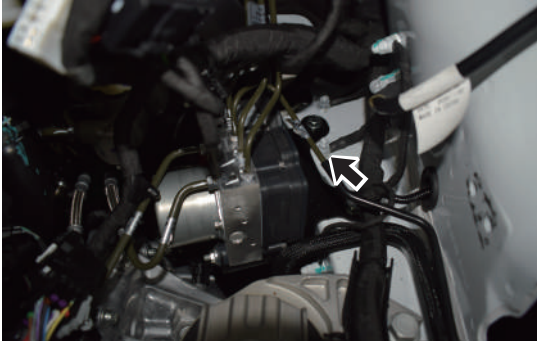
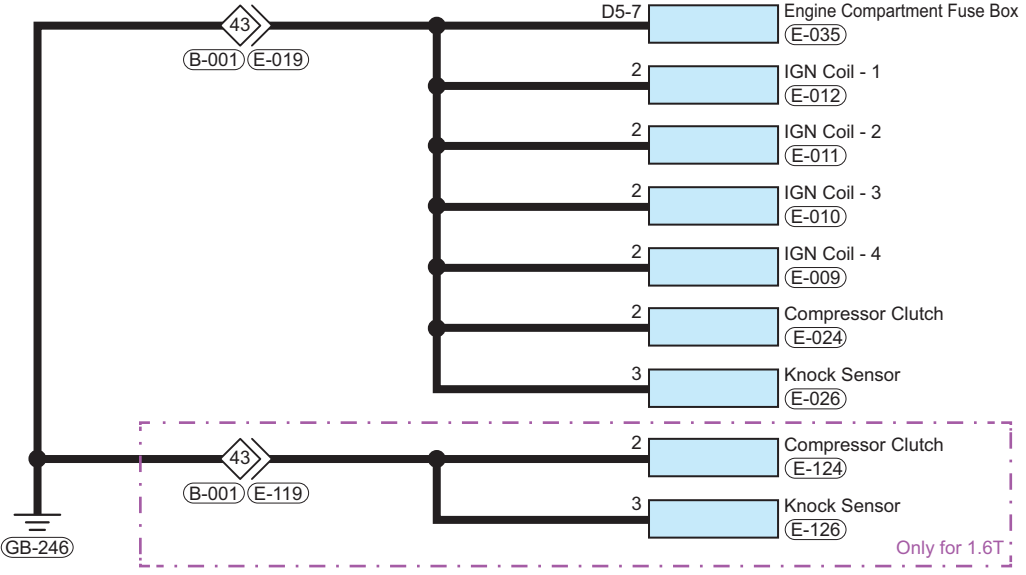


Ground Point

General Information

This section provides ground point positions and circuit information about whole vehicle electrical equipment. Using grounding points, technicians can quickly find relevant electrical equipment, and solve problems accurately and efficiently.



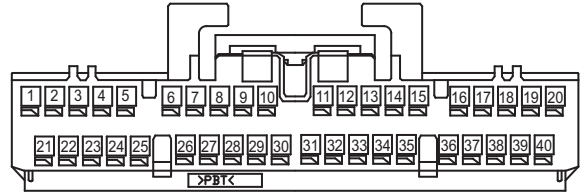
GDE016001

Ground Position	Physical Graphics
<p>Front Left Side Rail</p>	
	 <ul style="list-style-type: none"> D5-7 Engine Compartment Fuse Box (E-035) 2 IGN Coil - 1 (E-012) 2 IGN Coil - 2 (E-011) 2 IGN Coil - 3 (E-010) 2 IGN Coil - 4 (E-009) 2 Compressor Clutch (E-024) 3 Knock Sensor (E-026) 2 Compressor Clutch (E-124) 3 Knock Sensor (E-126) <i>Only for 1.6T</i>
Ground Position	Physical Graphics
<p>Front of Left B-pillar Rocker</p>	
	 <ul style="list-style-type: none"> B2 EPS-B (B-013)

GDE002001

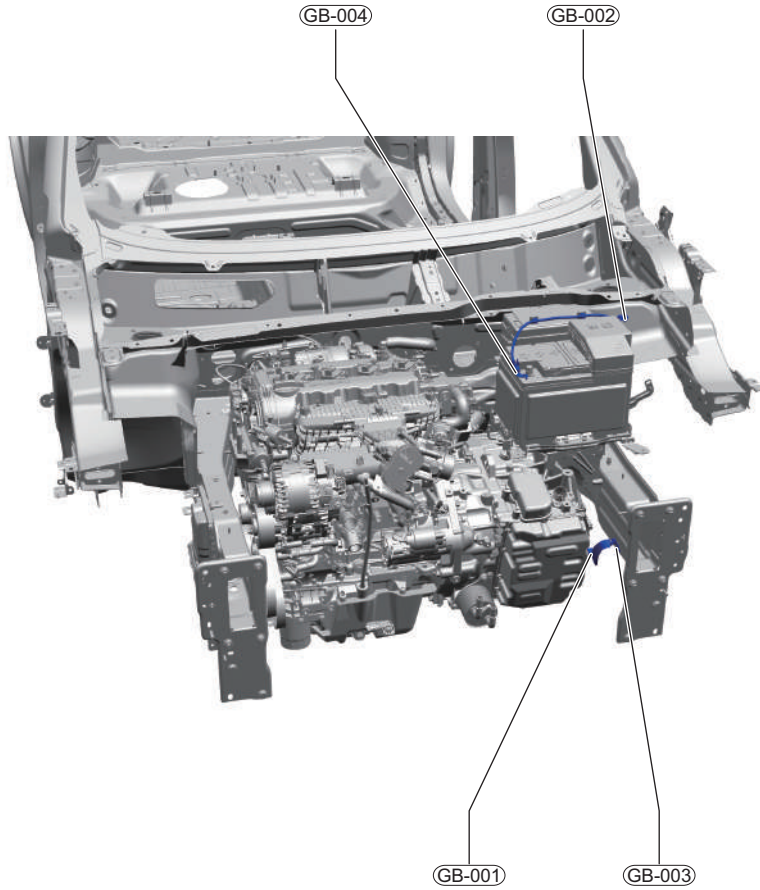
PIN	Definition	PIN	Definition
A26	Fuel Level	A78	-
A27	Brake Vacuum Pressure Sensor Signal	A79	-
A28	Sensor Ground	A80	-
A29	Accelerator Pedal Ground 2	A81	-
A30	-	A82	-
A31	Accelerator Pedal Power Supply 1	A83	-
A32	-	A84	-
A33	-	A85	-
A34	A/C Pressure Switch Signal	A86	-
A35	-	A87	-
A36	-	A88	-
A37	-	A89	-
A38	-	A90	-
A39	Cooling Fan Signal	A91	-
A40	Air Exhaust	A92	-
A41	Air Intake	A93	-
A42	Canister Control Valve	A94	-
A43	-	A95	-
A44	-	A96	Ground
A45	-	A97	Ground
A46	Power Supply	A98	Ground
A47	LIN	A99	Ground
A48	Front Oxygen Sensor IP	A100	Power Supply
A49	Front Oxygen Sensor VM	A101	Power Supply
A50	-	A102	Power Supply
A51	Accelerator Pedal Power Supply 2	A103	Power Supply
A52	GPF Temperature Sensor Ground		

Ethernet Gateway - A Module Terminal Definition



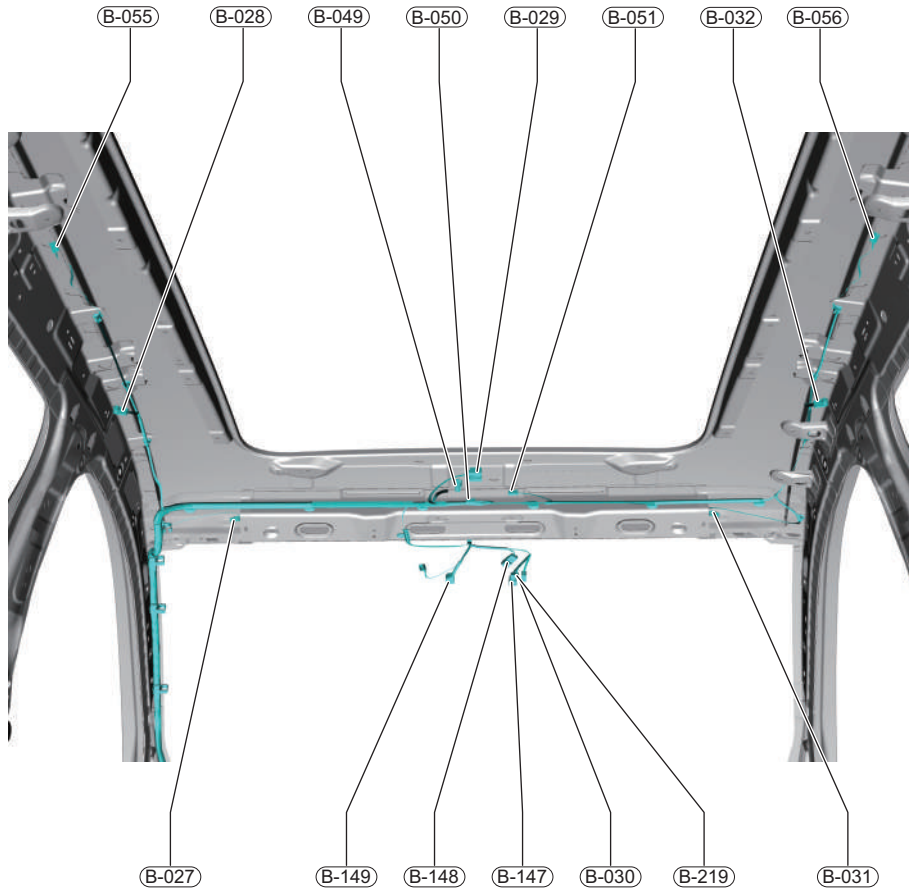
PIN	Definition	PIN	Definition
1	RXN	21	-
2	RXP	22	-
3	-	23	TXN
4	-	24	TXP
5	-	25	-
6	Intelligent Assist CANH	26	Intelligent Assist CANL
7	Support CANL	27	Support CANH
8	Diagnostic CANH	28	Diagnostic CANL
9	Entertainment CANH	29	Entertainment CANL
10	-	30	-
11	Chassis CANH	31	Chassis CANL
12	Power CANL	32	Power CANH
13	Body CANH	33	Body CANL
14	-	34	-
15	Power Supply	35	CN
16	LIN	36	-
17	-	37	-
18	-	38	-
19	-	39	Ground
20	Power Supply	40	-

Battery Negative Wire Harness



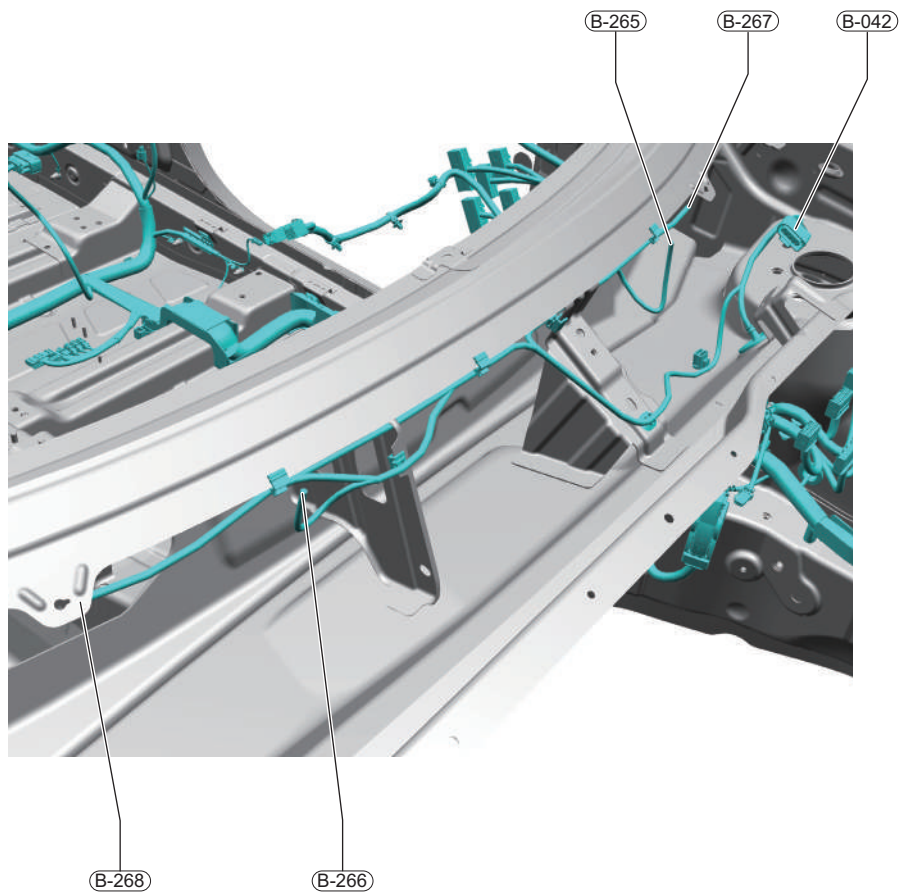
WHE006001

Connector Number	Connector Color/Pin	Connector Name
GB-001	/1	Ground Point
GB-002	/1	Engine Ground
GB-003	/1	Ground Point
GB-004	/1	Battery Negative



WHE023001

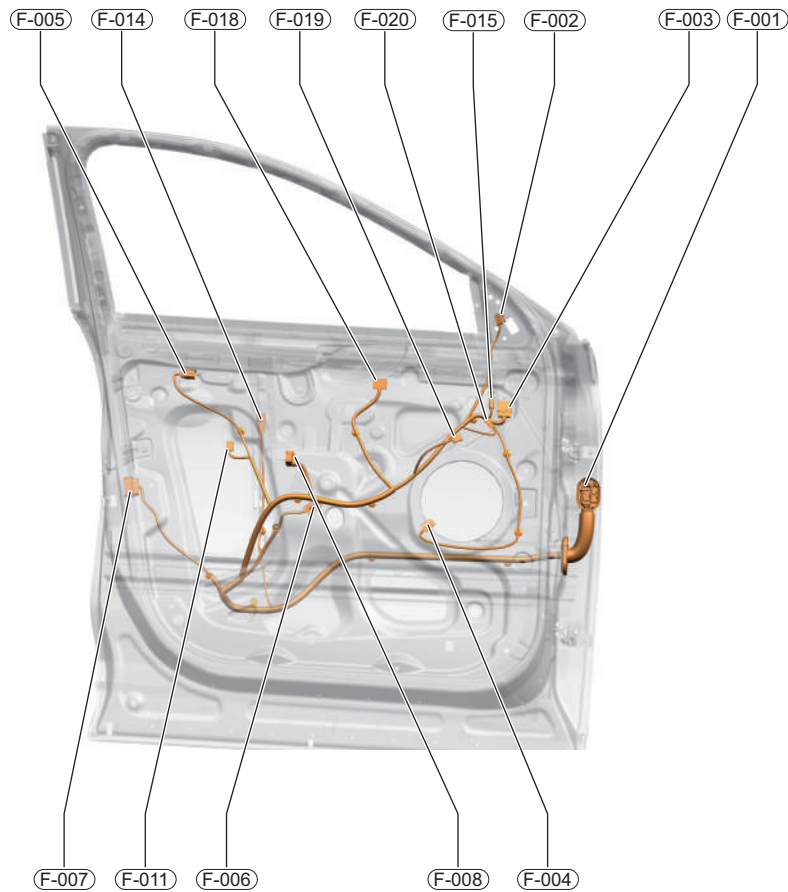
Connector Number	Connector Color/Pin	Connector Name
B-027	W/2	Driver Visor
B-028	Y/2	Left Curtain Shield Airbag
B-029	W/14	Sunroof
B-030	B/3	Rain Sensor
B-031	W/2	Front Passenger Visor
B-032	Y/2	Right Curtain Shield Airbag
B-049	W/24	Sliding Roof Switch
B-050	W/2	Right Microphone
B-051	W/2	Left Microphone
B-055	L/3	Right Map Light
B-056	L/3	Left Map Light
B-147	W/8	Drive Recorder - A
B-148	W/6	Inside Rear View Mirror
B-149	B/12	Front Camera
B-219	/1	Drive Recorder - B
B-250	/4	ETC



WHE023021

Connector Number	Connector Color/Pin	Connector Name
B-042	B/4	Front Wiper Motor
B-265	B/2	Heated Nozzle L
B-266	B/2	Heated Nozzle R
B-267	B/1	Front Windshield Heating 1
B-268	B/1	Front Windshield Heating 2

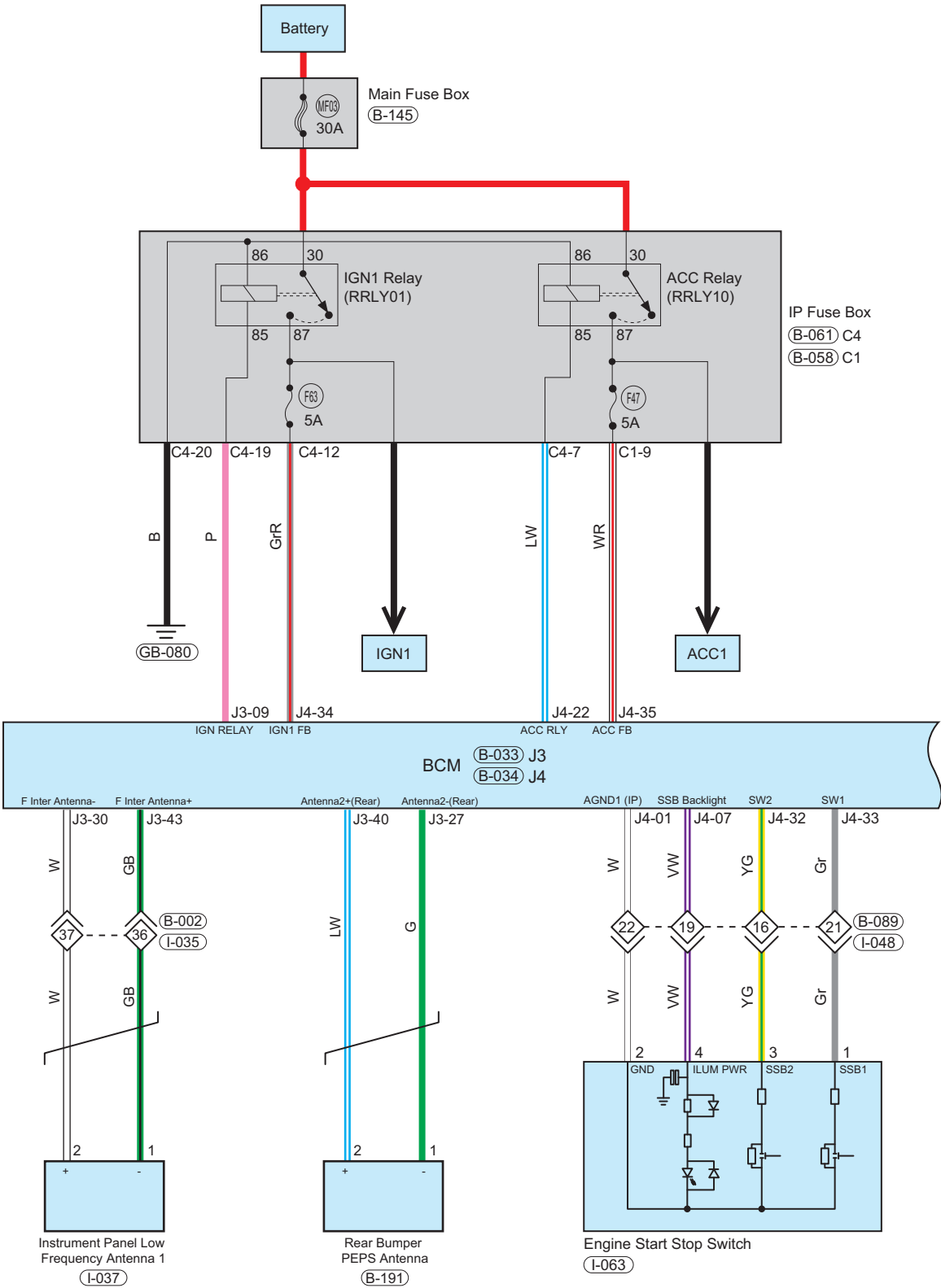
Front left door wire harness



WHE031001

Connector Number	Connector Color/Pin	Connector Name
F-001	W/46	Interior Wire Harness to Front Left Door Wire Harness
F-002	B/2	Front Left Door Tweeter
F-003	W/16	Left Outside Rear View Mirror
F-004	B/2	Front Left Door Woofer
F-005	Gr/2	Front Left Door Handle Antenna
F-006	Gr/2	Front Left Power Window Regulator Motor
F-007	B/6	Front Left Door Lock
F-008	Br/16	Front Left Power Window Regulator Switch
F-011	B/6	Front Left Door Ambient Light
F-014	B/2	Driver Side Door Handle Switch
F-015	/1	Front Left HD Camera
F-018	/10	Driver Seat Switch
F-019	/6	Front Left Ambient Light
F-020	/2	Front Left Middle Speaker

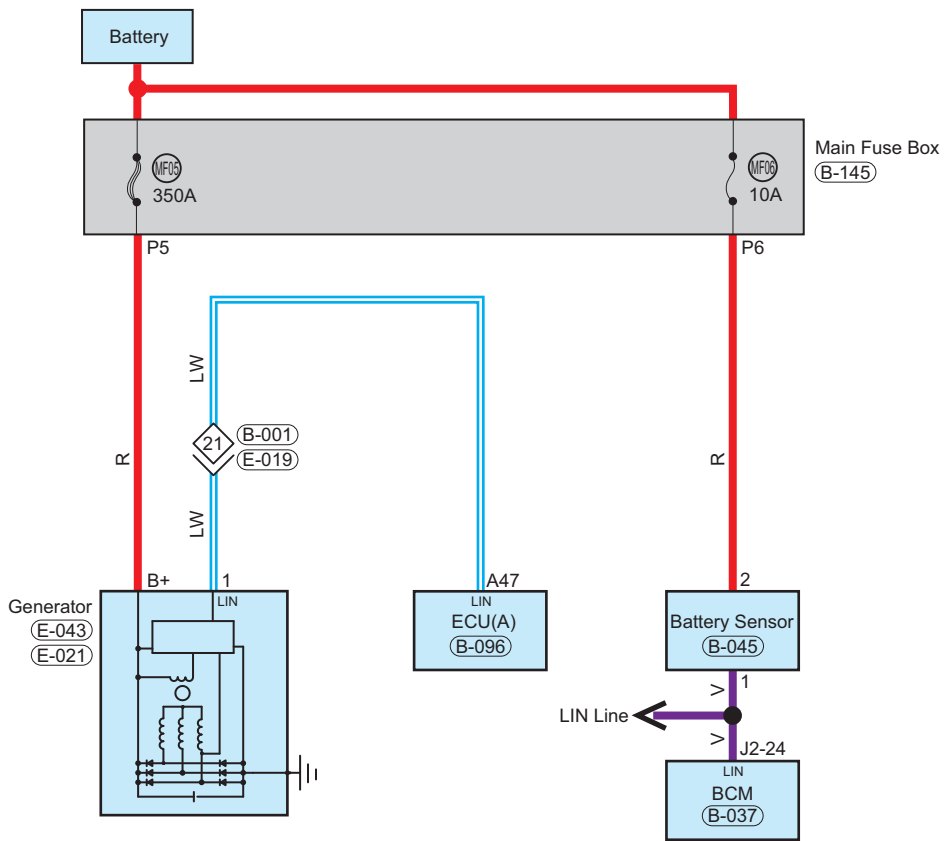
Passive Entry & Passive Start (PEPS)



11

PEE001001

2.0T Charging System



Ambient Light

Wire Harness Connector	Name	Wire Harness Connector
B-006	Interior Wire Harness to Front Left Door Wire Harness 2	10-32
B-008	Interior to Rear Left Door Wire Harness	10-34
B-035	Body Domain Control Module - J5	10-32
B-058	Instrument Panel Fuse Box - 1	10-32
B-091	Interior Wire Harness to Front Right Door Wire Harness 2	10-41
B-094	Interior Wire Harness to Rear Right Door Wire Harness	10-40
B-282	Front Left Floor Ambient Light	10-52
F-001	Interior Wire Harness to Front Left Door Wire Harness	10-99
F-011	Front Left Door Ambient Light 2	10-99
F-019	Front Left Ambient Light	10-99
GB-080	Ground Point G2.4	10-34
GB-081	Ground Point G2.5	10-34
GB-135	Ground Point G2.14	10-40
GB-243	Ground Point G2.16	10-42
GB-288	Ground Point G2.12	10-55
H-001	Interior Wire Harness to Front Right Door Wire Harness	10-101
H-009	Front Right Door Ambient Light	10-101
H-014	Front Right Door Ambient Light - Surface Light Source	10-102
I-001	Instrument Panel to Interior Wire Harness LH 1	10-89
I-019	Instrument Panel Ambient Light	10-88
I-035	Instrument Panel to Interior Center Wire Harness	10-84
I-062	Outlet Ambient Light	10-83
I-064	Auxiliary Fascia Console Backup Power	10-83
I-066	Instrument Panel Right Ambient Light	10-83
L-001	Interior to Rear Left Door Wire Harness	10-104
L-008	Rear Left Door Ambient Light	10-104
L-009	Rear Left Ambient Light	10-105

