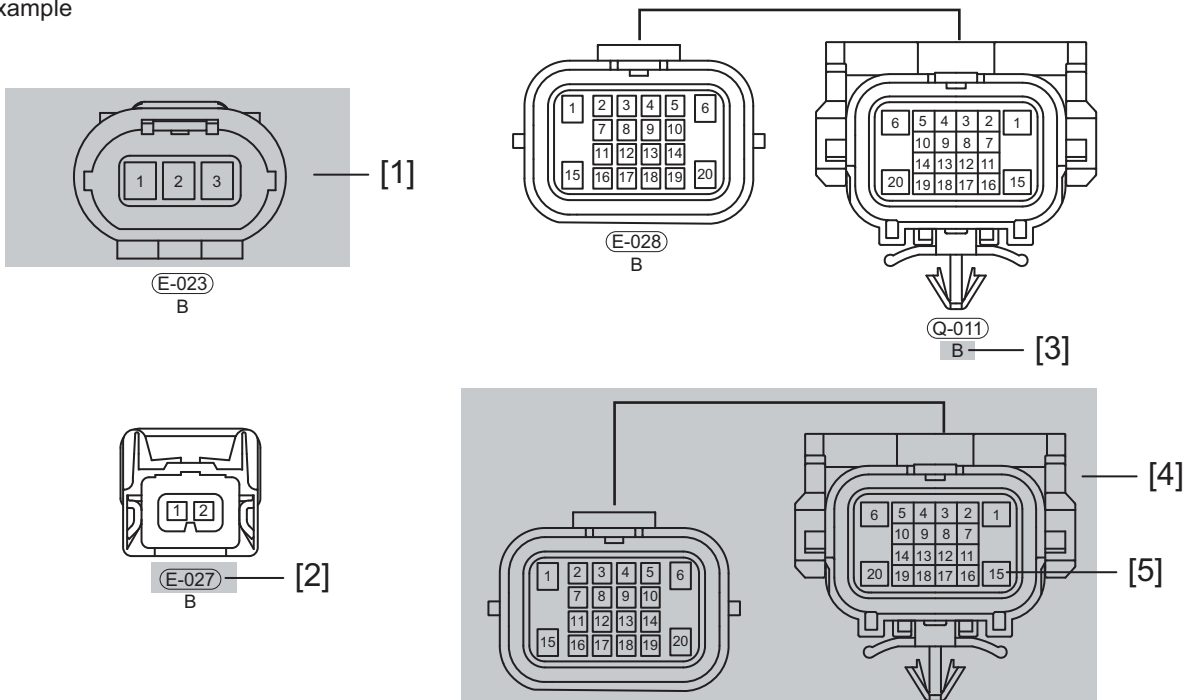


TABLE OF CONTENTS

Introduction	01
How to Use This Manual	02
Troubleshooting	03
Abbreviation	04
Terms and Symbols Table	05
Fuse and Relay Information	06
Power Distribution Center	07
Ground Point	08
Control Module Distribution Diagram and Pin Definition	09
Wire Harness Position Diagram	10
System Circuit Diagram	11
Overall Circuit Diagram	12

Connector List Description

Example

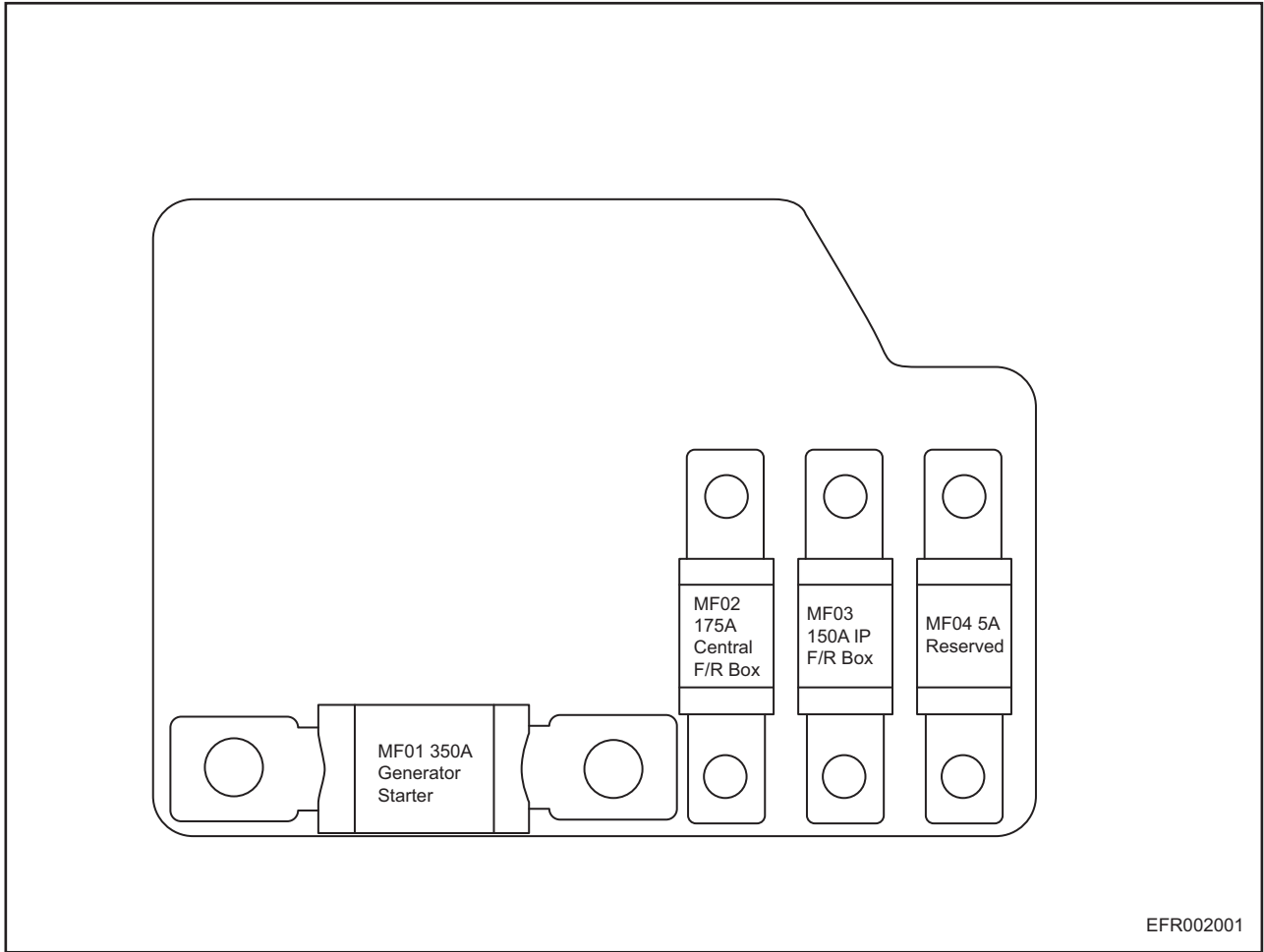


02

EWD005001

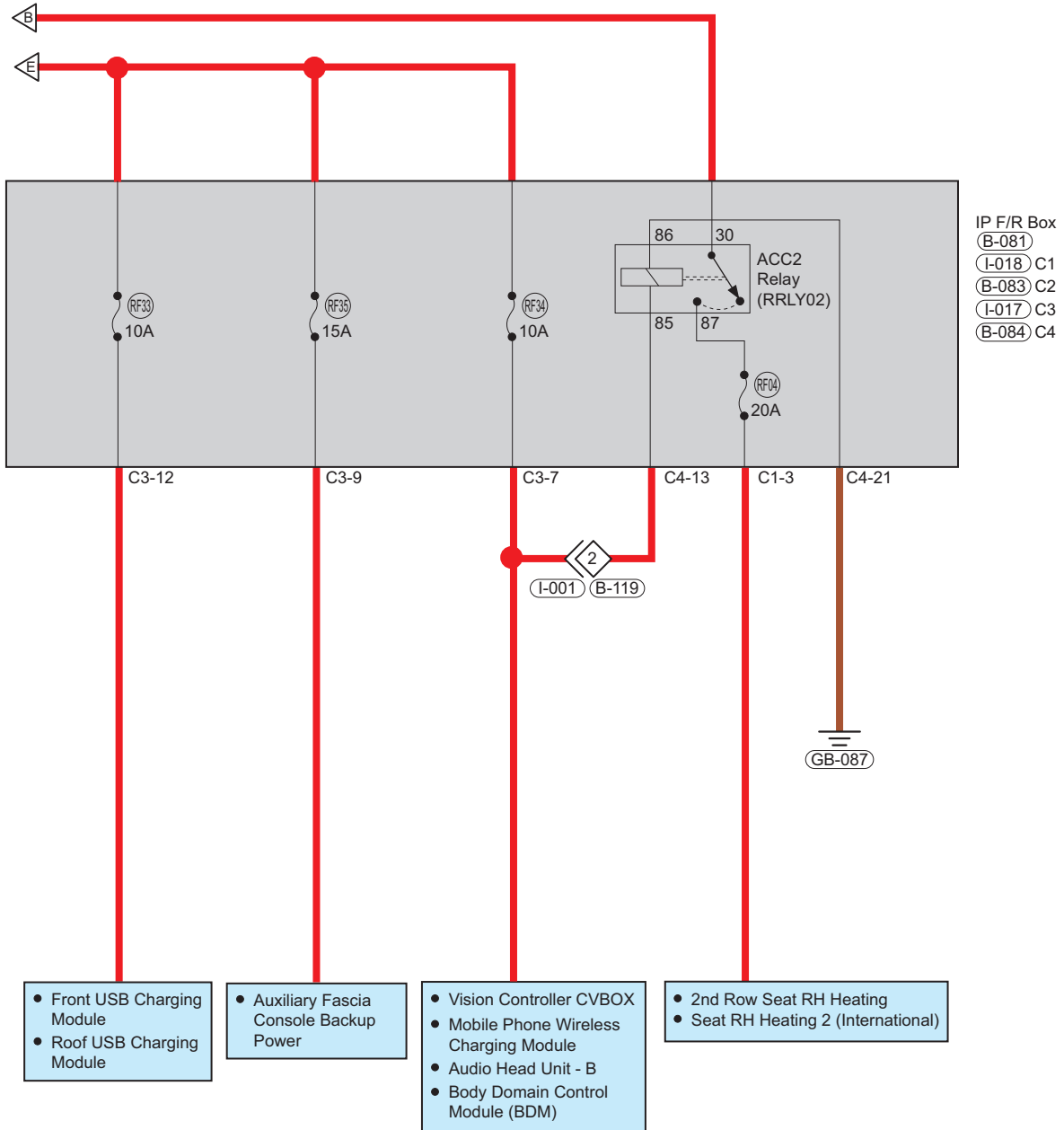
No.	Definition	Description
[1]	Connector	It indicates the connector connected to the part. (This number indicates the terminal number.)
[2]	Connector Code	It indicates the connector code.
[3]	Connector Color	It indicates the connector color.
[4]	Connecting Wire Connector	It indicates shape of connector that combines the wire harness Left side: Shape of male connector Right side: Shape number of female connector indicates terminal number.
[5]	Terminal No.	Numbers indicate terminal numbers. Numbering system for male and female connectors is different Example: <div style="display: flex; justify-content: space-around; align-items: flex-start;"> <div style="text-align: center;"> <p>Numbered sequentially from top left to bottom right</p> <p>Female</p> </div> <div style="text-align: center;"> <p>Numbered sequentially from top right to bottom left</p> <p>Male</p> </div> </div>

Central Main Fuse and Relay Box Layout Details



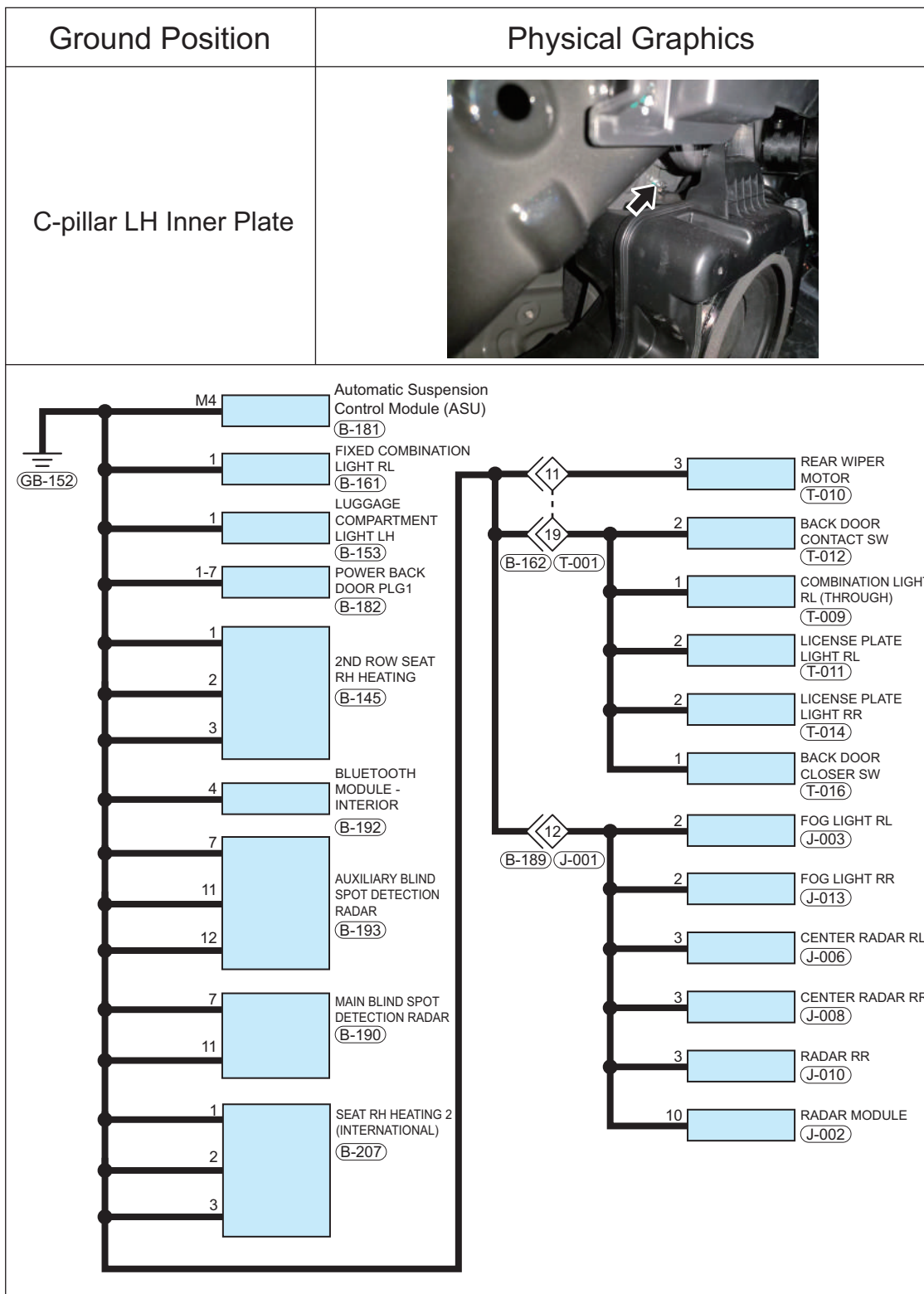
06

EFR002001



07

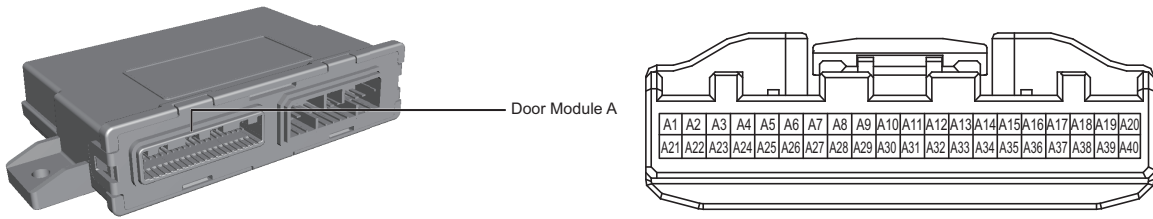
POE013001



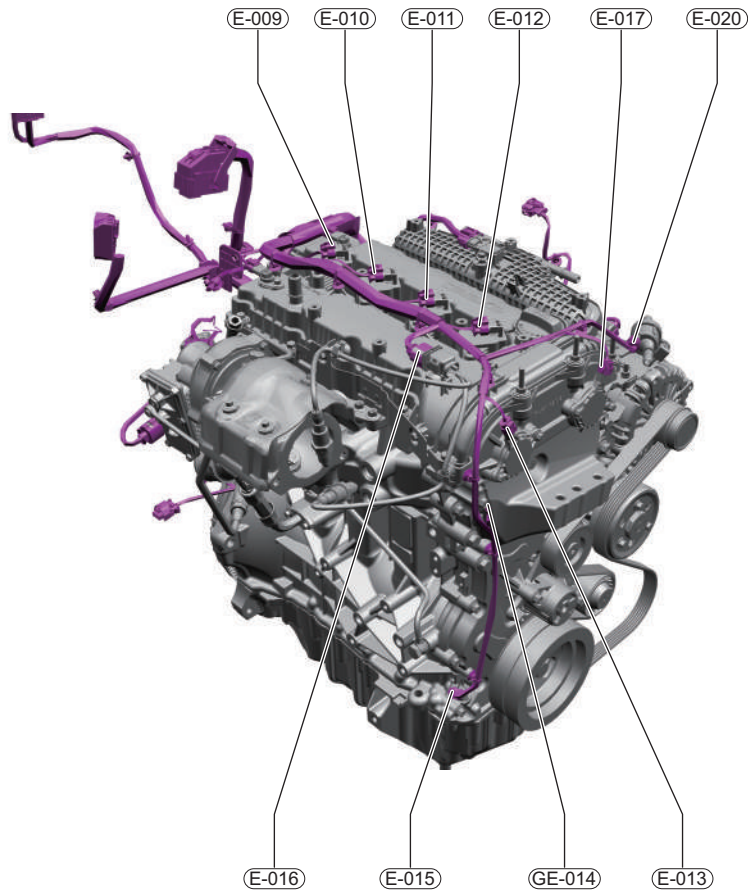
08

GDE015001

Door Module A Terminal Definition

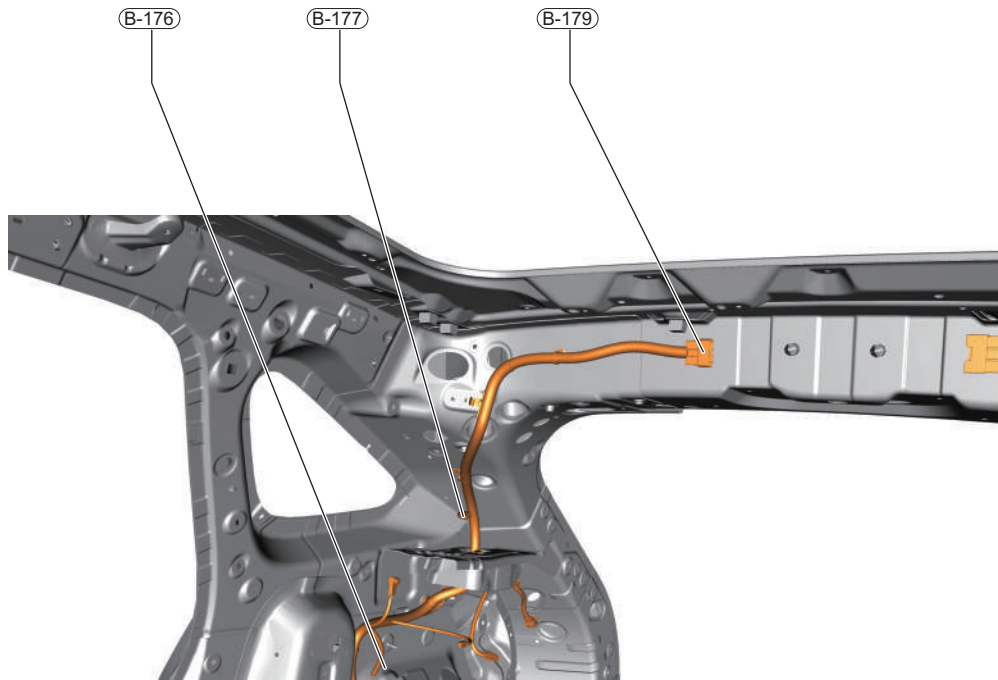


Pin	Definition	Pin	Definition
A1	Front Left Door Hidden Handle Motor +	A21	-
A2	Front Left Door Hidden Handle Motor -	A22	-
A3	Front Right Door Hidden Handle Motor +	A23	-
A4	Front Right Door Hidden Handle Motor -	A24	Front Left Door Hidden Handle Switch +
A5	Rear Left Door Hidden Handle Motor +	A25	Front Right Door Hidden Handle Switch +
A6	Rear Left Door Hidden Handle Motor -	A26	Rear Left Door Hidden Handle Switch +
A7	Rear Right Door Hidden Handle Motor +	A27	Rear Right Door Hidden Handle Switch +
A8	Rear Right Door Hidden Handle Motor -	A28	Front Left Door Power Release Switch
A9	Analog Ground	A29	Collision Signal Input
A10	B-CAN H	A30	Front Right Door Lock Motor Door Open Signal
A11	B-CAN L	A31	Rear Left Door Lock Motor Door Open Signal
A12	-	A32	Rear Right Door Lock Motor Door Open Signal
A13	-	A33	Front Left Door Lock Motor Door Open Signal
A14	-	A34	Front Right Door Lock Motor Door Open Signal
A15	-	A35	Rear Left Door Lock Motor Door Open Signal
A16	Front Left Door Hidden Handle HALL +	A36	Rear Right Door Lock Motor Door Open Signal
A17	Front Right Door Hidden Handle HALL +	A37	Front Right Door Power Release Switch



WHE003001

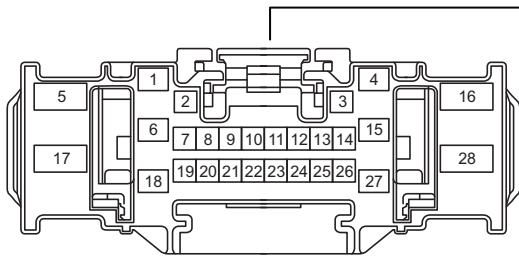
Connector Number	Connector Color/Pin	Connector Name
E-009	B/4	Ignition Coil 4
E-010	B/4	Ignition Coil 3
E-011	B/4	Ignition Coil 2
E-012	B/4	Ignition Coil 1
E-013	B/2	Variable Valve Timing - Exhaust
GE-014	B/1	G401
E-015	B/2	Variable Oil Pump
E-016	B/6	Upstream Oxygen Sensor
E-017	B/2	Variable Valve Timing - Intake
E-020	B/2	Canister Solenoid Valve



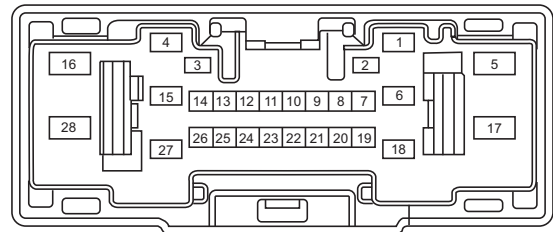
WHE026003

Connector Number	Connector Color/Pin	Connector Name
B-176	W/14	2nd Row Seat Fuse and Relay Box
B-177	B/16	Roof Wire Harness Interface
B-179	B/16	Rear Right Back Door Wire Harness Interface

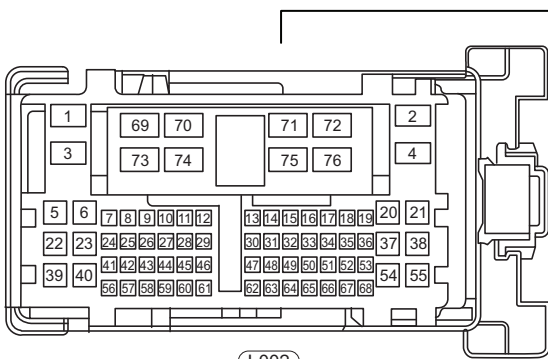
Instrument Wire Harness Connector List



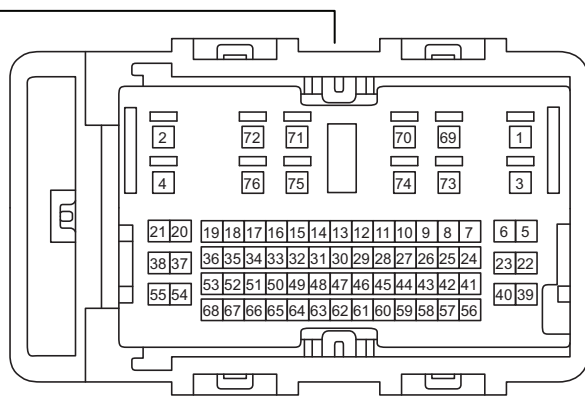
I-001
W
IP to Interior LH 1



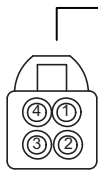
B-119
W
IP Wire Harness - L1



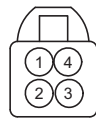
I-002
W
IP to Interior LH 2



B-118
W
IP Wire Harness - L2



I-003
B
360 Four-in-one
(w/o Pilot Configuration)



B-117
B
360 Four-in-one
(w/o Pilot Configuration)



I-004
W
Surround View Camera
Video Output/HD
Reversing View



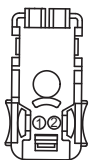
B-116
W
Reversing
View Camera



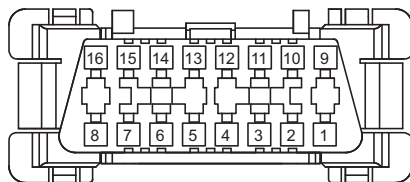
I-005
L
Radio Antenna



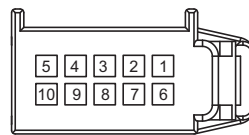
B-115
L
Radio Antenna



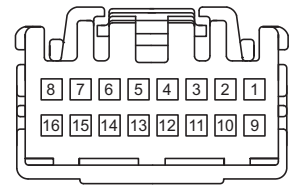
I-006
B
Driver Knee Airbag



I-007
W
Driver Diagnostic Interface OBD

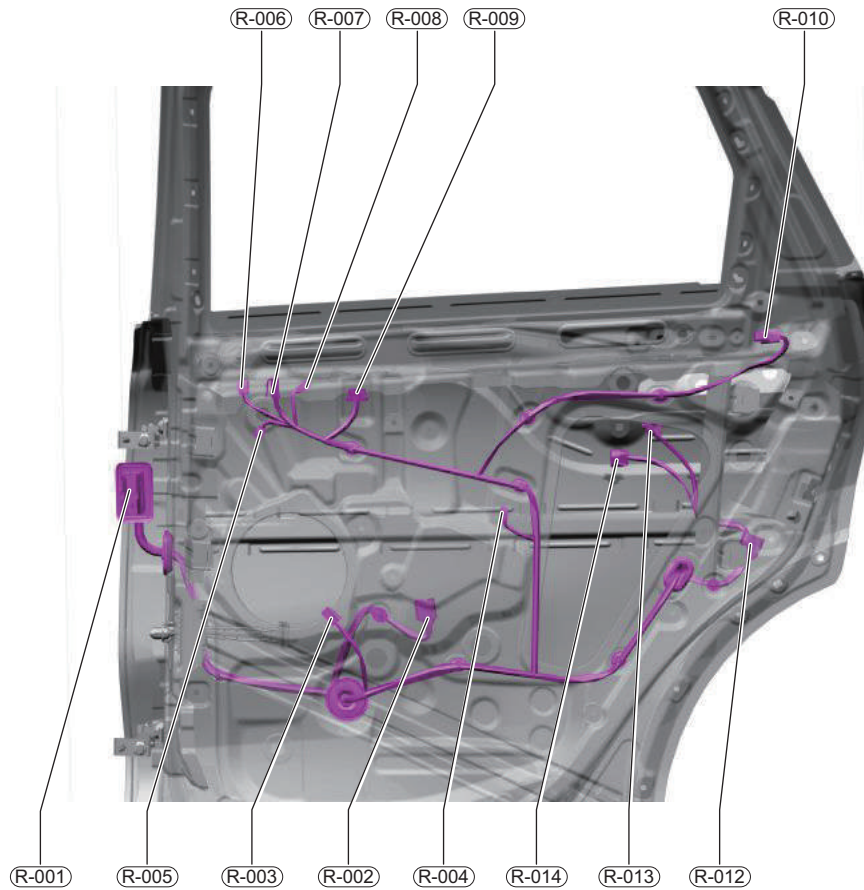


I-008
B
Light SW



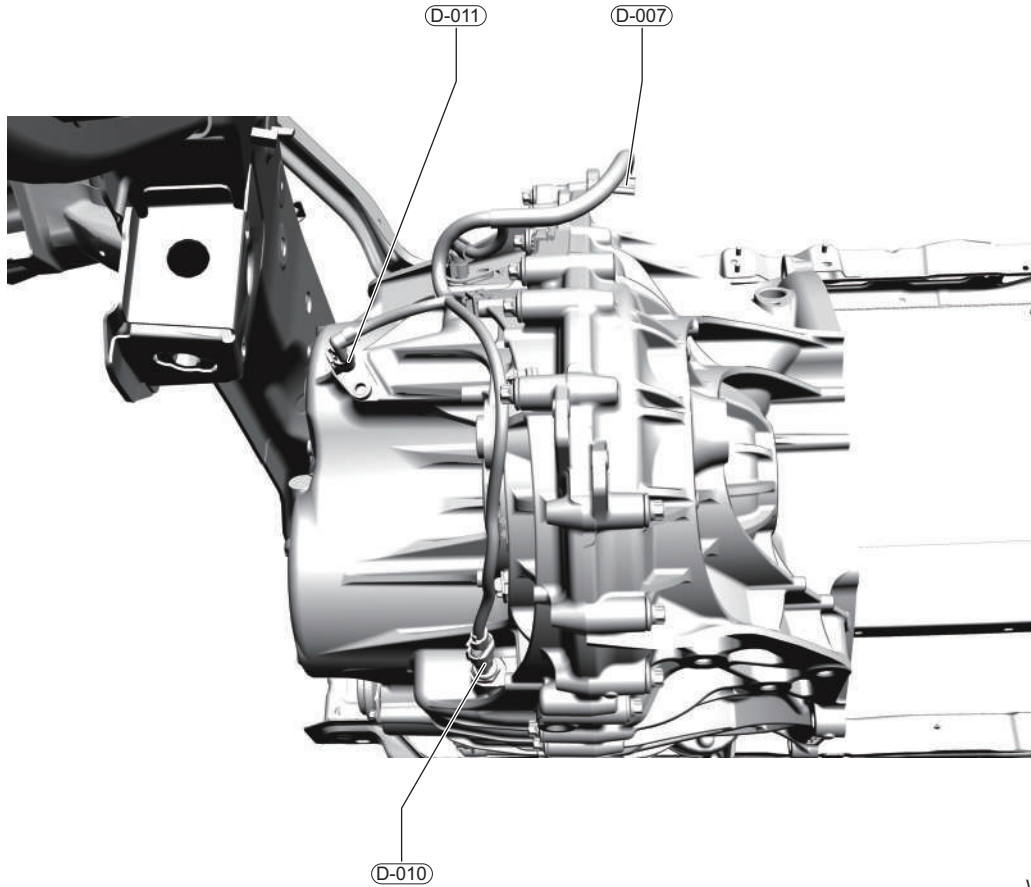
I-009
W
Spiral Cable

Rear Right Door Wire Harness



WHE039001

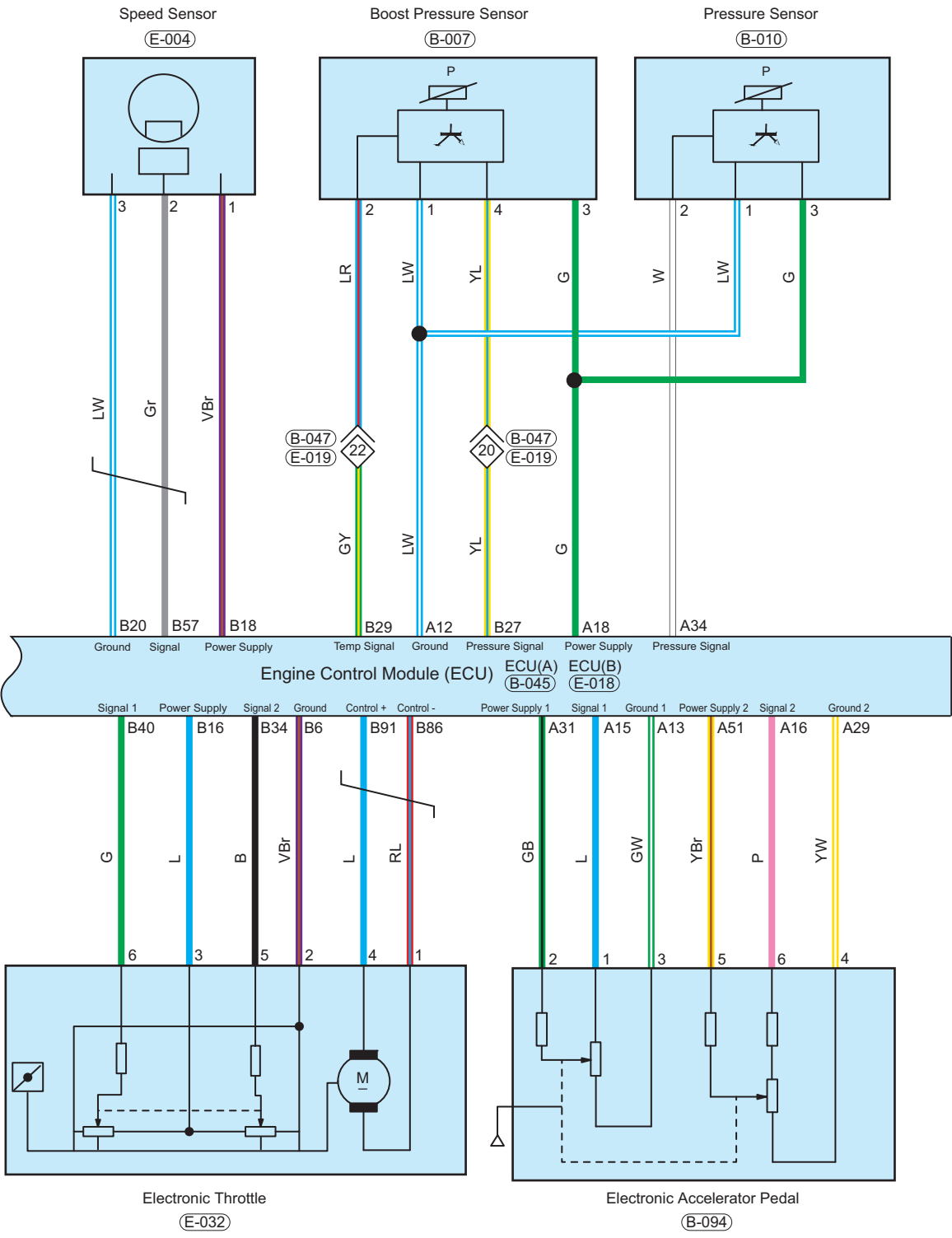
Connector Number	Connector Color/Pin	Connector Name
R-001	B/52	Rear Right Door to Body
R-002	B/2	Rear Right Glass Regulator Motor
R-003	B/2	Rear Right Door Woofer
R-004	B/4	Rear Right Glass Regulator Switch
R-005	W/4	Rear Right Door Power Release Switch
R-006	W/6	Rear Right Door Ambient Light
R-007	B/2	Rear Right Door Tweeter
R-008	W/2	Rear Right Door DOW Warning Light
R-009	W/8	Rear Right Seat Switch
R-010	B/2	Rear Right PEPS Antenna
R-012	B/8	Rear Right Door Lock Motor (High Configuration)
R-013	B/4	Bluetooth Module - Rear Right Door
R-014	B/6	Rear Right Door Hidden Handle (High Configuration)



WHE045001

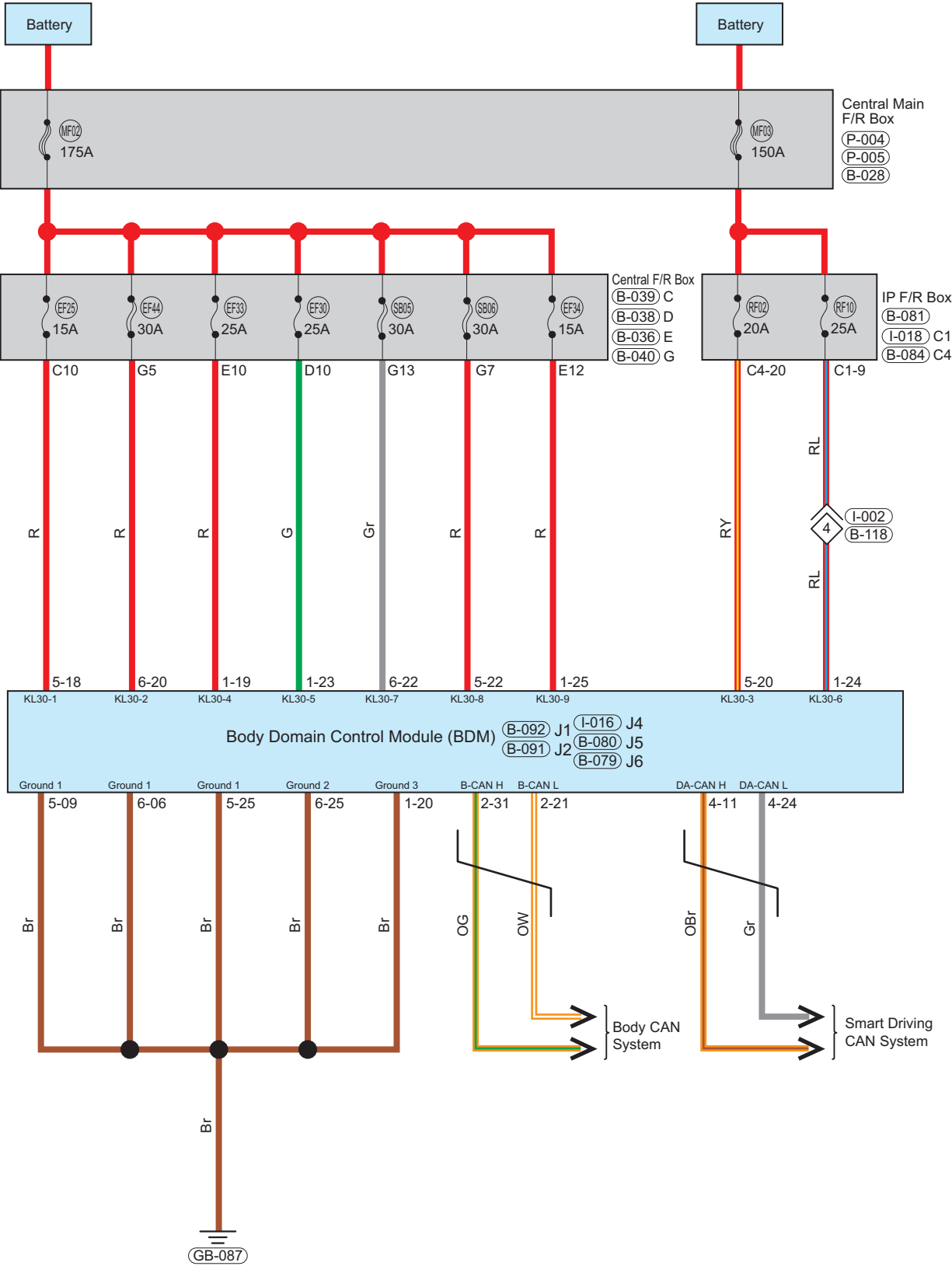
Connector Number	Connector Color/Pin	Connector Name
D-007	B/2	Temperature Sensor
D-010	B/2	Input Shaft Speed Sensor 2
D-011	B/2	Input Shaft Speed Sensor 1

Air Intake System



ITE002001

BDM Power Supply System

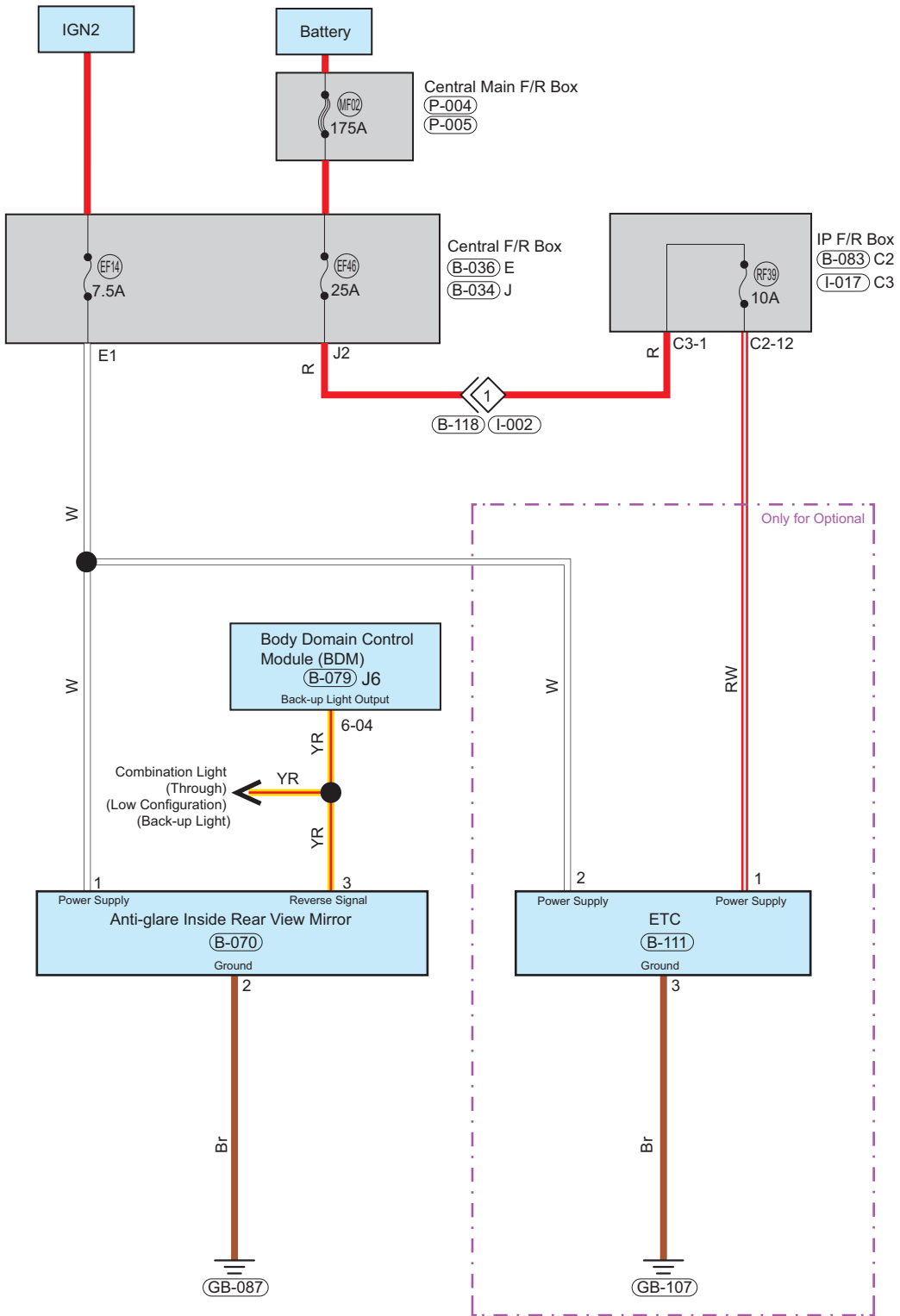


BDM001001

Ambient Light

Wire Harness Connector	Name	Page Number
P-004	Positive Battery Terminal	10-10
P-005	Central F/R Box Terminal	10-10
I-001	Instrument Panel to Interior Left 1 B-119	10-89
I-002	Instrument Panel to Interior Left 2 B-118	10-89
I-016	Body Domain Control Module (BDM) J4	10-90
I-017	Instrument Panel F/R Box C3	10-90
I-019	Instrument Panel Ambient Light	10-90
GI-034	G503	10-90
I-062	Outlet Ambient Light	10-92
I-066	Instrument Panel Right Ambient Light	10-92
B-034	Central F/R Box J	10-63
B-083	Instrument Panel F/R Box C2	10-65
B-085	Front Left Door Wire Harness Interface F-001	10-66
GB-087	G605	10-65
B-091	Body Domain Control Module (BDM) J2	10-65
B-102	Front Right Door Wire Harness Interface H-001	10-67
GB-107	G610	10-67
B-118	Instrument Panel Wire Harness Interface - L2 I-002	10-68
B-119	Instrument Panel Wire Harness Interface - L1 I-001	10-68
GB-139	G607-2	10-69
B-141	Rear Right Door Wire Harness Interface R-001	10-69
GB-143	G616-2	10-70
B-157	Rear Left Door Wire Harness Interface L-001	10-70
F-001	Front Left Door to Body B-085	10-96
F-005	Front Left Door Ambient Light	10-96
F-009	Front Left Door Ambient Light - Area Light Source	10-96
H-001	Front Right Door to Body B-102	10-98
H-005	Front Right Door Ambient Light	10-98

Inside Rear View Mirror, ETC



IRE001001