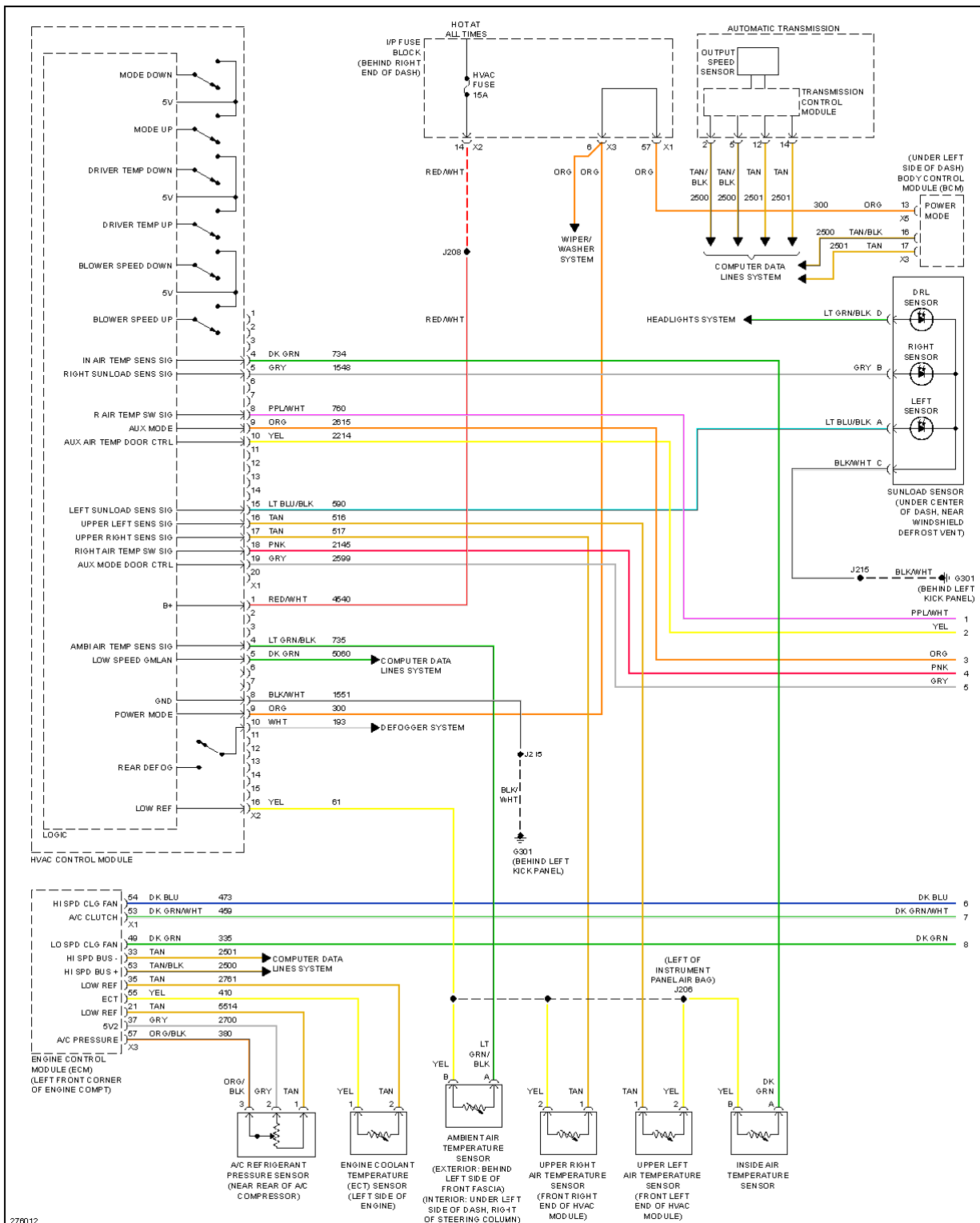


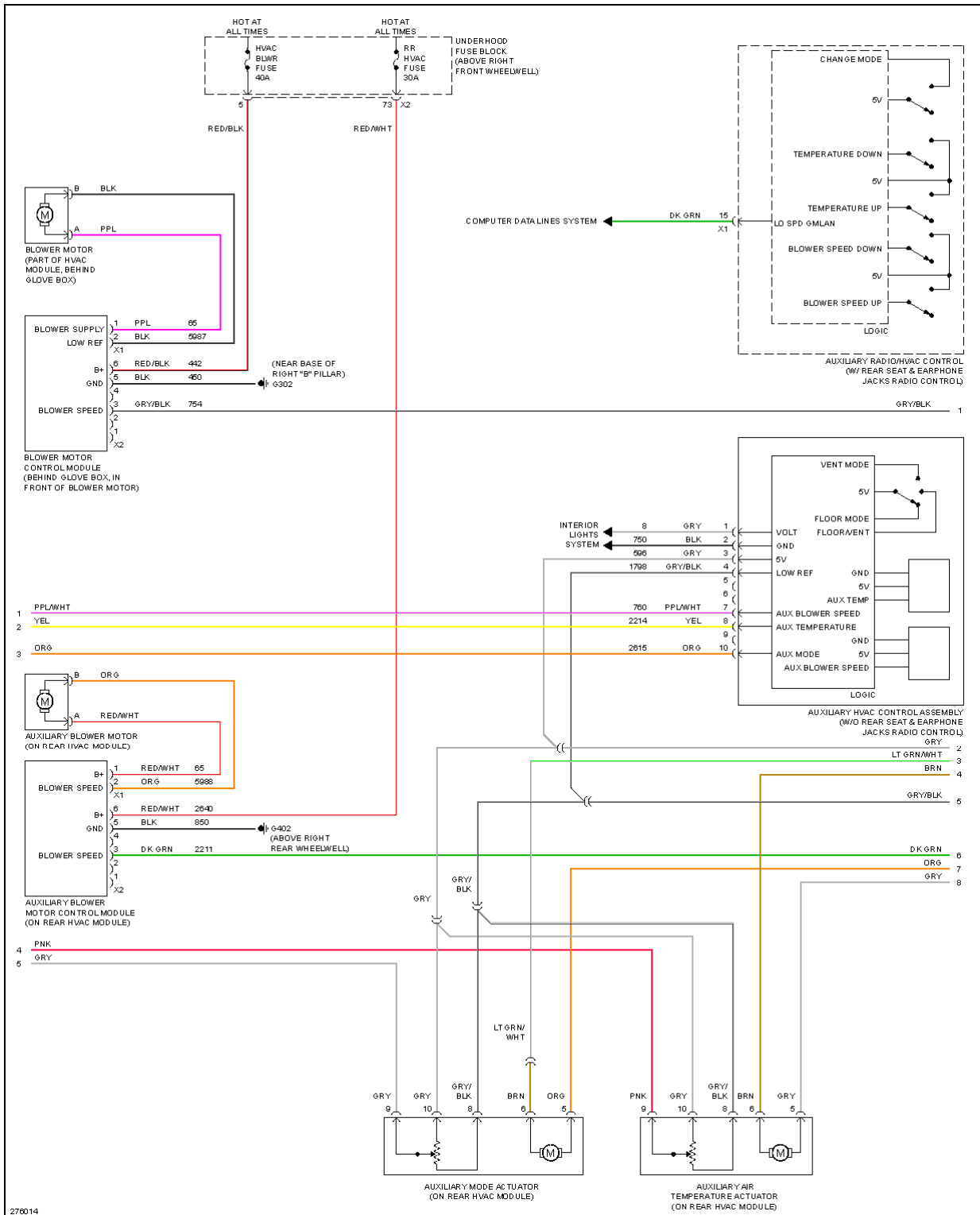
2008 GMC Acadia SLT

2008 SYSTEM WIRING DIAGRAMS GMC - Acadia



2008 GMC Acadia SLT

2008 SYSTEM WIRING DIAGRAMS GMC - Acadia



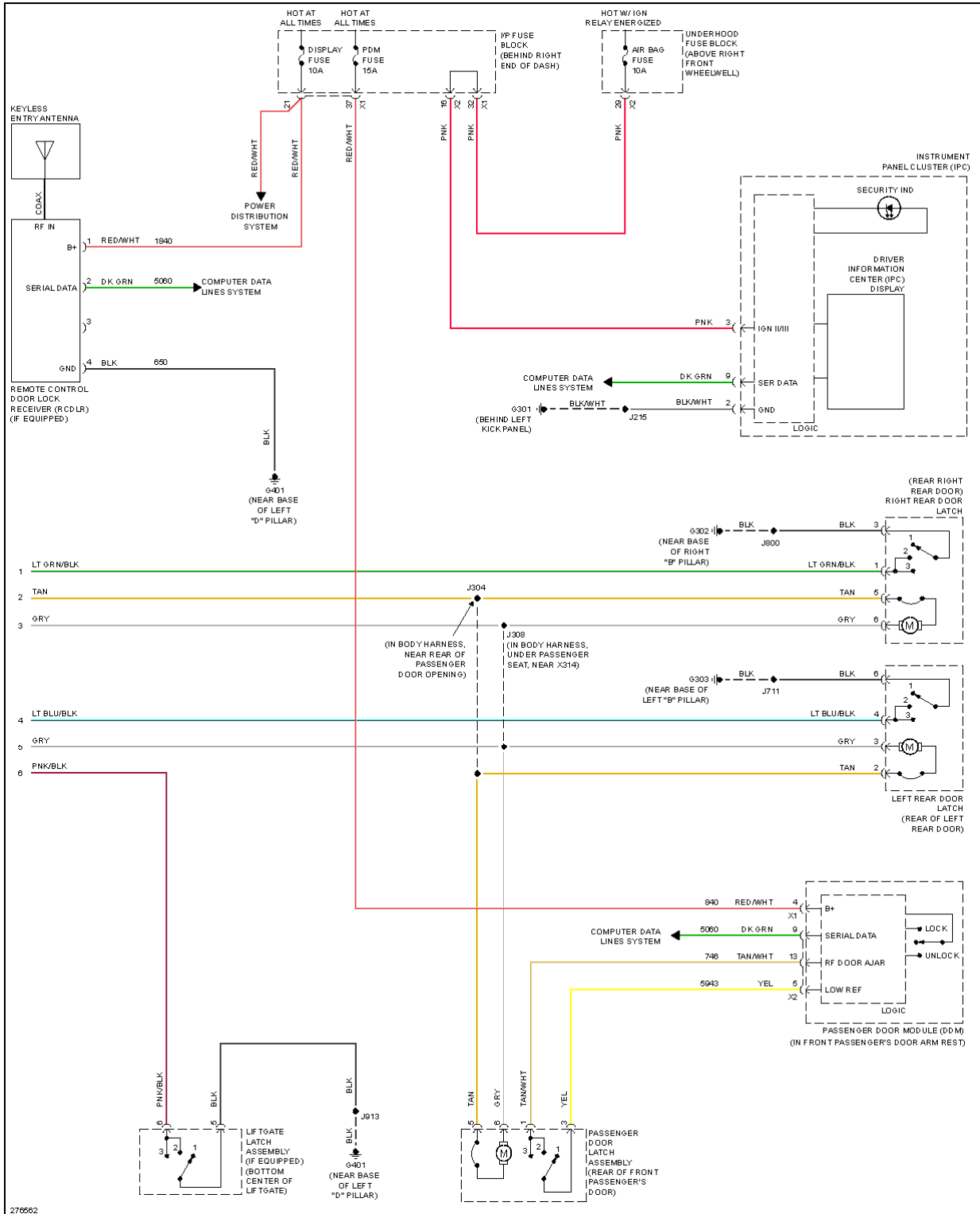
2008 GMC Acadia SLT

2008 SYSTEM WIRING DIAGRAMS GMC - Acadia

Fig. 5: Compressor Circuit, W/ Auto A/C

2008 GMC Acadia SLT

2008 SYSTEM WIRING DIAGRAMS GMC - Acadia



2008 GMC Acadia SLT

2008 SYSTEM WIRING DIAGRAMS GMC - Acadia

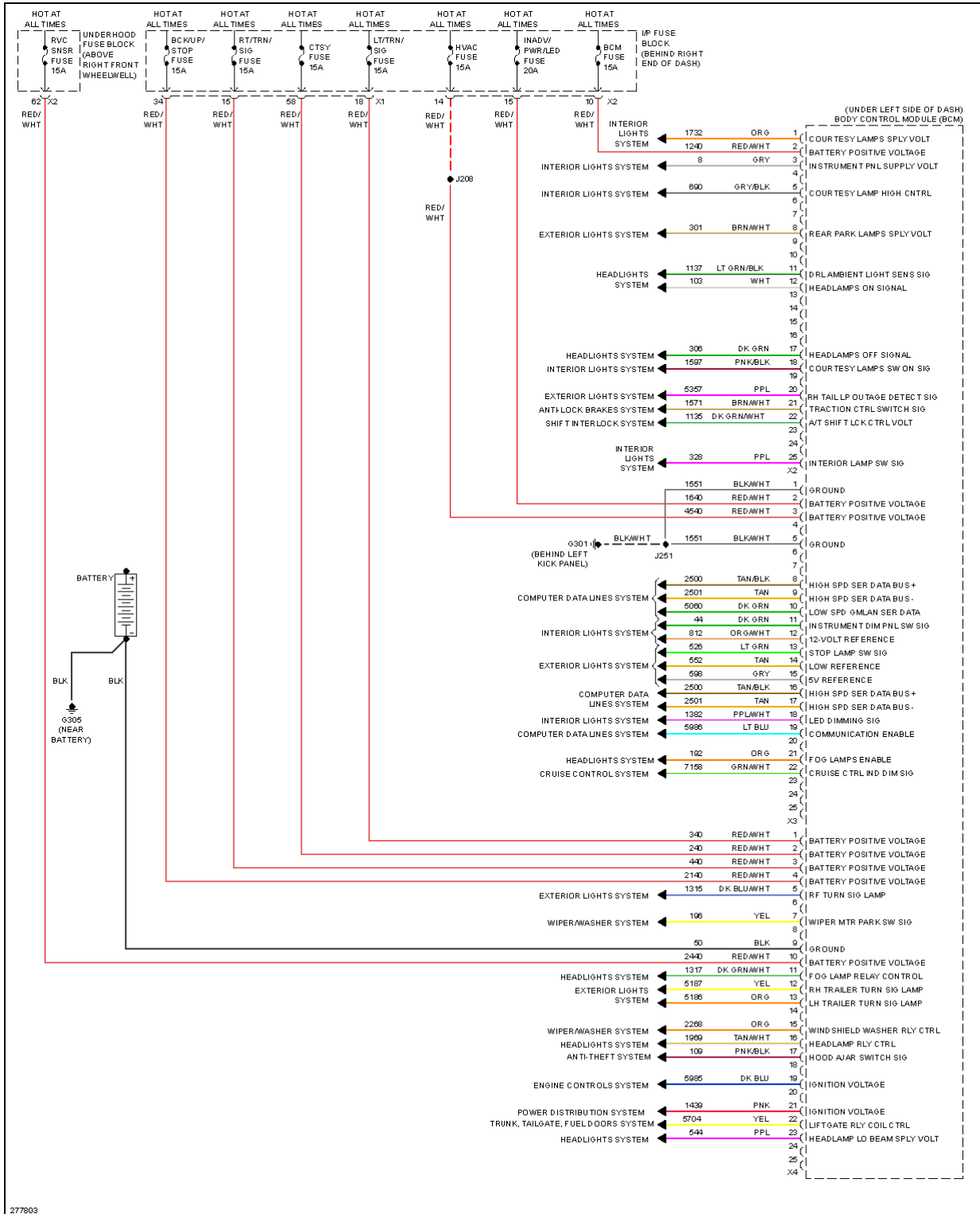


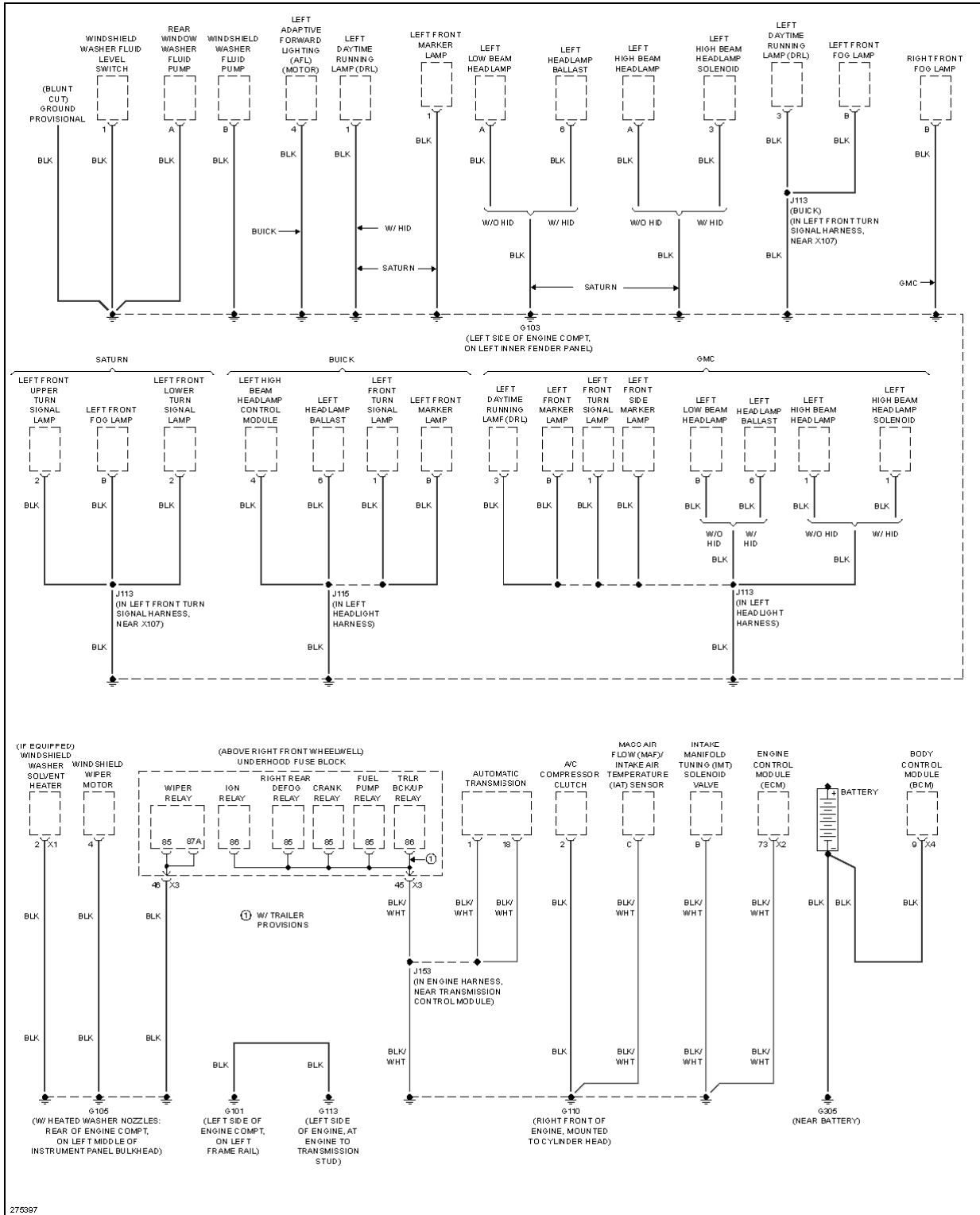
Fig. 24: Electronic Power Steering Circuit

ENGINE PERFORMANCE

3.6L VIN 7

2008 GMC Acadia SLT

2008 SYSTEM WIRING DIAGRAMS GMC - Acadia



2008 GMC Acadia SLT

2008 SYSTEM WIRING DIAGRAMS GMC - Acadia

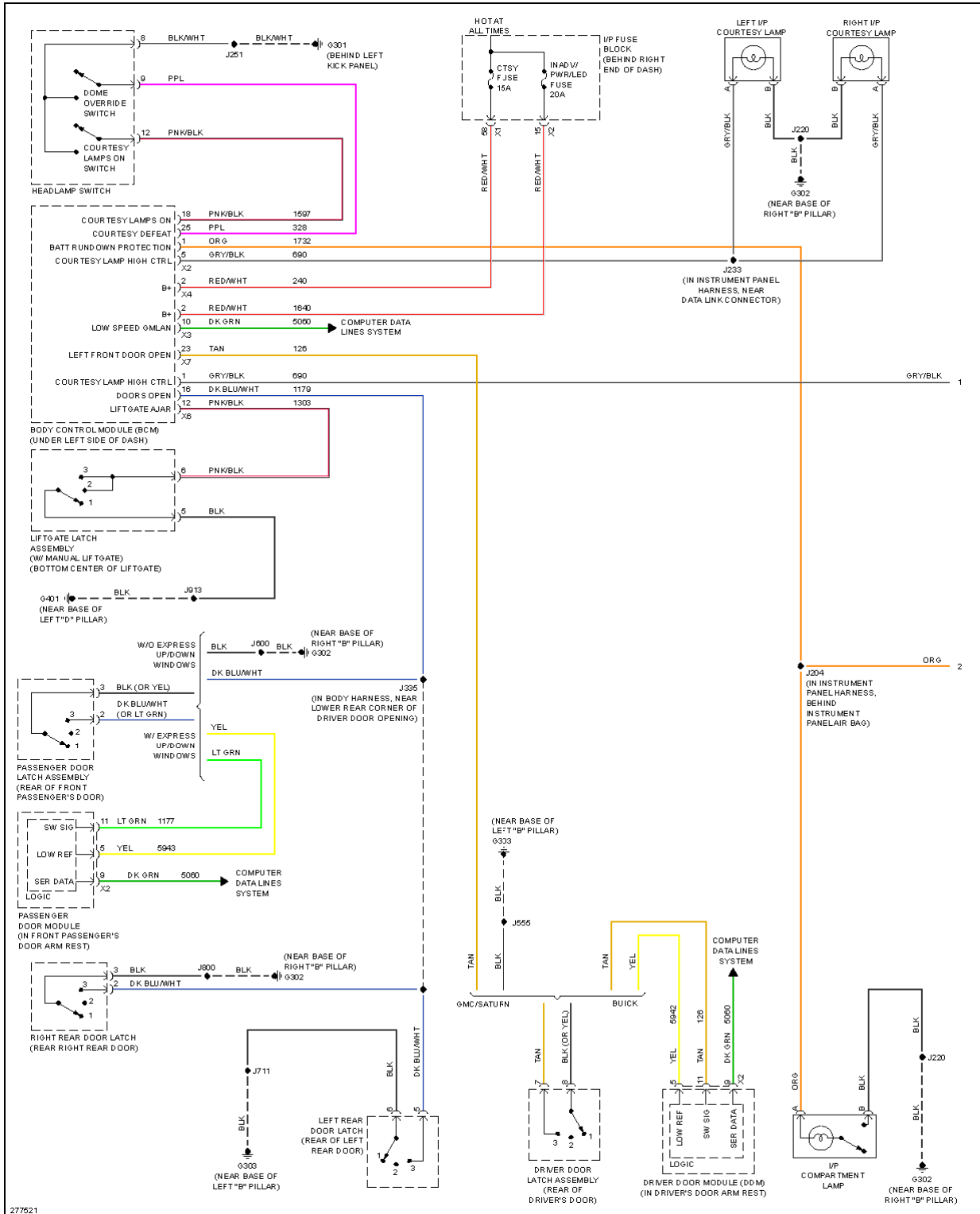
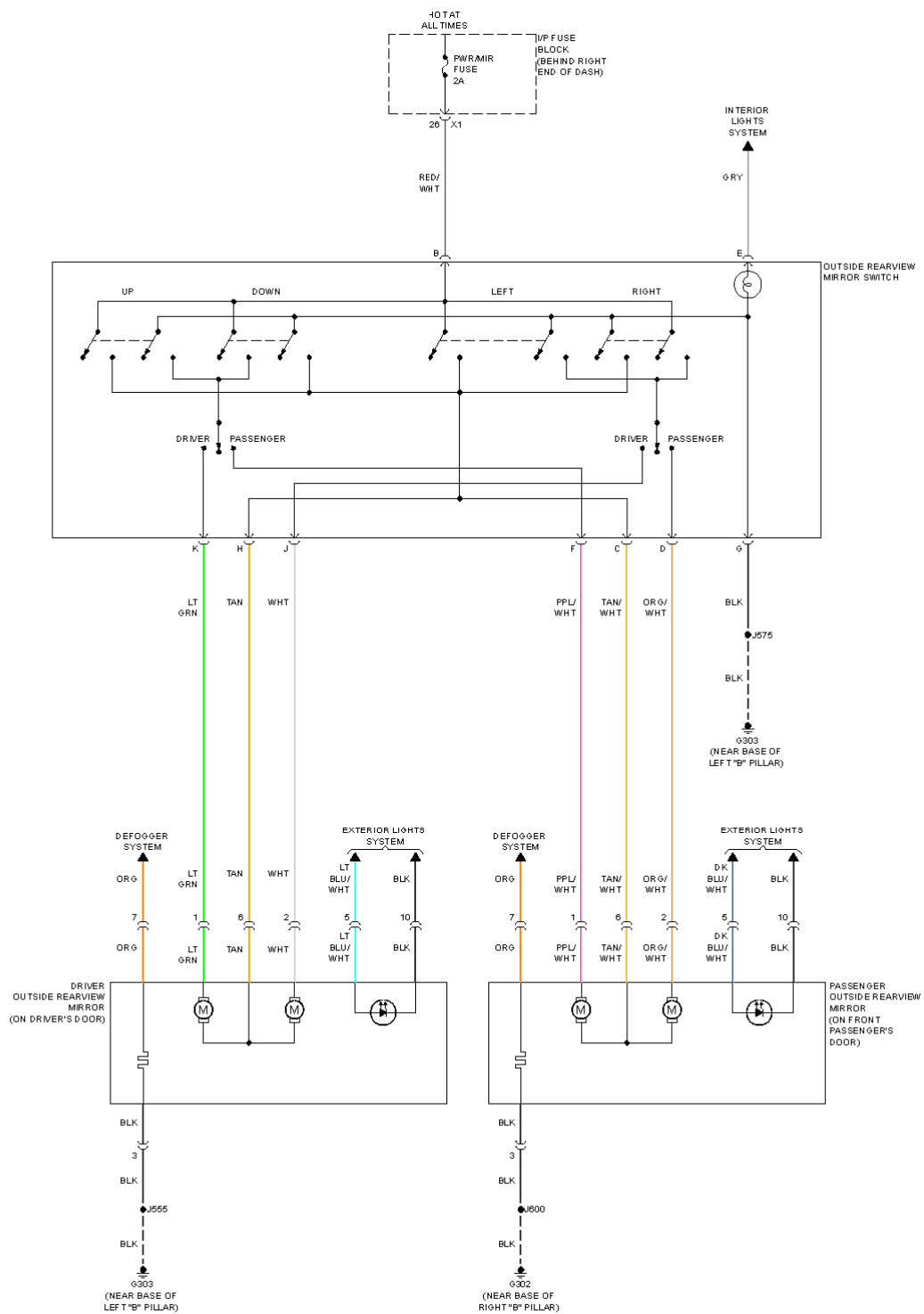


Fig. 53: Memory Mirrors Circuit (1 of 2)

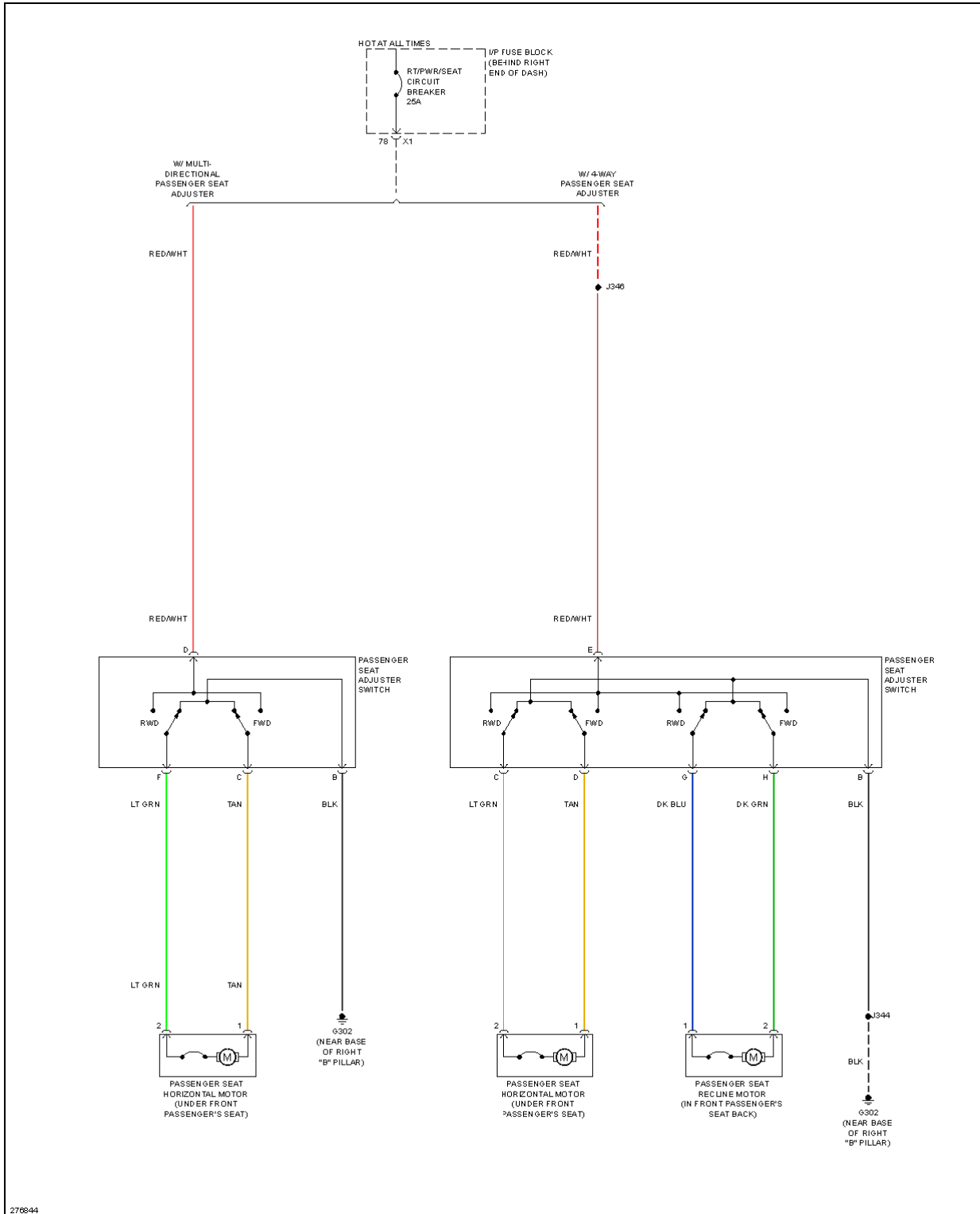
2008 GMC Acadia SLT

2008 SYSTEM WIRING DIAGRAMS GMC - Acadia



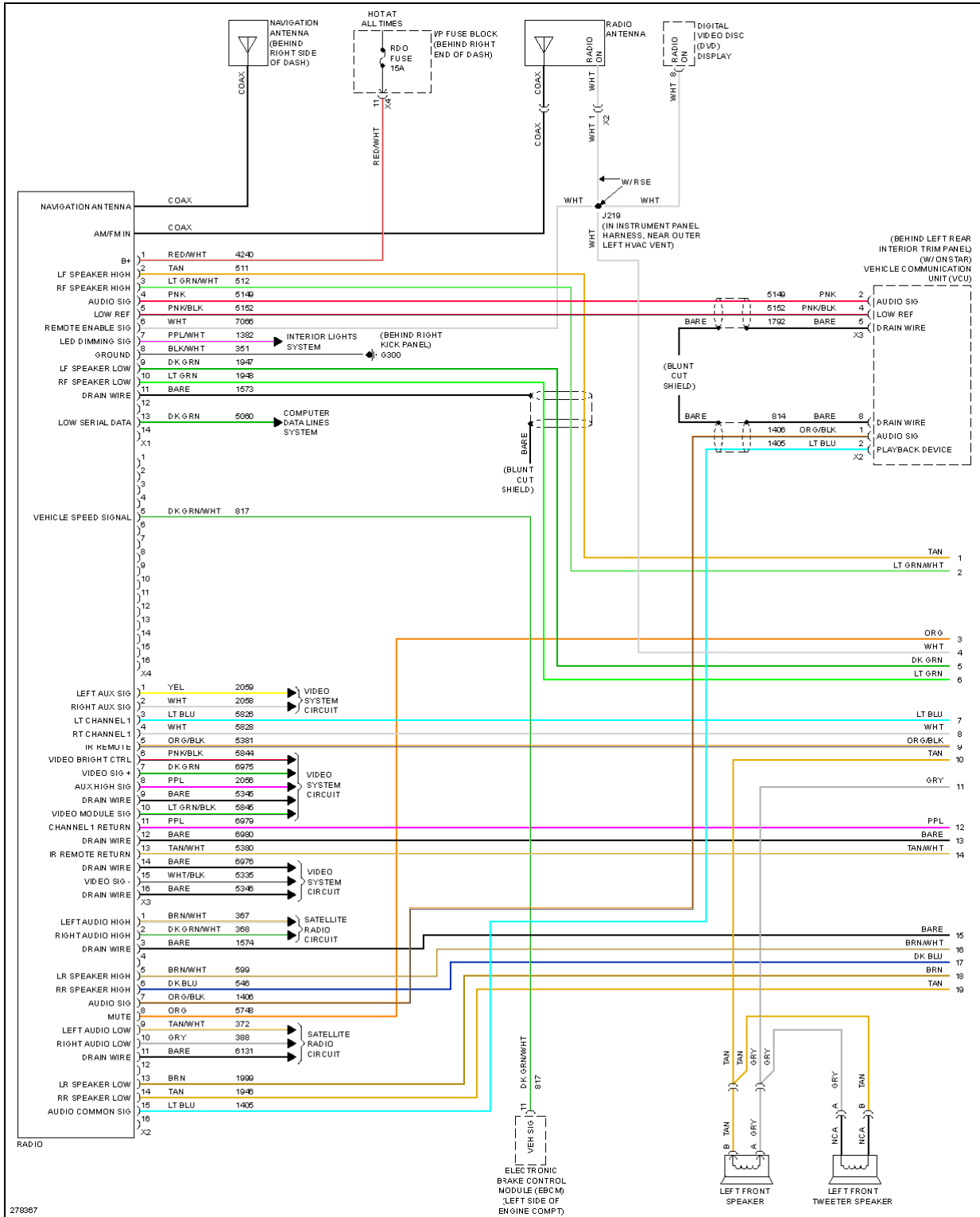
2008 GMC Acadia SLT

2008 SYSTEM WIRING DIAGRAMS GMC - Acadia



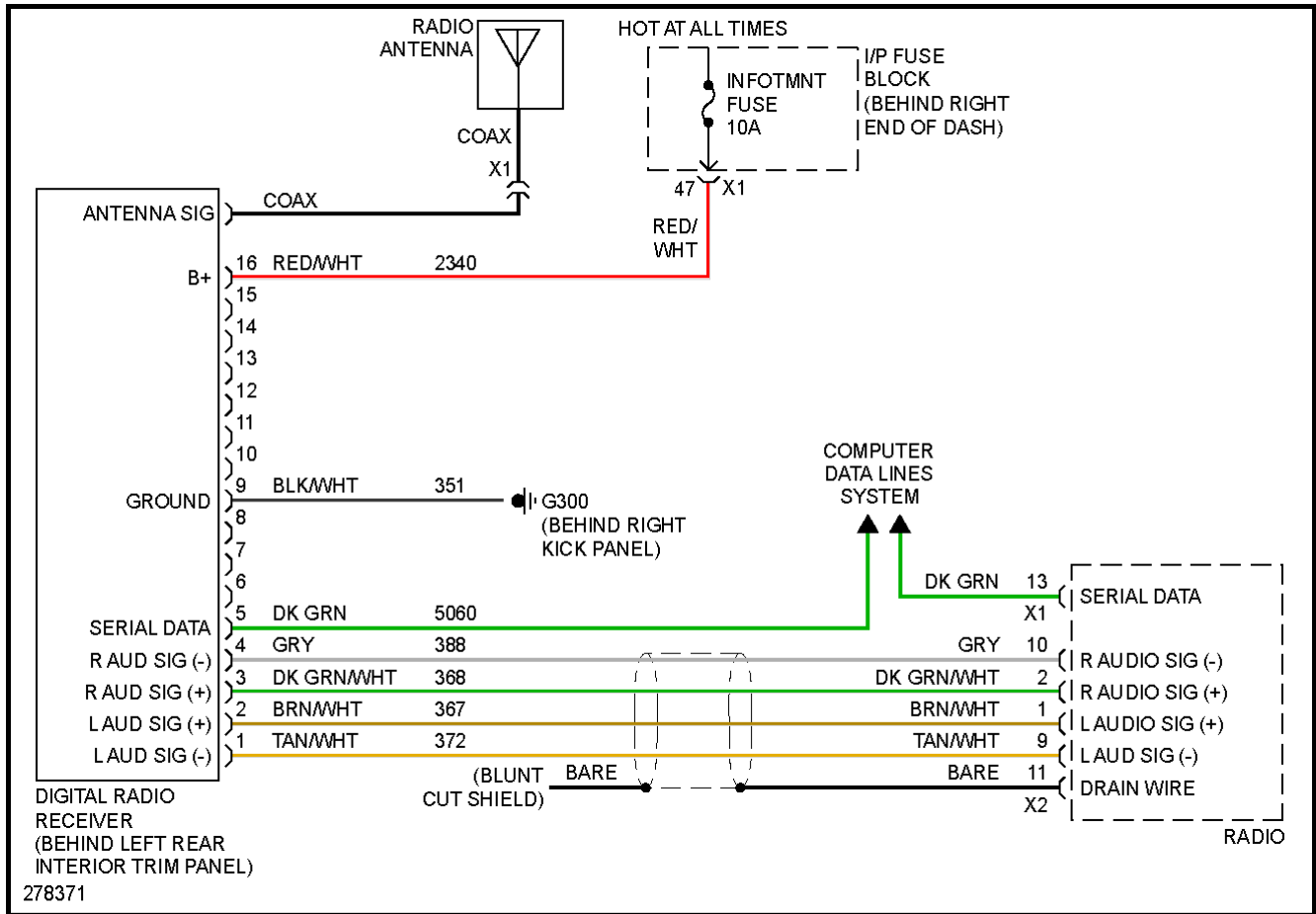
2008 GMC Acadia SLT

2008 SYSTEM WIRING DIAGRAMS GMC - Acadia



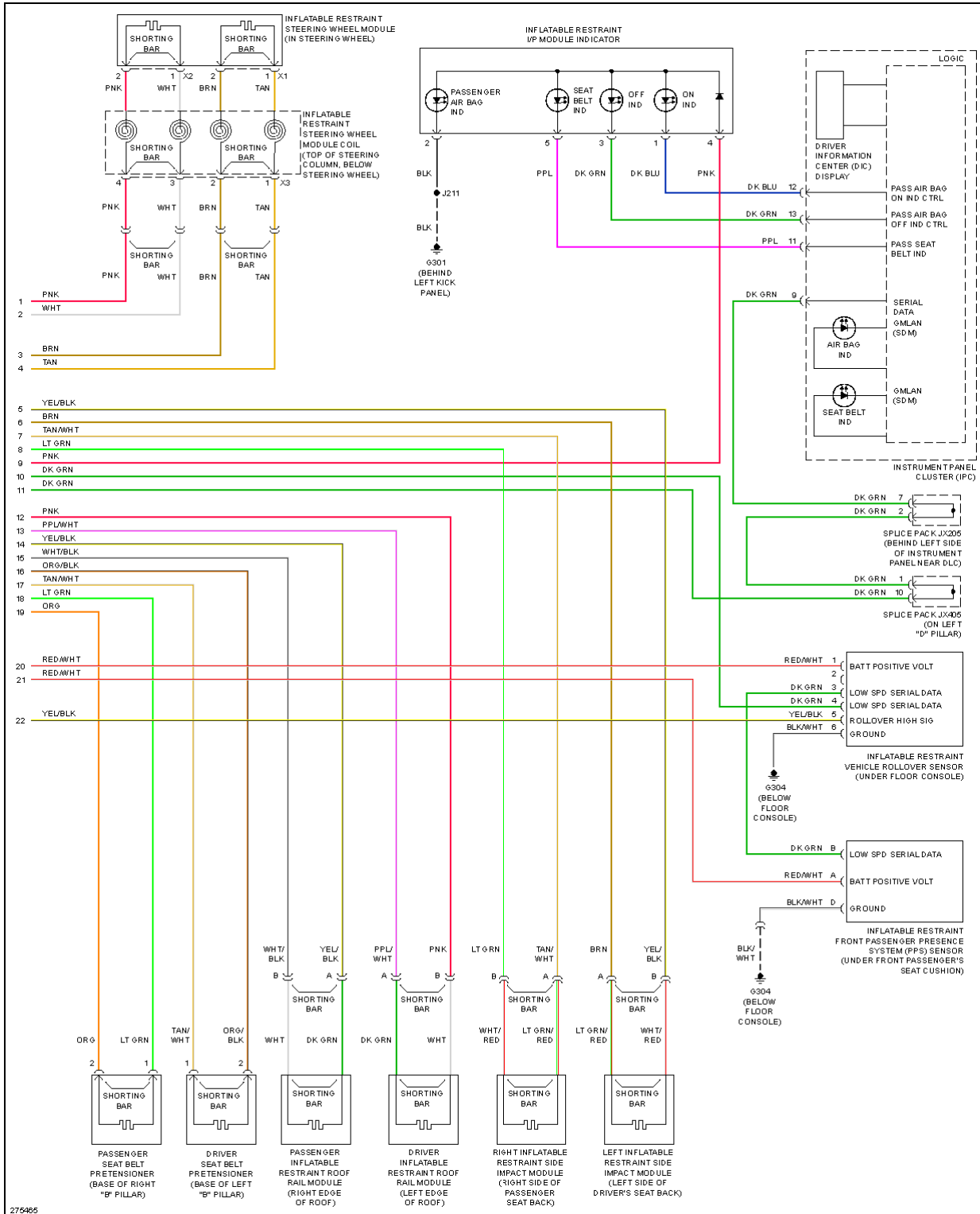
2008 GMC Acadia SLT

2008 SYSTEM WIRING DIAGRAMS GMC - Acadia



2008 GMC Acadia SLT

2008 SYSTEM WIRING DIAGRAMS GMC - Acadia



2008 GMC Acadia SLT

2008 SYSTEM WIRING DIAGRAMS GMC - Acadia

