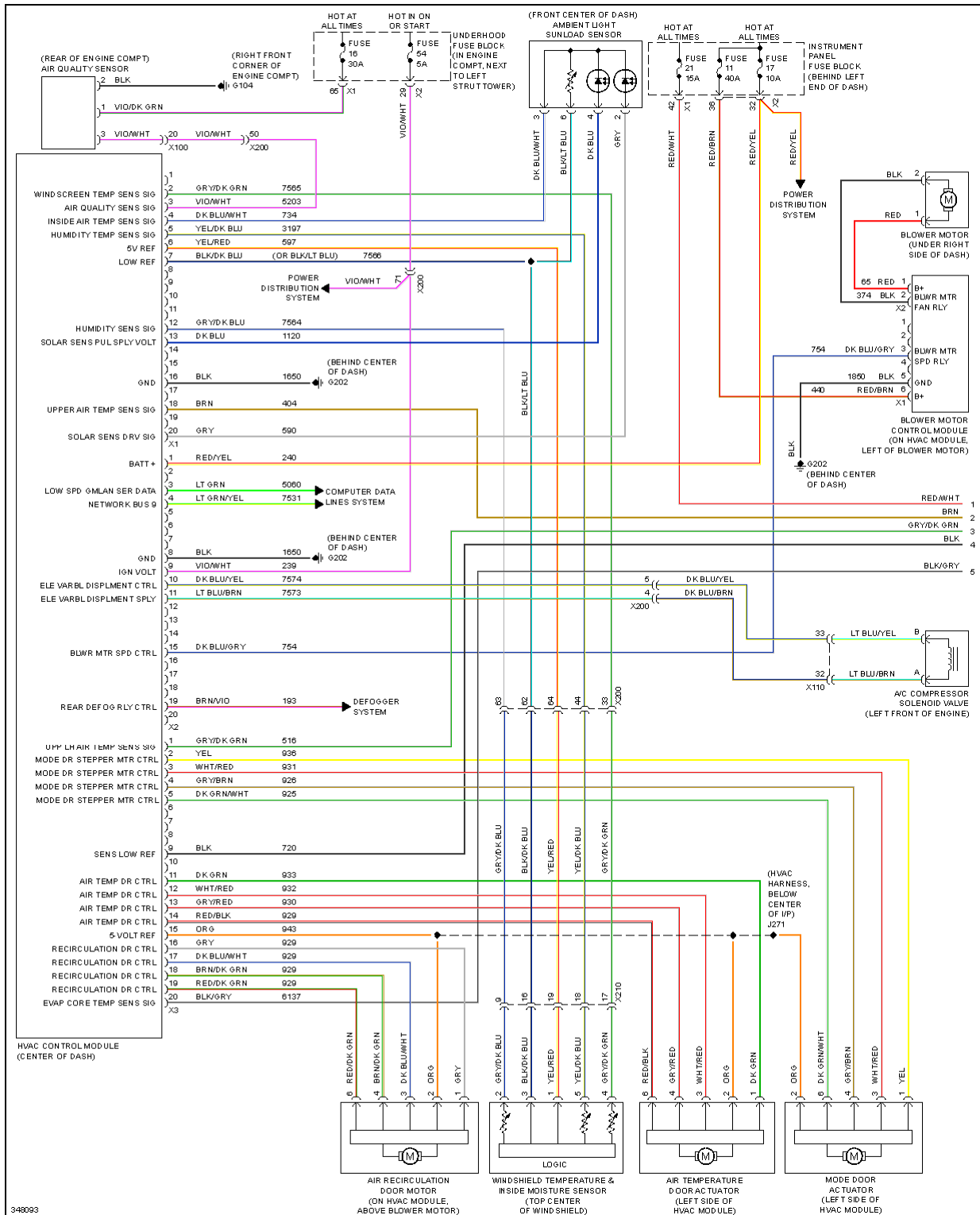


# 2013 Chevrolet Cruze

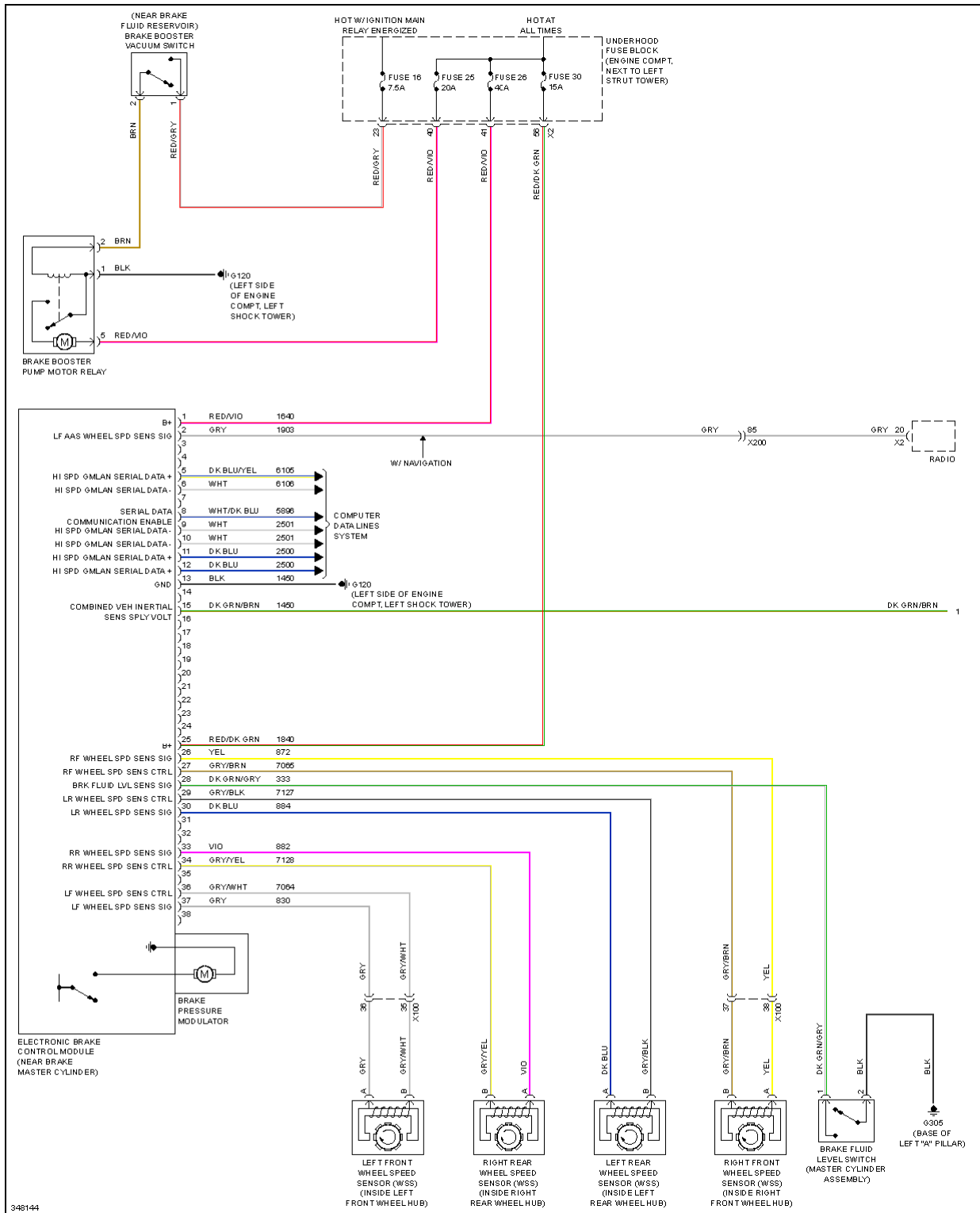
## 2013 SYSTEM WIRING DIAGRAMS Chevrolet - Cruze



**Fig. 1: Automatic A/C Circuit (1 of 2)**

# 2013 Chevrolet Cruze

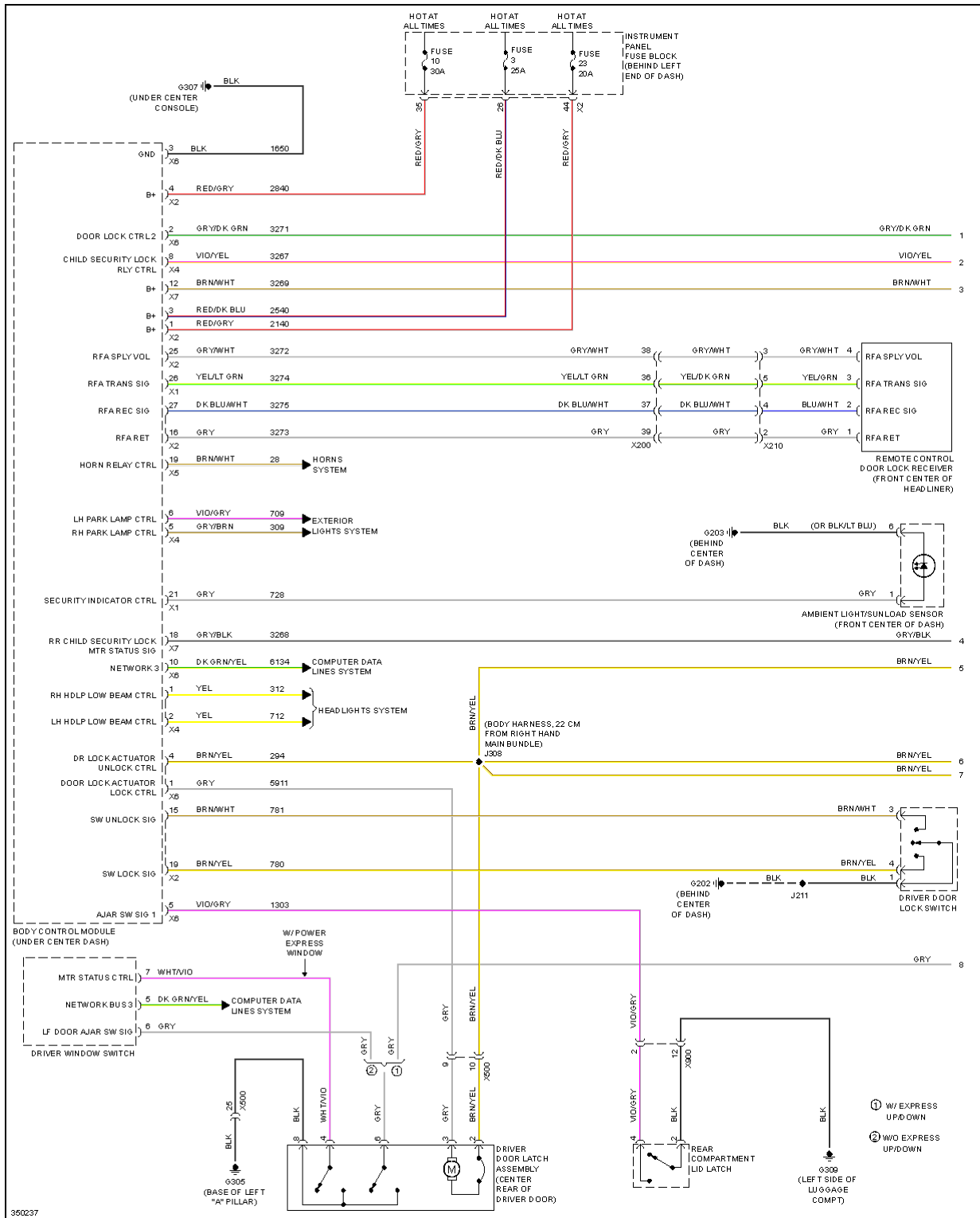
## 2013 SYSTEM WIRING DIAGRAMS Chevrolet - Cruze



**Fig. 5: Anti-lock Brakes Circuit (1 of 2)**

# 2013 Chevrolet Cruze

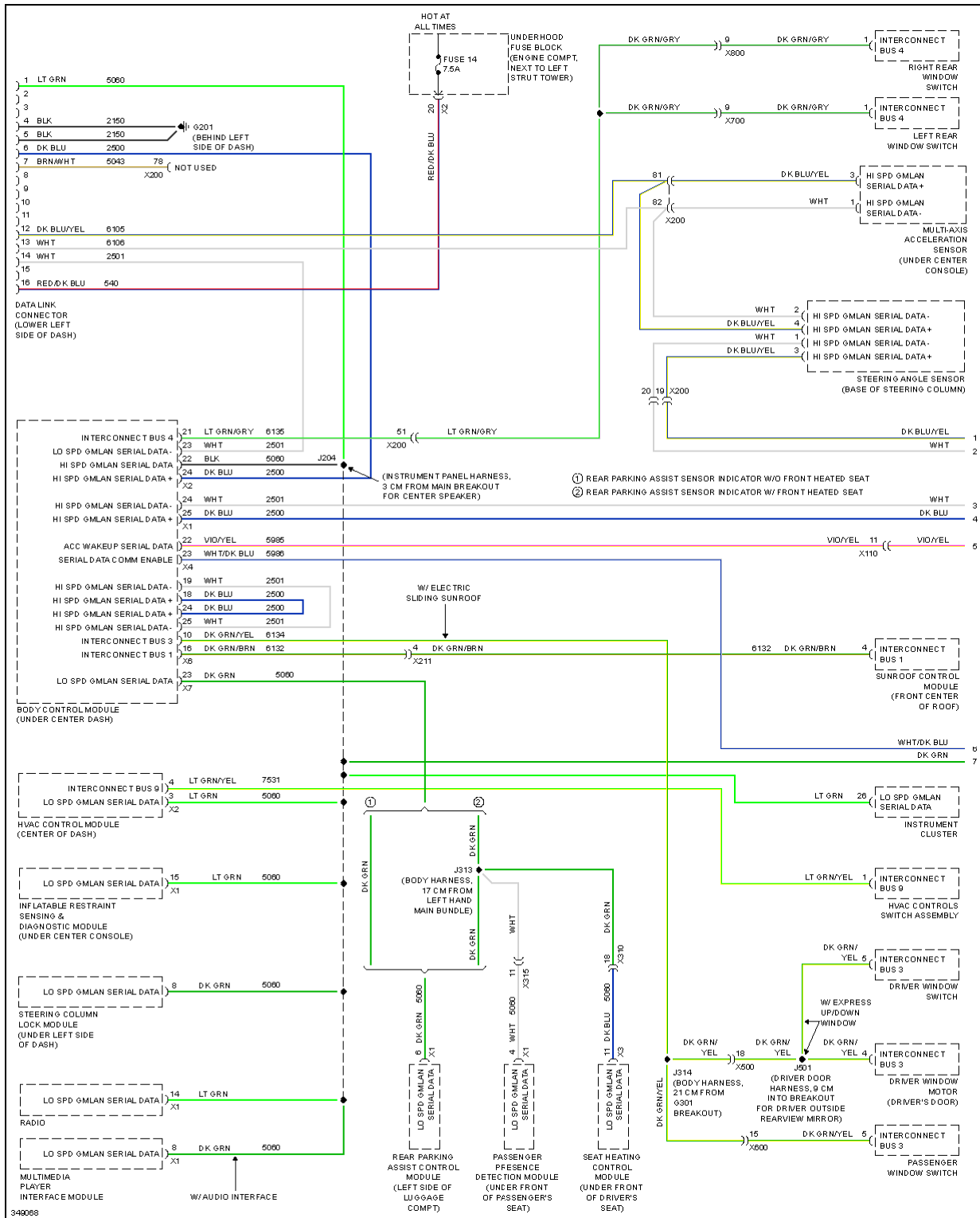
## 2013 SYSTEM WIRING DIAGRAMS Chevrolet - Cruze



**Fig. 7: Forced Entry Circuit (1 of 2)**

# 2013 Chevrolet Cruze

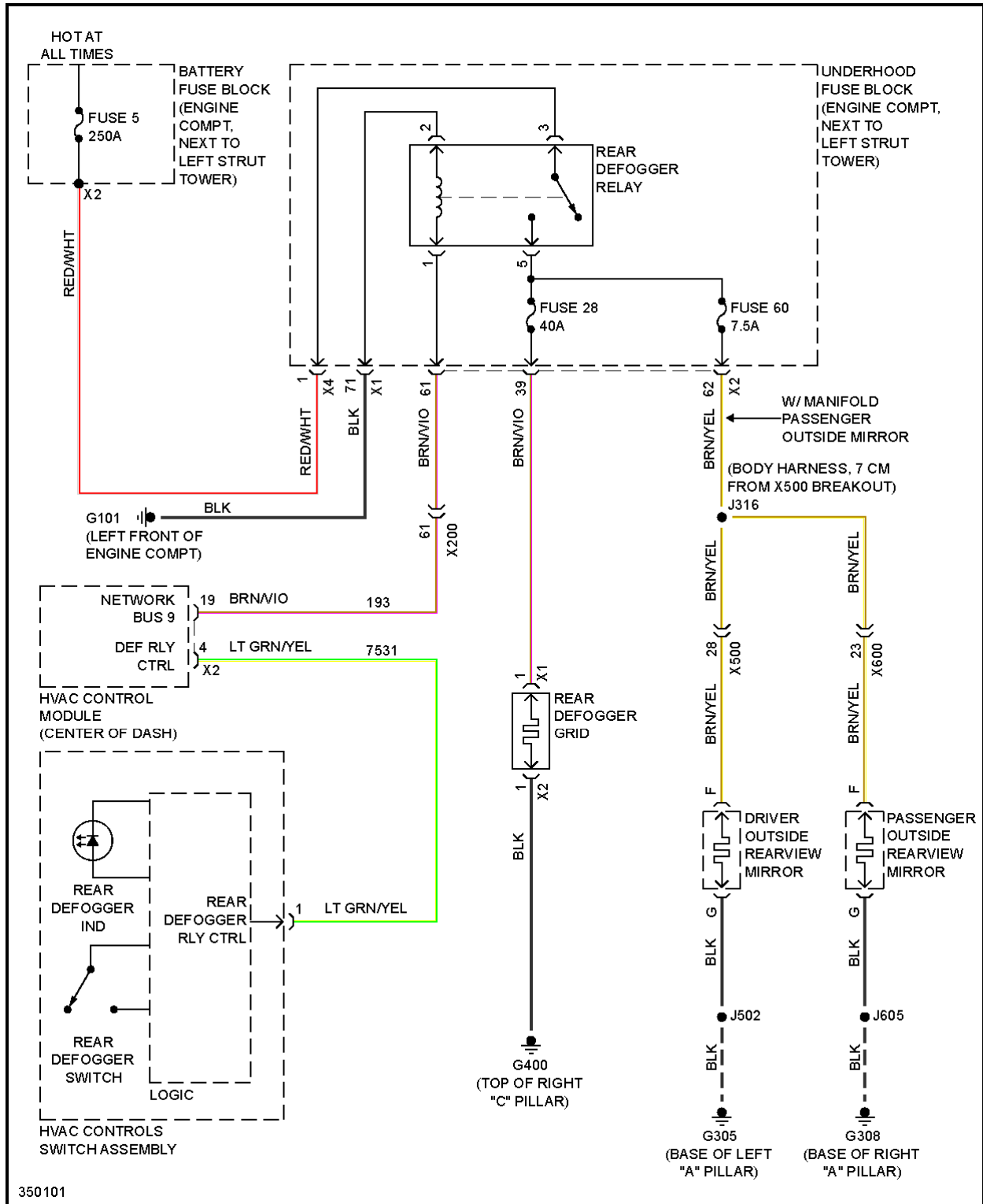
## 2013 SYSTEM WIRING DIAGRAMS Chevrolet - Cruze



**Fig. 12: Computer Data Lines Circuit (1 of 2)**

# 2013 Chevrolet Cruze

## 2013 SYSTEM WIRING DIAGRAMS Chevrolet - Cruze



**Fig. 16: Defoggers Circuit**

# 2013 Chevrolet Cruze

## 2013 SYSTEM WIRING DIAGRAMS Chevrolet - Cruze

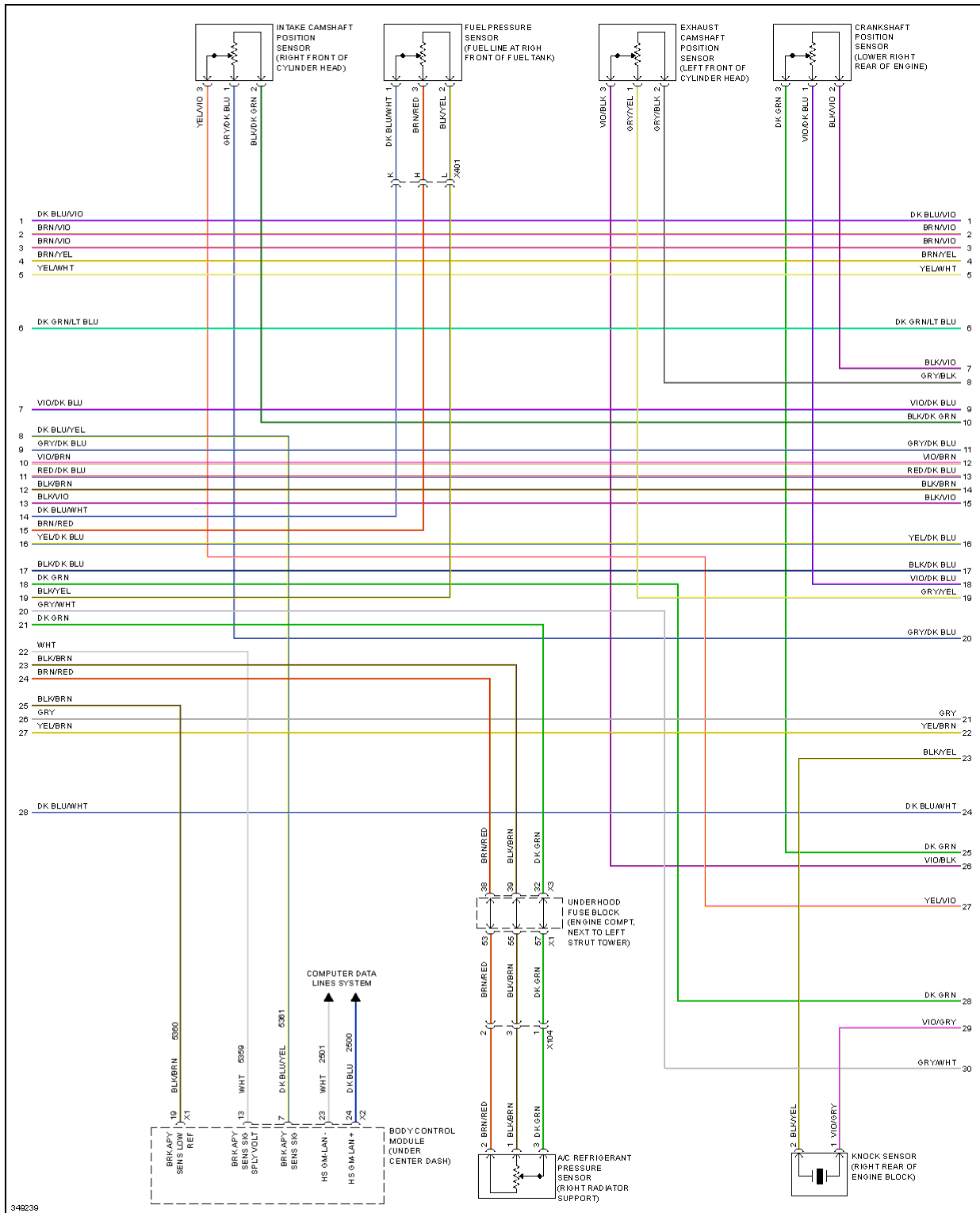
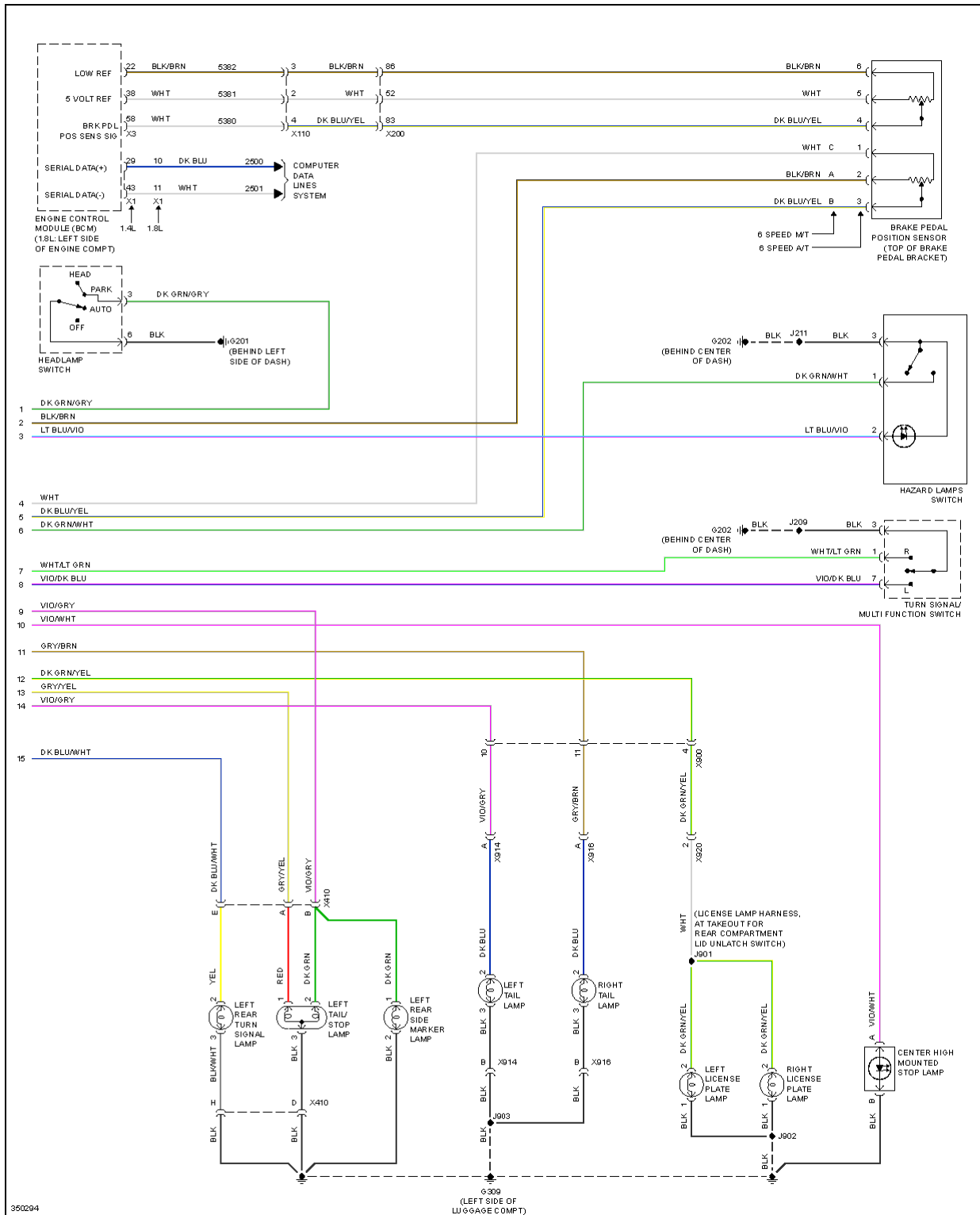


Fig. 22: 1.4L VIN 9, Engine Performance Circuit (5 of 6)

# 2013 Chevrolet Cruze

## 2013 SYSTEM WIRING DIAGRAMS Chevrolet - Cruze



**Fig. 30: Exterior Lamps Circuit (2 of 2)**

# 2013 Chevrolet Cruze

## 2013 SYSTEM WIRING DIAGRAMS Chevrolet - Cruze

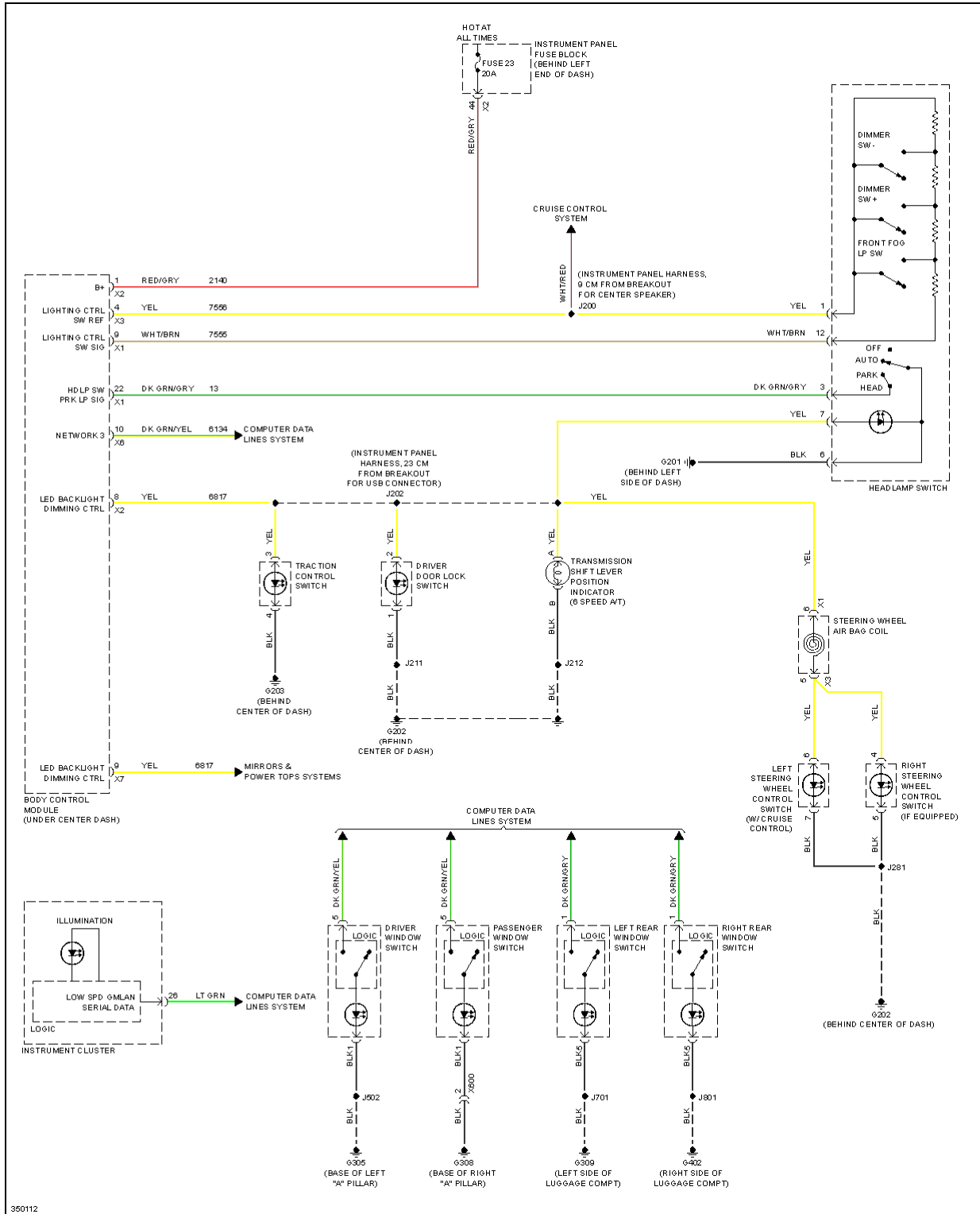
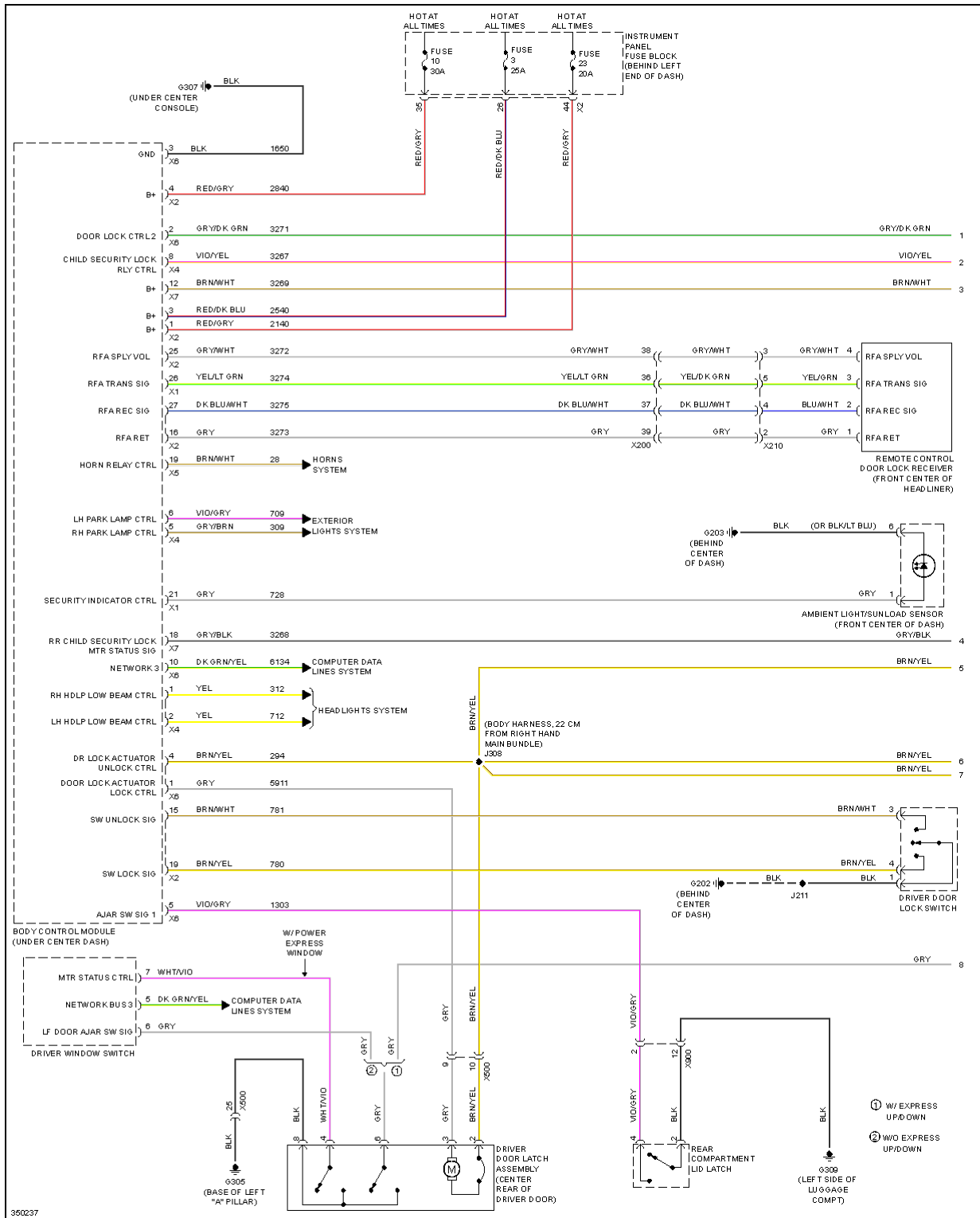


Fig. 39: Instrument Illumination Circuit



# 2013 Chevrolet Cruze

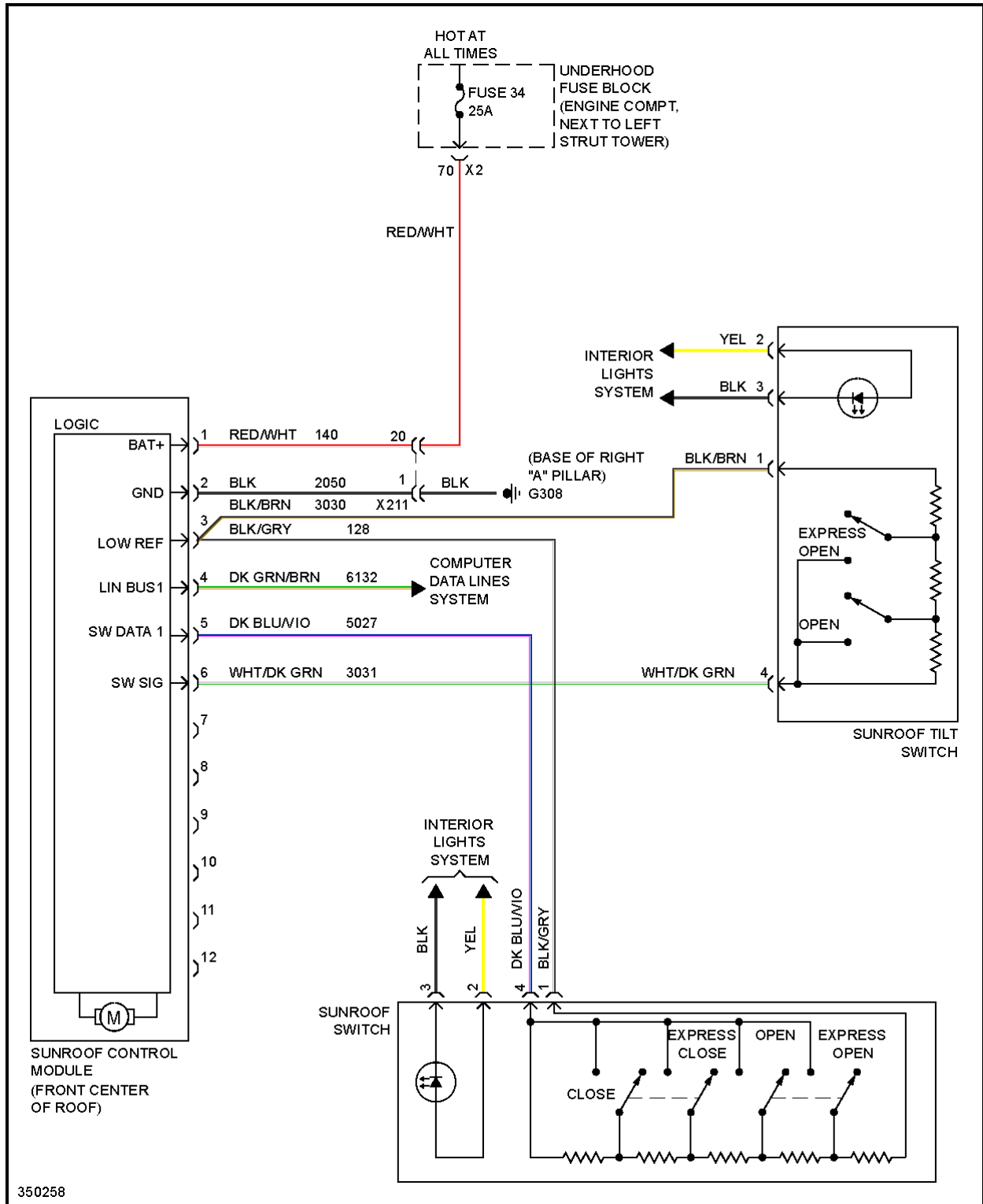
## 2013 SYSTEM WIRING DIAGRAMS Chevrolet - Cruze



**Fig. 51: Power Door Locks Circuit (1 of 2)**

# 2013 Chevrolet Cruze

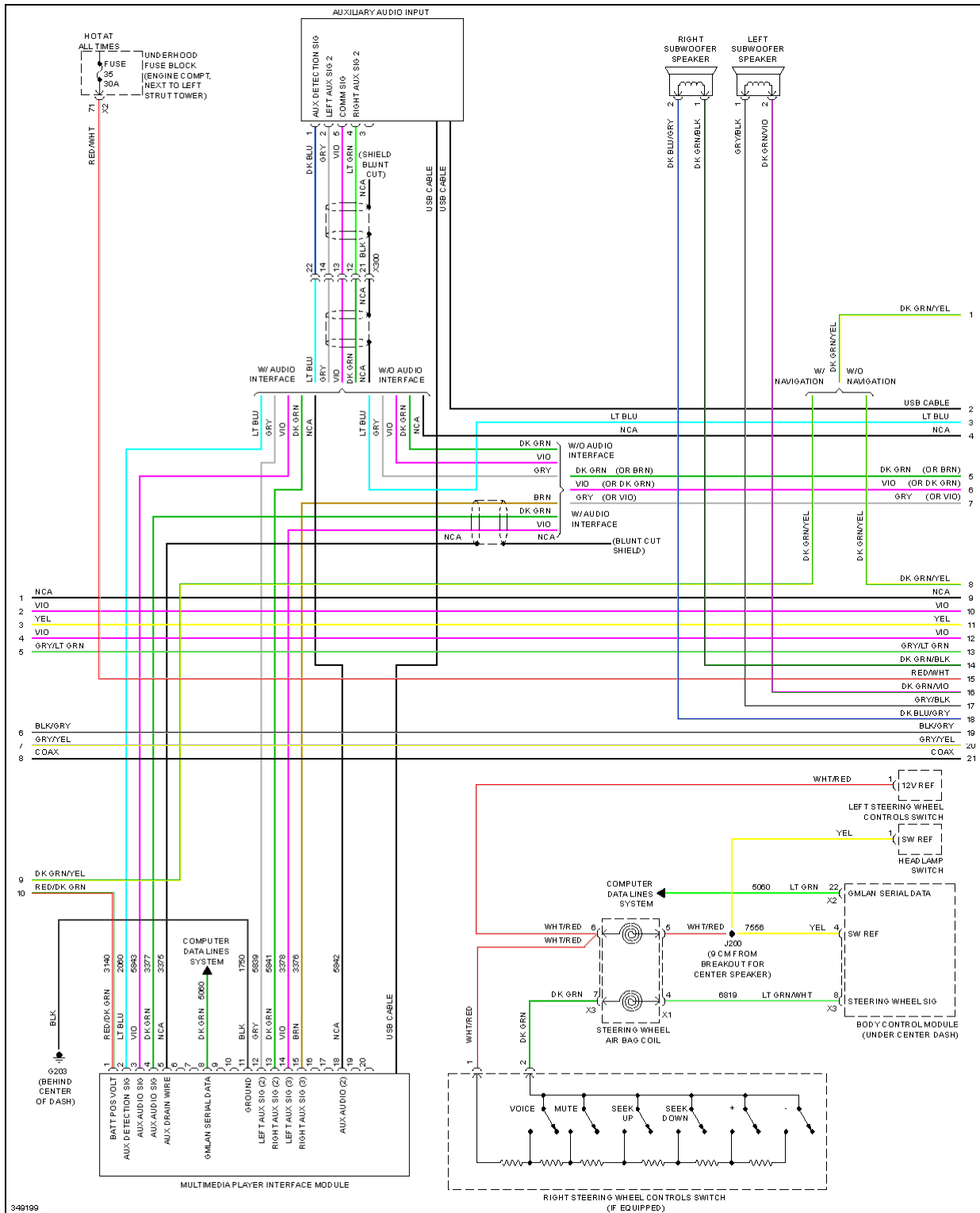
## 2013 SYSTEM WIRING DIAGRAMS Chevrolet - Cruze



**Fig. 57: Power Top/Sunroof Circuit**

# 2013 Chevrolet Cruze

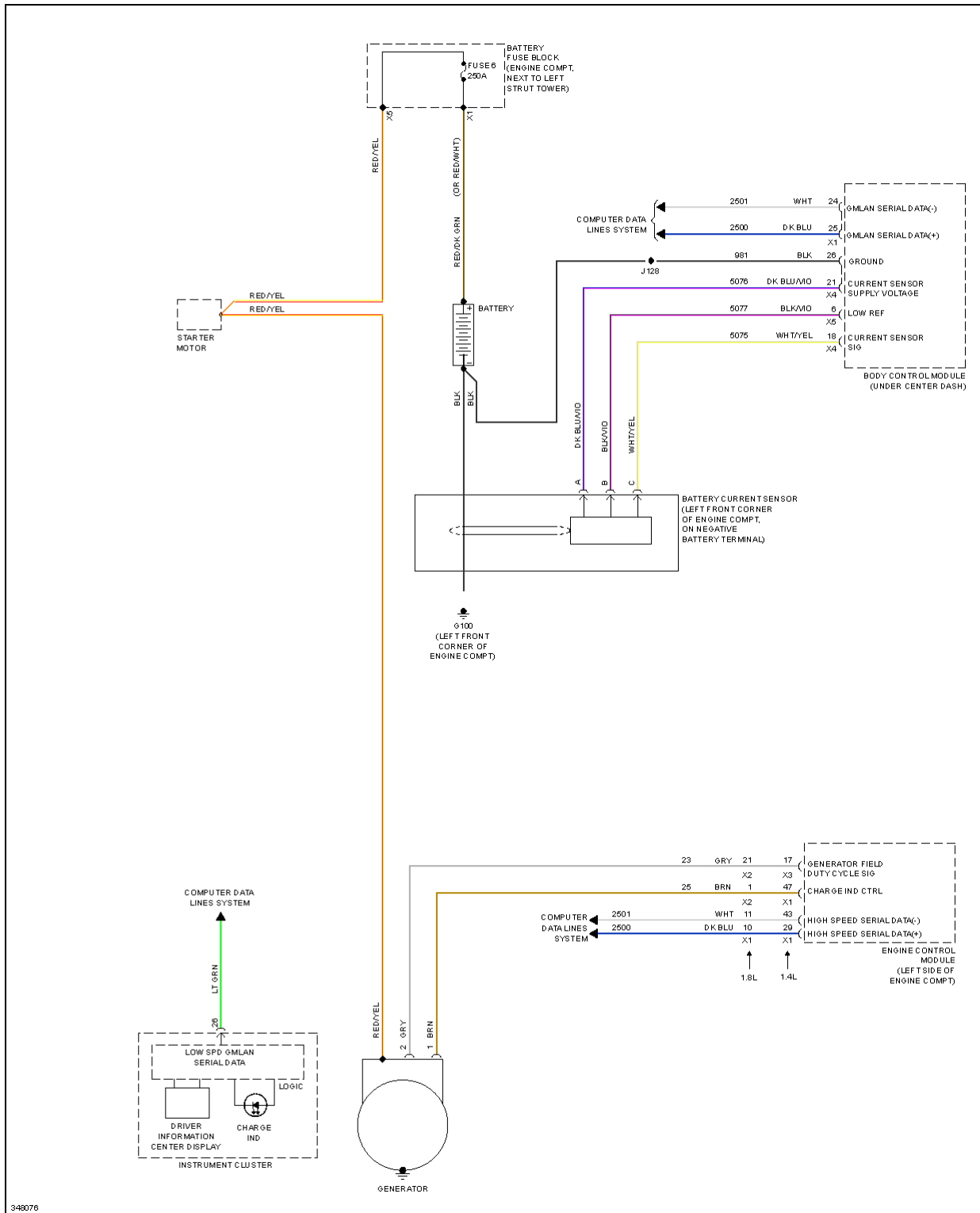
## 2013 SYSTEM WIRING DIAGRAMS Chevrolet - Cruze



**Fig. 61: Radio Circuit, W/ Amplifier (2 of 3)**

# 2013 Chevrolet Cruze

## 2013 SYSTEM WIRING DIAGRAMS Chevrolet - Cruze

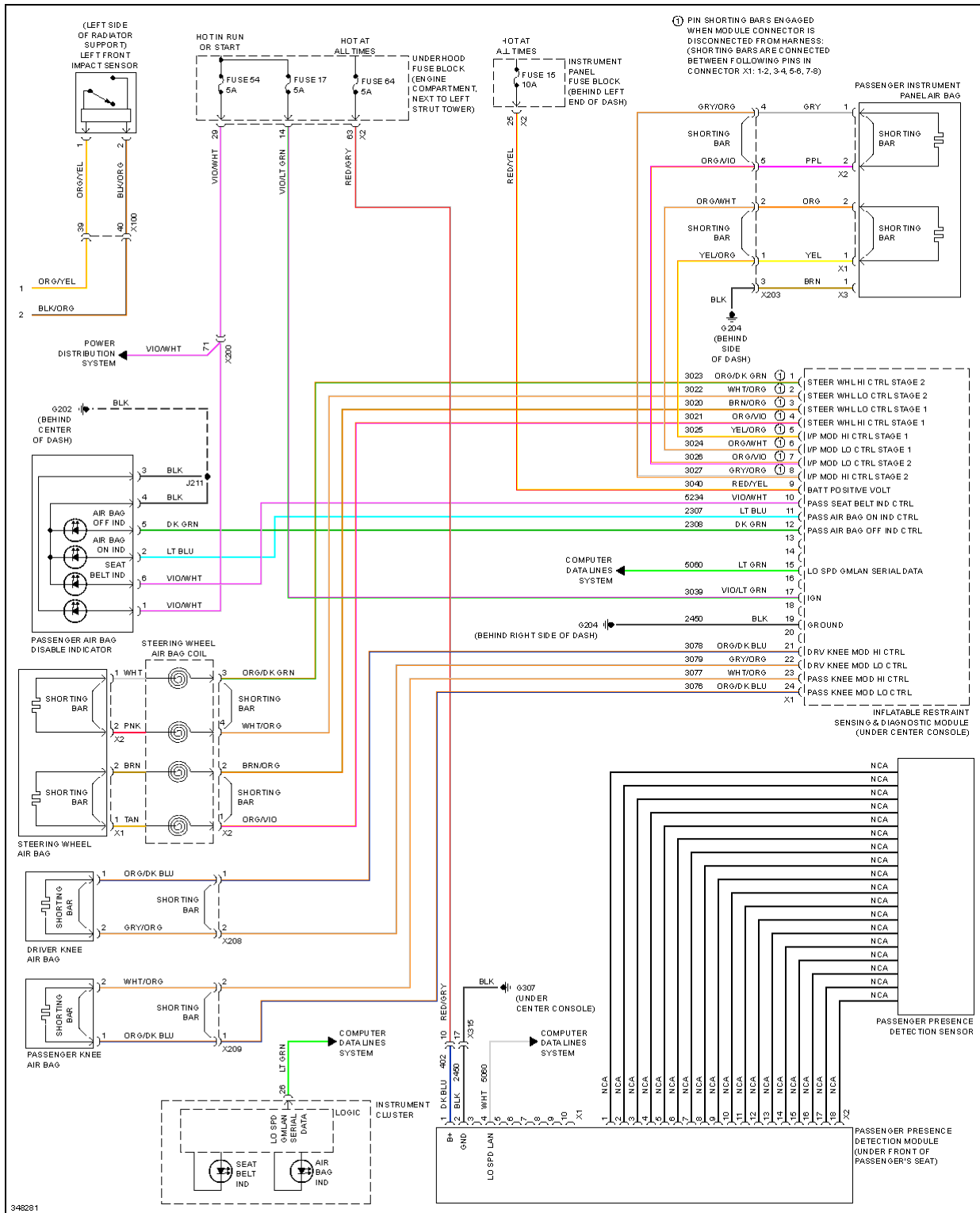


348076

**Fig. 69: Charging Circuit**

# 2013 Chevrolet Cruze

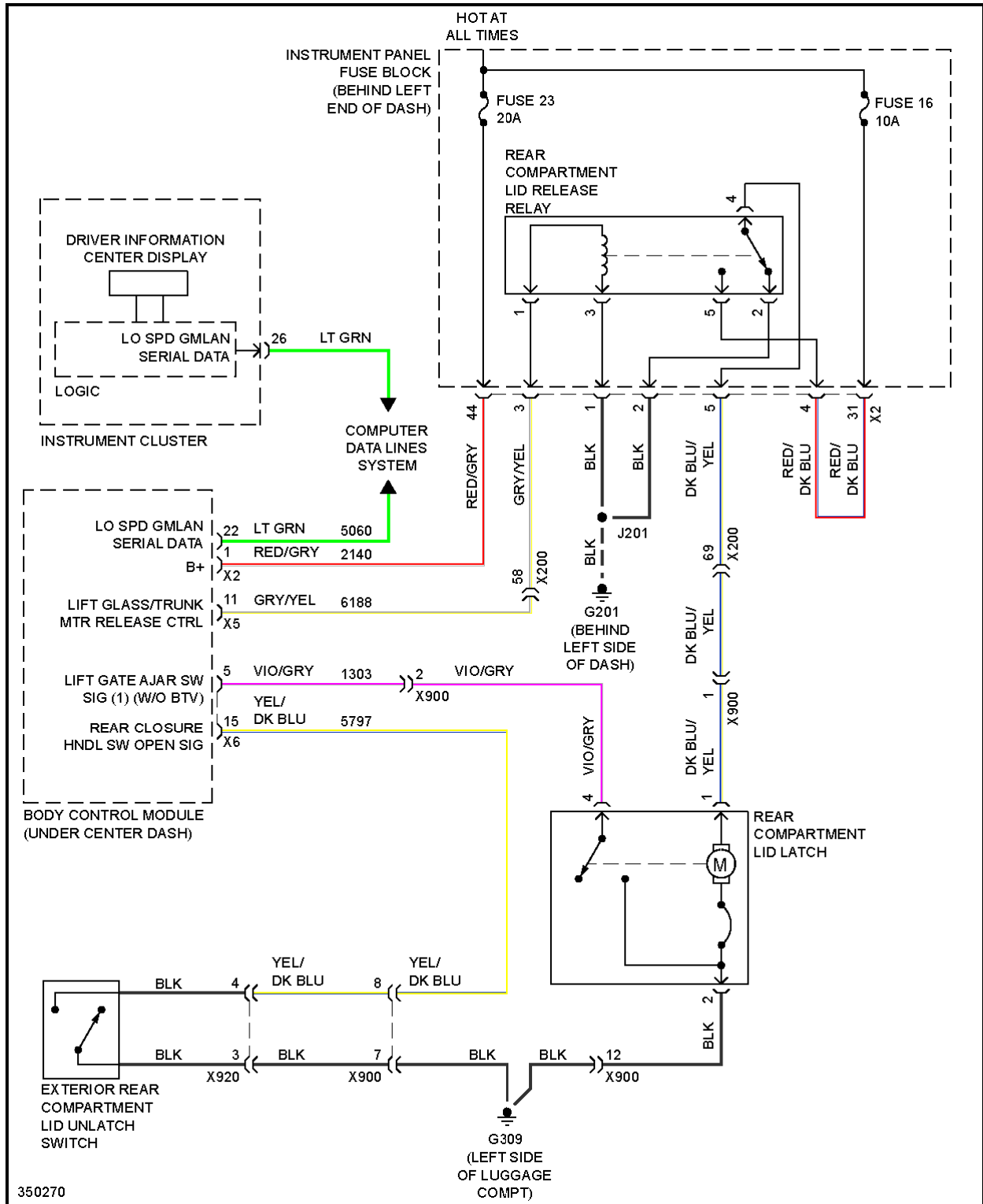
## 2013 SYSTEM WIRING DIAGRAMS Chevrolet - Cruze



**Fig. 72: Supplemental Restraints Circuit (2 of 2)**

# 2013 Chevrolet Cruze

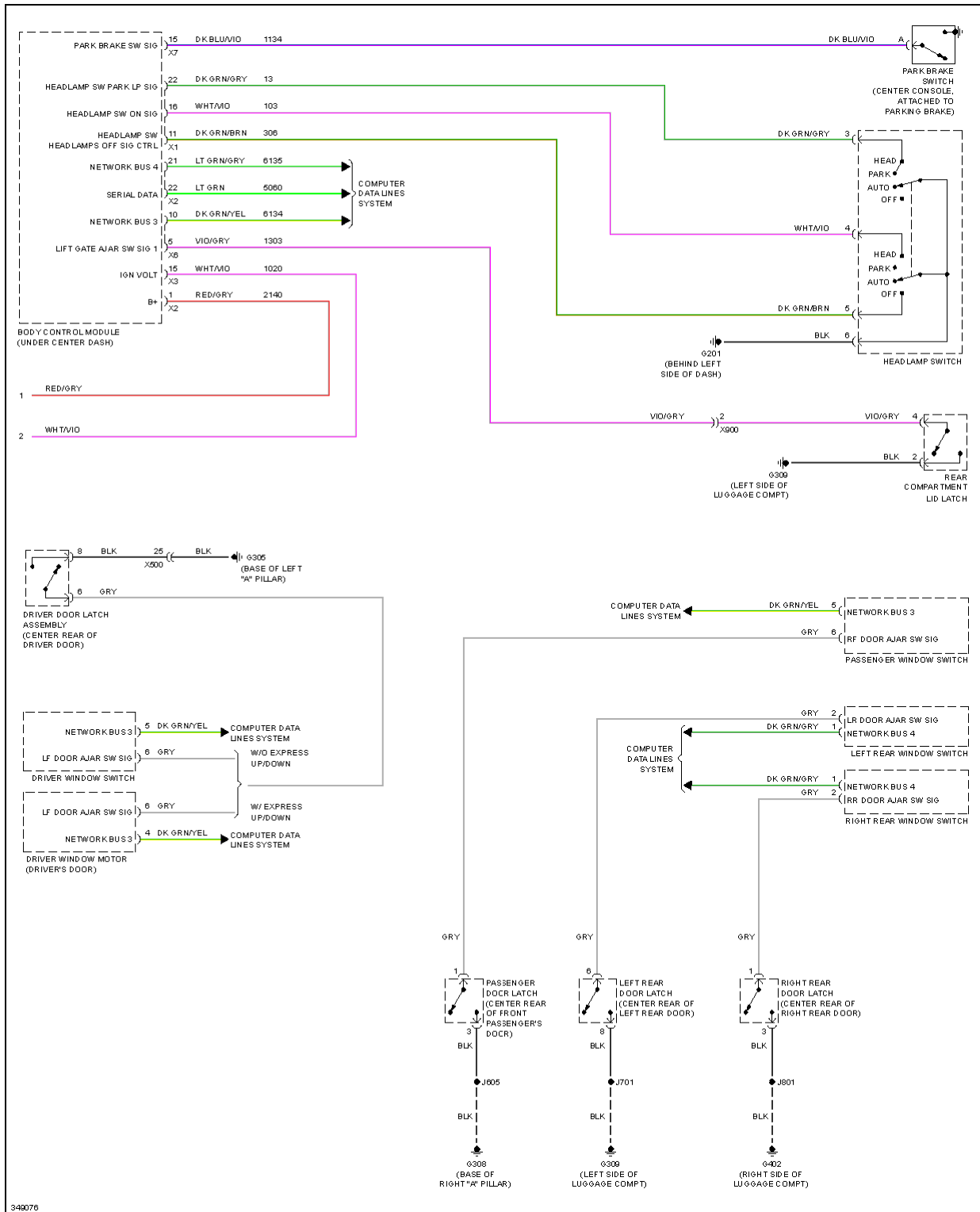
## 2013 SYSTEM WIRING DIAGRAMS Chevrolet - Cruze



**Fig. 74: Trunk Release Circuit**

# 2013 Chevrolet Cruze

## 2013 SYSTEM WIRING DIAGRAMS Chevrolet - Cruze



**Fig. 76: Warning Systems Circuit (2 of 2)**