

## INSTRUCTIONS AND CHARTS (CHAPTER 2)

### 2.1. ABBREVIATIONS, P. 1

NAVISTAR, INC				ELECTRICAL CIRCUIT DIAGRAM CHAPTER 2	
THIS PRINT IS PROVIDED ON A RESTRICTED BASIS AND IS NOT TO BE USED IN ANY WAY DETRIMENTAL TO THE INTEREST OF NAVISTAR, INC.				ABBREVIATIONS	
ABBREVIATION	DESCRIPTION	ABBREVIATION	DESCRIPTION	ABBREVIATION	DESCRIPTION
ACCESS	ACCESSORY	CRUS	CRUISE	FWR	POWER
ACCUM	ACCUMULATOR	CUR	CURRENT	PRESS	PRESSURE
AC	AIR CONDITIONING	DPNL	DASHBOARD	RAD	RADIO
AIR CLNR	AIR CLEANER	DFTR	DEFLECTOR	RR	REAR
ALT	ALTERNATOR	DFR	DEFROSTER	RLY	RELAY
ACCEL	ACCELERATOR	DEG	DEGREE	RES	RESISTOR
AC	ALTERNATING CURRENT	DIAG	DIAGRAM	REGEN	REGENERATE
AFTR	AFTERTREATMENT	DSL	DIESEL	R	RIGHT
AMM	AMMETER	DIFF	DIFFERENTIAL	RTR	ROTOR
AMP	AMPERE	DIMR	DIMMER	SNSR	SENSOR
AMP HR	AMPERE HOUR	ELEC	ELECTRICAL	SHLD	SHIELD
AMPL	AMPLIFIER	ELEX	ELECTRONICS	SHFT	SHIFTER
ARM	ARMATURE	ENG	ENGINE	SLPR	SLEEPER
ARSR	ARRESTER	EXH	EXHAUST	SLV	SLEEVE
ASSY	ASSEMBLY	FL	FLUID	SPKR	SPEAKER
AUX	AUXILIARY	FWD	FORWARD	SPR	SPRING
B/U	BACK-UP	FR	FRONT	STD	STANDARD
BTRY	BATTERY	FREQ	FREQUENCY	STRG	STEERING
BM	BENCHMARKING	GA	GAUGE	STLITE	SATELLITE
BLK	BLOCK	GEN	GENERATOR	SUNSH	SUNSHADE
BOOS	BOOSTER	GND	GROUND	SW	SWITCH
BOT	BOTTOM	HARN	HARNESS	SYS	SYSTEM
BK	BRAKE	HDLP	HEADLAMP	TACH	TACHOMETER
BRKR	BREAKER	HTD	HEATED	TEMP	TEMPERATURE
BRTHR	BREATHER	HT TR	HEAT TREAT	TERM	TERMINAL
BRL	BRIGHT	HTR	HEATER	THROT	THROTTLE
BUZ	BUZZER	HP	HORSEPOWER	THRU	THROUGH
CA	CABLE	HYD	HYDRAULIC	TRAC	TRACTION
CD	CANDELA	ID	IDENTIFICATION	TRLR	TRAILER
CP	CANDLEPOWER	IGN	IGNITION	XDCR	TRANSDUCER
CAP	CAPACITOR	ILLUM	ILLUMINATION	XFER	TRANSFER
CAT	CATERPILLAR	IND	INDICATOR	XFMR	TRANSFORMER
CHAS	CHASSIS	INST	INSTRUMENT	XSTR	TRANSISTOR
CH	CHOKE	INT	INTERMITTENT	XMSN	TRANSMISSION
CIRC	CIRCUIT	L	LEFT	XMTR	TRANSMITTER
CLK	CLOCK	LT	LIGHT	TRK	TRUCK
CW	CLOCKWISE	LTR	LIGHTER	UPR	UPPER
CLSTR	CLUSTER	LWR	LOWER	VLV	VALVE
CL	CLUTCH	MAG	MAGNET	VERT	VERTICAL
COL	COLUMN	MOD	MODULATOR	VM	VOLTMETER
COMM	COMMUTATOR	MDL	MODULE	VOL	VOLUME
CMPT	COMPONENT	MOT	MOTOR	WSHR	WASHER
CRSR	COMPRESSOR	MTD	MOUNTED	WHL	WHEEL
CONN	CONNECTOR	NEG	NEGATIVE	WDO	WINDOW
CONT	CONTINUED	N/	NOT WITH	WSHLD	WINDSHIELD
CSL	CONSOLE	NO.	NUMBER	WPR	WIPER
CONT	CONTACT	PASS	PASSENGER	W/	WITH
CONT	CONTROL	POSN	POSITION	W/O	WITHOUT
CONV	CONVERTER	POS	POSITIVE		
CLR	COOLER	POT	POTENTIOMETER		
CTS	COURTESY				

CHK	DATE	CHANGE	REV	REFERENCE	DRAWN	NAME
CNA1	11NOV10	INITIAL RELEASE.	A	67696A	U01A133	CIRCUIT DIAGRAM, TERRASTAR
					RELEASE NO.	DATE
					67696A	04AUG10
					PART NO.	SHEET
					AE08064593	001

Figure 1 Abbreviations

2.3. CIRCUIT DIAGRAM INSTRUCTIONS, P. 3

<p><b>NAVISTAR, INC</b></p> <p>THIS PRINT IS PROVIDED ON A RESTRICTED BASIS AND IS NOT TO BE USED IN ANY WAY DETRIMENTAL TO THE INTEREST OF NAVISTAR, INC.</p>		<p><b>ELECTRICAL CIRCUIT DIAGRAM</b></p> <p><b>CHAPTER 2</b></p> <p><b>CIRCUIT DIAGRAM INSTRUCTIONS</b></p>						
<p><b>A - SWITCH AND RELAY POSITIONS AS SHOWN ON CIRCUIT DIAGRAMS INDICATE NORMAL POSITION WITH IGNITION OFF UNLESS OTHERWISE NOTED.</b></p> <p style="text-align: center;">SWITCH, MECHANICAL      SOLENOID      RELAY - SUPPRESSED</p>		<p><b>B - MULTIPLE CONNECTIONS ARE DISPLAYED ON SCHEMATIC AS SHOWN WITH R/D NUMBER &amp; CAVITY NUMBER. REFER TO CONNECTOR COMPOSITE FOR MORE INFORMATION</b></p> <p style="text-align: center;">SINGLE IN-LINE CONNECTORS DISPLAYED AS SHOWN BELOW WITH R/D NUMBER</p>						
<p><b>C - PHANTOM LINES INDICATE PRINTED CIRCUITS OR BUSSED CIRCUITS. THESE CIRCUITS EXIST IN THE INSTRUMENT CLUSTER AND FUSE / CIRCUIT BREAKER CONNECTORS.</b></p> <p style="text-align: center;">LOCATION / CIRCUIT NUMBER      WIRE GAUGE / WIRE COLOR</p> <p style="text-align: center;">LOCATION IN FUSE / CIRCUIT BREAKER CONNECTION      FUSE RATING</p>								
<p><b>D - MULTIPLE CIRCUIT NUMBERS ON A LINE INDICATE ONE CIRCUIT DISTRIBUTING CURRENT TO TWO CIRCUITS.</b></p> <p style="text-align: center;">SPLICE</p>								
<p><b>E - SWITCHES, RELAYS AND COMPONENTS INDICATE EXTERNAL WIRE CONNECTIONS AND / OR INTERNAL CONNECTIONS OR CONTACTS.</b></p> <p style="text-align: center;">EXTERNAL WIRE CONNECTIONS</p> <p style="text-align: center;">WIRE CONNECTION</p> <p style="text-align: center;">PIGTAIL</p> <p style="text-align: center;">KEY SWITCH (1101M)      INTERNAL CONNECTION      BODY CONTROLLER (1602)</p>								
<p><b>F - CIRCUIT "11" DENOTES ANY COMMON GROUND (MORE THAN ONE CIRCUIT). ANY INDIVIDUAL GROUND CIRCUIT IS IDENTIFIED WITH THAT PARTICULAR CIRCUIT NUMBER. (E.G. CIRCUIT 32 CRUISE CONTROL IS IDENTIFIED AS PER EXAMPLE)</b></p> <p style="text-align: center;">COMMON GROUND CIRCUIT NUMBER      SUFFIX BEGINNING WITH G INDICATES A GROUND CIRCUIT</p> <p style="text-align: center;">INDIVIDUAL GROUND CIRCUIT NUMBER      SUFFIX BEGINNING WITH G INDICATES A GROUND CIRCUIT</p> <p style="text-align: center;">NOTE: FOR CIRCUIT DESCRIPTION OTHER THAN GROUNDS NEITHER THE LETTER "G" NOR THE COLOR WHITE SHALL BE USED</p>								
CHK	DATE	CHANGE	REV	REFERENCE	DRAWN	NAME		
CNA1	11NOV10	INITIAL RELEASE.	A	67696A	U01A133	CIRCUIT DIAGRAM, TERRASTAR		
					RELEASE NO.	DATE	PART NO.	SHEET
					67696A	04AUG10	AE08064593	003

Figure 3 Circuit Diagram Instructions

3.2. IGNITION FEED – STANDARD, THEFT DETERRENT, REMOTE START / STOP, P. 2

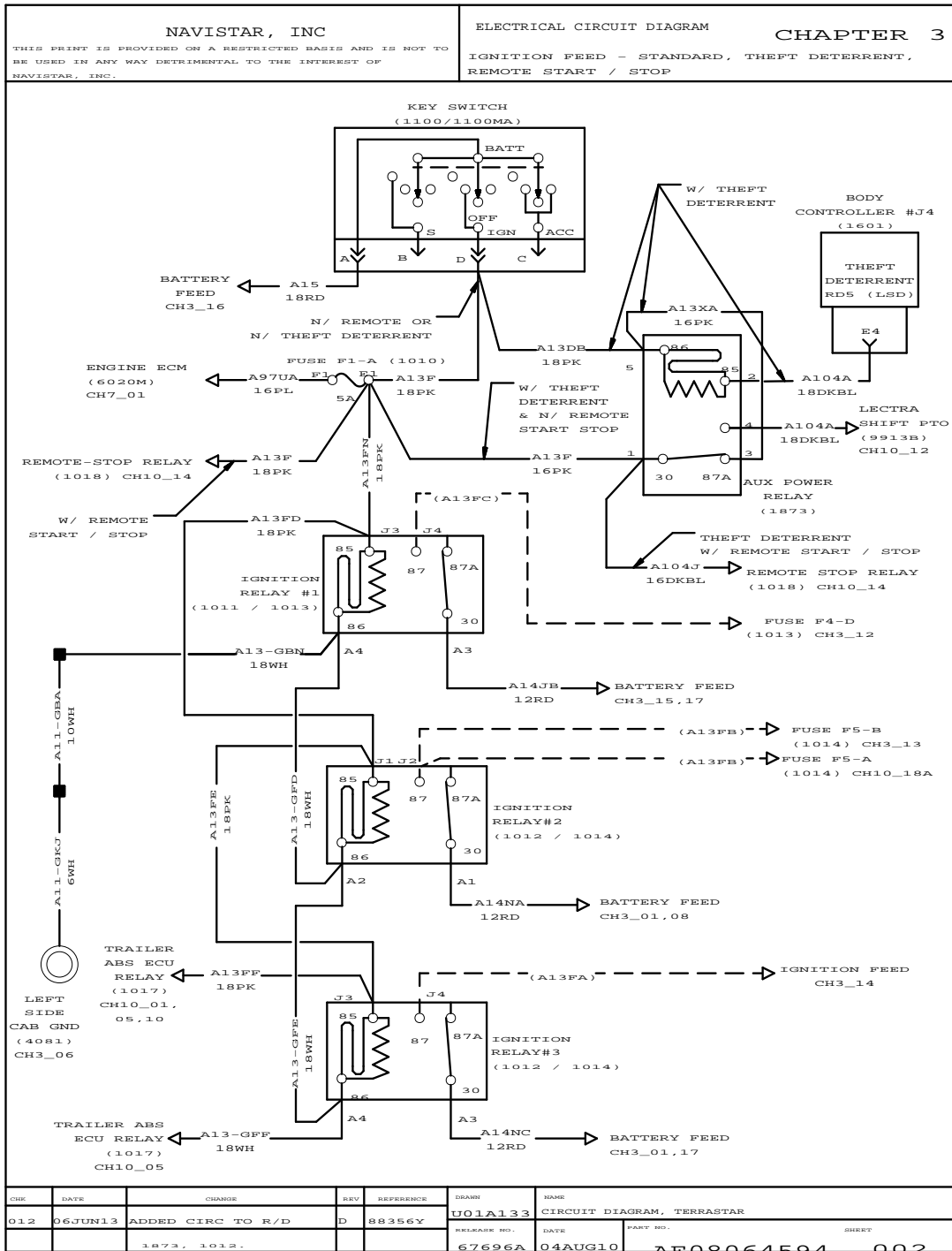


Figure 14 Ignition Feed – Standard, Theft Deterrent, Remote Start / Stop

3.26. GROUND – IP, P. 24

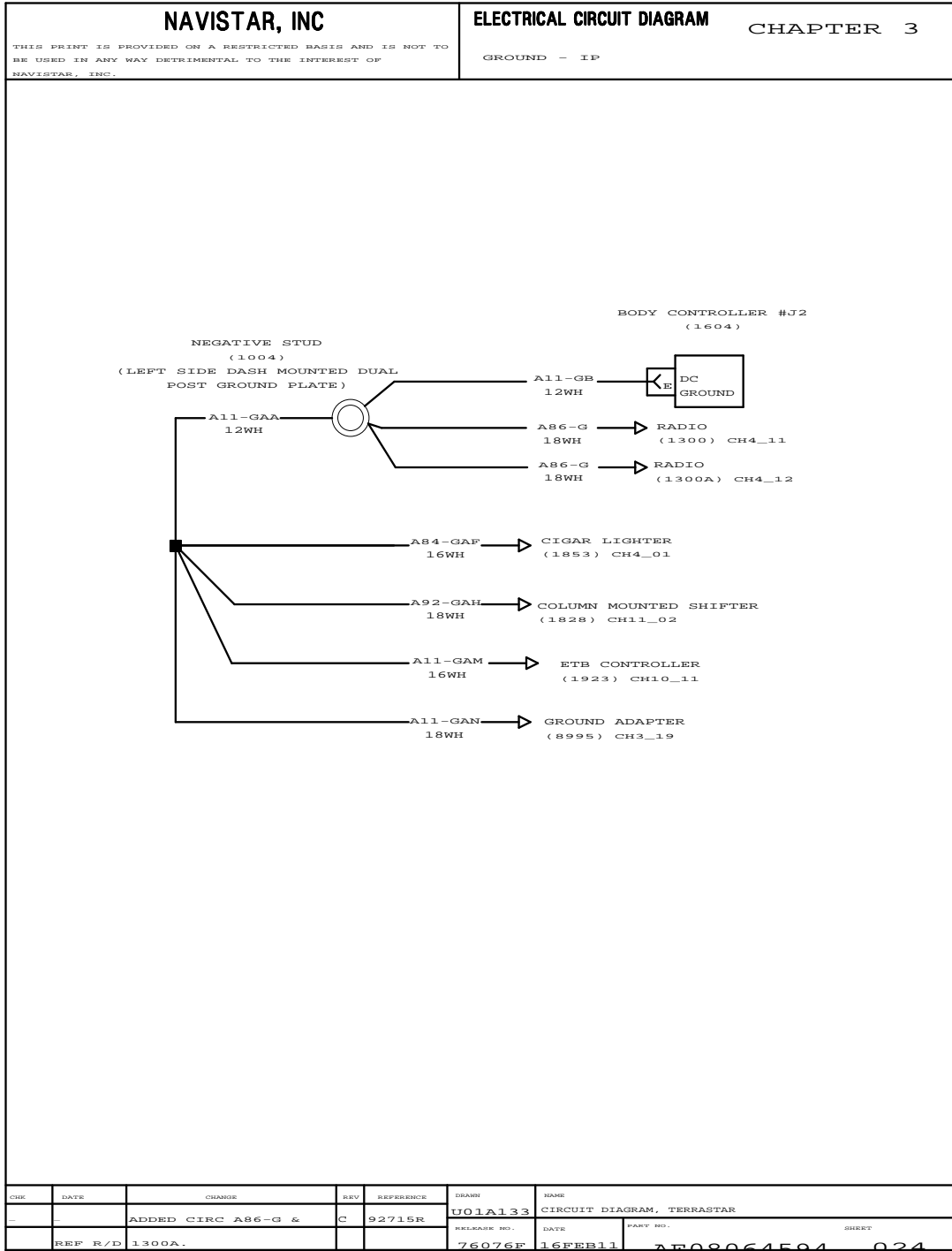


Figure 38 Ground – IP (Cont.)

4.18. ROOF AUX LOAD, P. 17

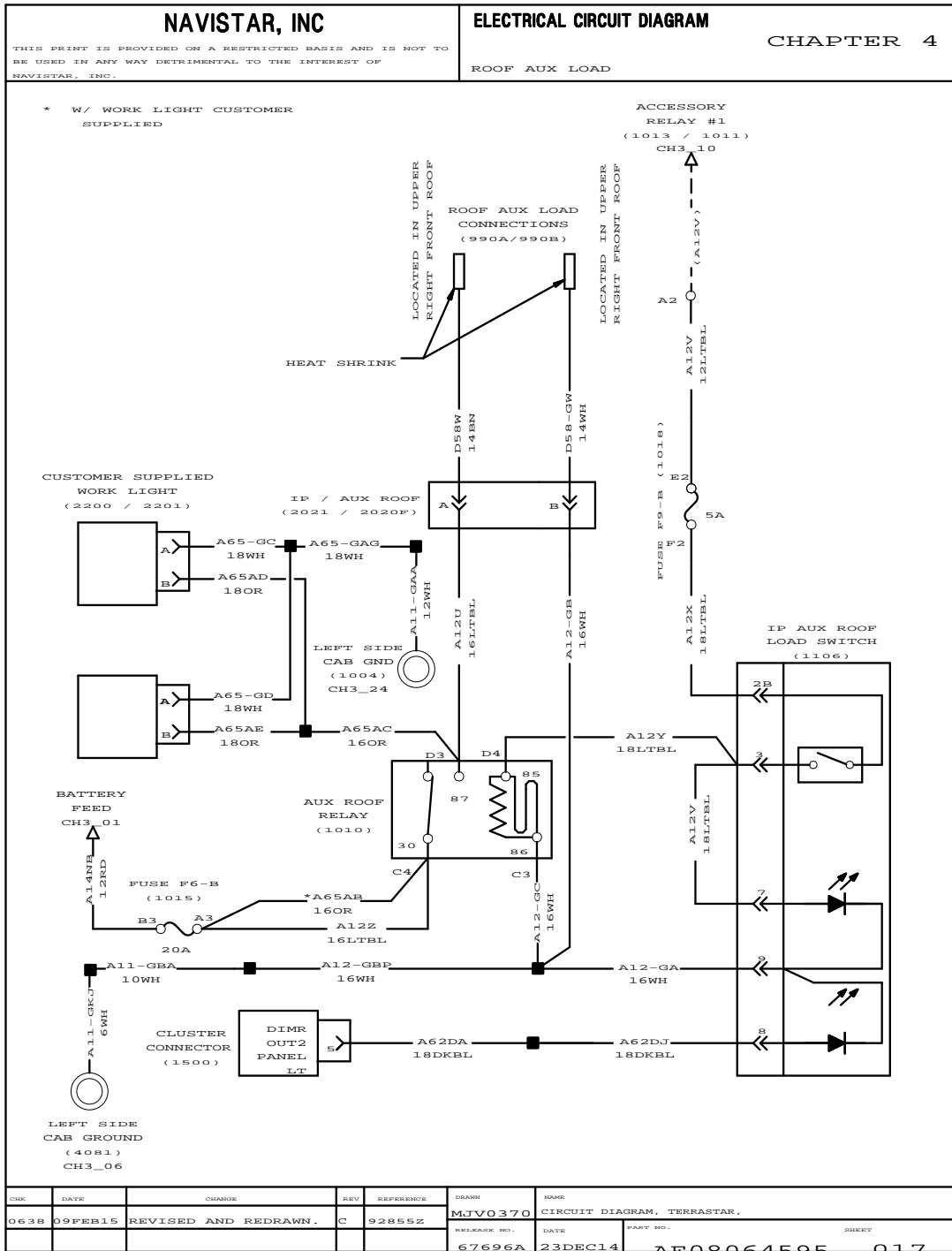


Figure 60 Roof Aux Load

FANS AND ENGINE ACCESSORIES (CHAPTER 6)

6.1. FAN WIRING – V8 ENGINE, P. 1

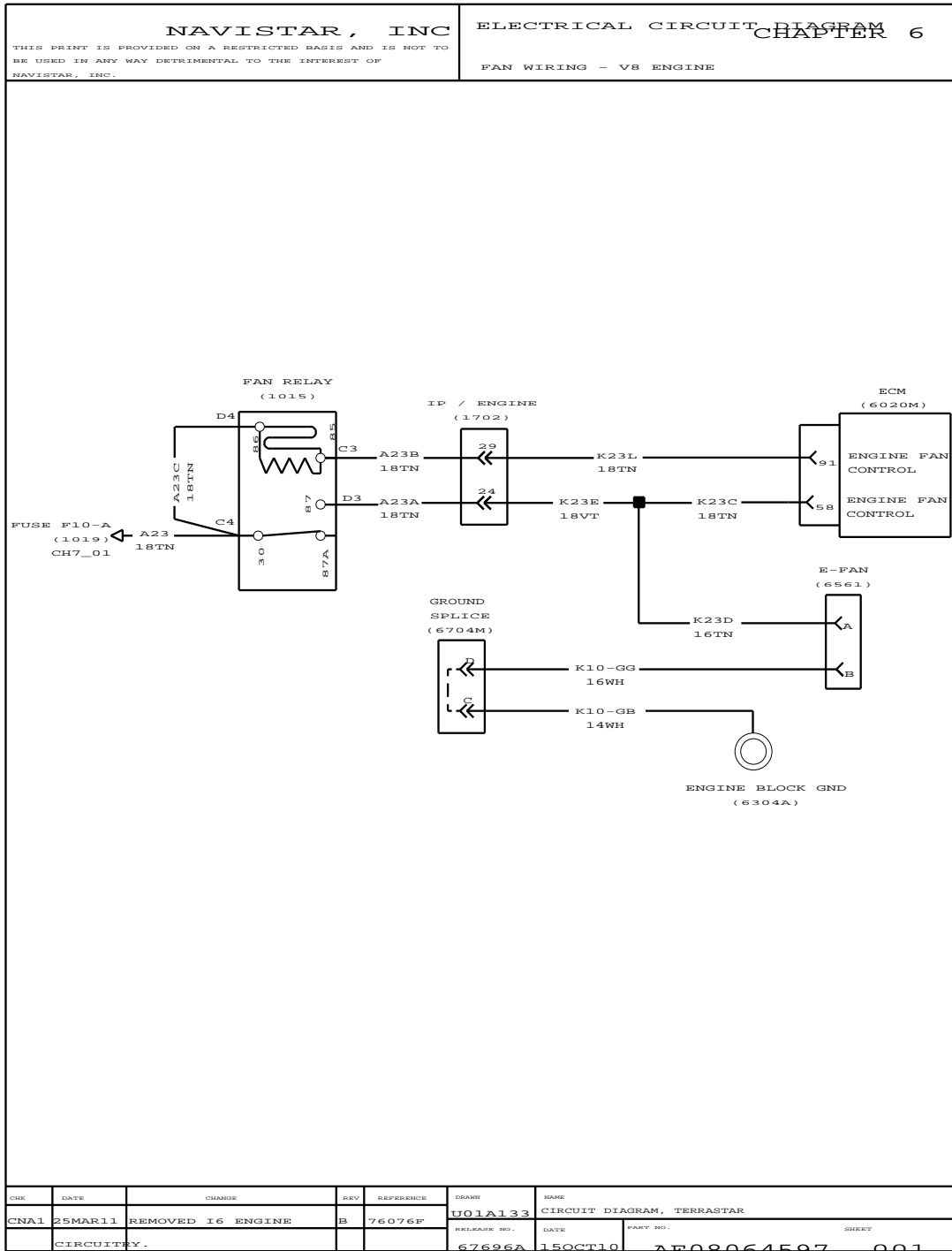


Figure 76 Fan Wiring – V8 Engine

8.4. AIR PRESSURE INPUT CIRCUIT, P. 4

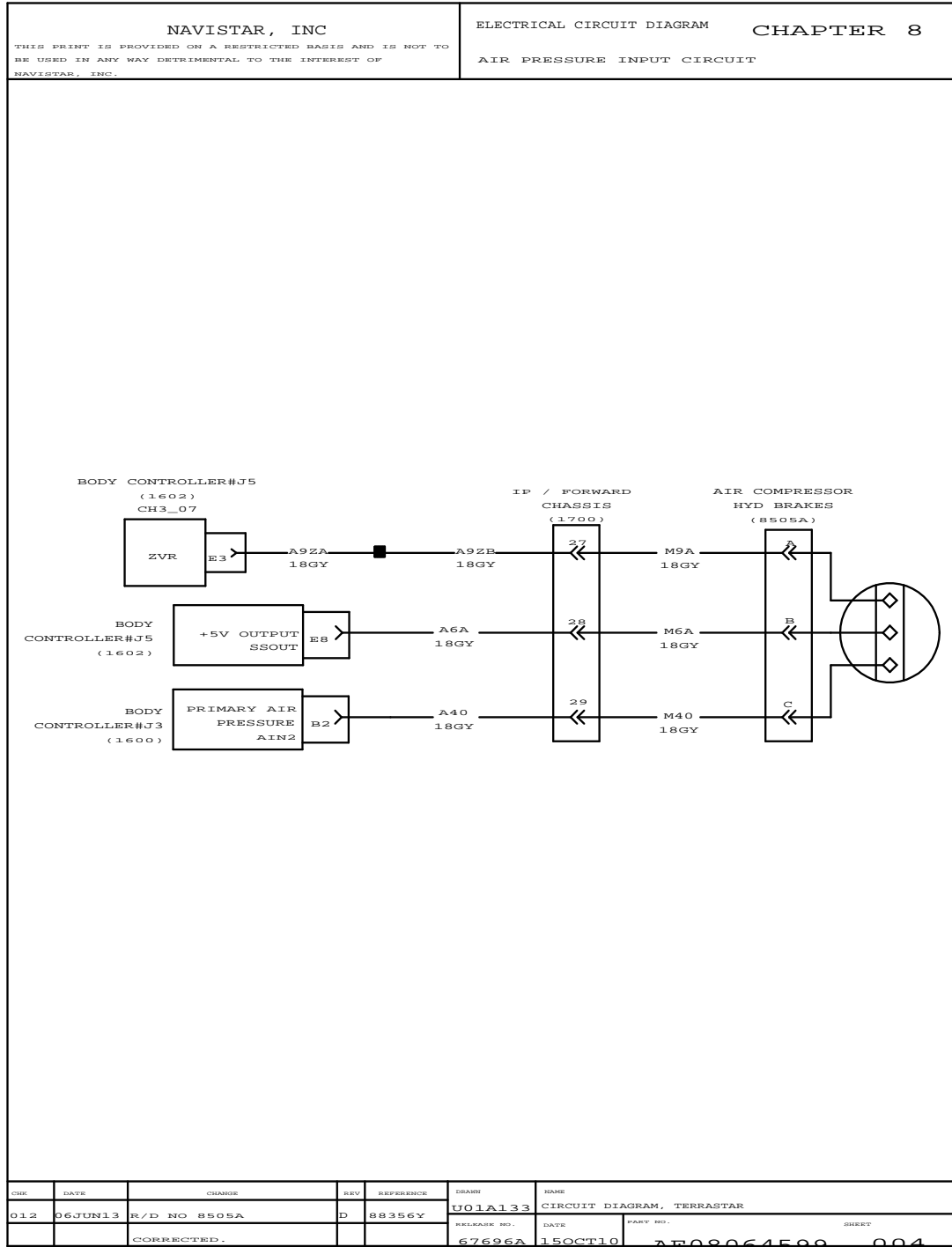


Figure 87 Air Pressure Input Circuit

CHASSIS ACCESSORIES (CHAPTER 10)

10.1. TRW ABS BRAKES, P. 1

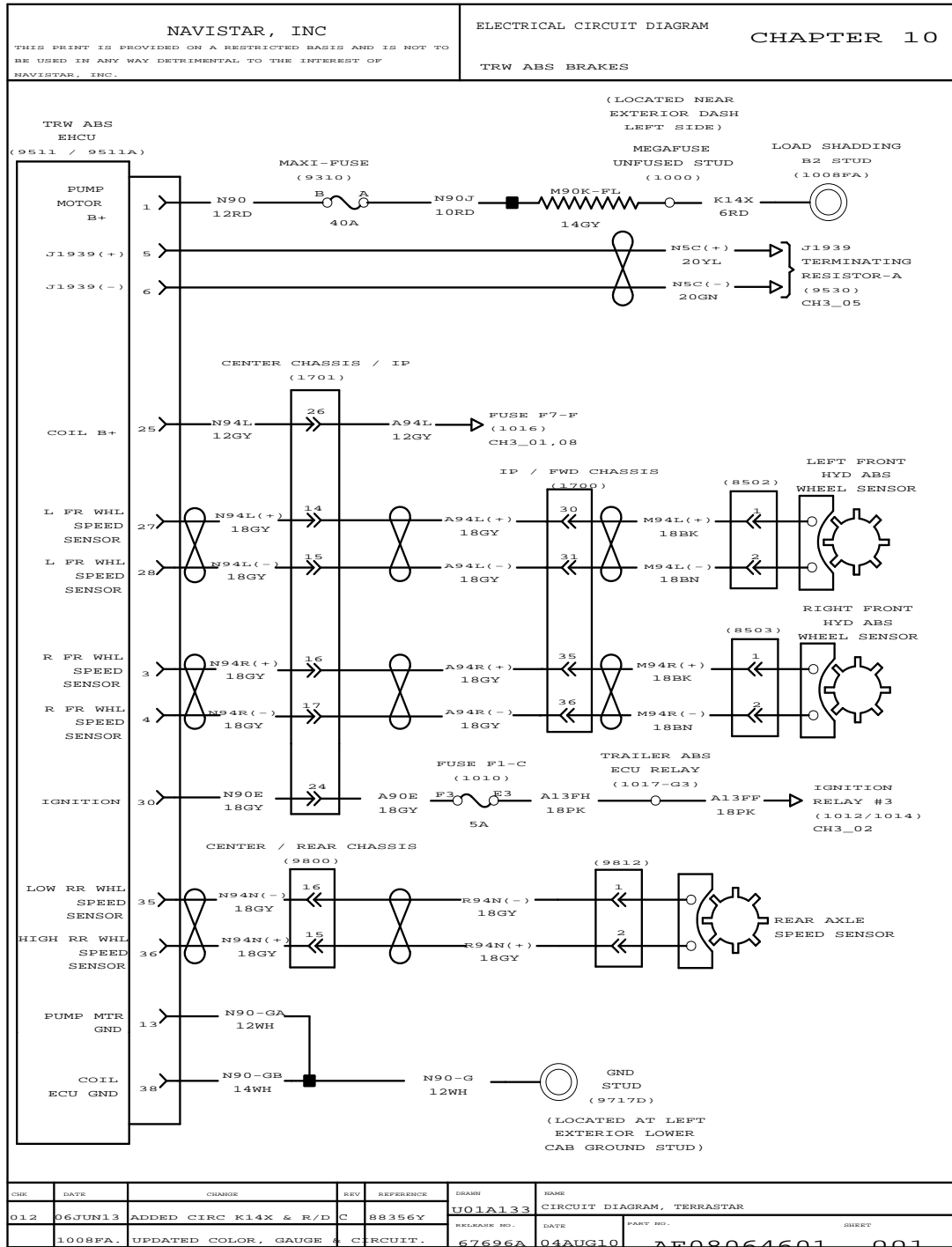


Figure 107 TRW ABS Brakes



10.25. AUX TRAILER CIRCUIT, P. 22

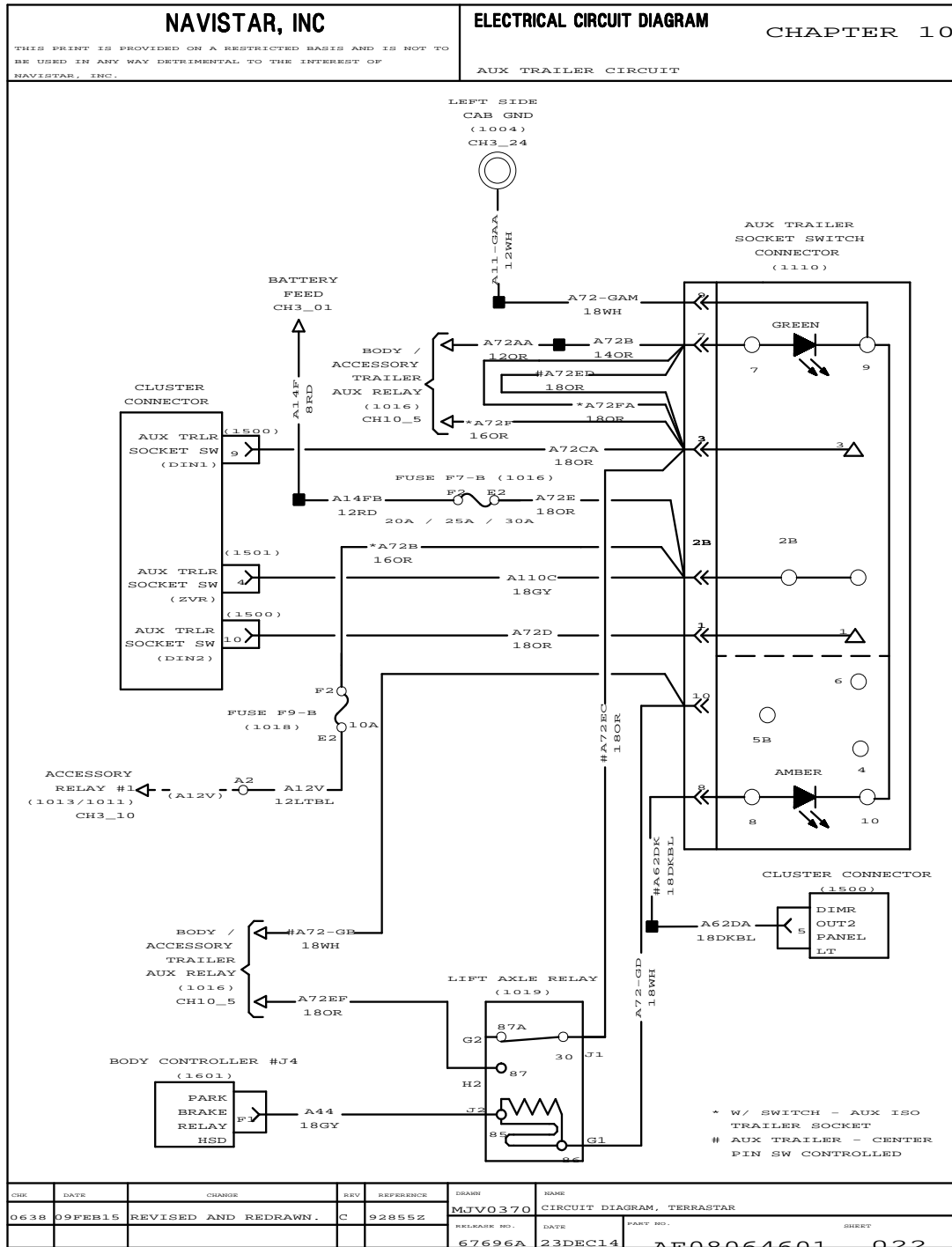


Figure 131 Aux Trailer Circuit

11.6. SHIFTER INTERLOCK EFFECTS, P. 6

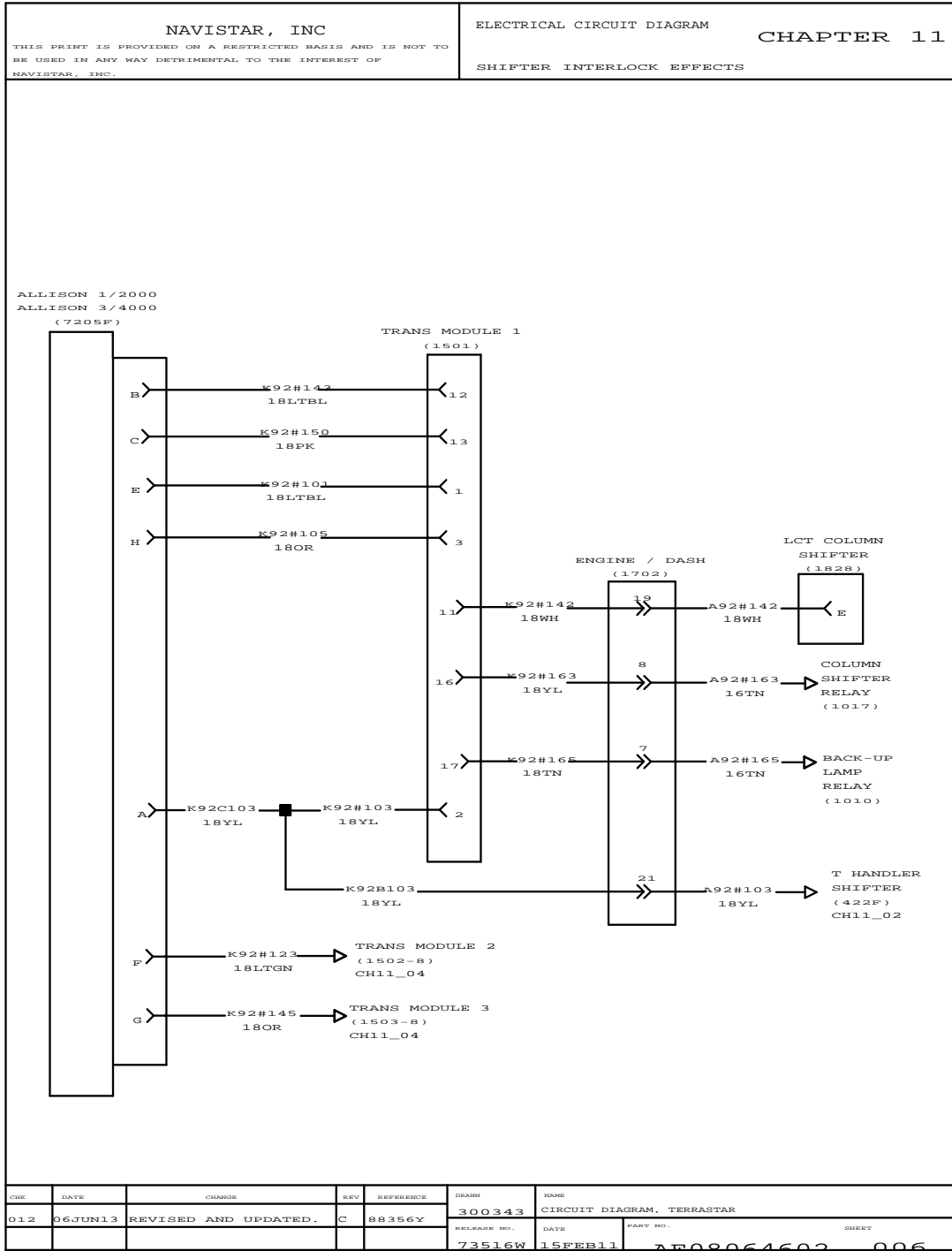


Figure 144 Shifter Interlock Effects

11.10. WTEC GEN 4 TRANSMISSION (CONT.), P. 10

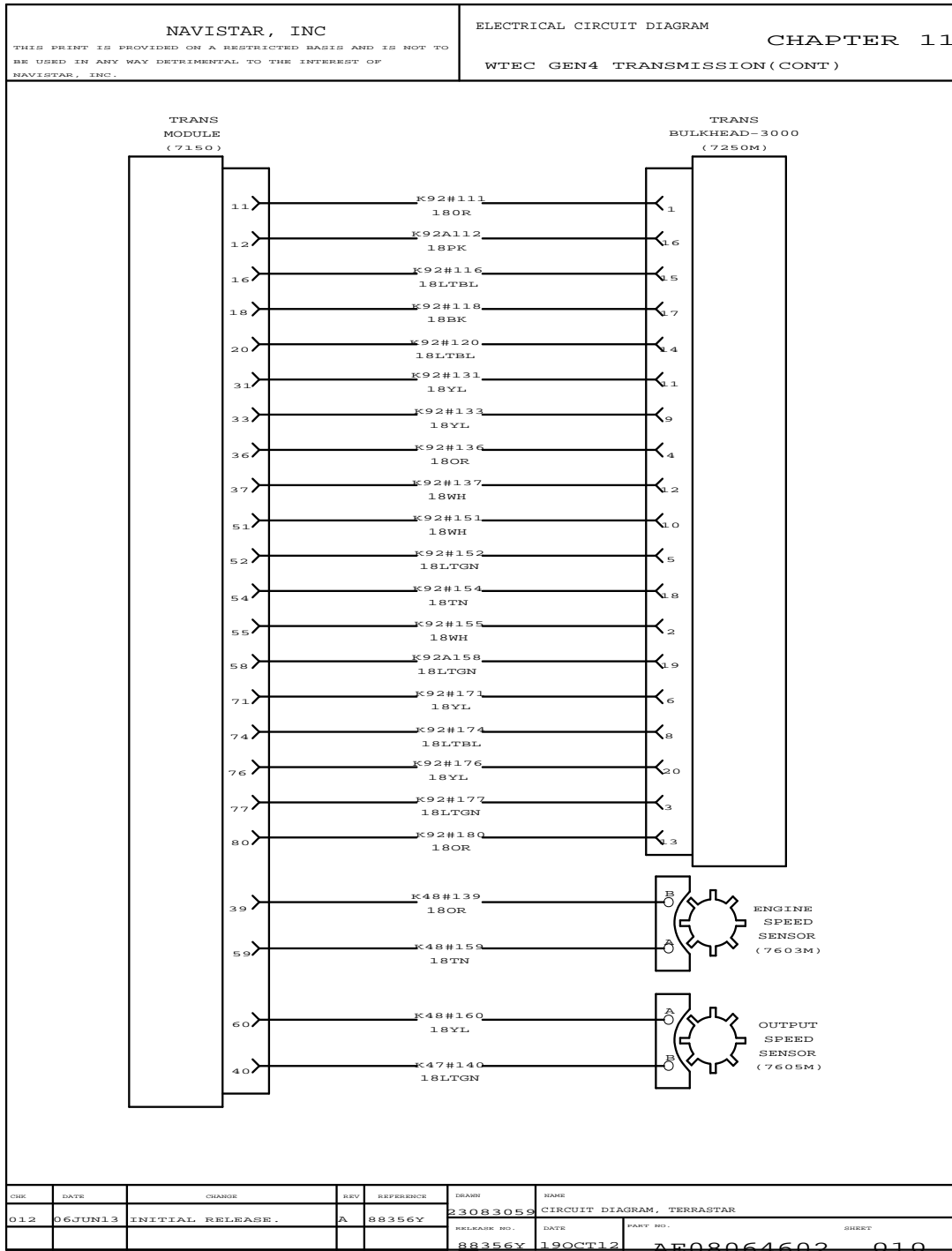


Figure 148 WTEC GEN 4 Transmission (Cont.)



13.26. CONNECTOR BODY COMPOSITES (1700), P. 24

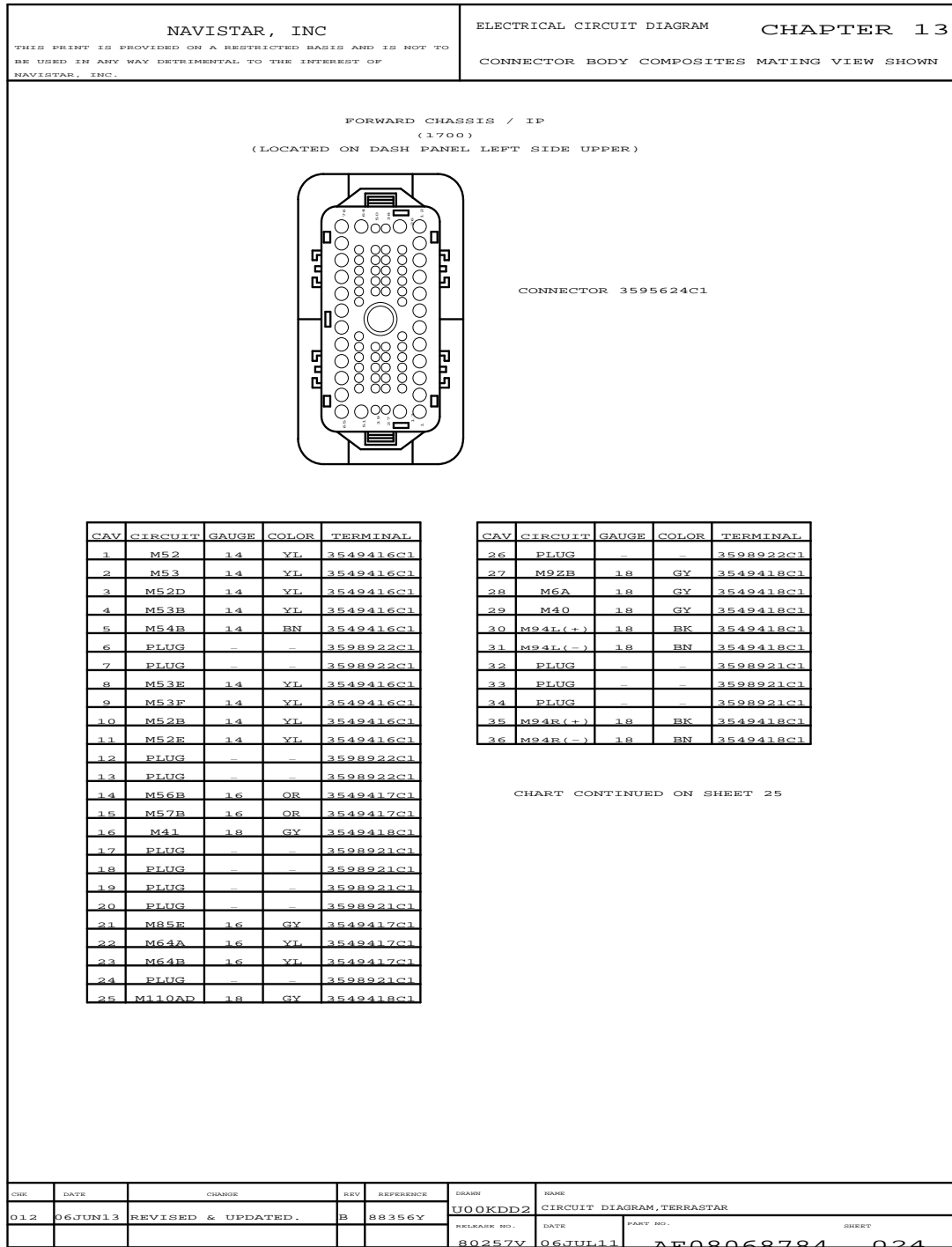


Figure 179 Connector Body Composites (1700)

13.38. CONNECTOR BODY COMPOSITES (1814A / 1814B / 1815 / 1815A / 1828 / 1861 / 1872 / 1873), P. 36

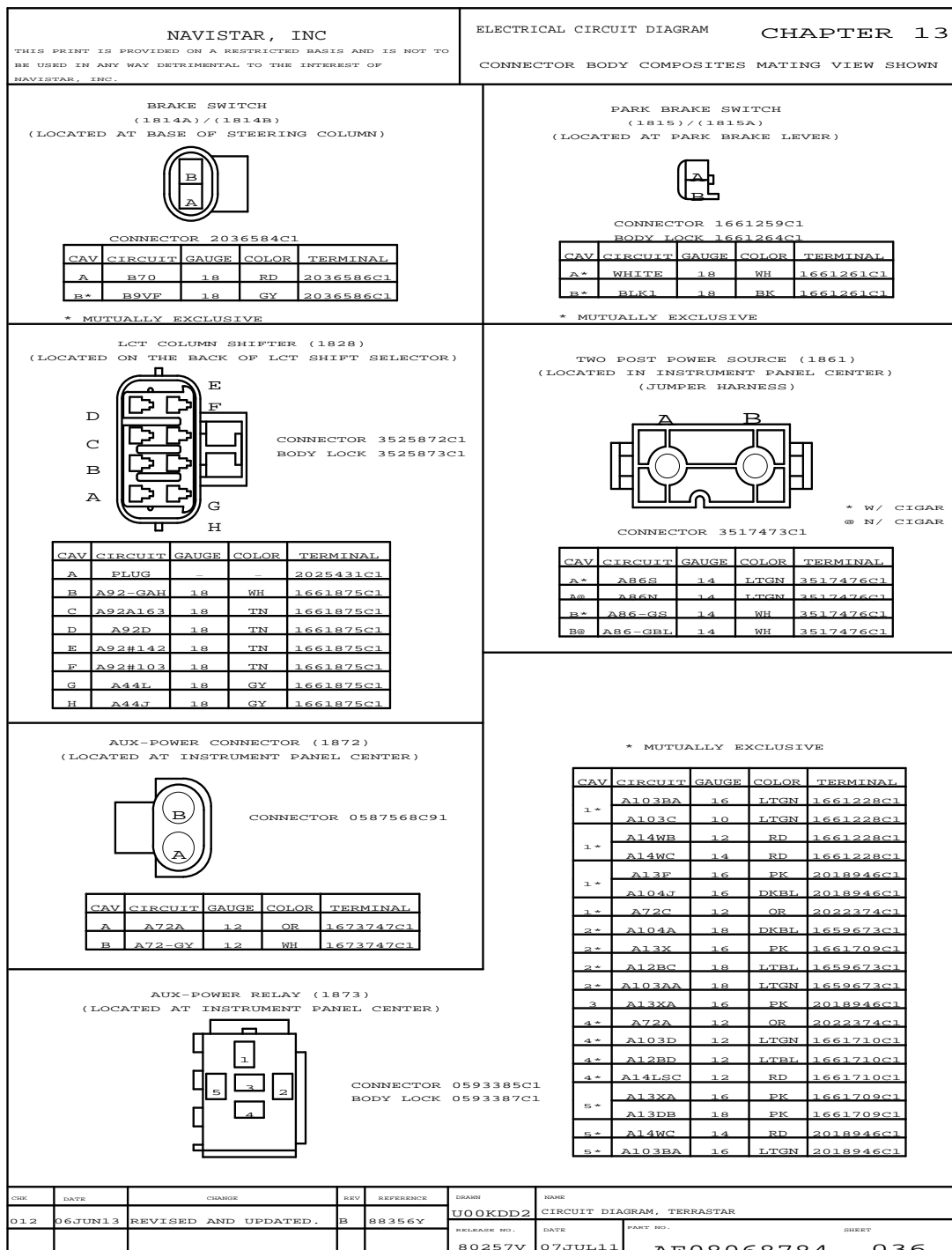


Figure 191 Connector Body Composites (1814A / 1814B / 1815 / 1815A / 1828 / 1861 / 1872 / 1873)

13.56. CONNECTOR BODY COMPOSITES (6333 / 6334 / 6400 / 6405 / 6561 / 6704M), P. 46

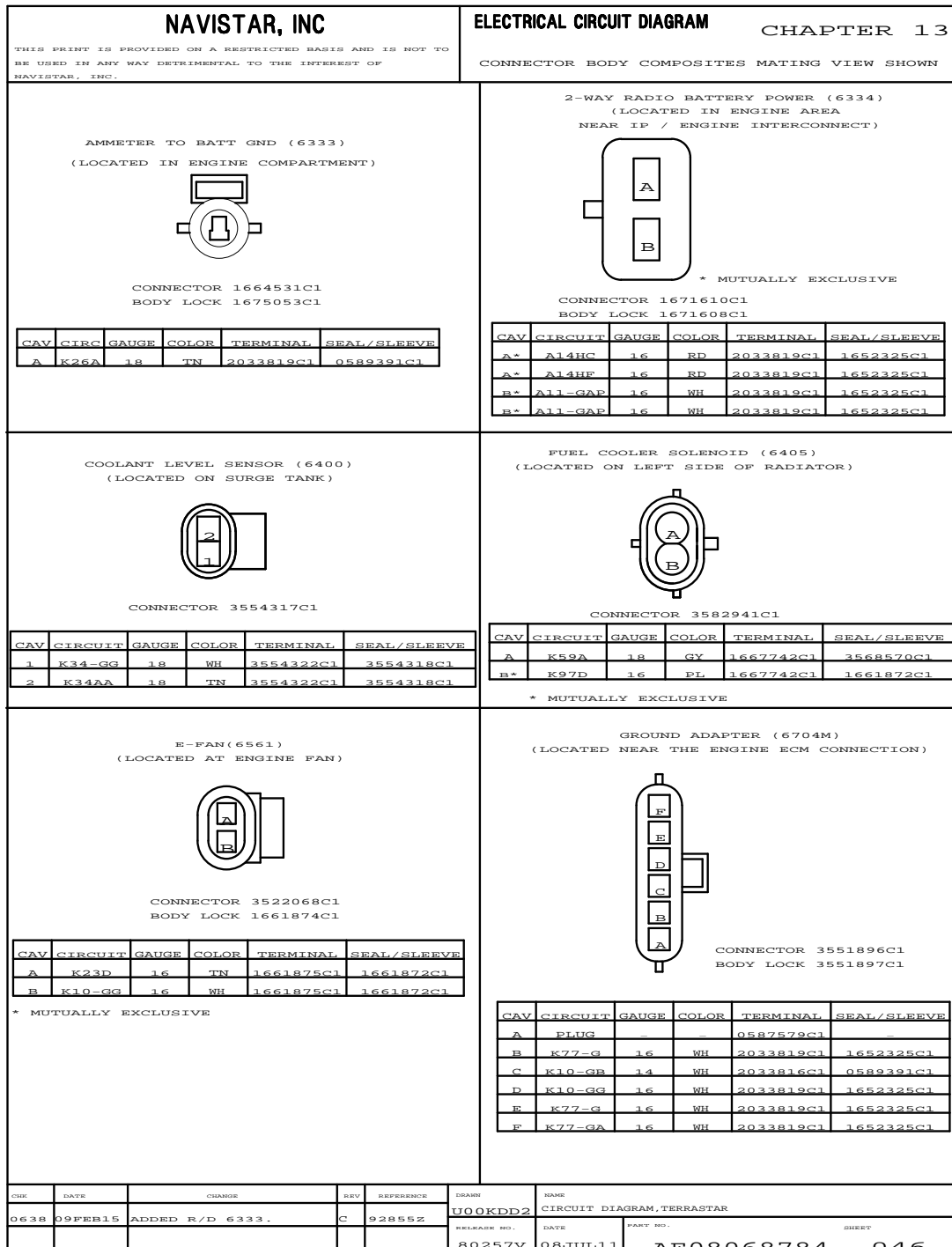


Figure 209 Connector Body Composites (6333 / 6334 / 6400 / 6405 / 6561 / 6704M)